



US00D475123S

(12) **United States Design Patent**  
**Citterio**

(10) **Patent No.:** **US D475,123 S**

(45) **Date of Patent:** **\*\* May 27, 2003**

(54) **SANITARY FAUCET**

(75) Inventor: **Antonio Citterio**, Milan (IT)

(73) Assignee: **Hansgrohe AG**, Schiltach (DE)

(\*\*) Term: **14 Years**

(21) Appl. No.: **29/166,692**

(22) Filed: **Sep. 3, 2002**

(30) **Foreign Application Priority Data**

Mar. 5, 2002 (DE) ..... 402 01 868

(51) **LOC (7) Cl.** ..... **23-01**

(52) **U.S. Cl.** ..... **D23/241**

(58) **Field of Search** ..... D23/238-243,  
D23/250-257; 4/675-678; 137/801

(56) **References Cited**

**U.S. PATENT DOCUMENTS**

D86,672 S \* 4/1932 Ferguson ..... D23/250  
D87,758 S \* 9/1932 Pope ..... D23/241  
D106,319 S \* 10/1937 Morgan ..... D23/241  
D265,229 S \* 6/1982 Paul ..... D23/242

D267,110 S \* 11/1982 Arnolds ..... D23/242  
D297,756 S \* 9/1988 Paul ..... D23/242  
D297,758 S \* 9/1988 Paul ..... D23/252  
D461,539 S \* 8/2002 Gottwald ..... D23/255

\* cited by examiner

*Primary Examiner*—Louis S. Zarfes

*Assistant Examiner*—Gregory Andoll

(74) *Attorney, Agent, or Firm*—Duane Morris, LLP

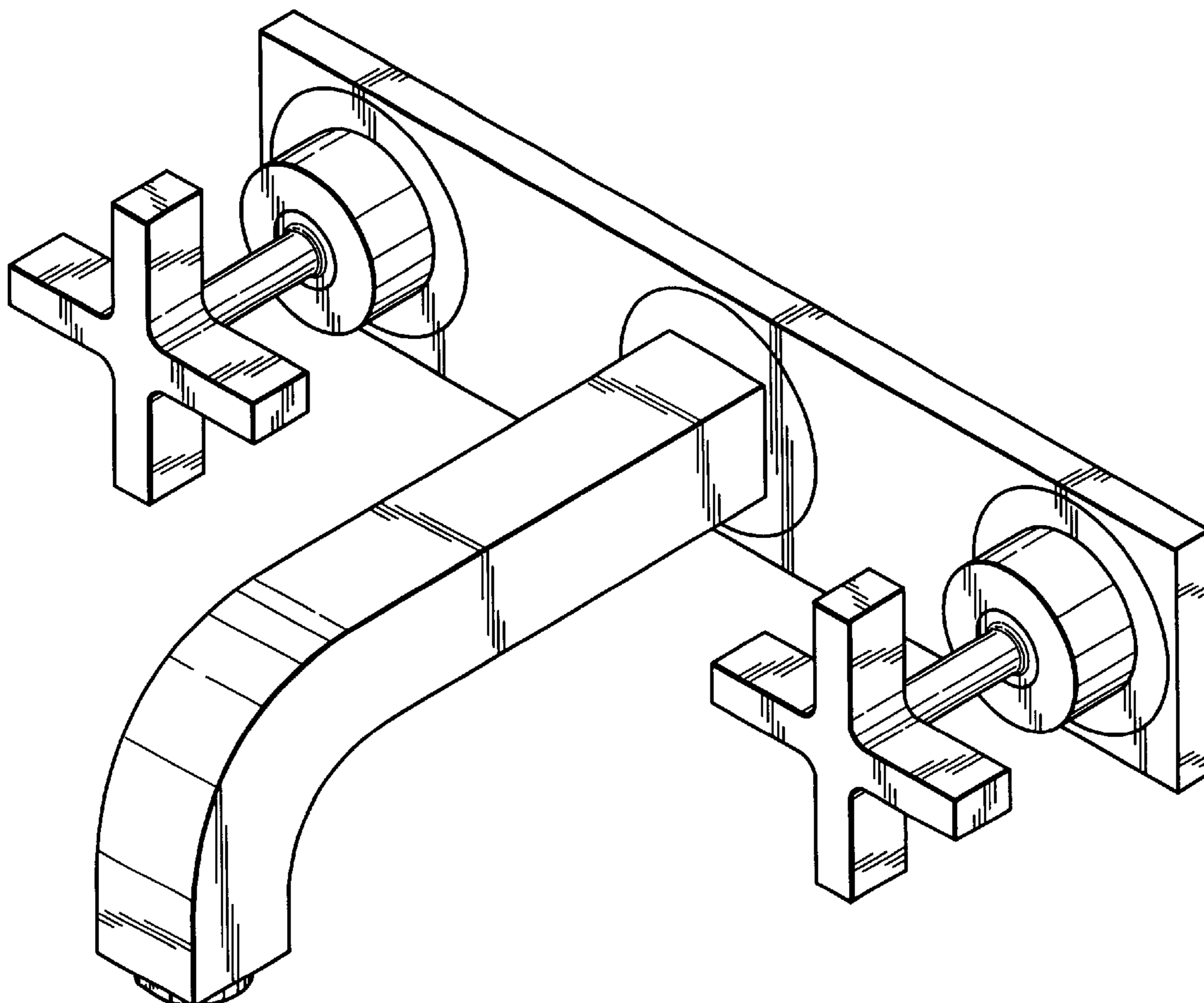
(57) **CLAIM**

The ornamental design for a sanitary faucet, as shown and described.

**DESCRIPTION**

FIG. 1: is a side perspective view of the sanitary faucet showing my new design;  
FIG. 2: is a side elevation view thereof, the opposite side being a mirror image;  
FIG. 3: is a top plan view thereof;  
FIG. 4: is a front elevation view thereof;  
FIG. 5: is a rear elevation view thereof; and,  
FIG. 6: is a bottom plan view thereof.

**1 Claim, 3 Drawing Sheets**



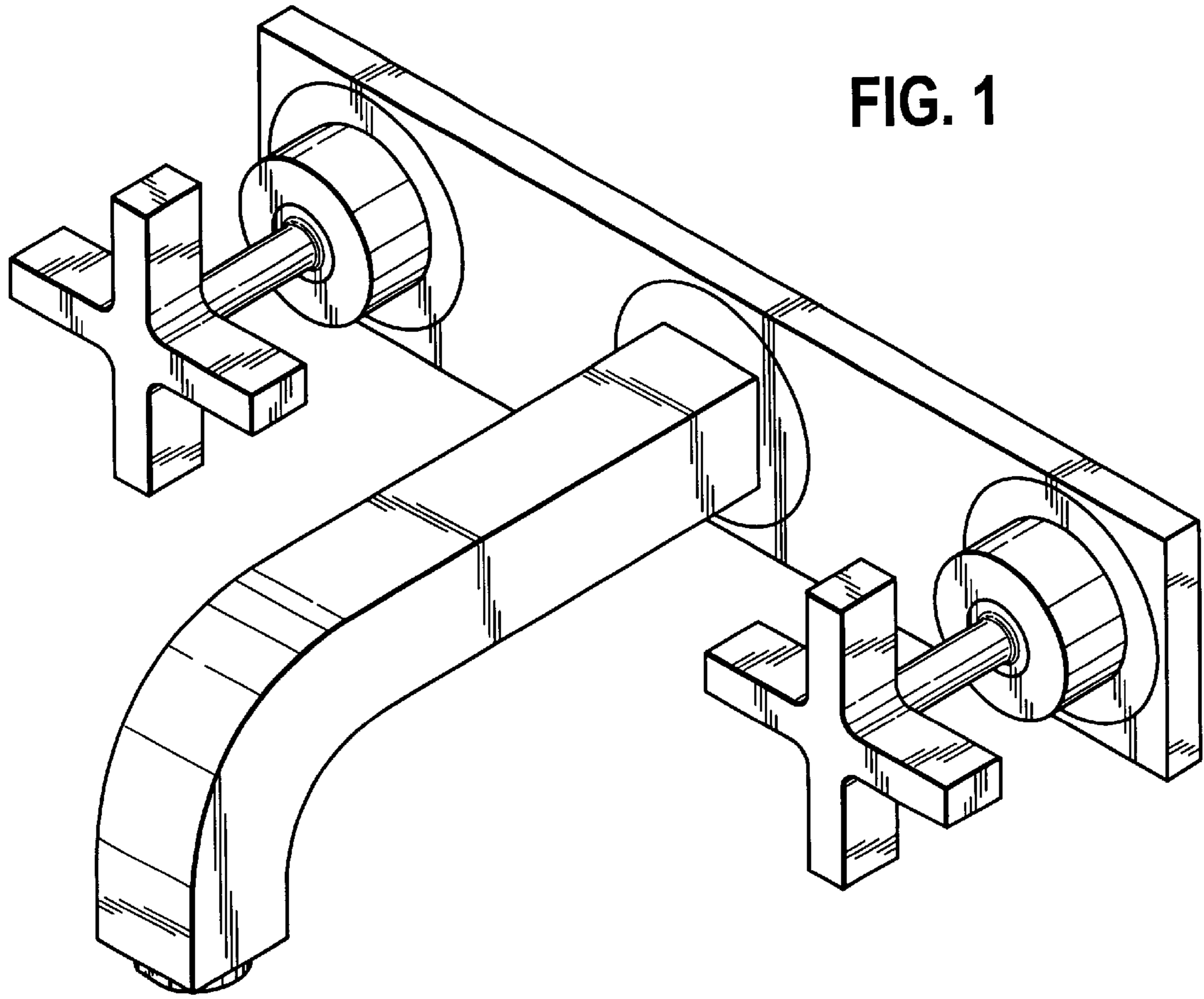


FIG. 1

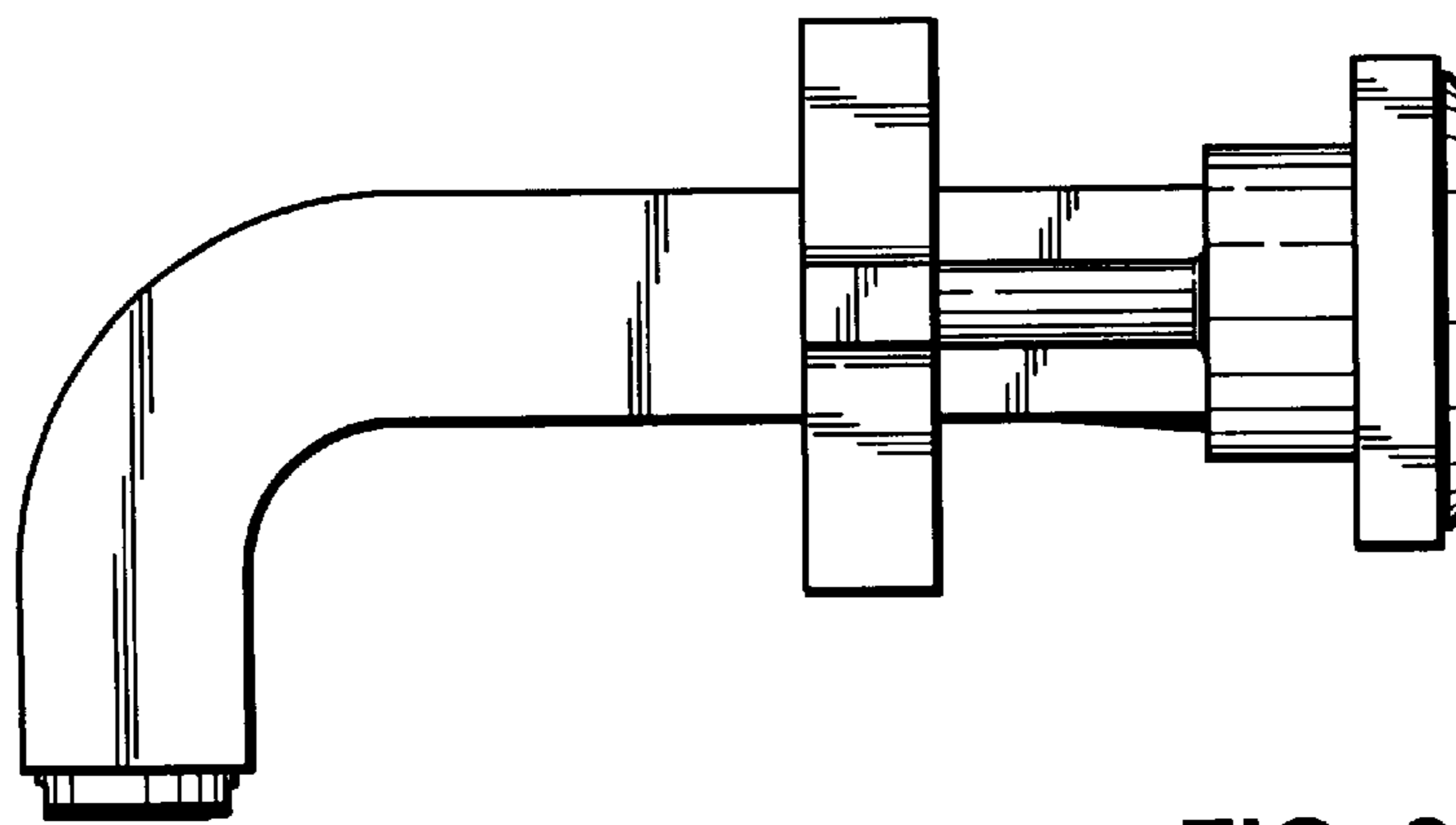
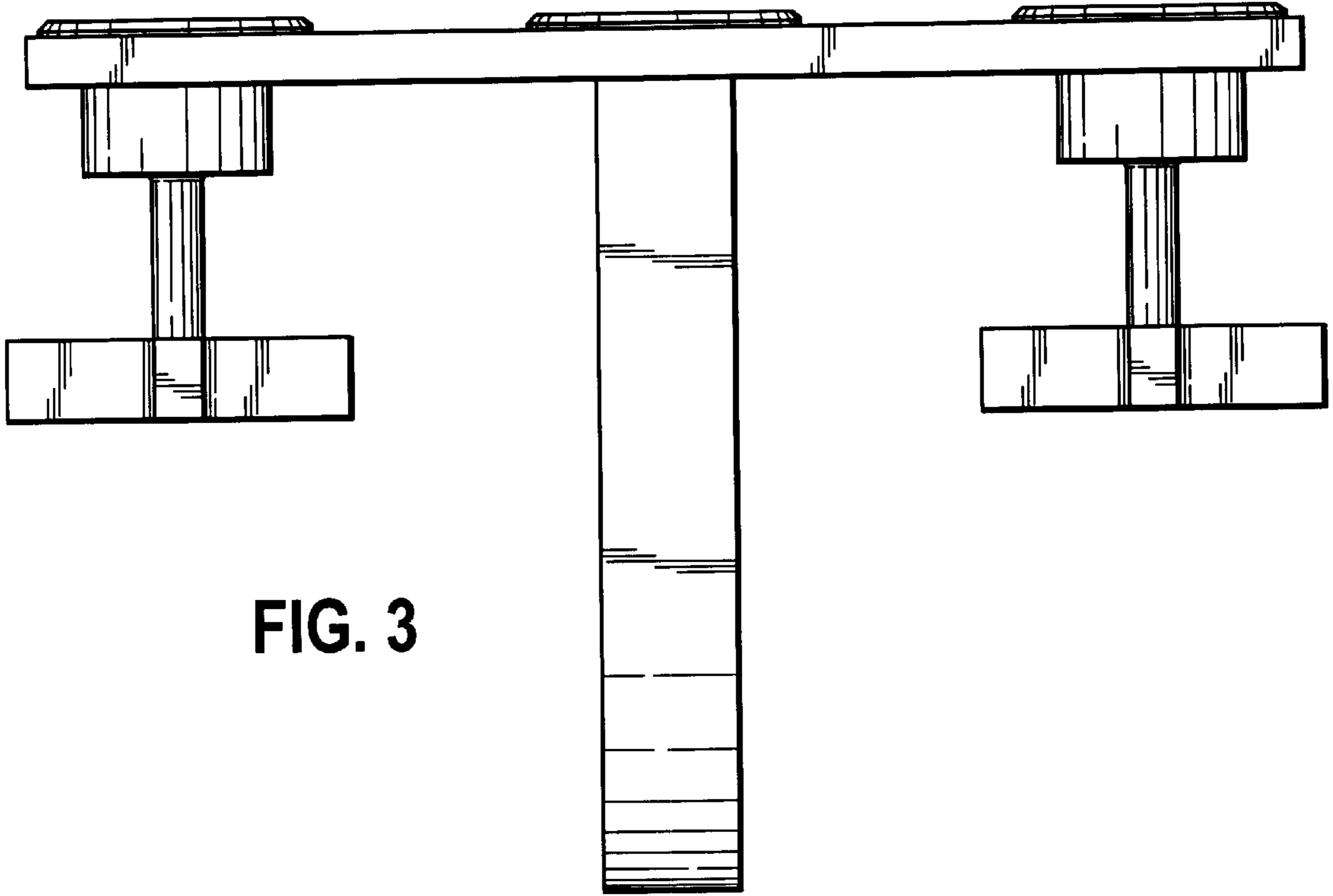
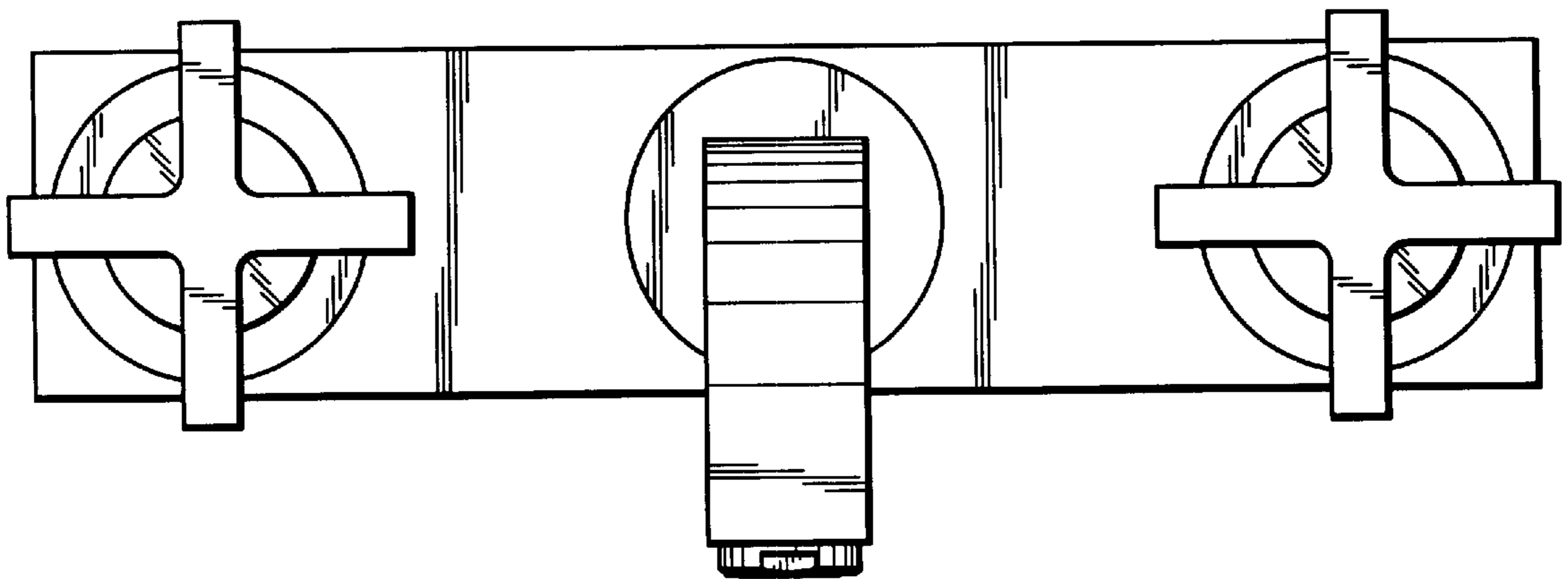


FIG. 2



**FIG. 3**



**FIG. 4**

FIG. 5

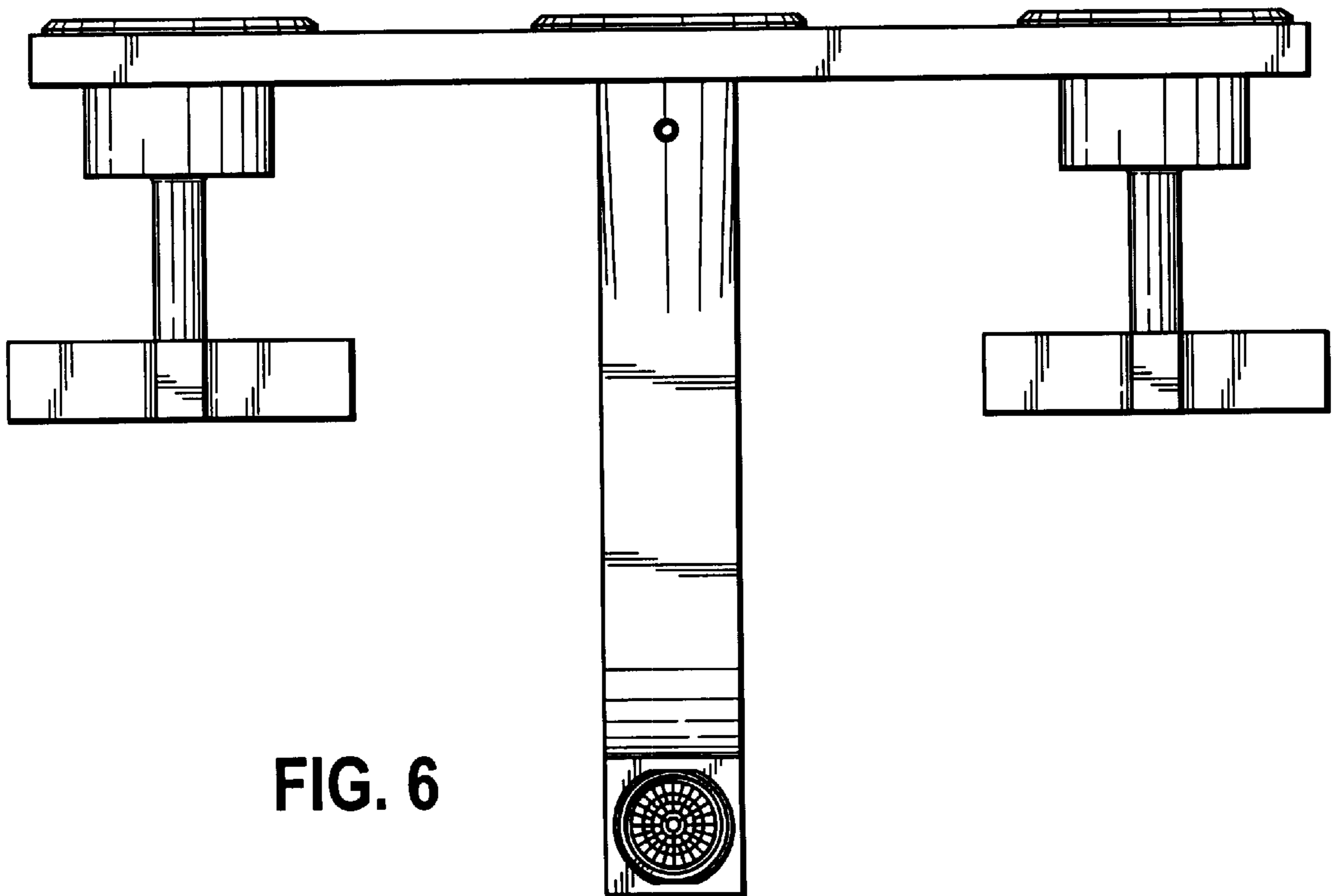
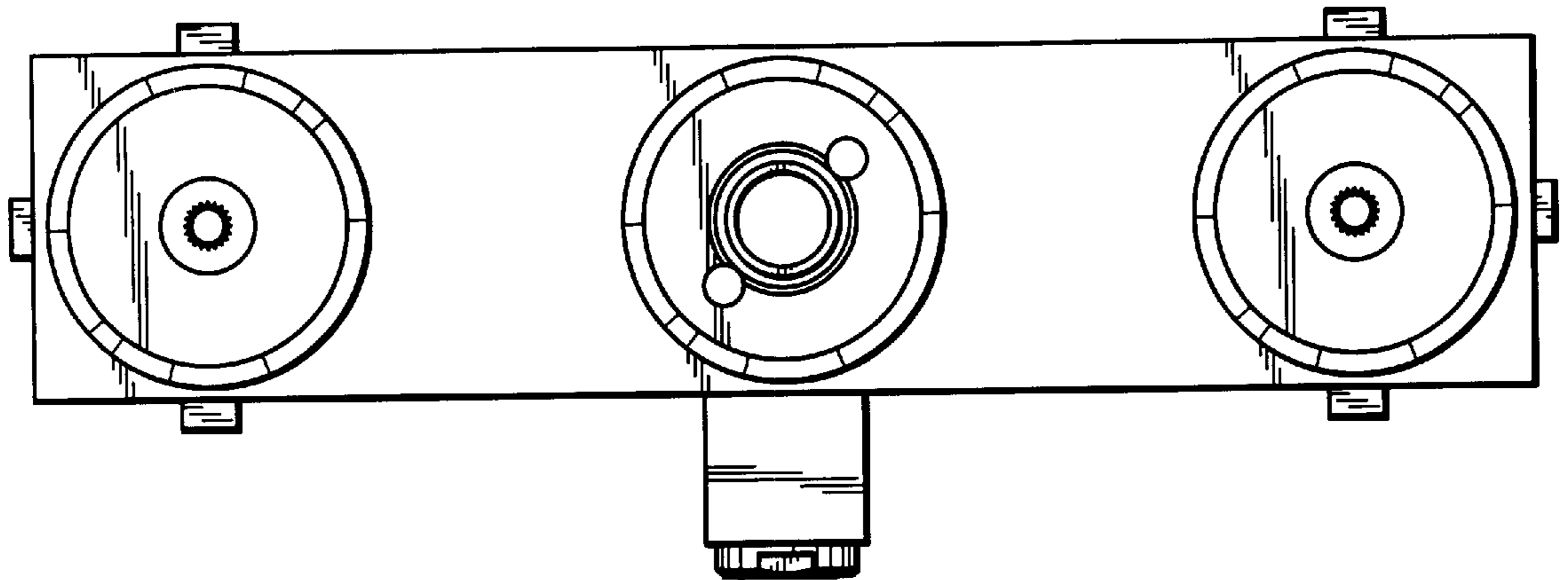


FIG. 6