



US00D475122S

(12) **United States Design Patent**
Kuo

(10) **Patent No.:** **US D475,122 S**

(45) **Date of Patent:** **** May 27, 2003**

(54) **GARDENING SPRAY GUN**

D462,741 S * 9/2002 Guo D23/226
D466,187 S * 11/2002 Kuo D23/226

(76) Inventor: **Wen-Li Kuo**, 235 Chung - Ho, Box
8-24, Taipei (TW)

* cited by examiner

(**) Term: **14 Years**

Primary Examiner—Robin V. Taylor

(21) Appl. No.: **29/167,925**

(57) **CLAIM**

(22) Filed: **Sep. 19, 2002**

The ornamental design for a gardening spray gun, as shown
and described.

(30) **Foreign Application Priority Data**

DESCRIPTION

Mar. 20, 2002 (TW) 91301293

FIG. 1 is a right side view of the gardening spray gun
showing my new design;
FIG. 2 is a left side view thereof;
FIG. 3 is a front elevational view thereof;
FIG. 4 is a rear elevational view thereof;
FIG. 5 is a top plan view thereof; and
FIG. 6 is a bottom plan view thereof; and,
FIG. 7 is a perspective view thereof.

(51) **LOC (7) Cl.** **23-01**

(52) **U.S. Cl.** **D23/226**

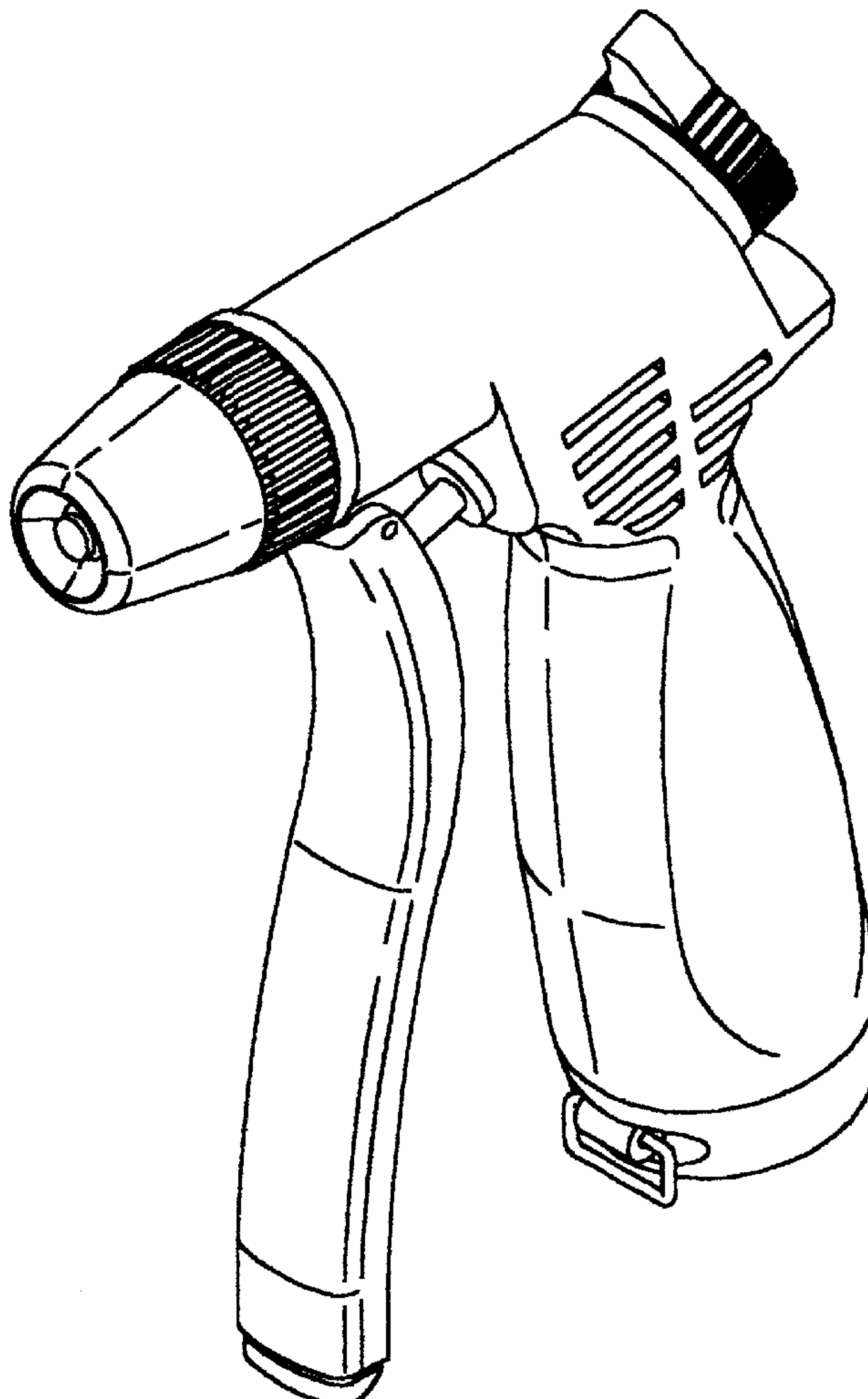
(58) **Field of Search** D23/213, 223,
D23/226; 239/525-527

(56) **References Cited**

U.S. PATENT DOCUMENTS

D453,548 S * 2/2002 Wang D23/226

1 Claim, 4 Drawing Sheets



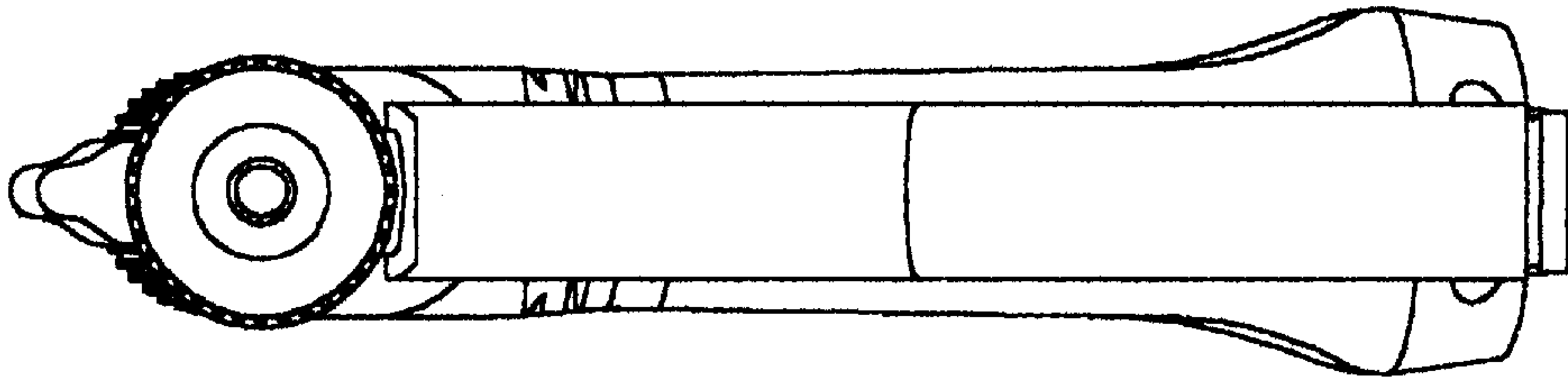


FIG. 3

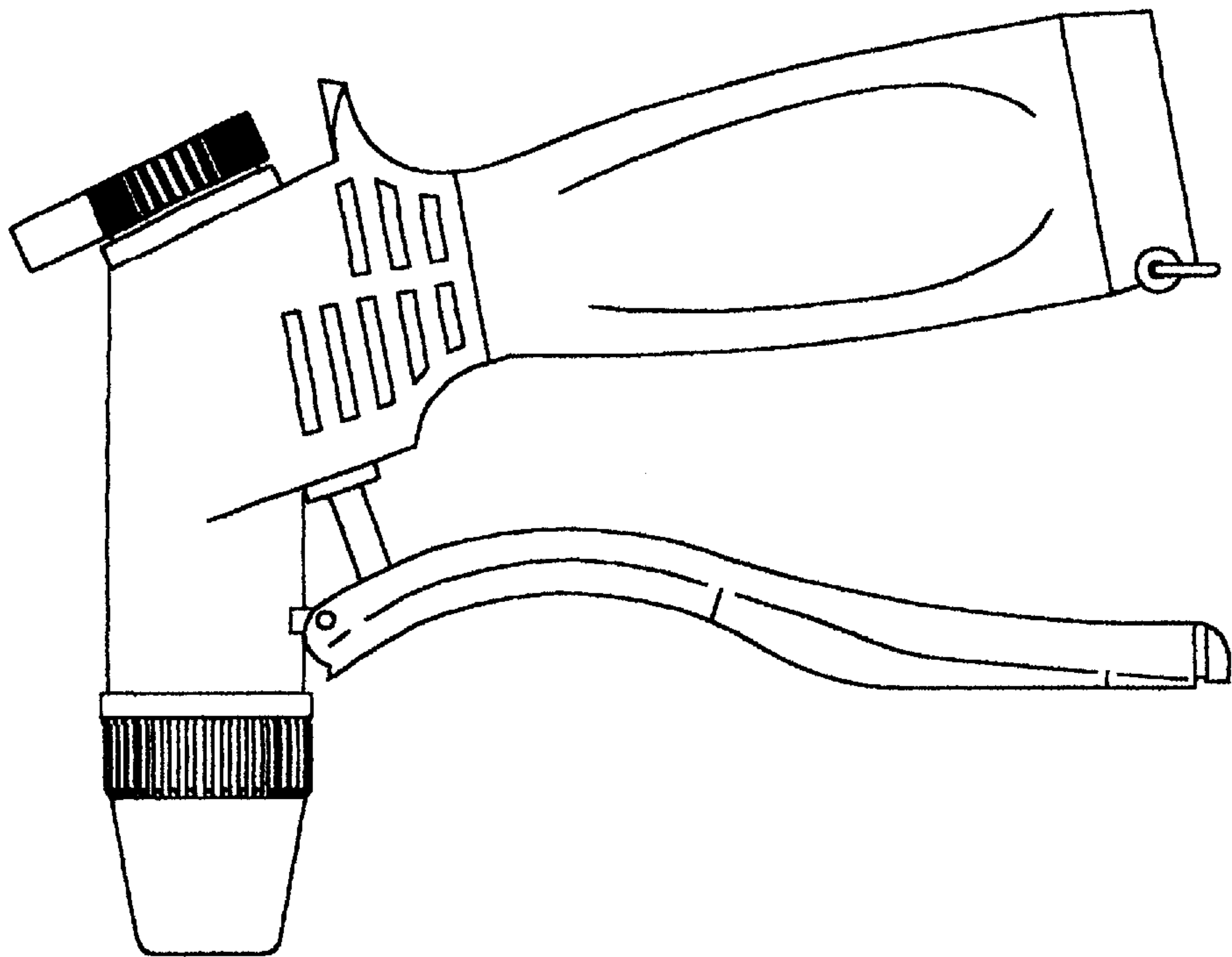


FIG. 1

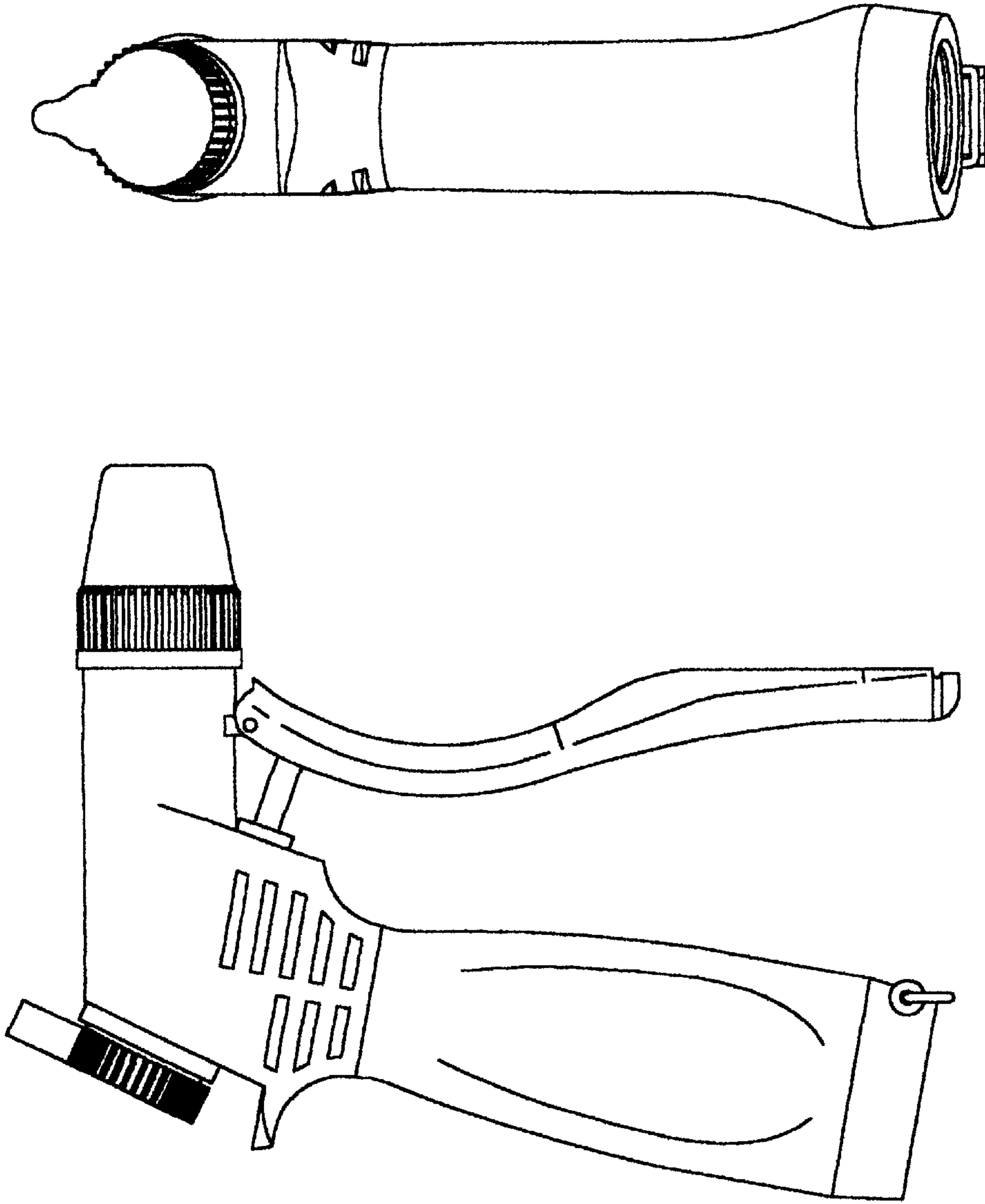


FIG. 2

FIG. 4

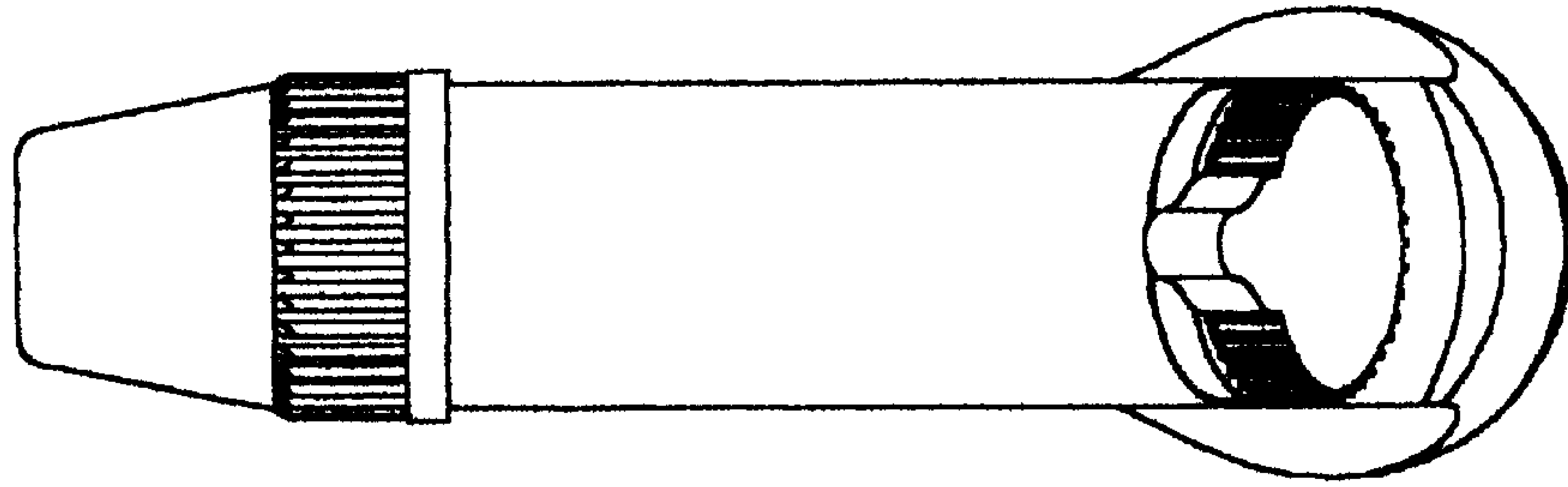


FIG. 5

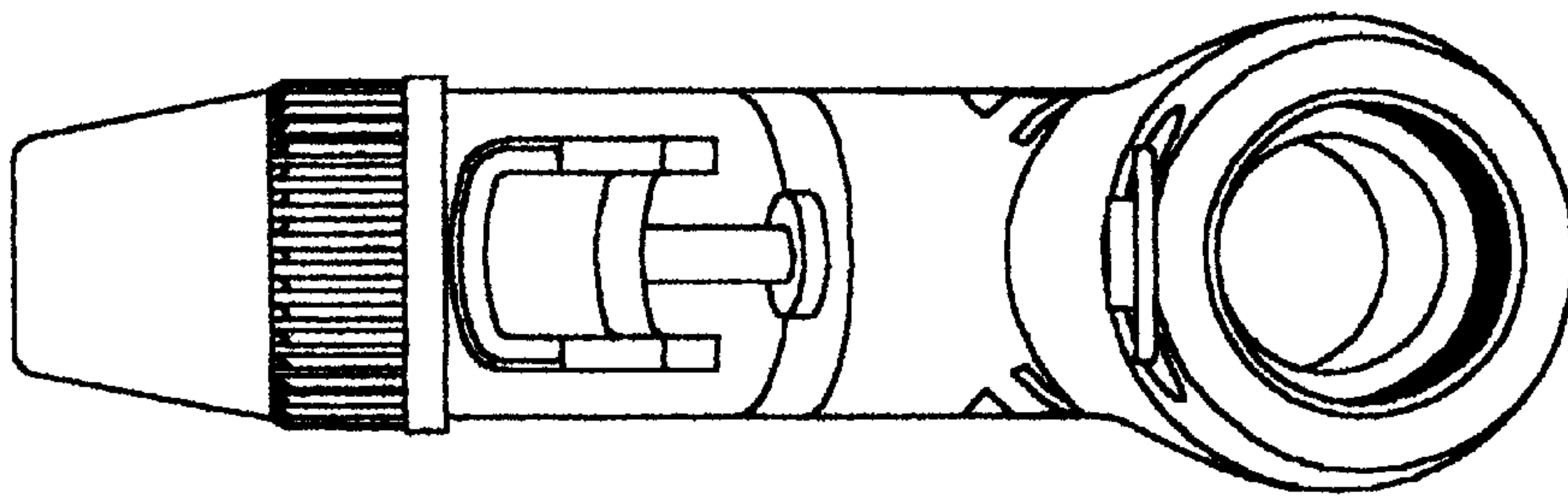


FIG. 6

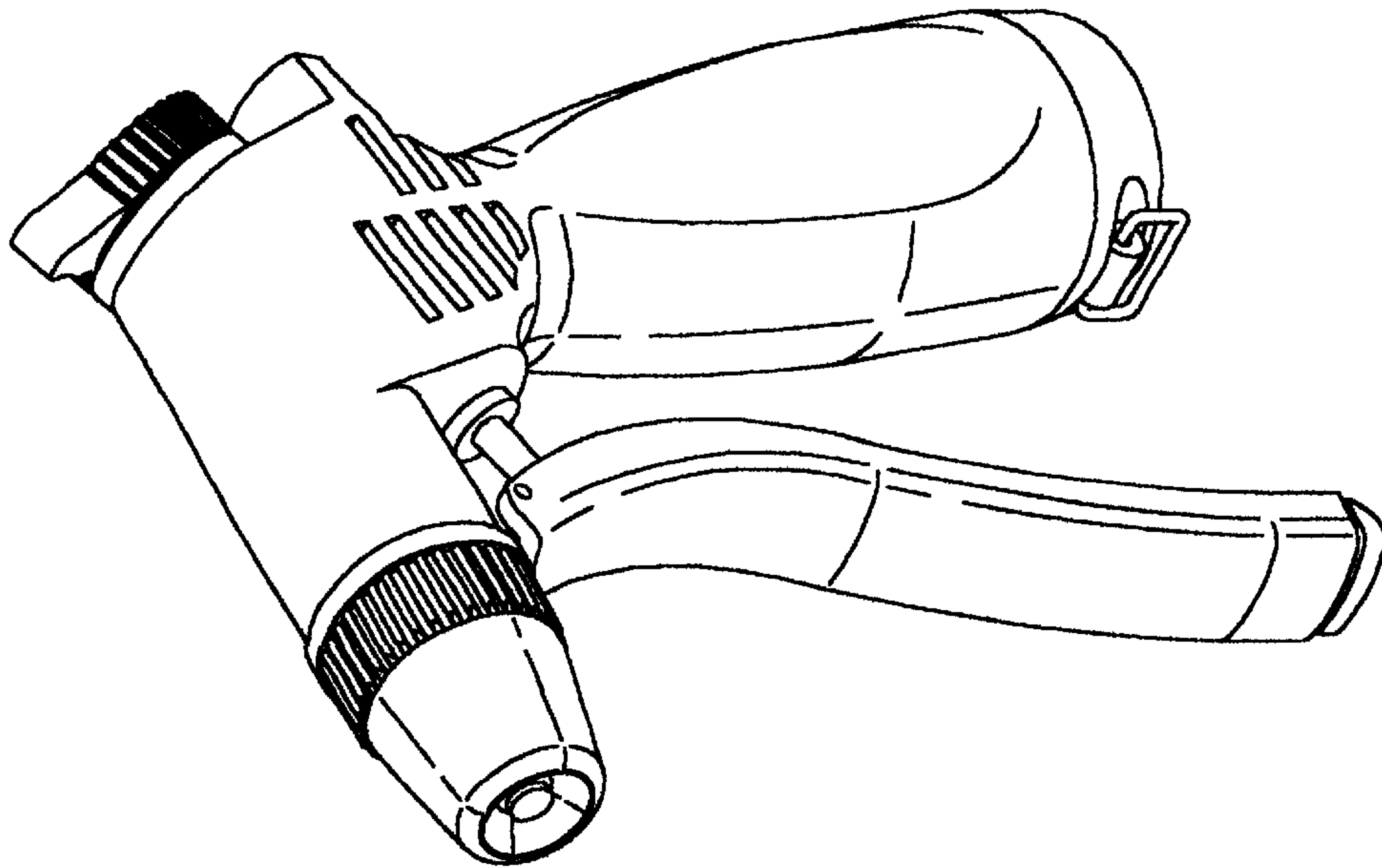


FIG. 7