



US00D475118S

(12) **United States Design Patent**  
**Legeay**

(10) **Patent No.:** **US D475,118 S**

(45) **Date of Patent:** **\*\* May 27, 2003**

(54) **LAVATORY CLEANING DEVICE**

(75) **Inventor:** **Vincent Legeay, Guichen (FR)**

(73) **Assignee:** **Reckitt Benckiser, Inc., Wayne, NJ (US)**

(\*\*) **Term:** **14 Years**

(21) **Appl. No.:** **29/160,915**

(22) **Filed:** **May 16, 2002**

(30) **Foreign Application Priority Data**

Nov. 16, 2001	(GB)	.....	2106319
Apr. 11, 2002	(GB)	.....	3002864
Apr. 11, 2002	(GB)	.....	3002865
Apr. 11, 2002	(GB)	.....	3002866

(51) **LOC (7) Cl.** ..... **23-01**

(52) **U.S. Cl.** ..... **D23/208**

(58) **Field of Search** ..... D23/208; 4/227.1,  
4/227.4, 227.5, 231

(56) **References Cited**

**U.S. PATENT DOCUMENTS**

3,668,717	A	*	6/1972	Curran	.....	4/222
D273,607	S	*	4/1984	Joyaux et al.	.....	D23/208

4,805,246	A	*	2/1989	De Vargas et al.	.....	4/231
D307,934	S	*	5/1990	Verebelyi	.....	D23/208
D387,848	S	*	12/1997	Thompson et al.	.....	D23/208
6,389,610	B1	*	5/2002	Hautmann et al.	.....	4/231

\* cited by examiner

*Primary Examiner*—Robin V. Taylor  
(74) *Attorney, Agent, or Firm*—Akin, Gump, Strauss, Hauer & Feld, L.L.P.

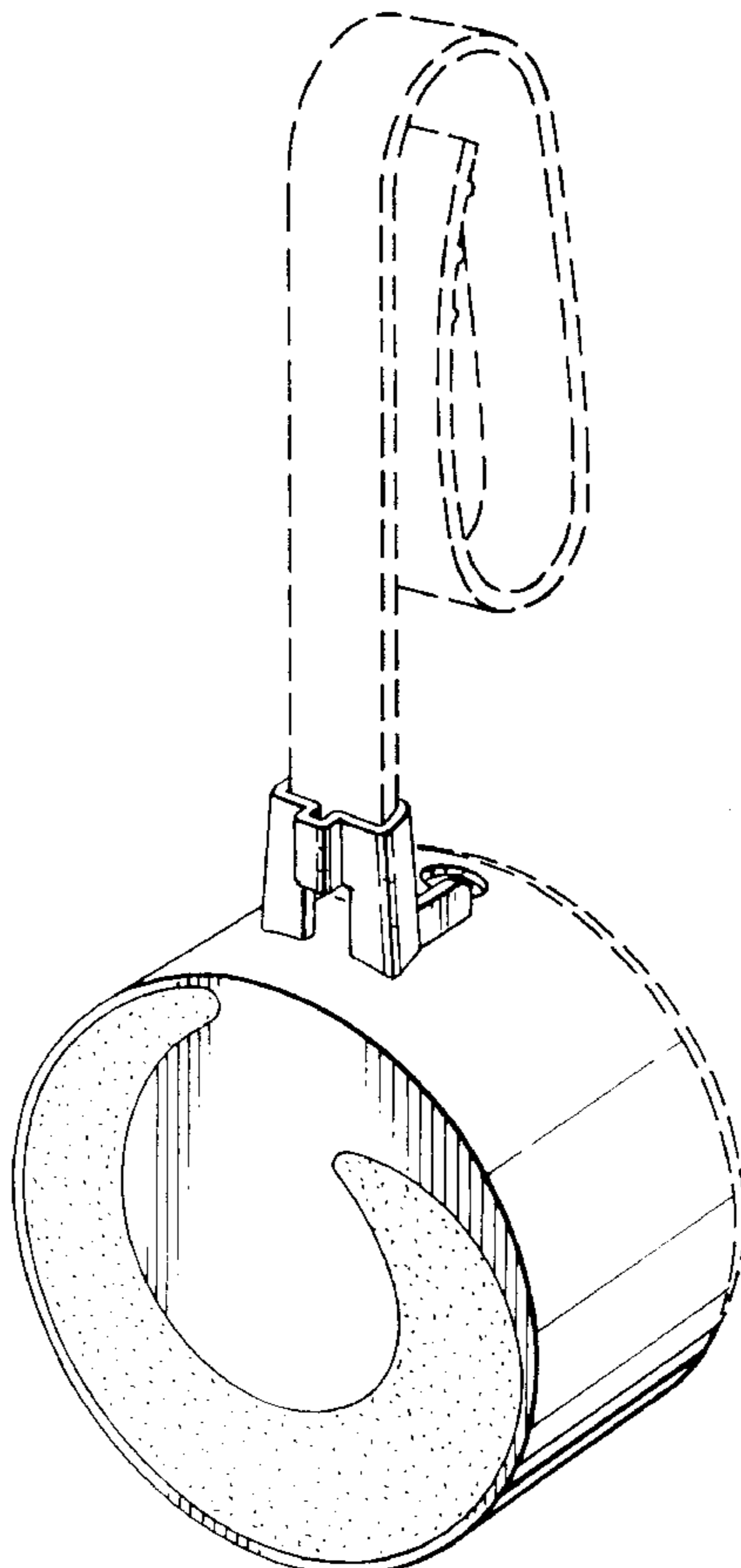
(57) **CLAIM**

The ornamental design for a lavatory cleaning device, as shown and described.

**DESCRIPTION**

FIG. 1 is a front perspective view of a lavatory cleaning device in accordance with my new design;  
FIG. 2 is a front elevational view thereof;  
FIG. 3 is a right side elevational view thereof;  
FIG. 4 is a top plan view thereof;  
FIG. 5 is a rear elevational view thereof;  
FIG. 6 is a left side elevational view thereof; and,  
FIG. 7 is a bottom plan view thereof.  
The broken lines in the figures are for illustrative purposes only and form no part of the claimed design.

**1 Claim, 3 Drawing Sheets**



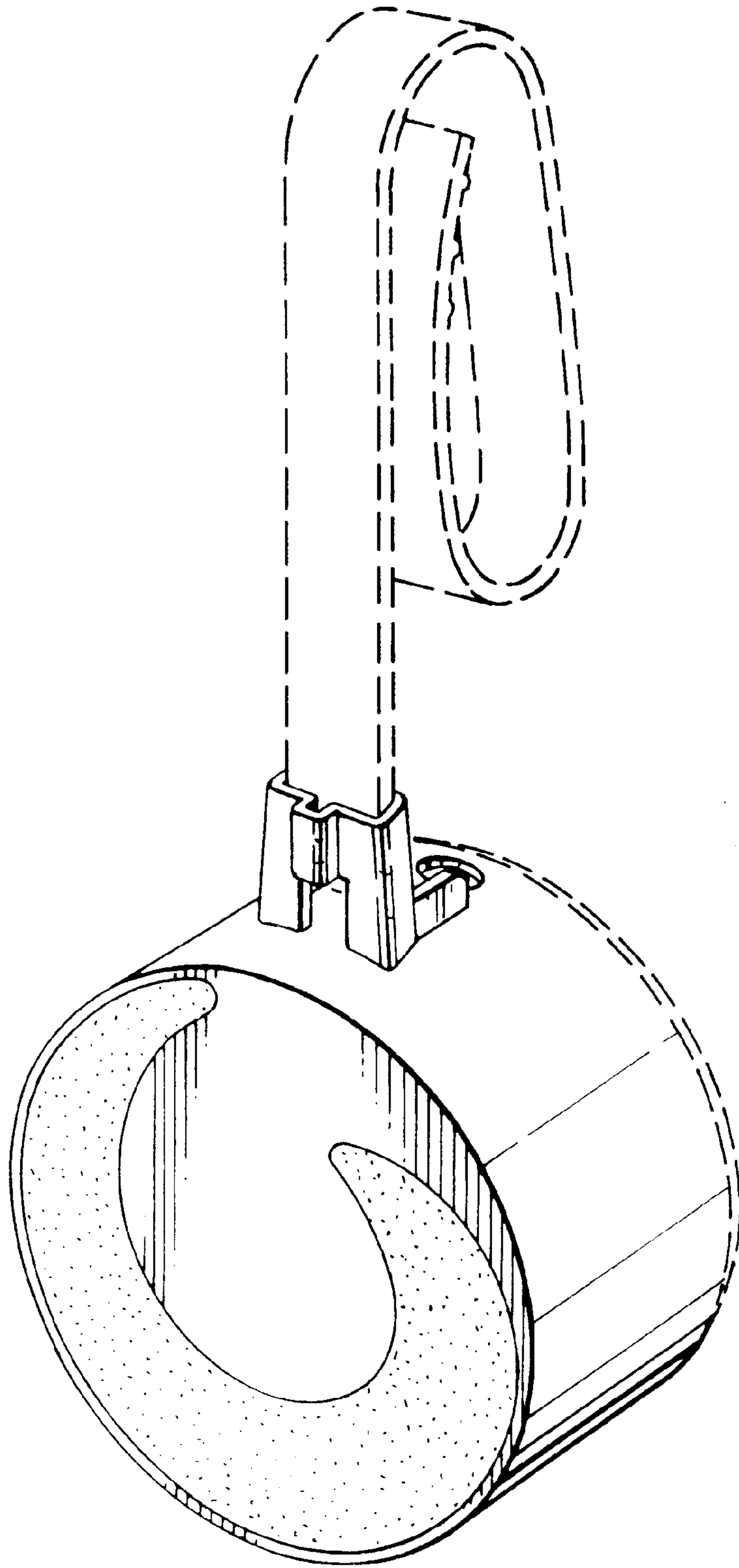


Fig. 1.

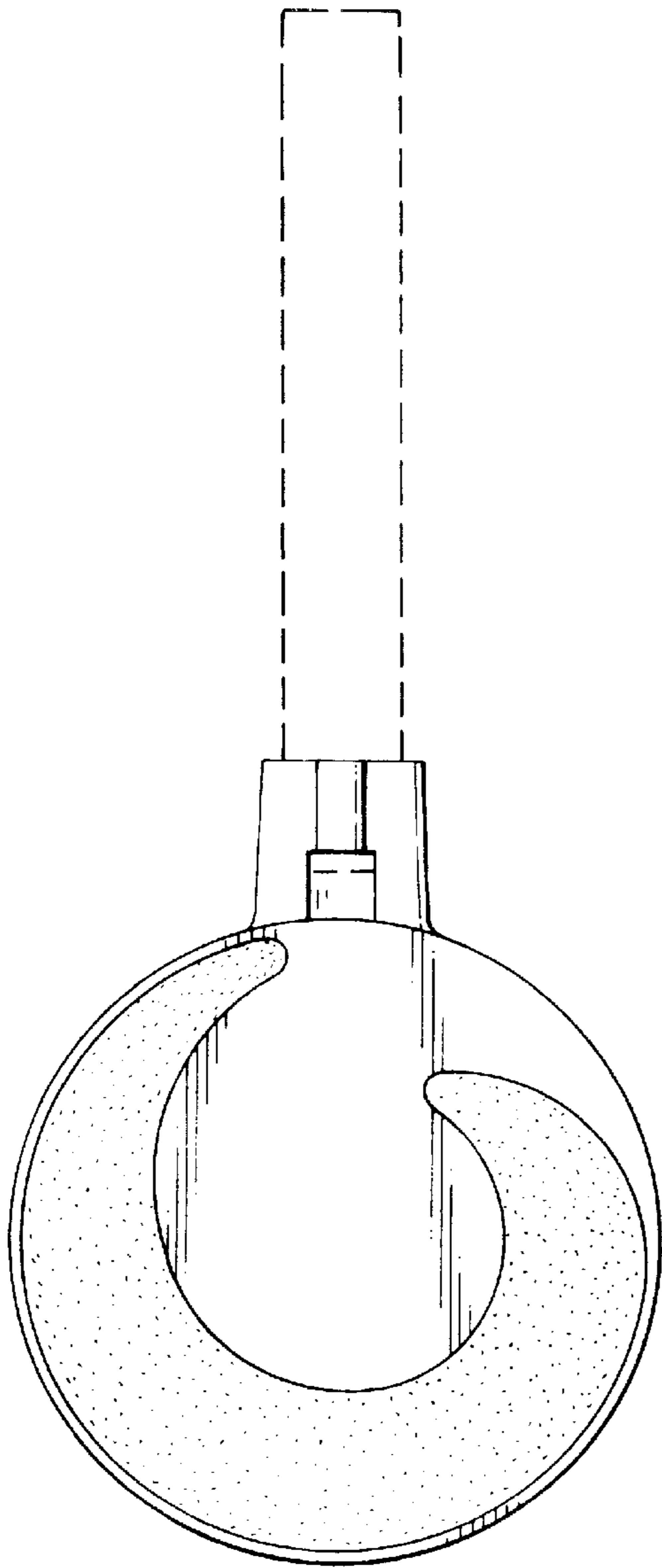


Fig.2.

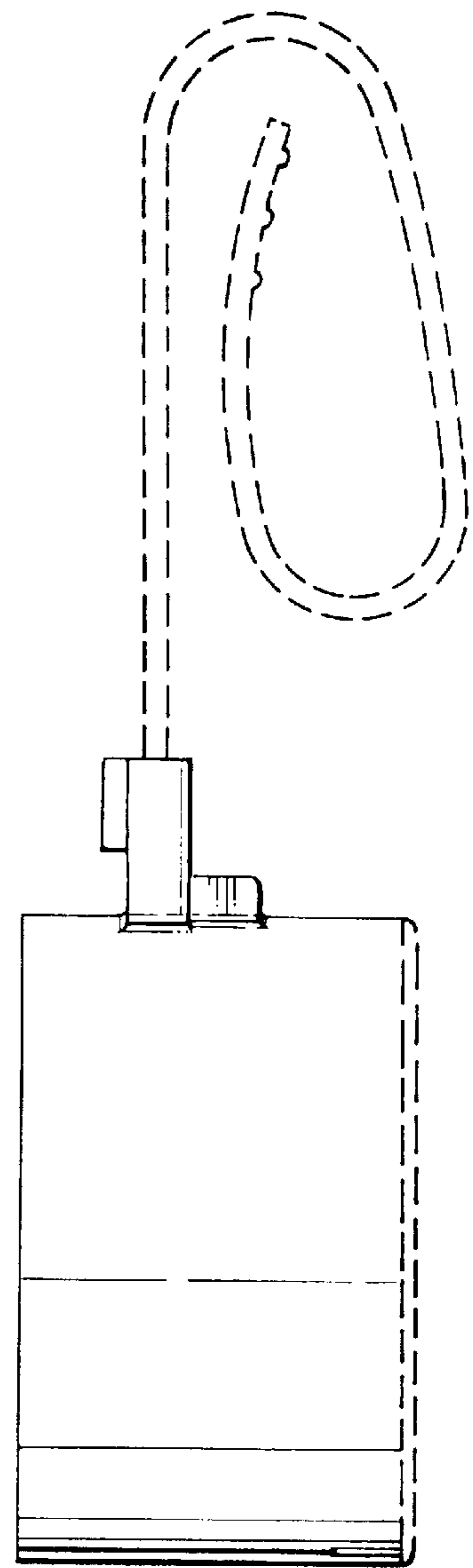


Fig.3.

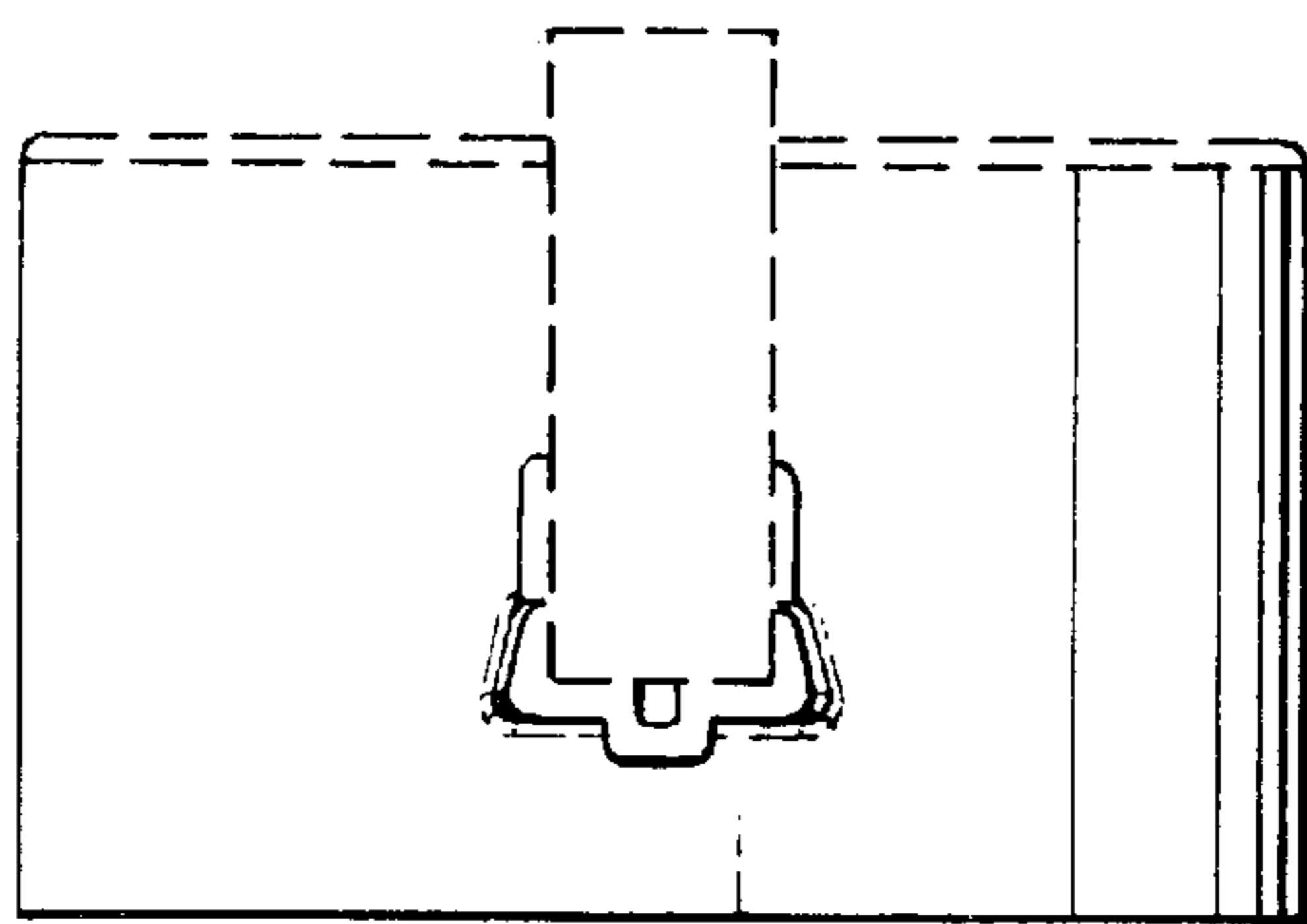


Fig.4.

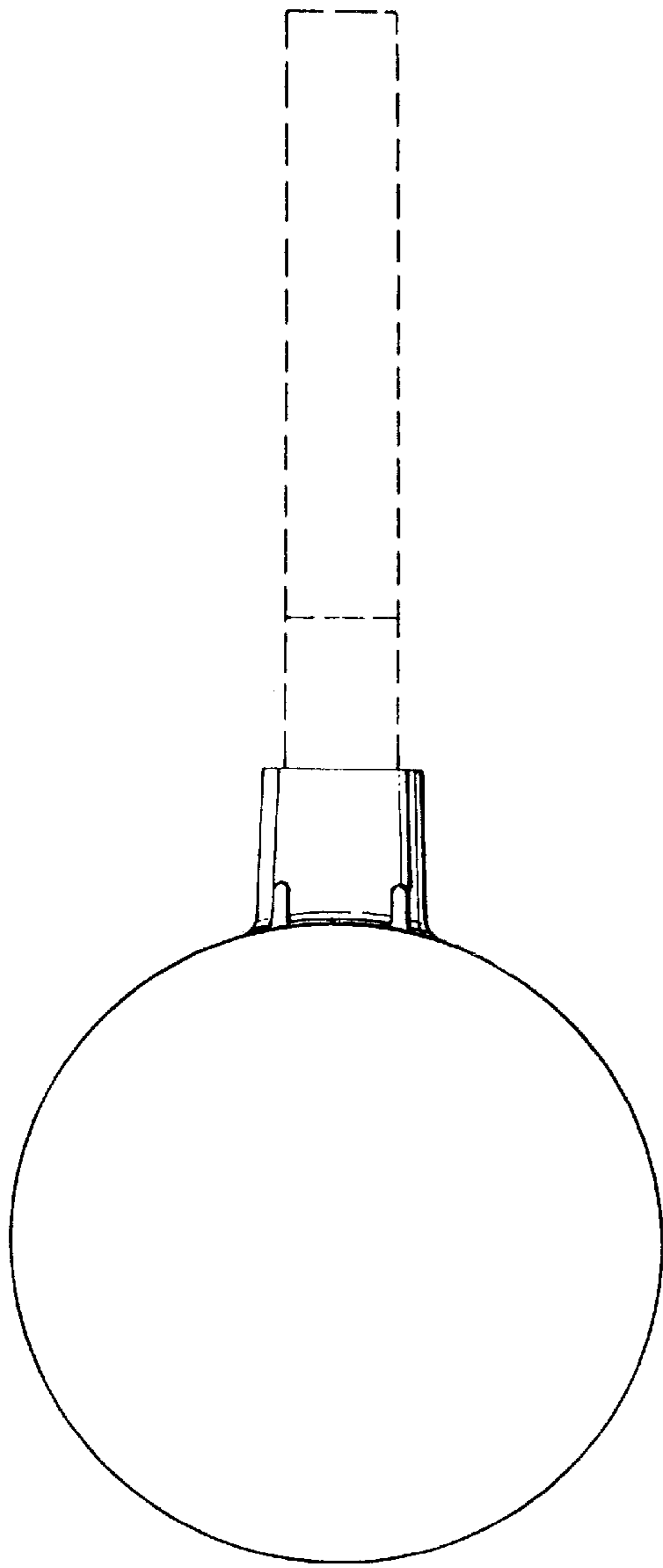


Fig.5.

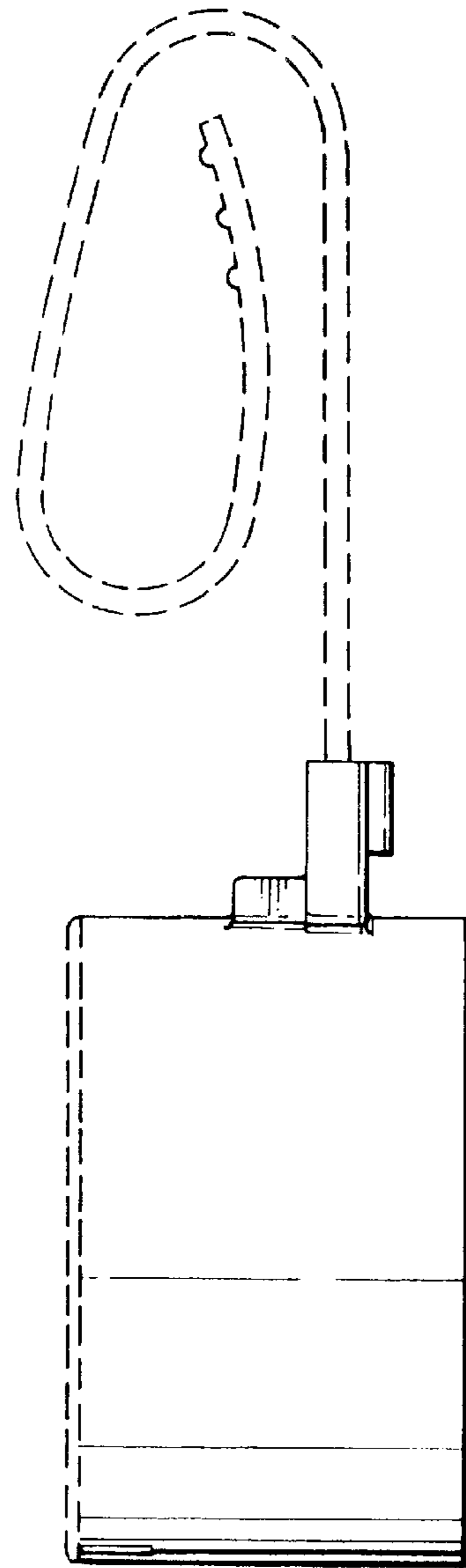


Fig.6.

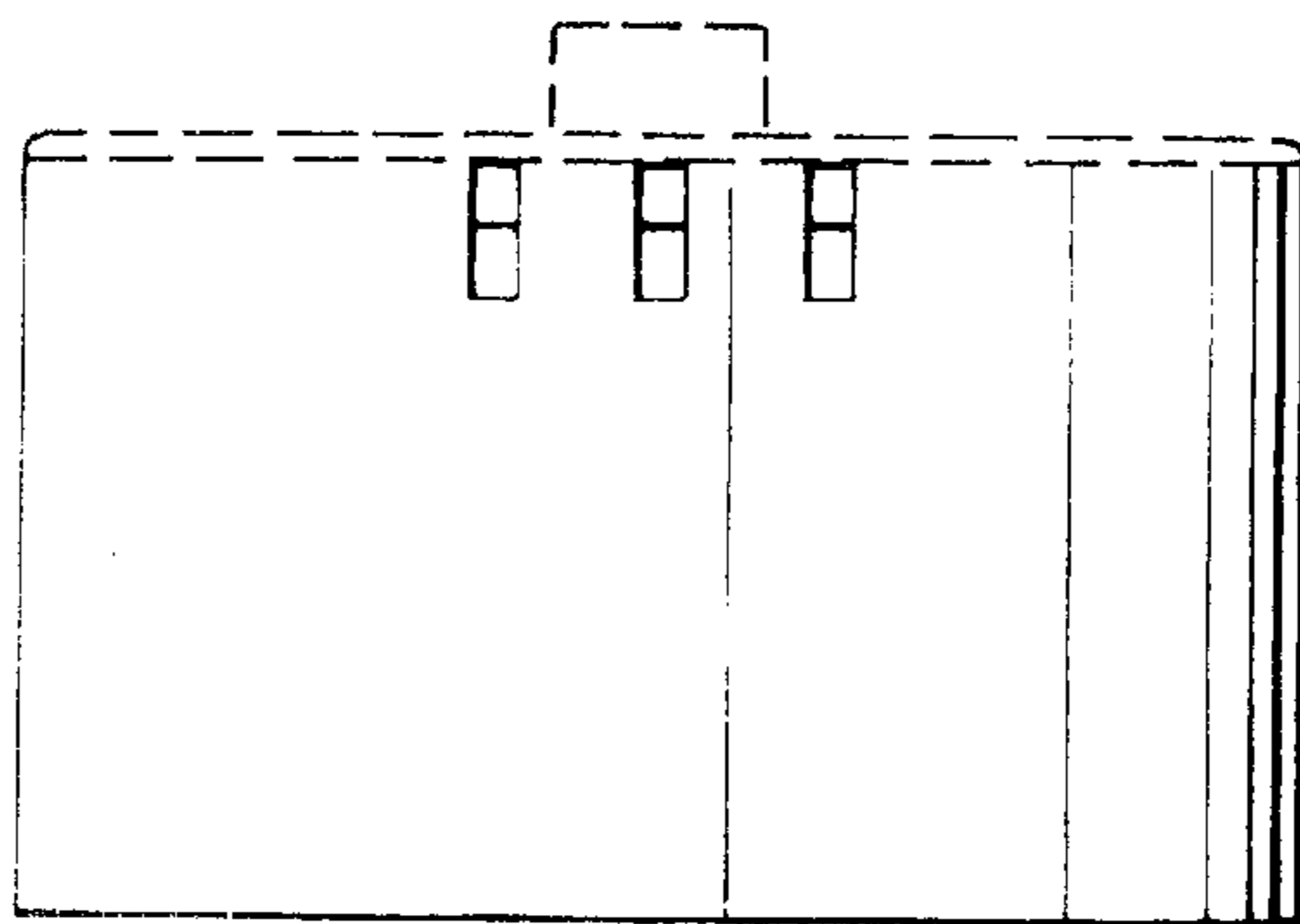


Fig.7.