



US00D475109S

(12) **United States Design Patent**
Washburn

(10) **Patent No.:** **US D475,109 S**

(45) **Date of Patent:** **** May 27, 2003**

(54) **ANNULAR ICE SKATE BLADE**

(76) **Inventor:** **Gregory S. Washburn**, 10525 Nesbitt
Ave. South, Bloomington, MN (US)
55437

5,560,625 A 10/1996 Kuykendall
5,901,970 A 5/1999 Kenshaw
D417,713 S * 12/1999 Priester D21/761
6,019,378 A 2/2000 Cushing

(**) **Term:** **14 Years**

* cited by examiner

Primary Examiner—Raphael Barkai

(21) **Appl. No.:** **29/149,713**

(57) **CLAIM**

(22) **Filed:** **Oct. 16, 2001**

The ornamental design of the annular ice skate blade, as shown and described.

(51) **LOC (7) Cl.** **21-02**

DESCRIPTION

(52) **U.S. Cl.** **D21/761; D21/771; D21/779**

(58) **Field of Search** D21/760-765,
D21/771, 779; 280/841, 11.12, 11.19, 11.201-11.233,
11.24, 11.25; 301/5.302, 5.308

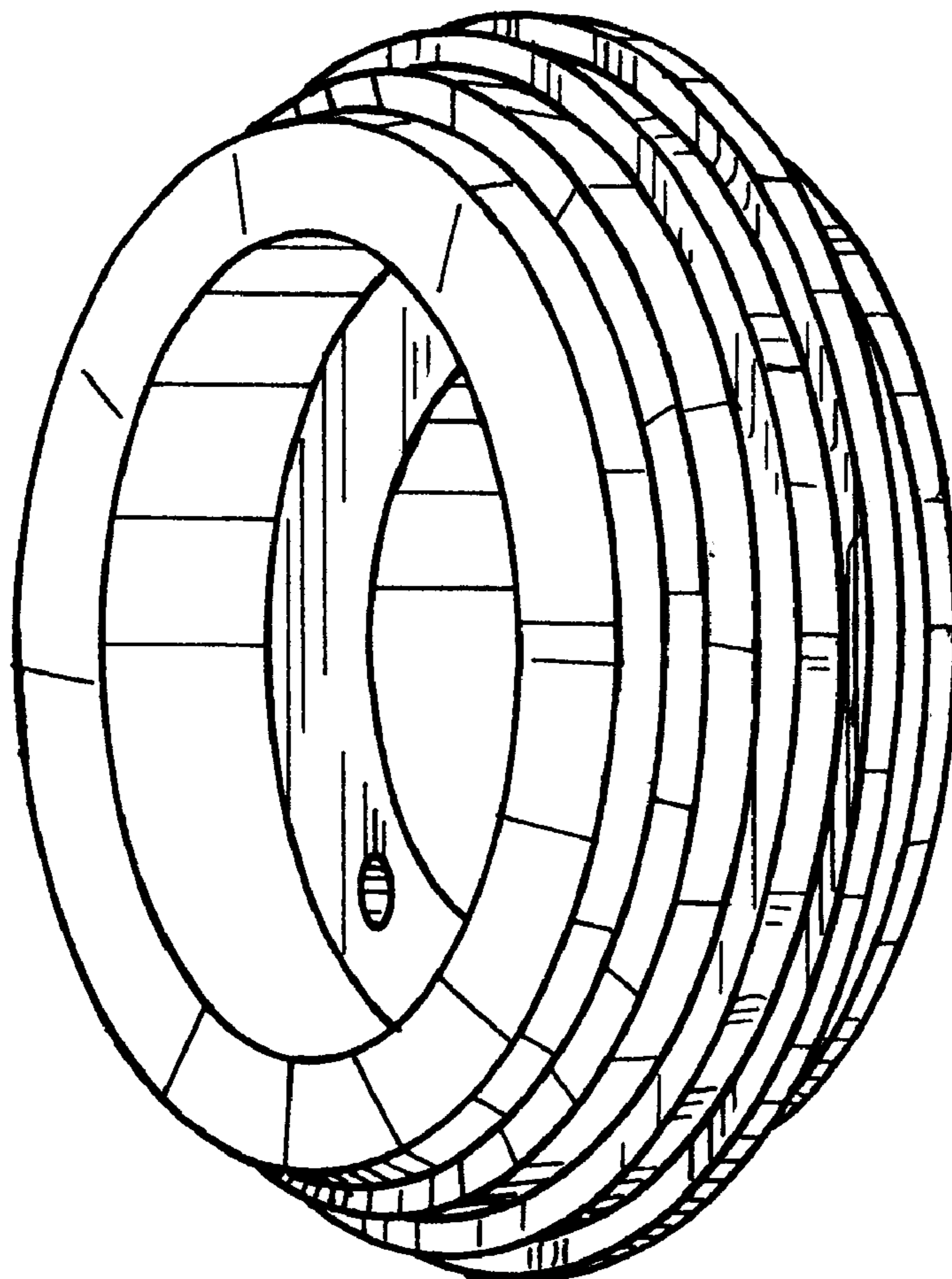
FIG. 1 is a perspective view of the annular ice skate blade of my new design;
FIG. 2 is a front elevational view thereof;
FIG. 3 is a rear elevational view thereof;
FIG. 4 is a top plan view thereof, the opposite plan view and end elevational view are identical to FIG. 4;
FIG. 5 is a sectional view taken along line 5-5 of FIG. 2;
and,
FIG. 6 is an enlarged sectional view of an outer portion of the blade of FIG. 5.

(56) **References Cited**

U.S. PATENT DOCUMENTS

1,489,197 A * 4/1924 Daverkosen et al.
3,693,988 A 9/1972 Steinhiser
4,618,158 A 10/1986 Liberkowski
5,411,320 A * 5/1995 Alderman et al. 301/5.302
D373,807 S * 9/1996 Swande

1 Claim, 2 Drawing Sheets



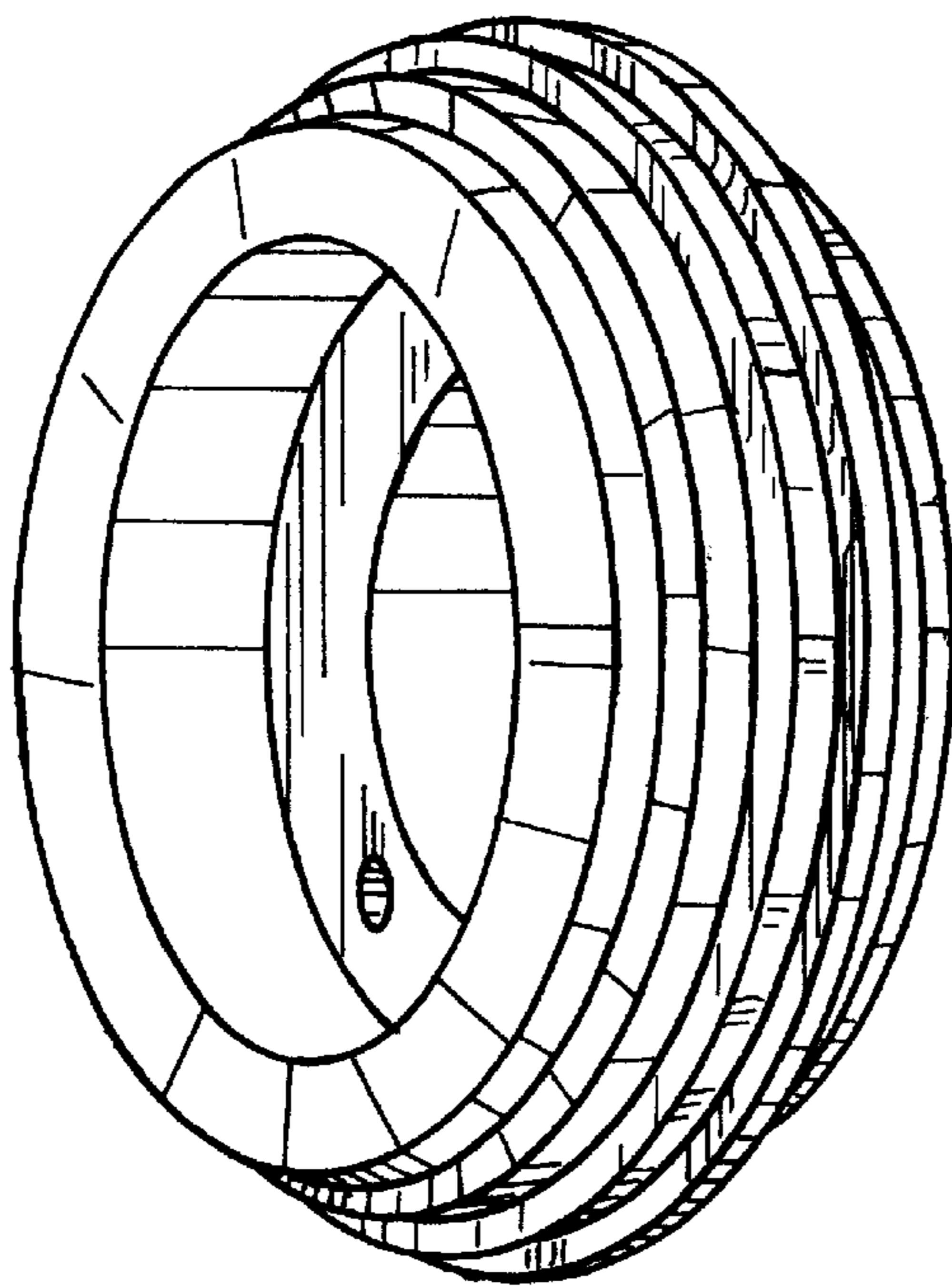


FIG. 1

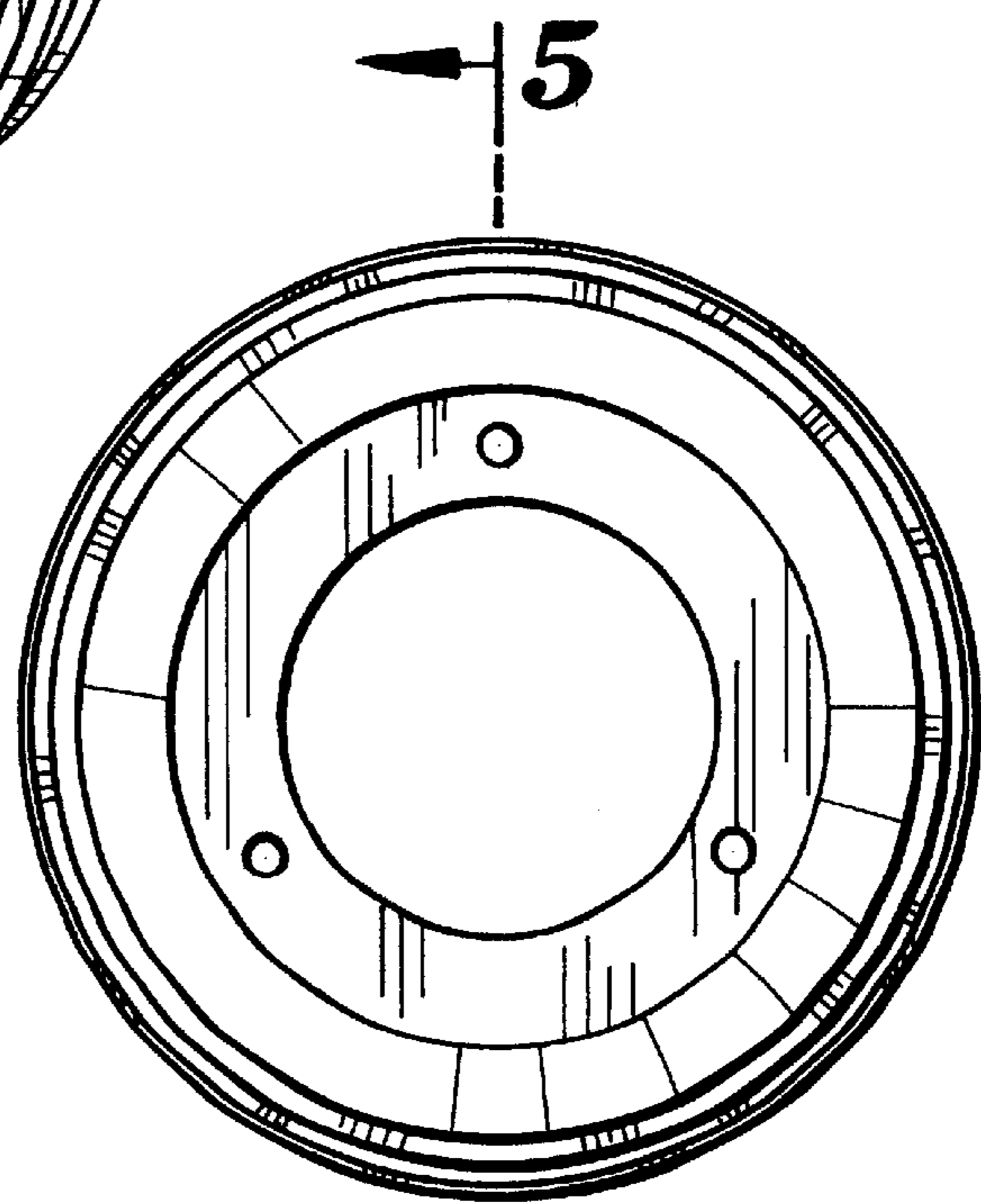


FIG. 2

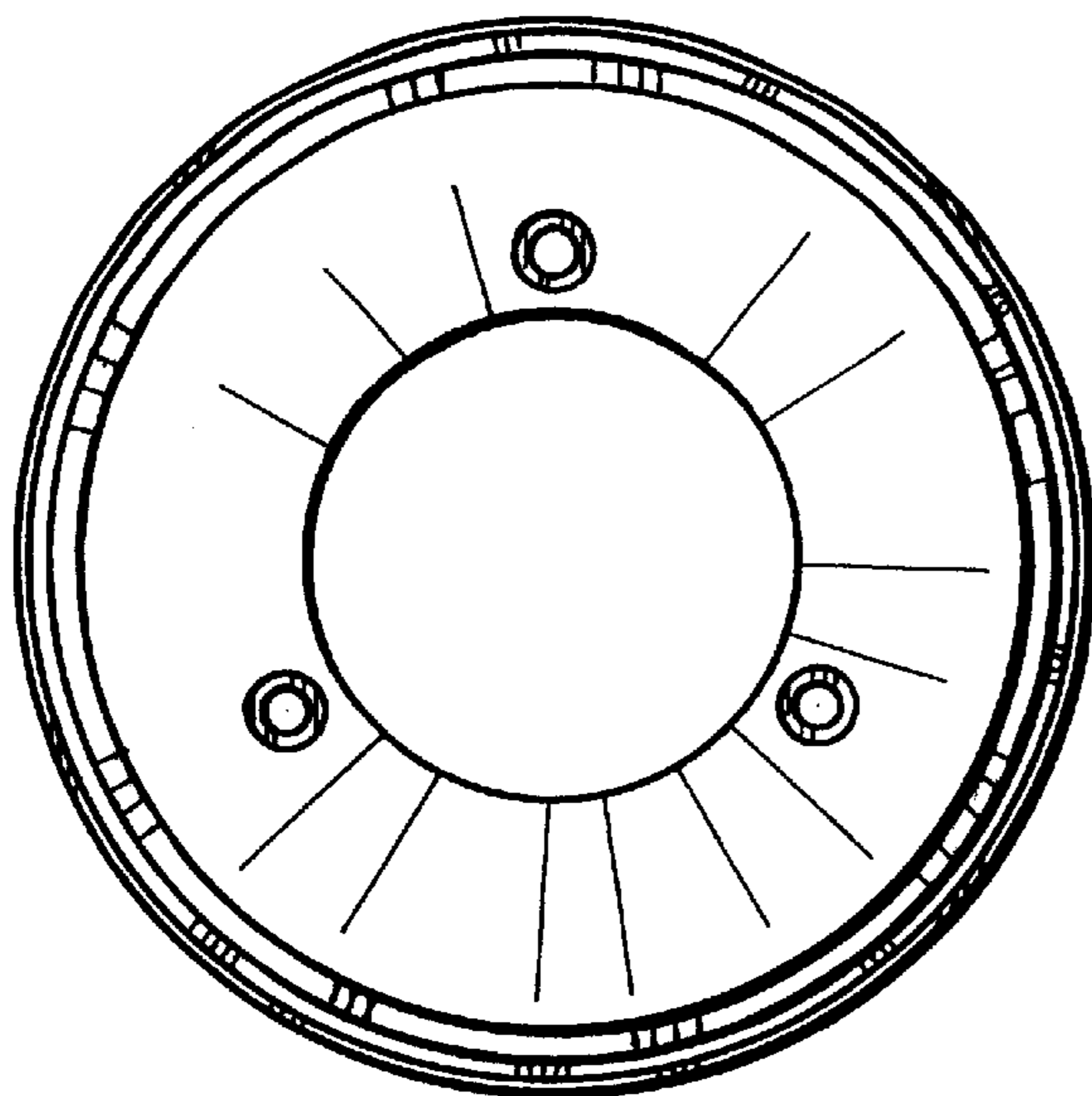


FIG. 3

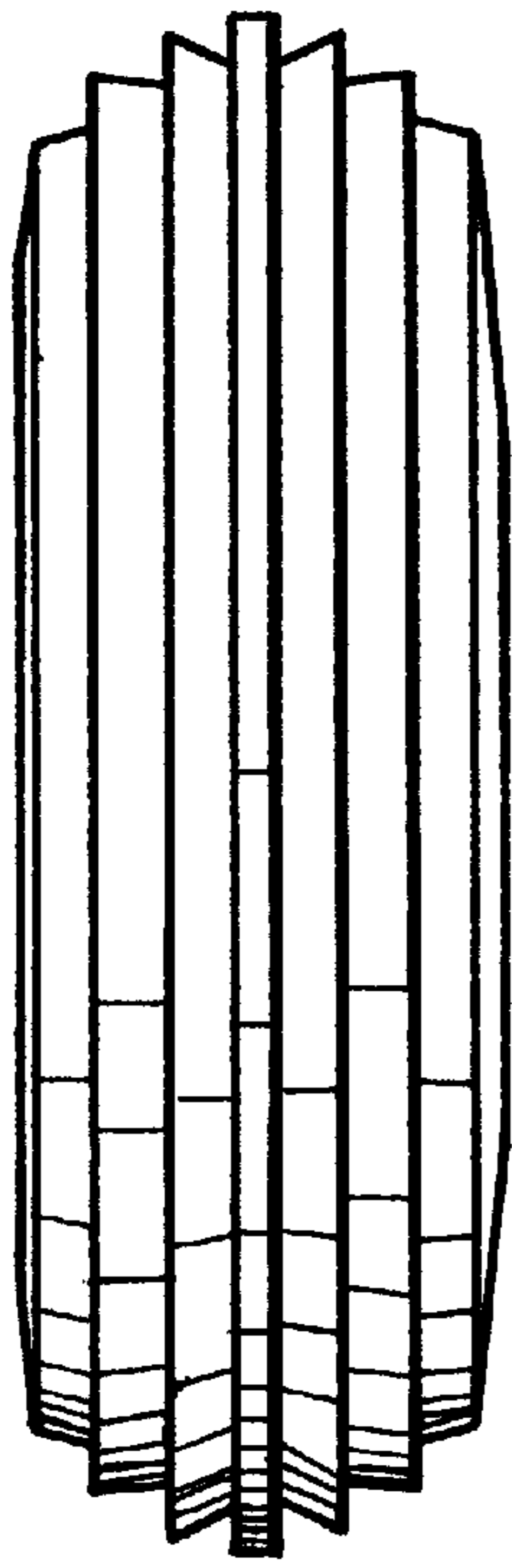


FIG. 4

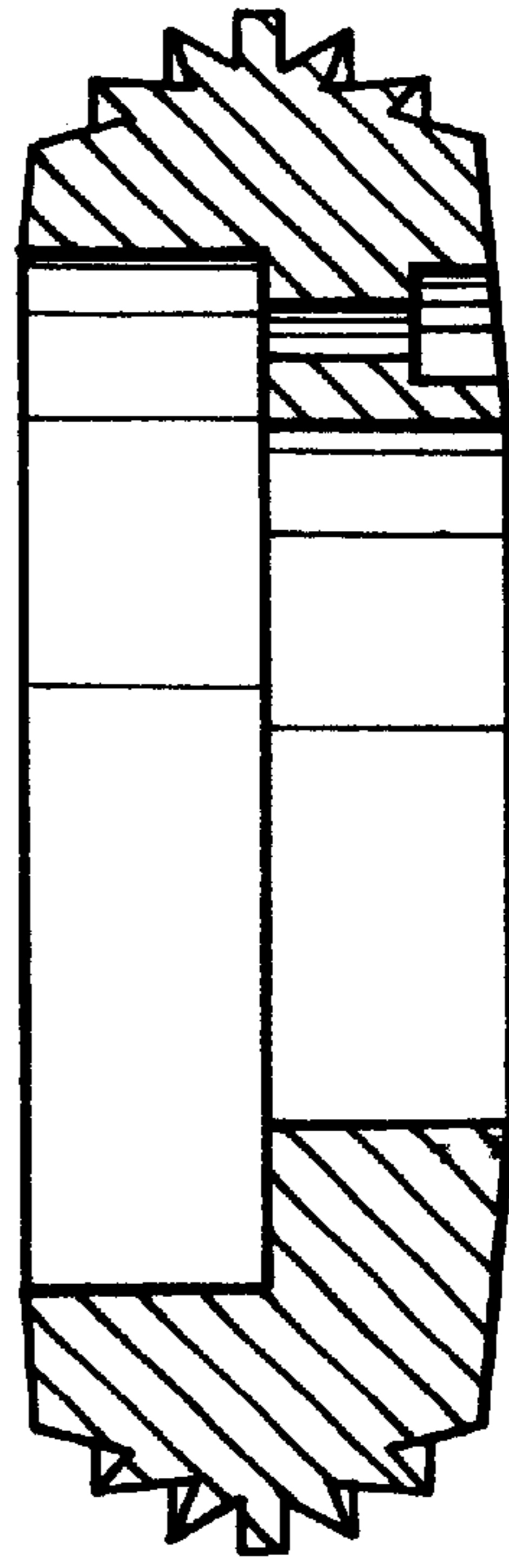


FIG. 5

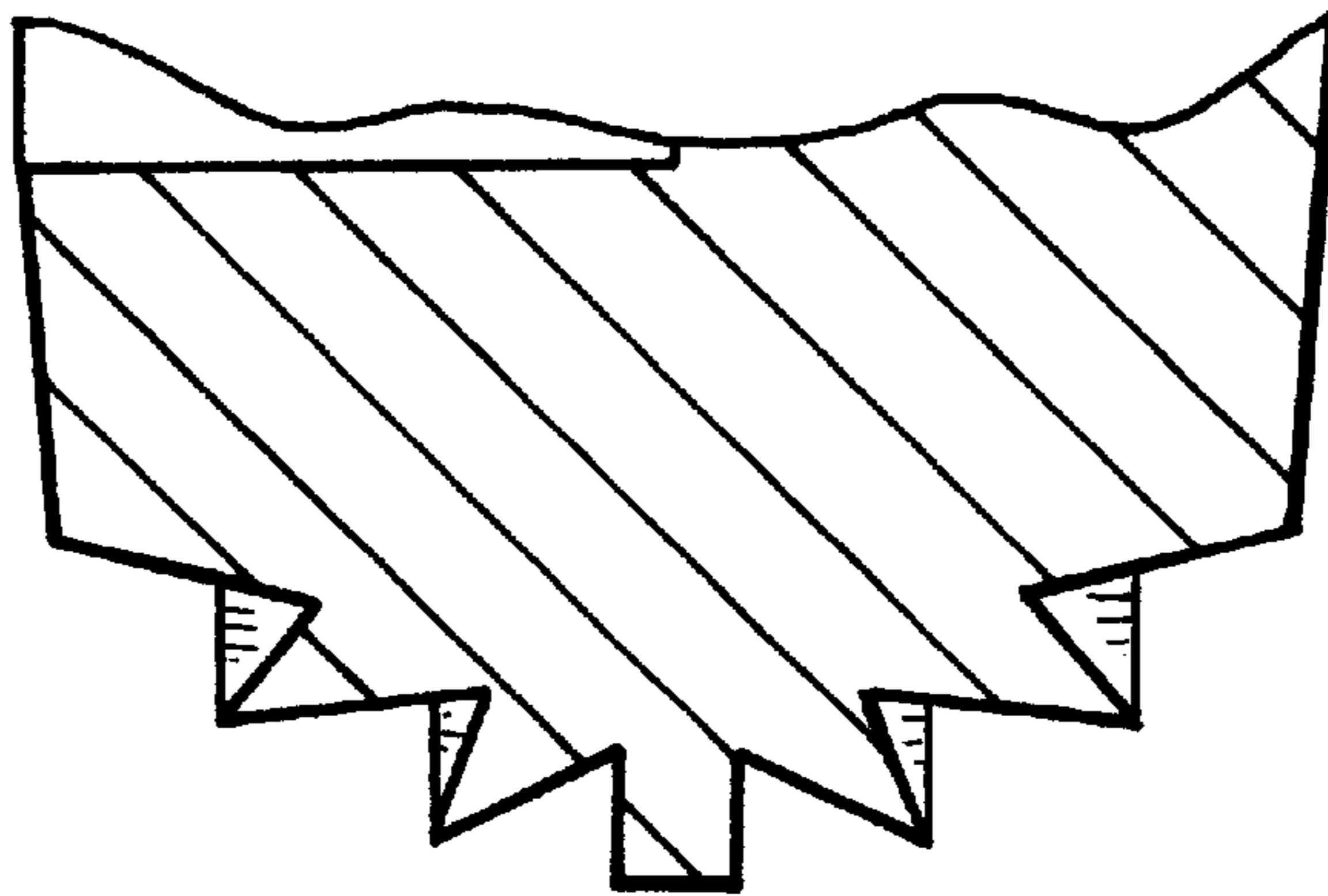


FIG. 6