



US00D475106S

(12) **United States Design Patent**
Tang et al.

(10) **Patent No.:** **US D475,106 S**

(45) **Date of Patent:** **** May 27, 2003**

(54) **PUTTER HEAD**

(75) Inventors: **Larry G. Tang**, Carlsbad, CA (US);
Joshua G. Breier, Vista, CA (US)

(73) Assignee: **Callaway Golf Company**, Carlsbad,
CA (US)

(**) Term: **14 Years**

(21) Appl. No.: **29/165,661**

(22) Filed: **Aug. 13, 2002**

(51) **LOC (7) Cl.** **21-02**

(52) **U.S. Cl.** **D21/759**

(58) **Field of Search** D21/736-746,
D21/753, 759; 473/324-327, 340, 341,
251-256

(56) **References Cited**

U.S. PATENT DOCUMENTS

D343,665 S	*	1/1994	Feche et al.	D21/752
D402,726 S	*	12/1998	McCabe et al.	D21/753
D458,656 S	*	6/2002	Tang et al.	D21/738
D461,514 S	*	8/2002	Tang et al.	D21/742
D461,515 S	*	8/2002	Tang et al.	D21/742

D461,861 S	*	8/2002	Tang et al.	D21/742
D463,002 S	*	9/2002	Tang et al.	D21/759
D467,985 S	*	12/2002	Tang et al.	D21/742
6,506,125 B2	*	1/2003	Helmstetter et al.	473/242

* cited by examiner

Primary Examiner—Mitchell Siegel

(74) *Attorney, Agent, or Firm*—Michael A. Catania

(57) **CLAIM**

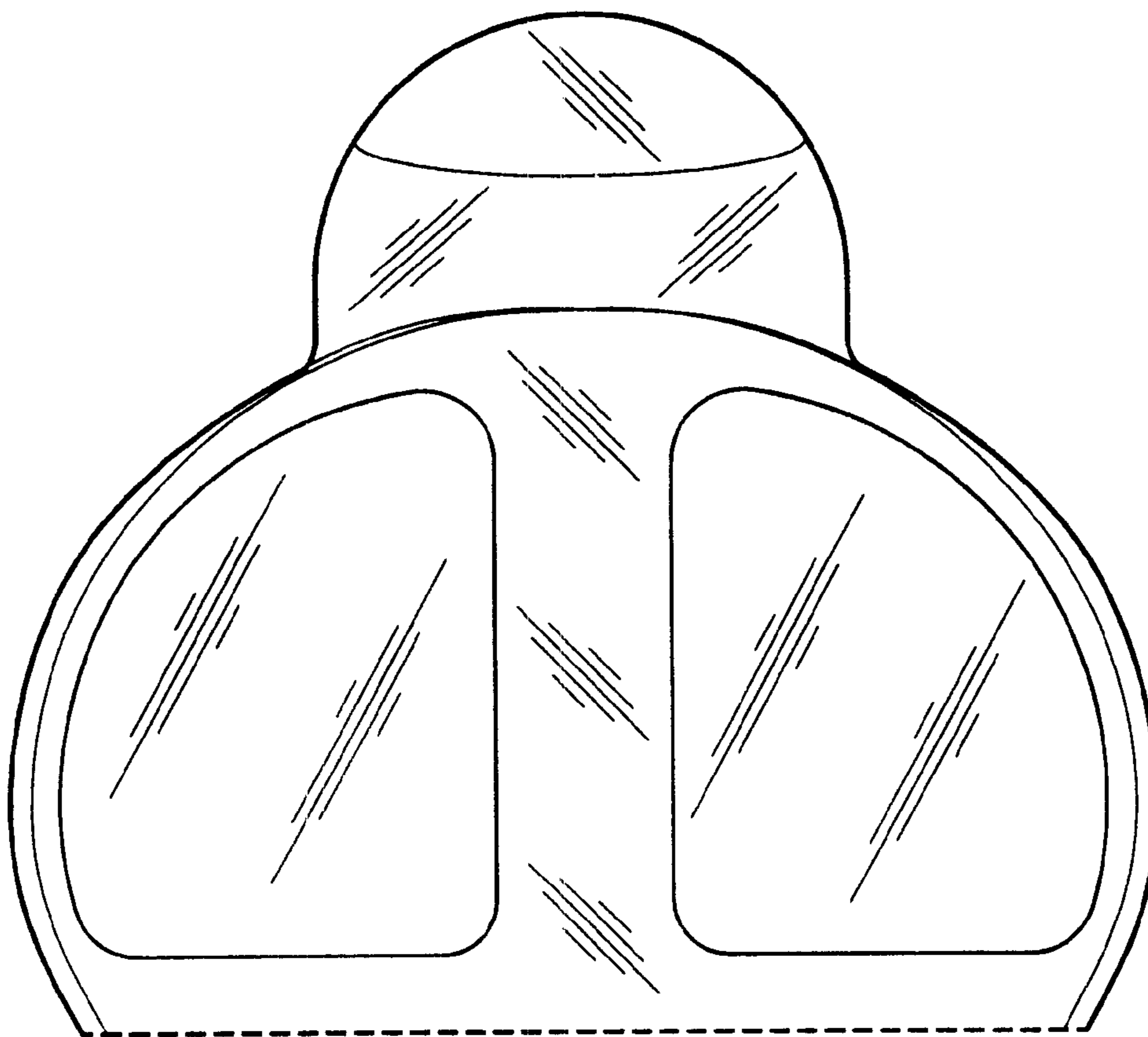
The ornamental design for a putter head, as shown and described.

DESCRIPTION

FIG. 1 is a bottom plan view of a putter head;
FIG. 2 is a top perspective view thereof;
FIG. 3 is a top plan view thereof;
FIG. 4 is a front plan view thereof;
FIG. 5 is a back plan view thereof;
FIG. 6 is a heel plan view thereof;
FIG. 7 is a toe plan view thereof; and,
FIG. 8 is a cross sectional view along lines 8—8 of the putter head of FIG. 2.

The dashed lines are for illustrative purposes only and form no part of the claimed design.

1 Claim, 3 Drawing Sheets



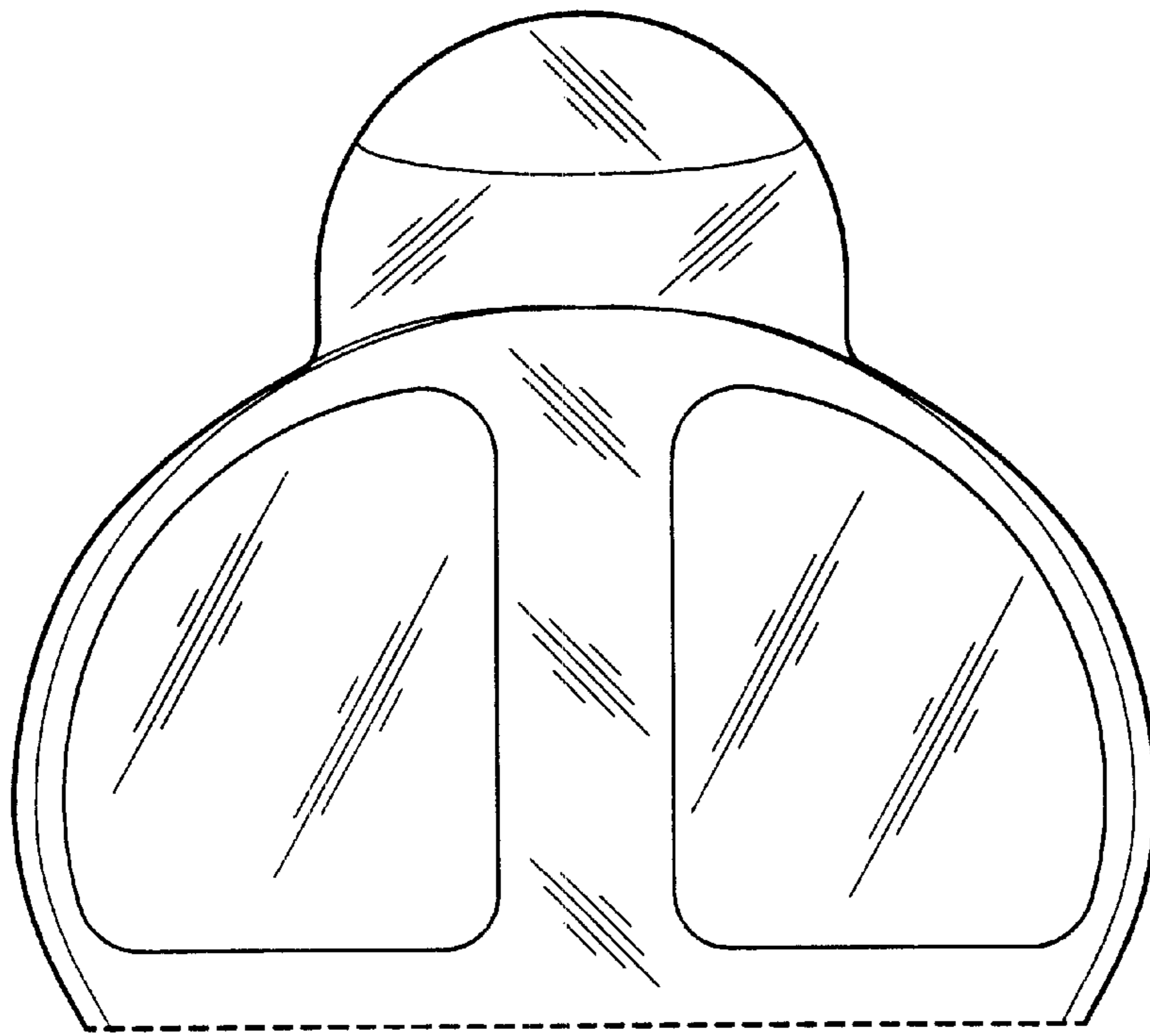


FIG. 1

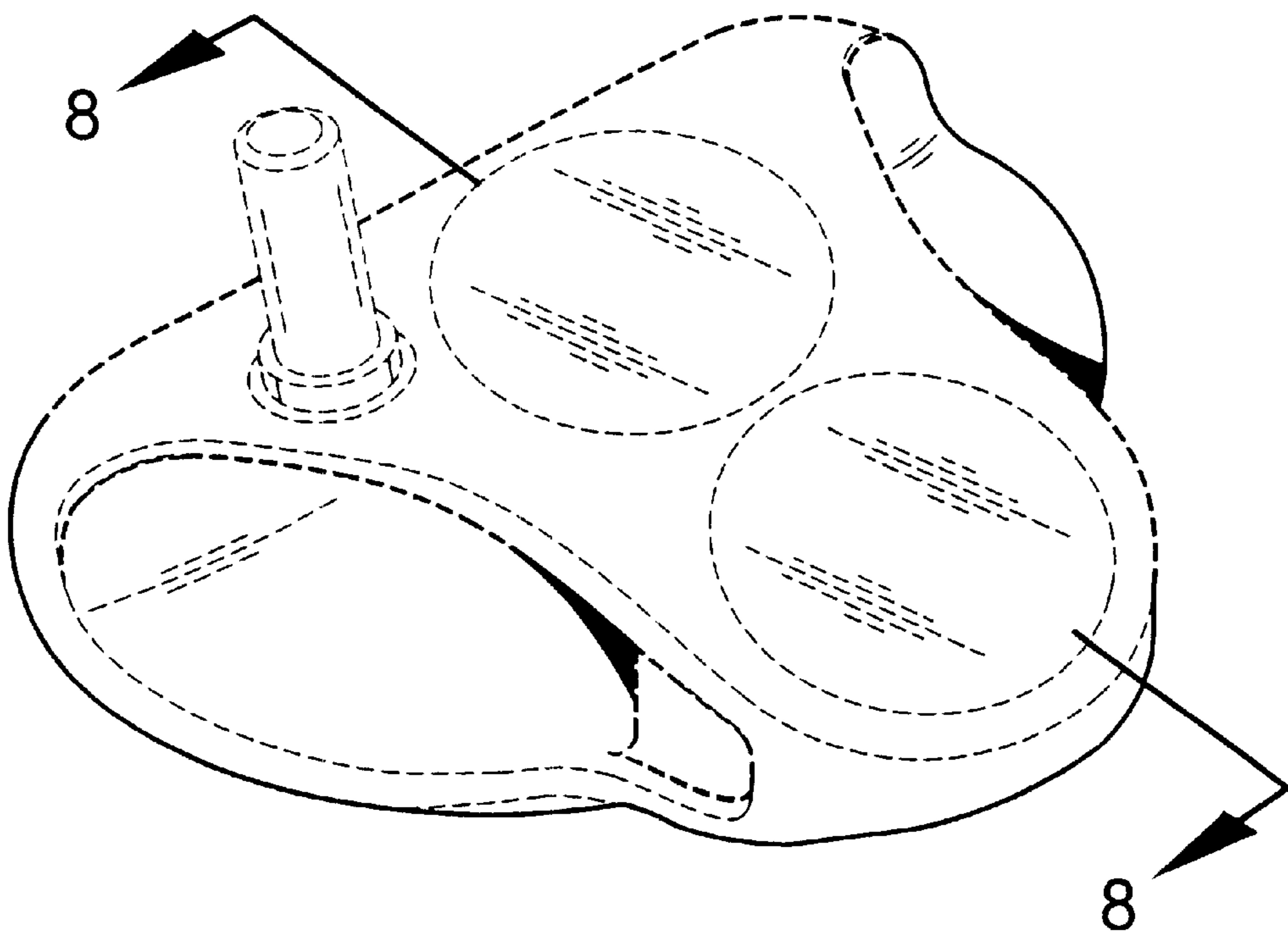


FIG. 2

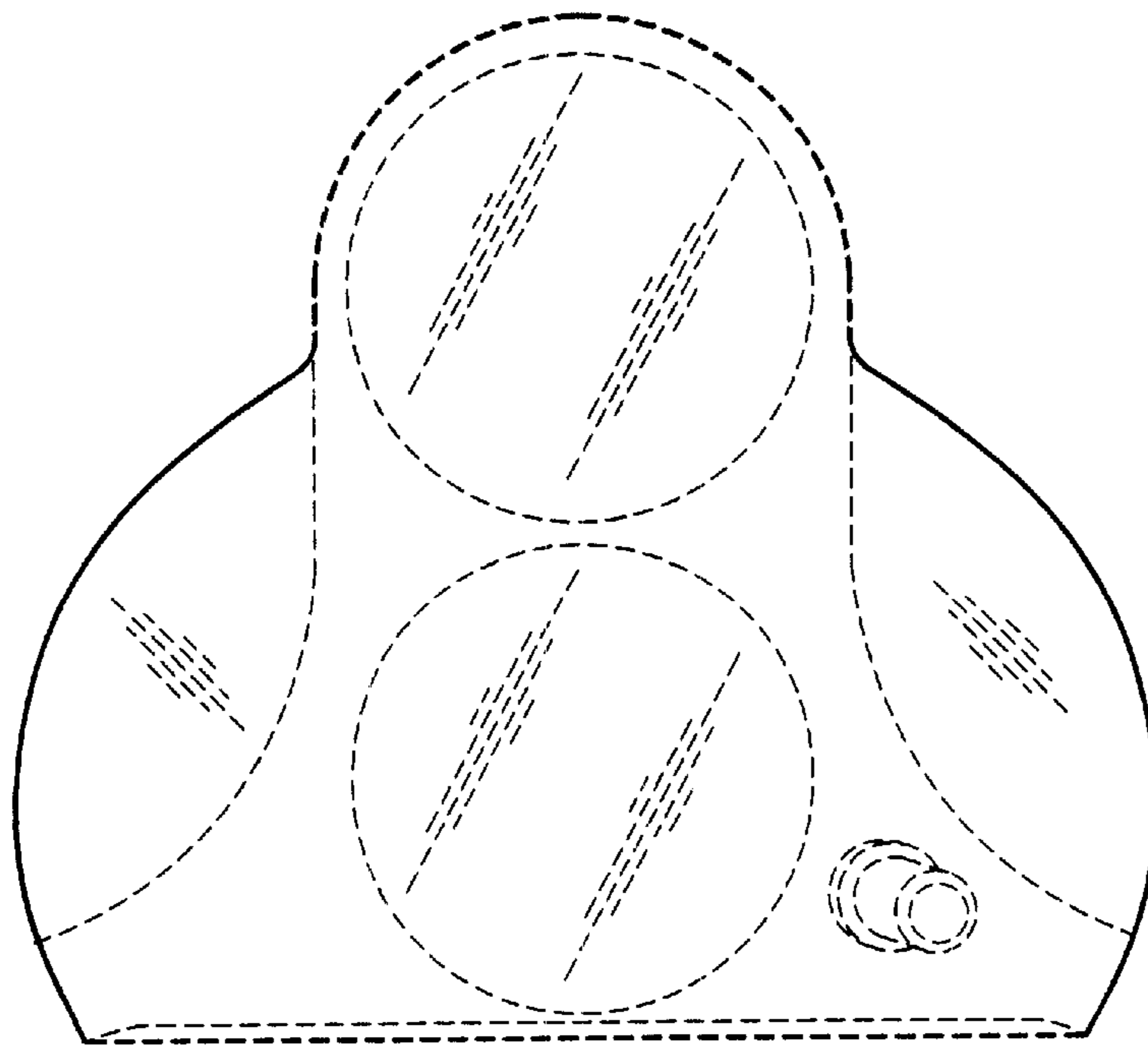


FIG. 3

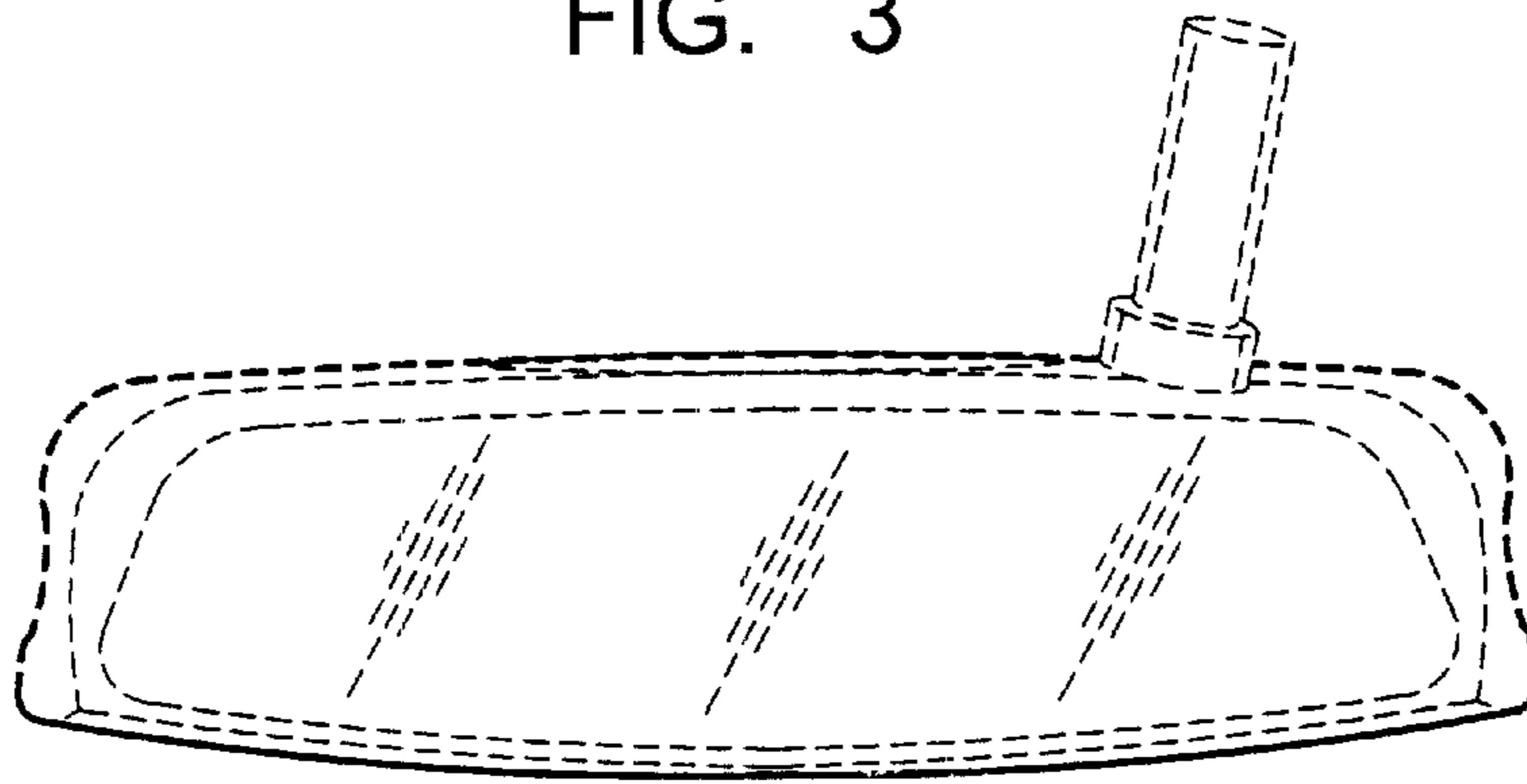


FIG. 4

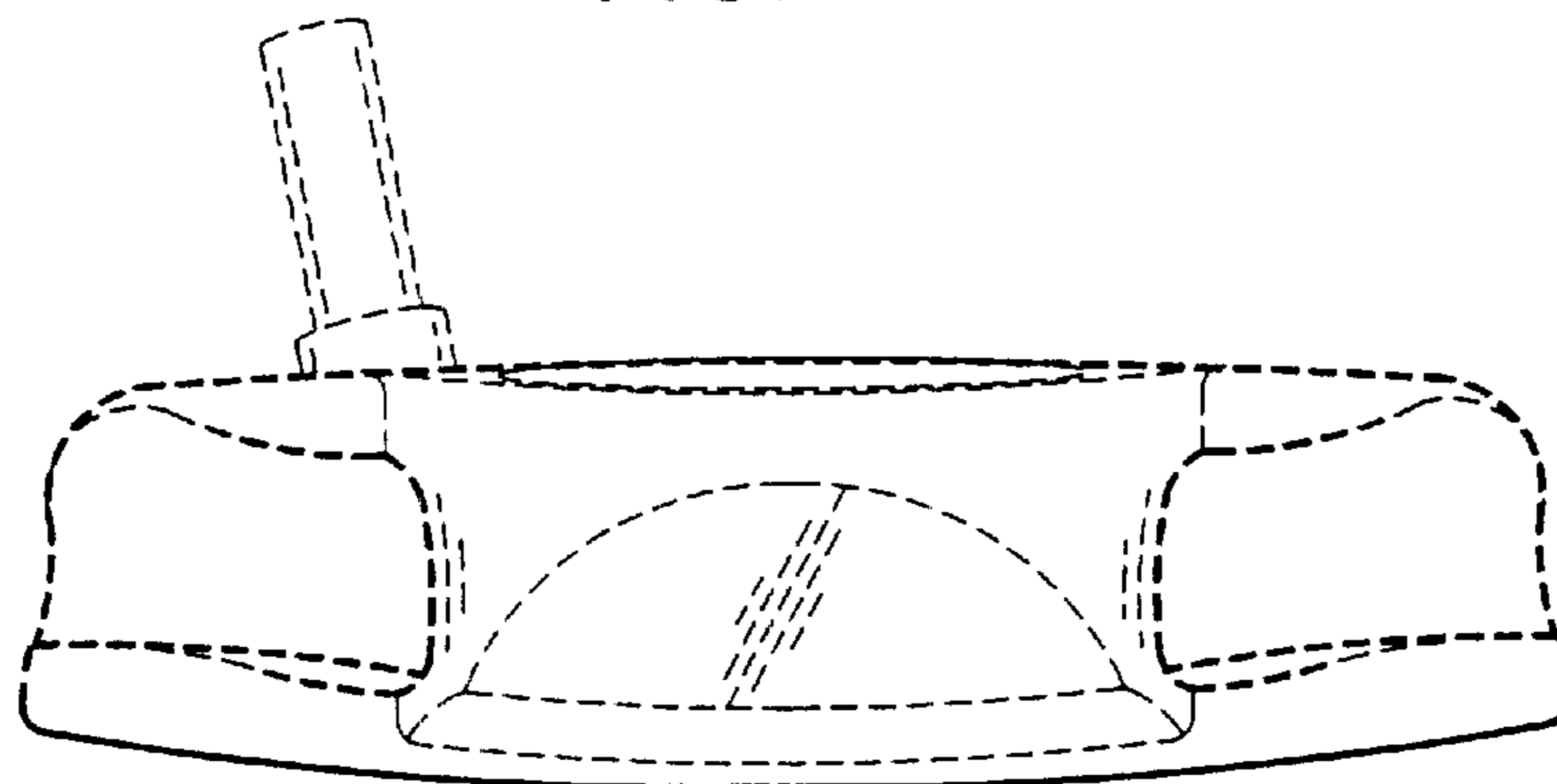


FIG. 5

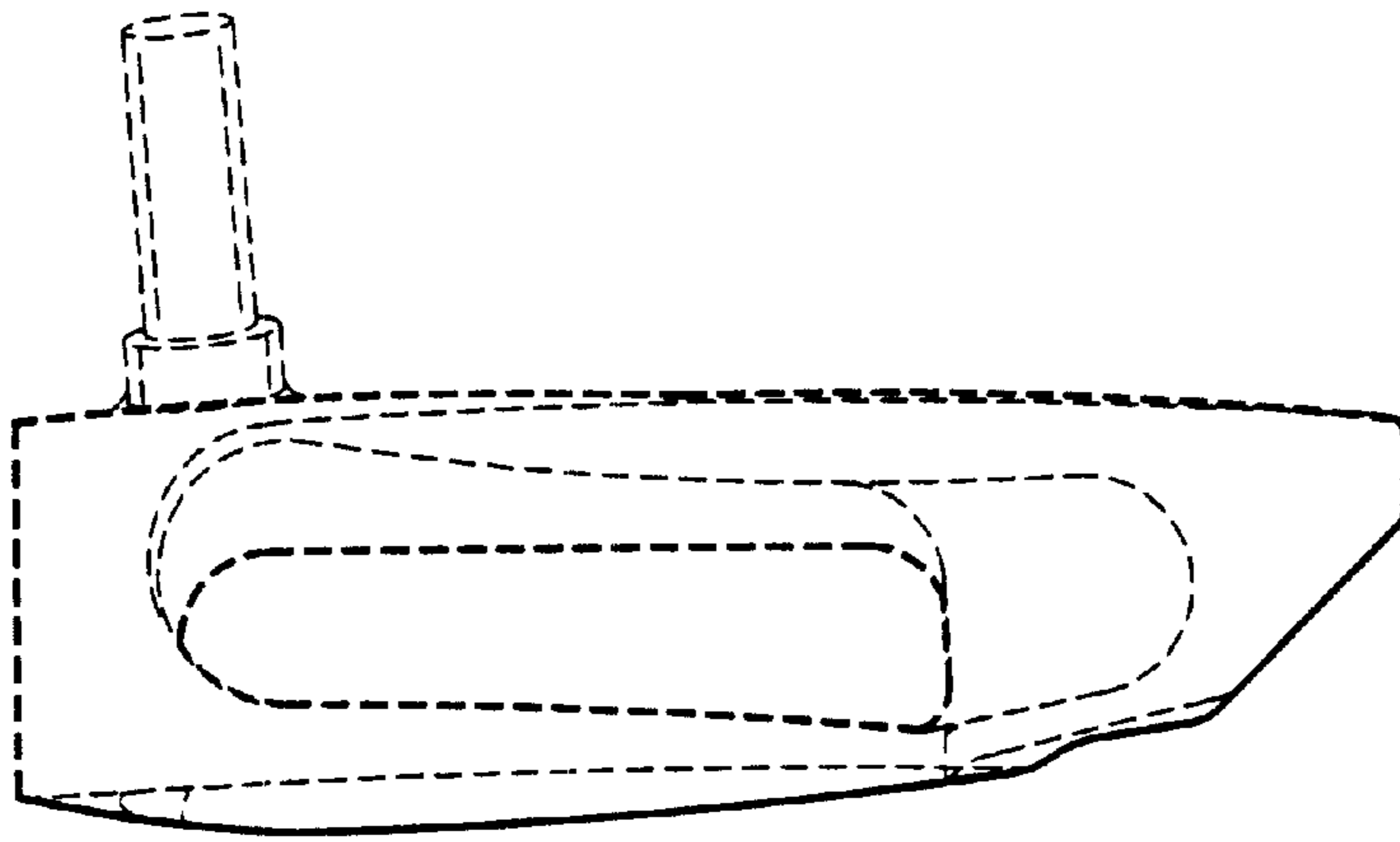


FIG. 6

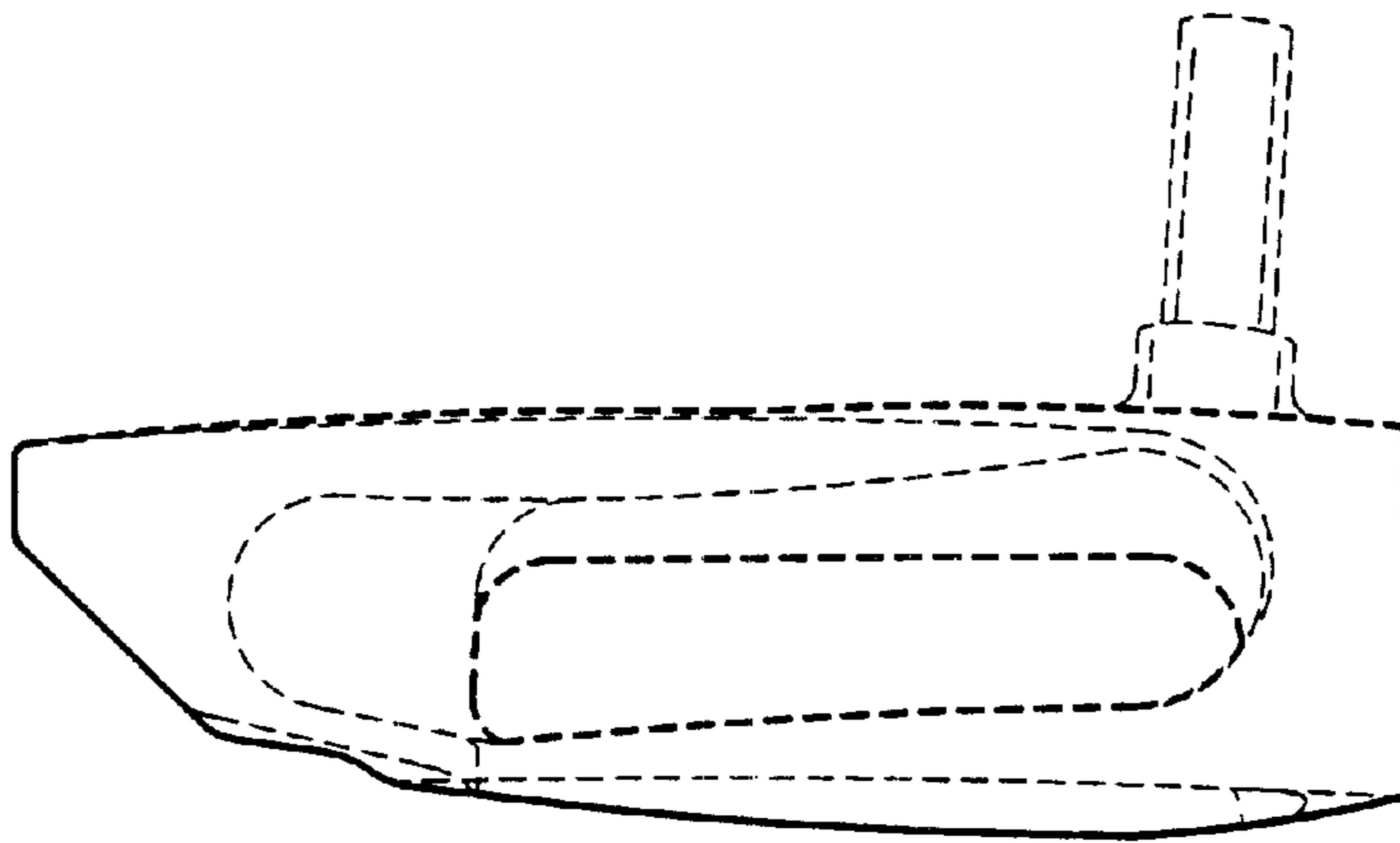


FIG. 7

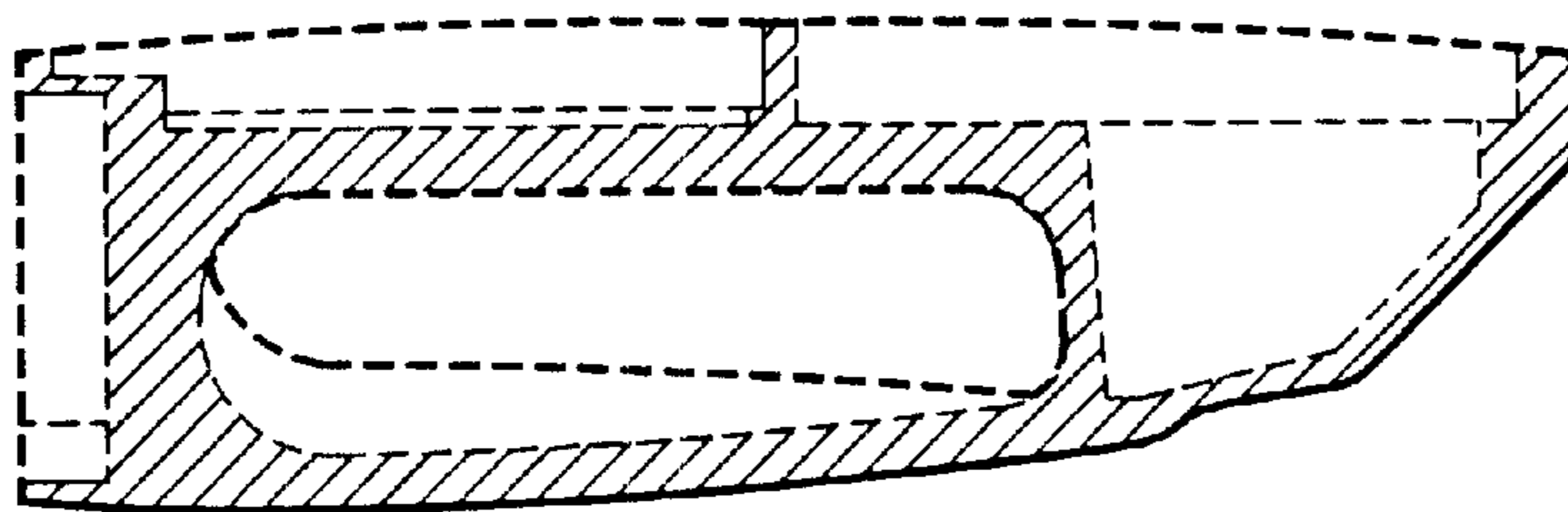


FIG. 8