



US00D475101S

(12) **United States Design Patent**  
**Manville**

(10) **Patent No.:** **US D475,101 S**

(45) **Date of Patent:** **\*\* May 27, 2003**

(54) **CRAFT KIT CONSTRUCTION  
COMPONENT—BONNET FOR A TOY  
FIGURE**

(75) Inventor: **Richard B. Manville**, Los Angeles, CA  
(US)

(73) Assignee: **Mattel, Inc.**, El Segundo, CA (US)

(\*\*) Term: **14 Years**

(21) Appl. No.: **29/157,960**

(22) Filed: **Mar. 26, 2002**

(51) **LOC (7) Cl.** ..... **21-01**

(52) **U.S. Cl.** ..... **D21/658; D21/493**

(58) **Field of Search** ..... D21/658, 629,  
D21/631, 634, 483, 484, 488, 490, 493,  
645-648; 446/97-101, 268, 491; D2/886;  
D7/684; D9/441

(56) **References Cited**

**U.S. PATENT DOCUMENTS**

D50,320 S	*	2/1917	Morse	.....	D21/648
1,223,508 A	*	4/1917	Meyner	.....	446/97
1,581,382 A	*	4/1926	Buchtrup	.....	446/369
1,818,404 A		8/1931	Kaufman		
2,684,483 A	*	7/1954	Kwake	.....	2/171.03
2,803,015 A	*	8/1957	Milone	.....	2/171.03
3,564,758 A		2/1971	Willis		
3,687,500 A		8/1972	Silvius		
3,827,177 A		8/1974	Wengel		
3,855,748 A		12/1974	Thomas		
4,124,958 A		11/1978	Chiche		
4,291,512 A		9/1981	Walton		
4,297,153 A	*	10/1981	Erickson et al.	.....	156/63
4,334,868 A		6/1982	Levinrad		
4,365,454 A		12/1982	Davis		
D277,727 S		2/1985	Klaric		
4,557,091 A		12/1985	Auer		
D285,463 S		9/1986	Davis		
4,789,370 A		12/1988	Ellefson		
5,061,219 A		10/1991	Glickman		
5,222,902 A		6/1993	Piersch		

5,380,237 A	*	1/1995	Kenyon	.....	446/491
5,470,139 A		11/1995	Hsiao		
5,472,365 A		12/1995	Engel		
5,647,181 A		7/1997	Hunts		
5,681,201 A		10/1997	Choi		
5,984,756 A		11/1999	Krog		
6,004,182 A		12/1999	Pasin		
6,227,930 B1	*	5/2001	Norman et al.	.....	446/268
6,231,416 B1		5/2001	Clever et al.		
6,257,948 B1	*	7/2001	Silva	.....	446/100

**OTHER PUBLICATIONS**

Photo 290, Lego Classic Building toy (available commercially during or prior to 2000).  
 Photos 291-293, Discovery Toys Bright Builders toy.  
 Photo 294, K'Nex Jack Knife Big Rig Race Transport.  
 Photos 295-296, Lego Jack Stone Copter Transport.  
 Photos 297-298, T.C. Timber Animal Beads.  
 Photos 299-300, Lego Team Transport building toy.  
 Photo 301, Anatomics Dynamic building system.  
 Photos 302-303, Creativity For Kids Funky Fab Door Curtain.  
 Photo 304, Anatex Suction Cup Coaster.  
 Photo 305, Construx Power Copters building system.  
 Photo 306, Puff Beads bead set.  
 Photo 307, Lisa Frank Bead Dreams bead set.  
 Photo 308, Rexlace Plastic Craft Lacing.

(List continued on next page.)

*Primary Examiner*—Lucy Lieberman  
(74) *Attorney, Agent, or Firm*—Kolisch Hartwell, P.C.

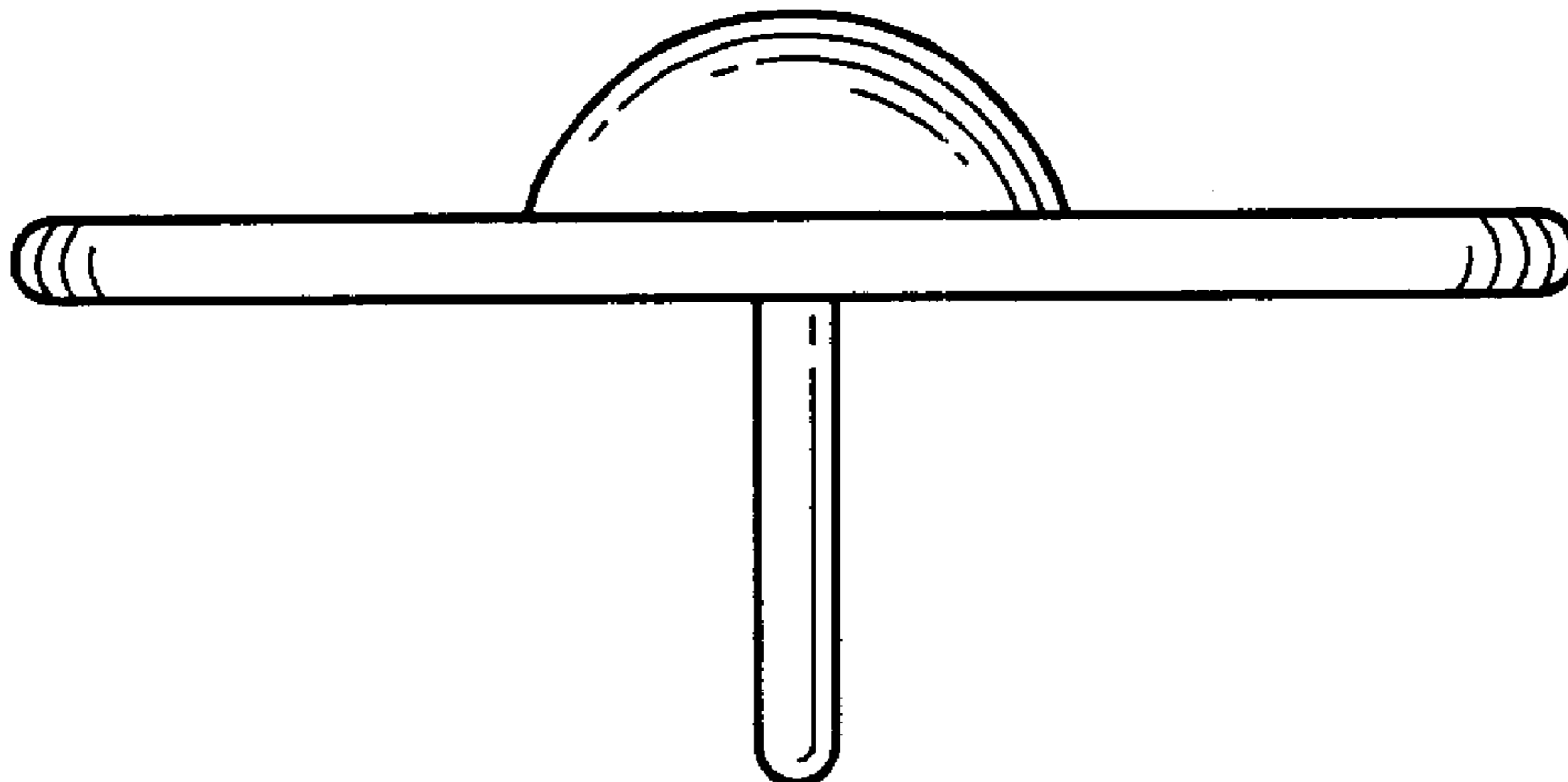
(57) **CLAIM**

The ornamental design for a craft kit construction component—bonnet for a toy figure, as shown and described.

**DESCRIPTION**

FIG. 1 is a perspective view of the invention;  
FIG. 2 is a side elevation thereof; and,  
FIG. 3 is a bottom plan view thereof.  
FIG. 1 in the drawings is shown on a reduced scale.

**1 Claim, 1 Drawing Sheet**



**OTHER PUBLICATIONS**

Photos 309–310, Lego Alien of the Red Planet building toy.  
Photo 311, Tinkertoy Construction Set.  
Photo 318, S’Getti Strings Activity Pack.  
Photo 319, Lacing Set.  
Photo 320, Hama beads.  
Photo 321, Learning Resources Attributes Lacing Buttons set.  
Photo 322, Creative Girls Hip Hemp bracelet set.

Photos 325–326, Playmobil prison tower building set (commercially available).

Photo 327, Lego System building toy.

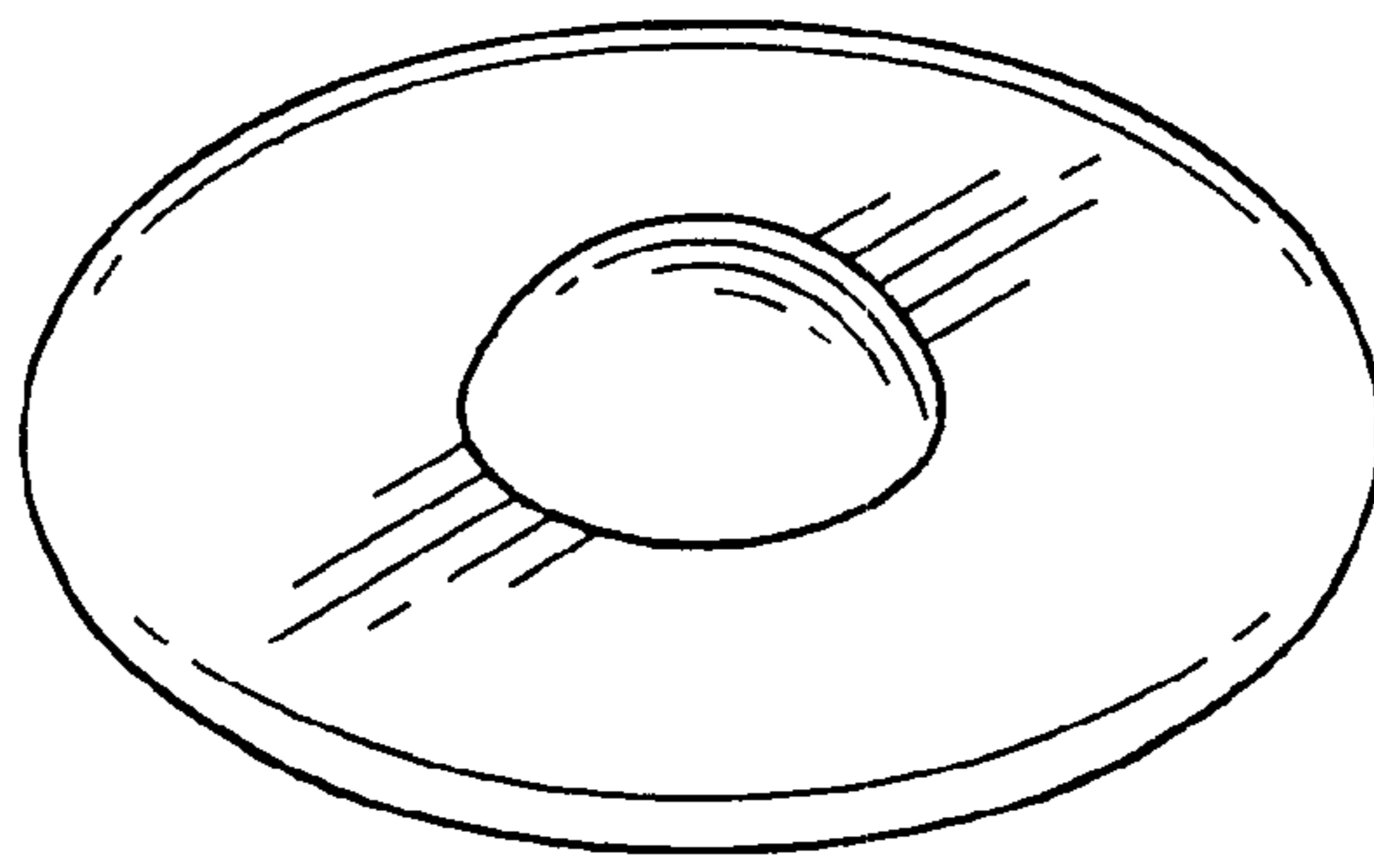
Photos 328–329, K’Nex First Building set.

Photo 330, Creative Girls Power Beads set.

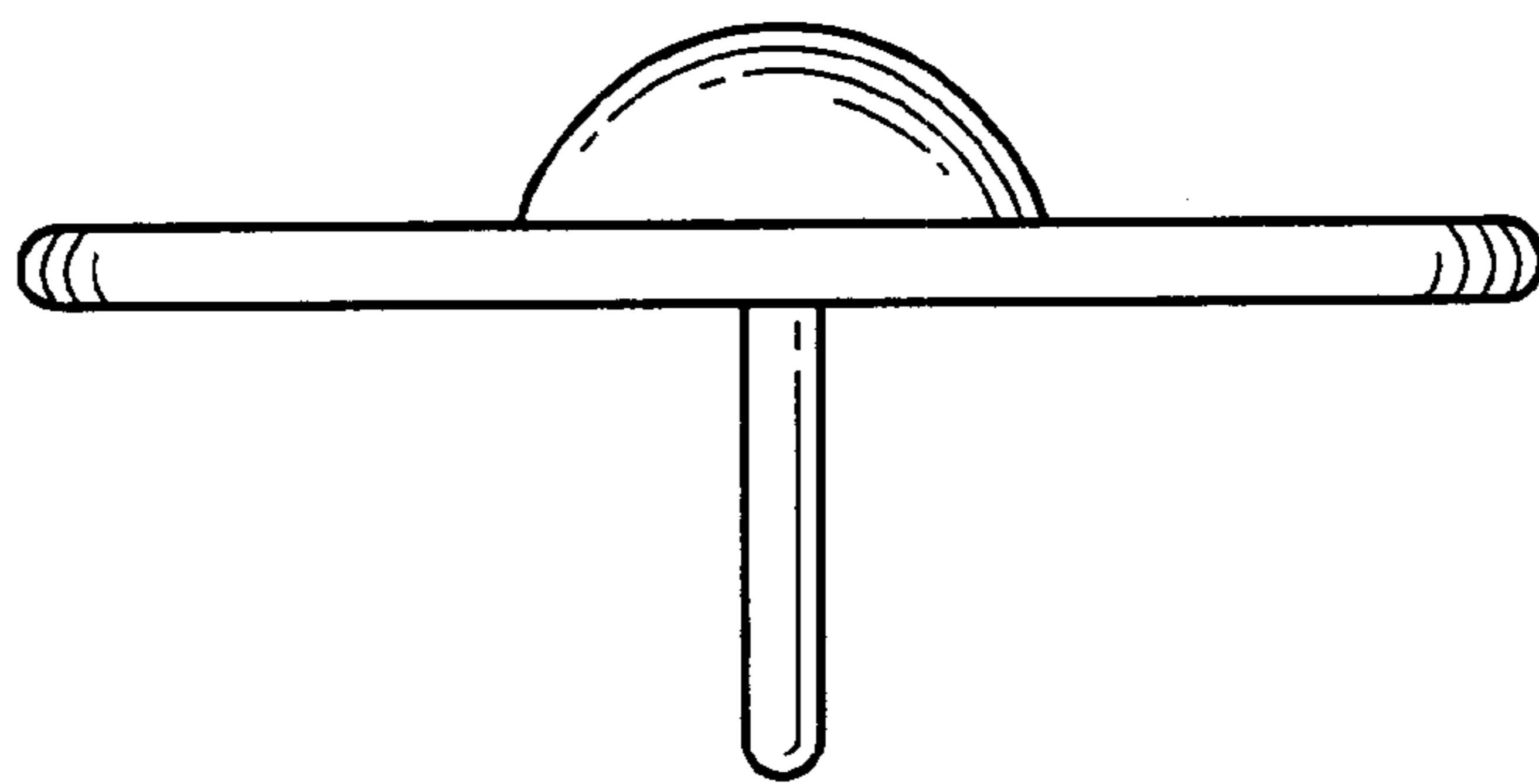
Photos 331–335, Lego Duplo Wazo building set.

Photos 400–404, Pablo 3–D Stick Game.

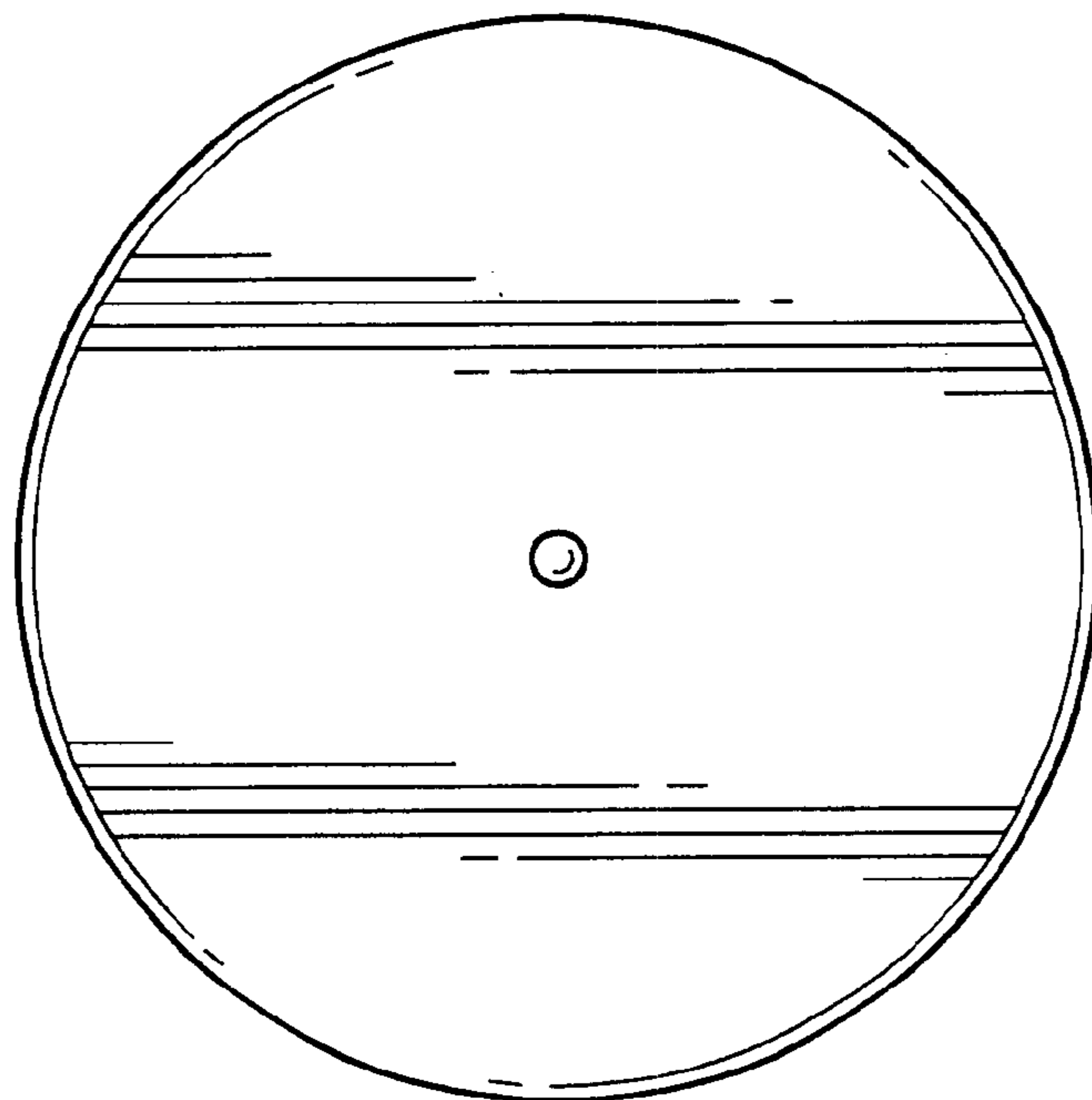
\* cited by examiner



**FIG. 1**



**FIG. 2**



**FIG. 3**