



US00D475097S

(12) **United States Design Patent**  
**Manville**

(10) **Patent No.:** **US D475,097 S**

(45) **Date of Patent:** **\*\* May 27, 2003**

(54) **CRAFT KIT CONSTRUCTION**  
**COMPONENT-TOP HAT FOR A TOY FIGURE**

(75) **Inventor:** **Richard B. Manville**, Los Angeles, CA (US)

(73) **Assignee:** **Mattel, Inc.**, El Segundo, CA (US)

(\*\*) **Term:** **14 Years**

(21) **Appl. No.:** **29/157,843**

(22) **Filed:** **Mar. 26, 2002**

(51) **LOC (7) Cl.** ..... **21-01**

(52) **U.S. Cl.** ..... **D21/658; D21/493**

(58) **Field of Search** ..... D21/658, 629,  
D21/631, 634, 483, 484, 488, 490, 493;  
446/97-101, 268, 491; D2/886; D7/684;  
D9/441; D11/160, 127, 128

(56) **References Cited**

**U.S. PATENT DOCUMENTS**

1,223,508 A *	4/1917	Meyner	.....	446/97
1,818,404 A	8/1931	Kaufman		
3,564,758 A	2/1971	Willis		
3,687,500 A	8/1972	Silvius		
3,827,177 A	8/1974	Wengel		
3,855,748 A	12/1974	Thomas		
D249,027 S *	8/1978	Dibble	.....	D11/128
4,124,958 A	11/1978	Chiche		
D254,058 S *	1/1980	Langlois, Jr.	.....	D11/160
4,291,512 A	9/1981	Walton		
4,334,868 A	6/1982	Levinrad		
4,365,454 A	12/1982	Davis		
D277,727 S	2/1985	Klaric		
4,557,091 A	12/1985	Auer		
D285,463 S	9/1986	Davis		
4,789,370 A	12/1988	Ellefson		
5,061,219 A	10/1991	Glickman		
5,091,833 A *	2/1992	Paniaguas et al.	.....	446/97

5,222,902 A	6/1993	Piersch		
D345,435 S *	3/1994	McLaughlin, II	.....	D21/629
5,380,237 A *	1/1995	Kenyon	.....	446/491
5,470,139 A	11/1995	Hsiao		
5,472,365 A	12/1995	Engel		
5,647,181 A	7/1997	Hunts		
D382,317 S *	8/1997	Huston	.....	D21/661
5,681,201 A	10/1997	Choi		
5,984,756 A	11/1999	Krog		
6,004,182 A	12/1999	Pasin		
6,231,416 B1	5/2001	Clever et al.		
6,257,948 B1 *	7/2001	Silva	.....	446/100

**OTHER PUBLICATIONS**

Photo 290, LEGO Classic Building toy (commercially available during or prior to 2000).  
 Photos 291-293, DISCOVERY TOYS Bright Builders toy (commercially available during or prior to 2000).  
 Photo 294, K'NEX Jack Knife Big Rig Race Transport (commercially available during or prior to 2000).  
 Photos 295-296, LEGO Jack Stone Copter Transport (commercially available during or prior to 2000).  
 Photos 297-298, T.C. TIMBER Animal Beads (commercially available during or prior to 2000).

(List continued on next page.)

*Primary Examiner*—Lucy Lieberman

(74) *Attorney, Agent, or Firm*—Kolisch Hartwell, P.C.

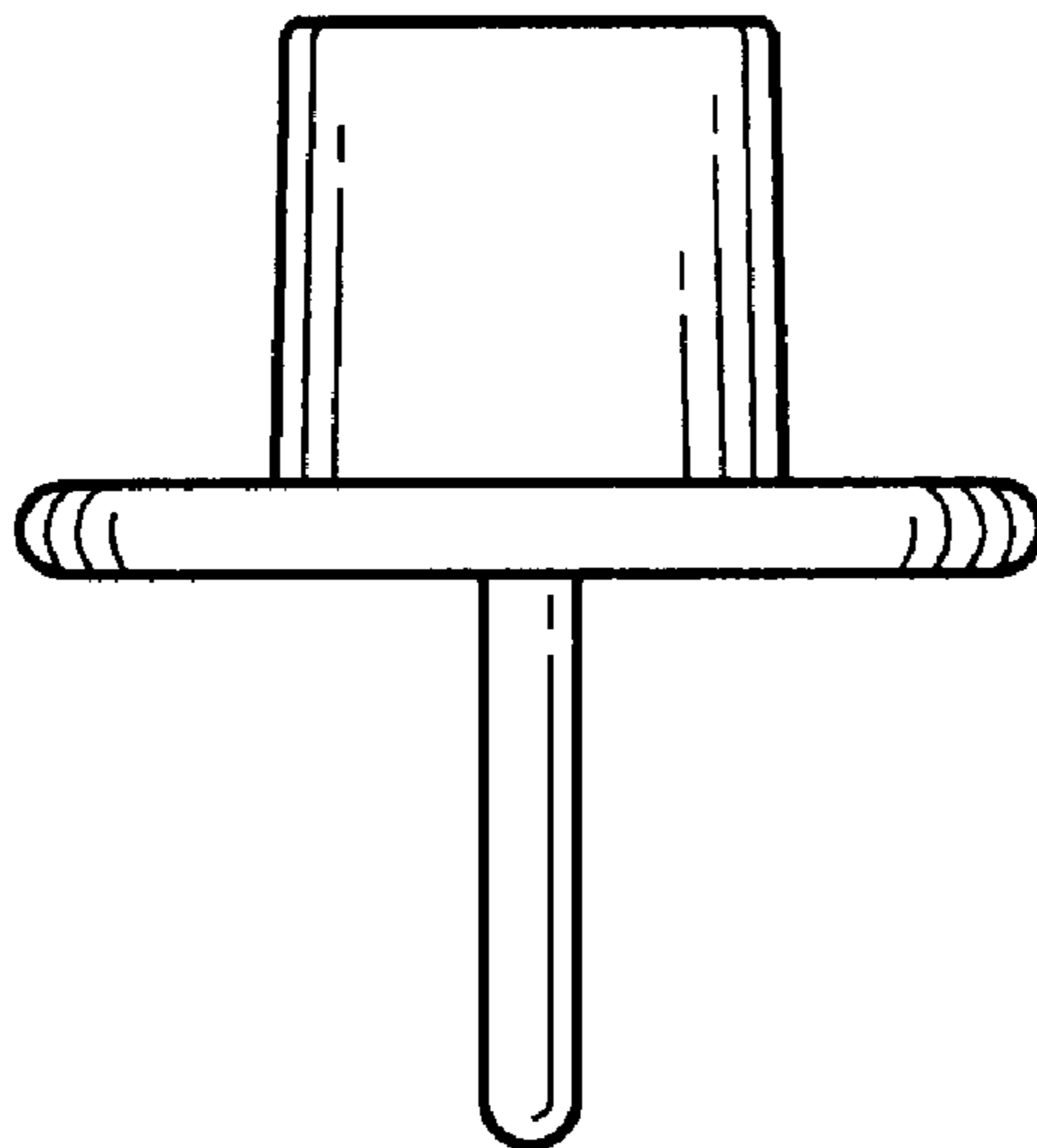
(57) **CLAIM**

The ornamental design for a craft kit construction component—top hat for a toy figure, as shown and described.

**DESCRIPTION**

FIG. 1 is a perspective view of the invention;  
 FIG. 2 is a side elevation thereof; and,  
 FIG. 3 is a bottom plan view thereof.  
 FIG. 1 in the drawings is shown on a reduced scale.

**1 Claim, 1 Drawing Sheet**



OTHER PUBLICATIONS

Photos 299–300, LEGO Team Transport building toy (commercially available during or prior to 2000).

Photo 301, ANATOMICS Dynamic building system (commercially available during or prior to 2000).

Photos 302–303, CREATIVITY FOR KIDS Funky Fab Door Curtain (commercially available during or prior to 2000).

Photo 304, ANATEX Suction Cup Coaster (commercially available during or prior to 2000).

Photo 305, CONSTRUX Power Copters building system (commercially available during or prior to 2000).

Photo 306, Puff Beads bead set (commercially available during or prior to 2000).

Photo 307, LISA FRANK Bead Dreams bead set (commercially available during or prior to 2000).

Photo 308, REXLACE Plastic Craft Lacing (commercially available during or prior to 2000).

Photos 309–310, LEGO Alien of the Red Planet building toy (commercially available during or prior to 2000).

Photo 311, TINKERTOY Construction Set (commercially available during or prior to 2000).

Photo 318, S'GETTI STRINGS Activity Pack (commercially available during or prior to 2000).

Photo 319, Lacing Set (commercially available during or prior to 2000).

Photo 320, HAMA beads (commercially available during or prior to 2000).

Photo 321, LEARNING RESOURCES Attributes Lacing Buttons set (commercially available during or prior to 2000).

Photo 322, CREATIVE GIRLS Hip Hemp bracelet set (commercially available during or prior to 2000).

Photos 325–326, PLAYMOBIL prison tower building set (commercially available during or prior to 2000).

Photo 327, LEGO System building toy (commercially available during or prior to 2000).

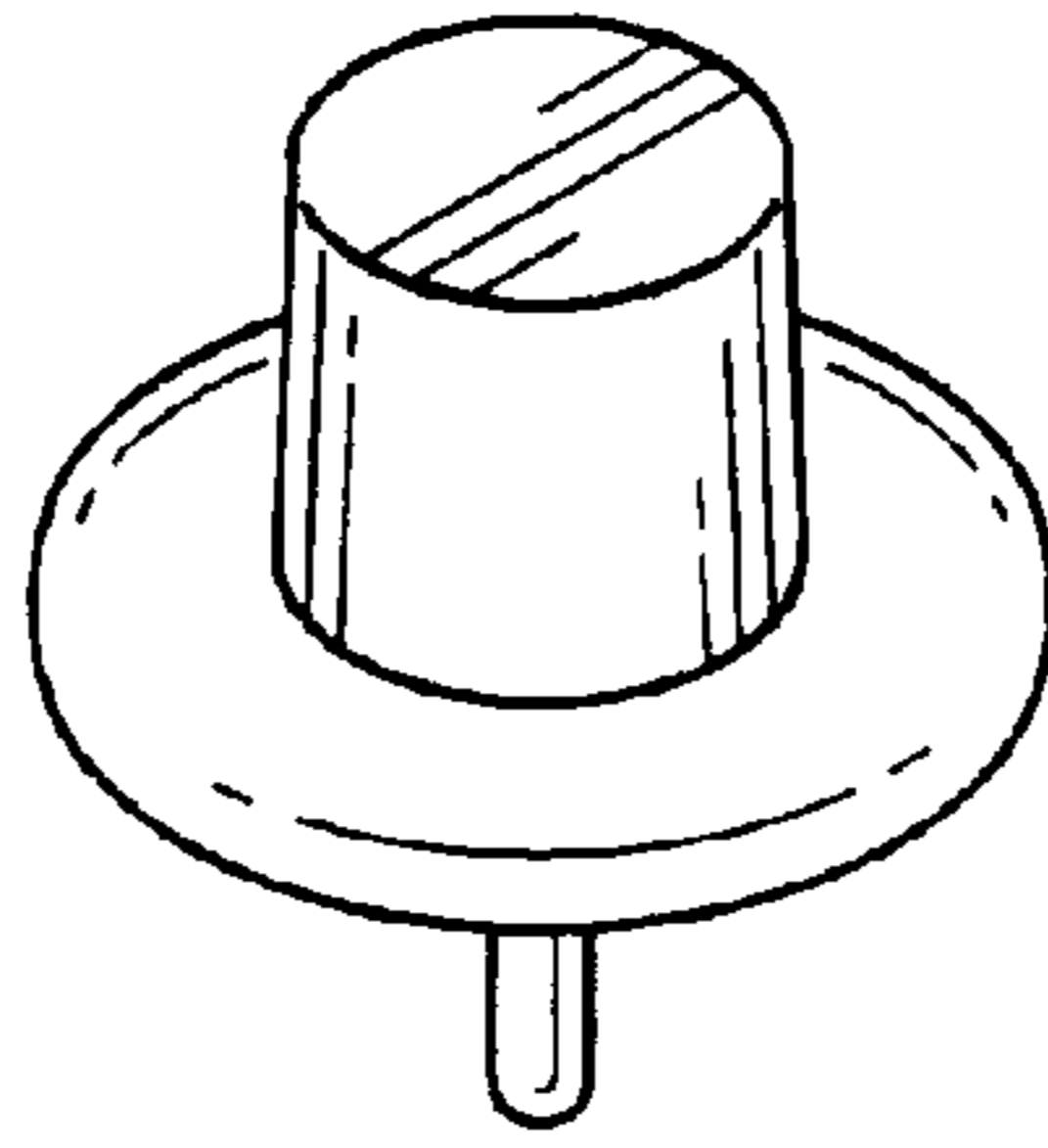
Photos 328–329, K'NEX First Building set (commercially available during or prior to 2000).

Photo 330, CREATIVE GIRLS Power Beads set (commercially available during or prior to 2000).

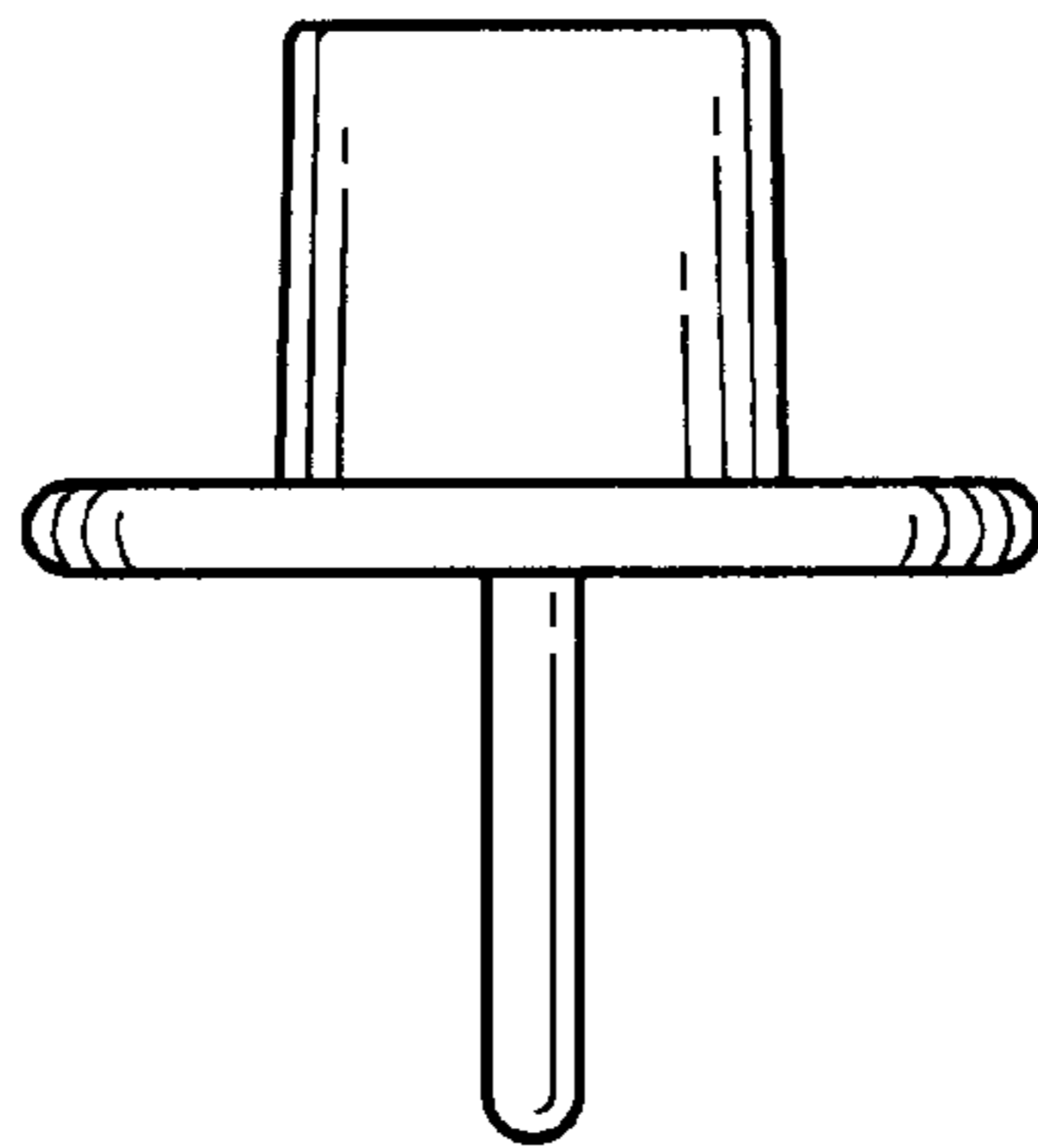
Photos 331–335, LEGO DUPLO Wazo building set (commercially available during or prior to 2000).

Photos 400–404, PABLO 3-D Stick Game (commercially available during or prior to 2000).

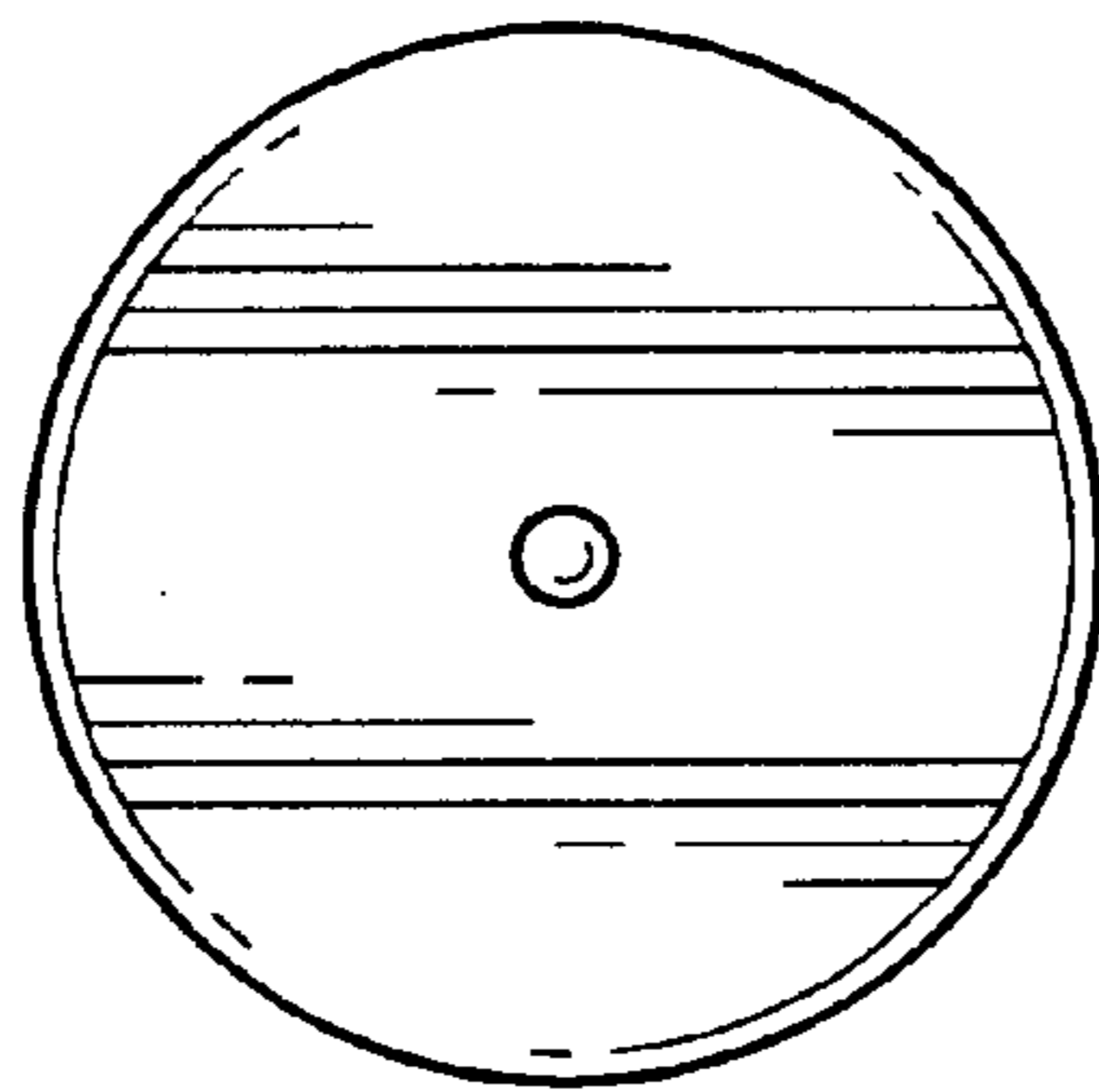
\* cited by examiner



**FIG. 1**



**FIG. 2**



**FIG. 3**