



US00D475088S

(12) **United States Design Patent**  
**Cetera**

(10) **Patent No.:** **US D475,088 S**

(45) **Date of Patent:** **\*\* May 27, 2003**

(54) **PEN CAP**

6,394,677 B2 \* 5/2002 Wang ..... 401/6  
6,435,749 B1 \* 8/2002 Lecce ..... 401/131

(75) Inventor: **Carl Cetera**, Tenafly, NJ (US)

\* cited by examiner

(73) Assignee: **Cotapaxi, Inc.**, Englewood, NJ (US)

*Primary Examiner*—Martie K. Holtje

(\*\*) Term: **14 Years**

(74) *Attorney, Agent, or Firm*—Andrew S. Naglestad; Mark D. Nielsen; The Soni Law Firm

(21) Appl. No.: **29/165,121**

(57) **CLAIM**

(22) Filed: **Aug. 5, 2002**

The ornamental design for a pen cap, as shown and described.

(51) **LOC (7) Cl.** ..... **19-06**

(52) **U.S. Cl.** ..... **D19/57; D19/44**

(58) **Field of Search** ..... D3/215; D19/35,  
D19/36, 41–51, 53–58, 81–85; 24/3.4, 3.13,  
10 R; 401/6, 7, 8, 52, 195, 98, 131, 202,  
213, 243–247, 267; 224/257

**DESCRIPTION**

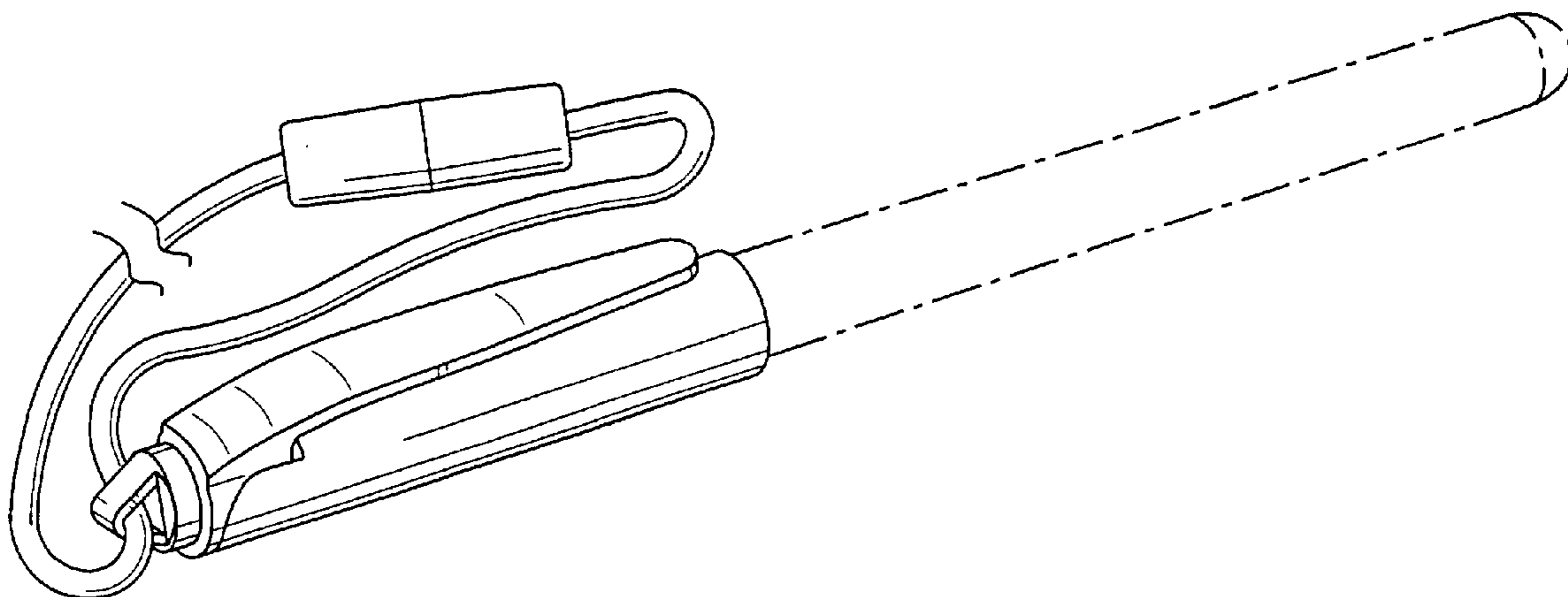
(56) **References Cited**

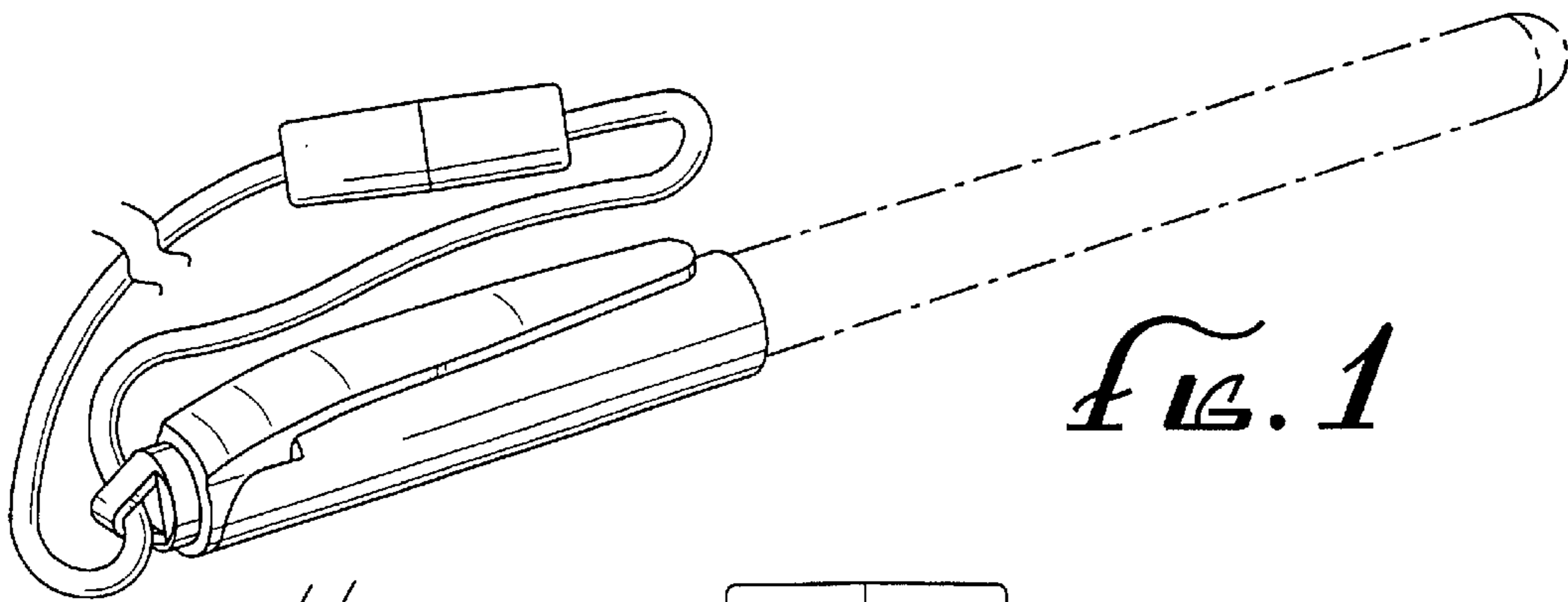
**U.S. PATENT DOCUMENTS**

1,868,200	A	*	1/1931	Freedman	.....	401/98
4,674,298	A	*	6/1987	Wimmershoff-Caplan	..	24/3.13
D316,184	S	*	4/1991	Mikkelsen	.....	D3/215
D338,037	S	*	8/1993	Miller et al.	.....	D19/44
5,259,095	A	*	11/1993	Tam	.....	24/10 R
D370,497	S	*	6/1996	Moore et al.	.....	D19/36
D431,834	S	*	10/2000	Petzold	.....	D19/44

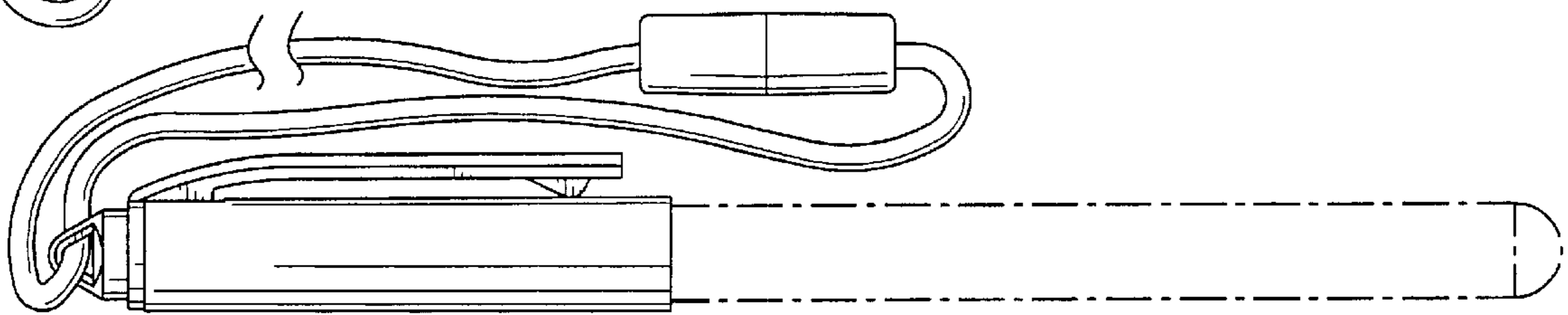
FIG. 1 is a perspective view of a pen cap;  
FIG. 2 is a left side elevational view of the pen cap of FIG. 1;  
FIG. 3 is a front elevational view of the pen cap of FIG. 1;  
FIG. 4 is a rear elevational view of the pen cap of FIG. 1;  
FIG. 5 is a top plan view of the pen cap of FIG. 1; and,  
FIG. 6 is a bottom plan view of the pen cap of FIG. 1;  
The right side elevational view of the pen cap shown in FIG. 1 is a opposite from and a mirror image of the left side elevational view of FIG. 2. The broken lines representing the pen body of FIGS. 1 through 4 are for illustrative purposes and form no part of the claimed design.

**1 Claim, 1 Drawing Sheet**

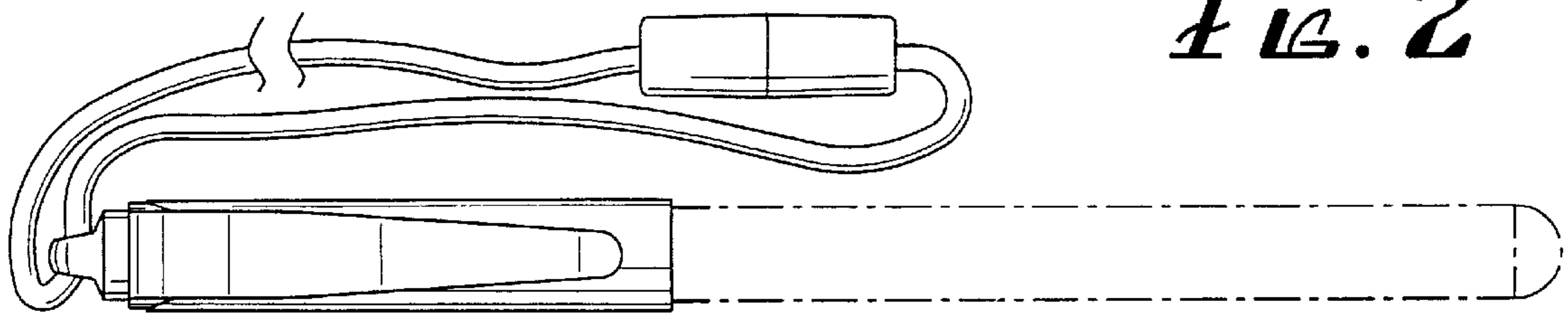




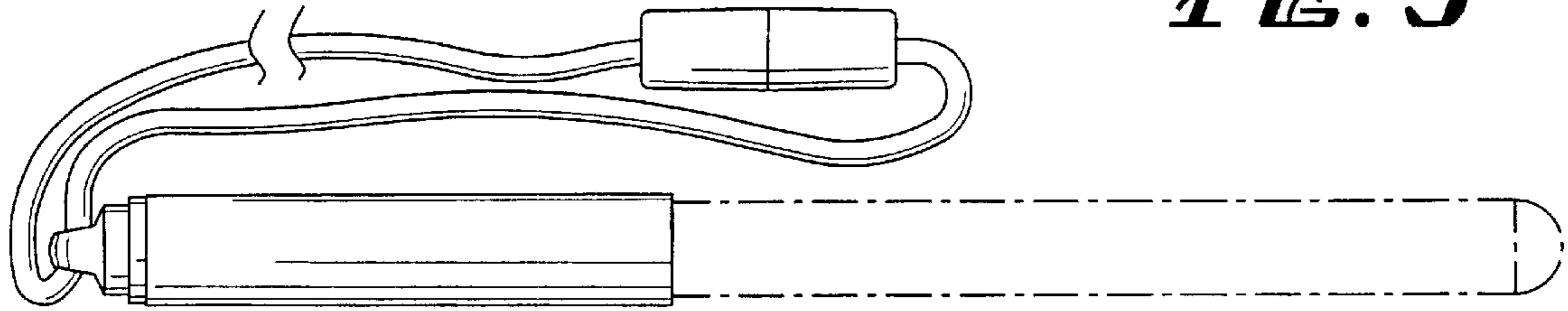
*FIG. 1*



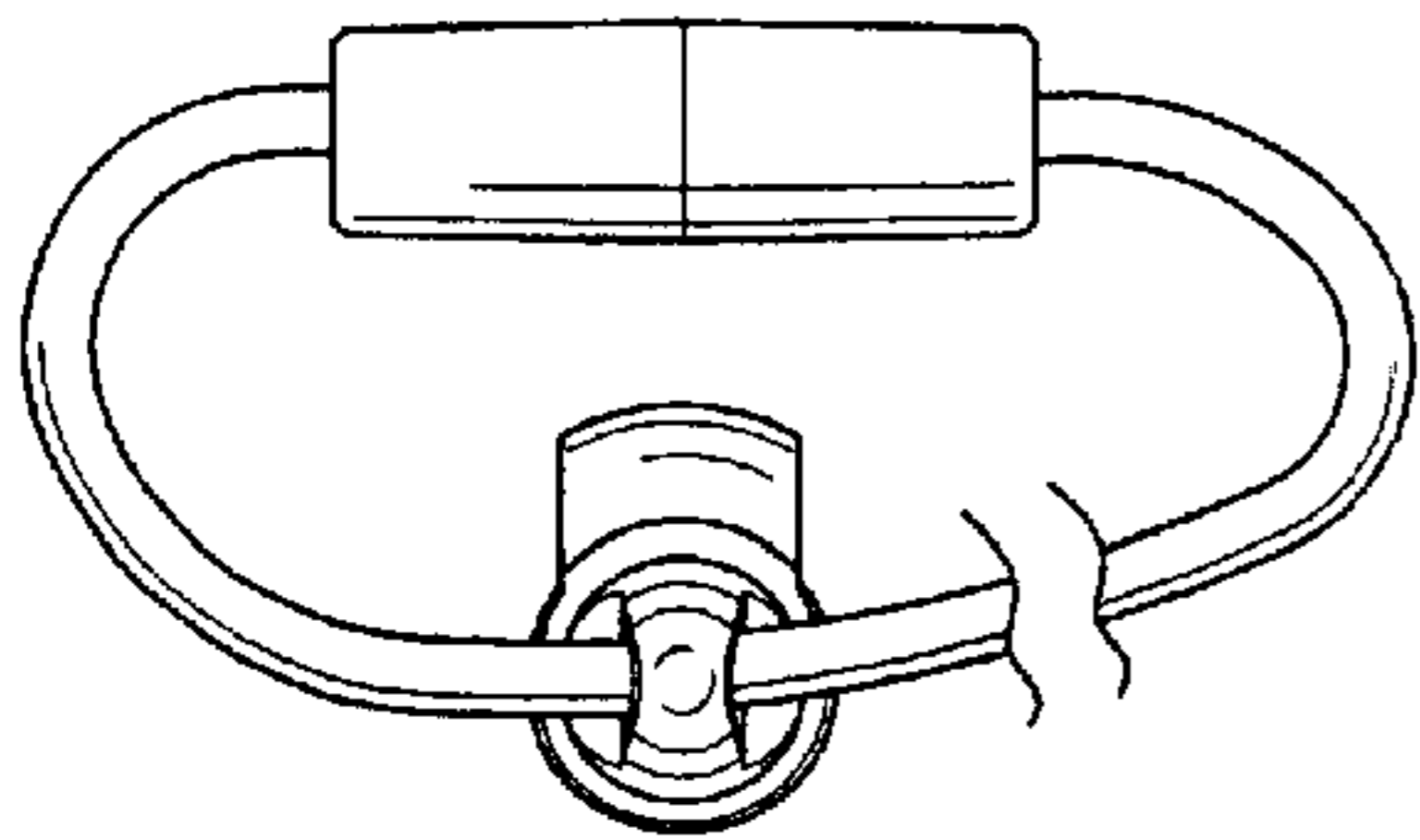
*FIG. 2*



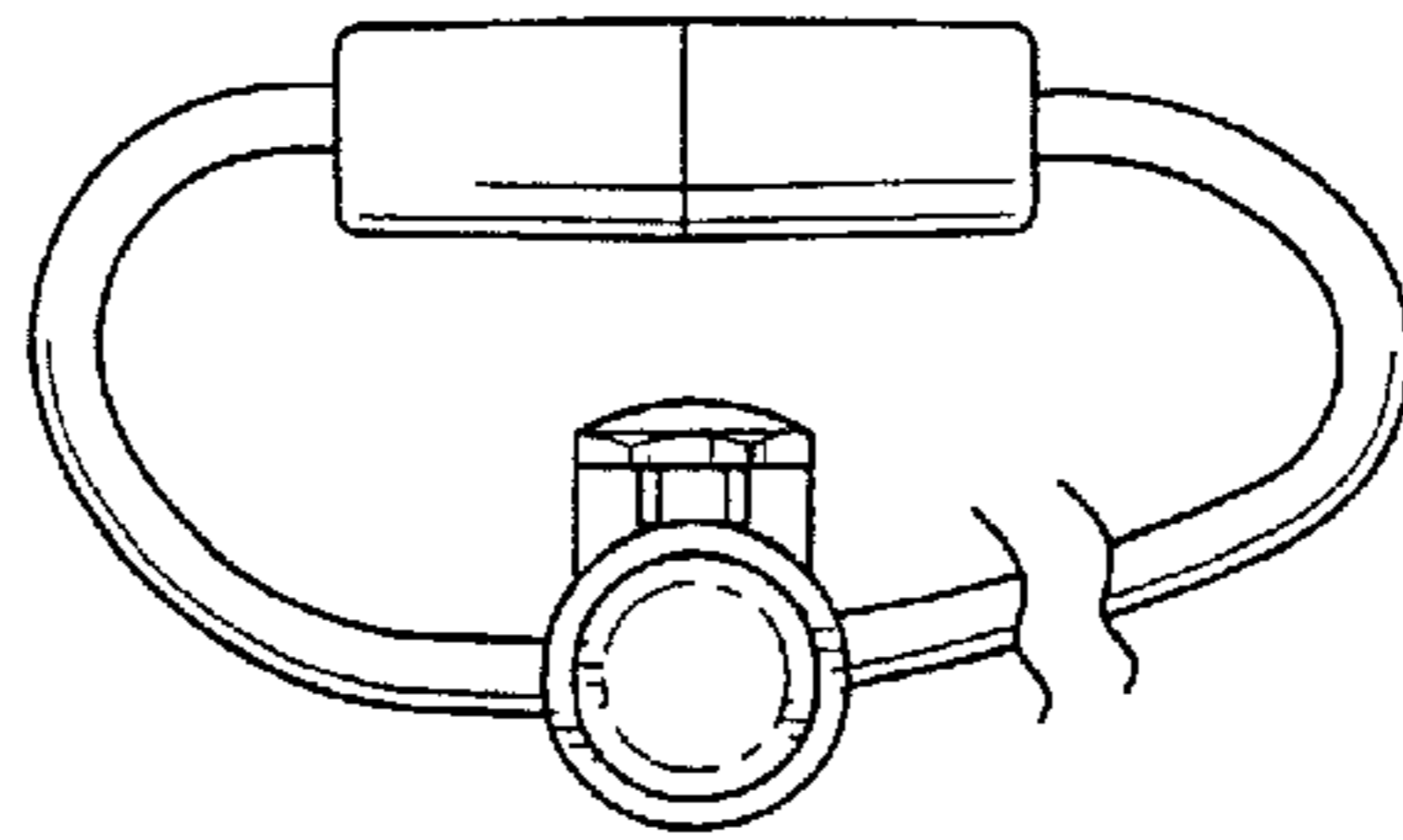
*FIG. 3*



*FIG. 4*



*FIG. 5*



*FIG. 6*