



US00D475085S

(12) **United States Design Patent**
Whitehorn

(10) **Patent No.:** **US D475,085 S**

(45) **Date of Patent:** **** May 27, 2003**

(54) **SEGMENTED MARKER**

(75) **Inventor:** **William P. Whitehorn**, Yardley, PA
(US)

(73) **Assignee:** **Rose Art Industries, Inc.**, Livingston,
NJ (US)

(**) **Term:** **14 Years**

| | | | | | |
|-------------|---|---------|---------|-------|--------|
| 4,610,556 A | * | 9/1986 | Tsai | | 401/18 |
| D290,851 S | * | 7/1987 | Yoshida | | D19/41 |
| 5,044,804 A | * | 9/1991 | Chuang | | 401/34 |
| D341,623 S | * | 11/1993 | Chuang | | D19/36 |
| D355,442 S | * | 2/1995 | Chuang | | D19/53 |
| 5,957,601 A | | 9/1999 | Weiss | | 401/18 |
| D419,187 S | * | 1/2000 | Chuang | | D19/36 |
| D422,308 S | * | 4/2000 | Chuang | | D19/36 |
| D460,485 S | * | 7/2002 | Keda | | D19/43 |

* cited by examiner

(21) **Appl. No.:** **29/168,881**

(22) **Filed:** **Oct. 10, 2002**

(51) **LOC (7) Cl.** **19-06**

(52) **U.S. Cl.** **D19/36; D19/43; D19/51**

(58) **Field of Search** D19/35, 36, 41-51,
D19/53-58, 81-85; 15/194; 401/98, 196,
202, 213, 243-247, 262, 17, 18, 19, 20,
29, 34, 96, 97, 57

Primary Examiner—Martie K. Holtje
(74) *Attorney, Agent, or Firm*—McCarter & English LLP;
Allen N. Friedman; Christine Johnson

(57) **CLAIM**

I claim the ornamental design for a segmented marker, as shown and described.

DESCRIPTION

FIG. 1 is a perspective exploded view of a segmented marker.

FIG. 2 is a perspective view of a segmented marker.

FIG. 3 is a front elevational view of segmented marker;

FIG. 4 is a top plan view of a segment marker; and,

FIG. 5 is a bottom view of a segmented marker.

(56) **References Cited**

U.S. PATENT DOCUMENTS

| | | | | | |
|-------------|---|---------|---------------|-------|--------|
| 940,797 A | * | 11/1909 | Fraser | | 401/96 |
| 1,080,633 A | * | 12/1913 | Huschl et al. | | 15/194 |
| 2,493,892 A | * | 1/1950 | McPhee | | 401/97 |
| 3,790,291 A | * | 2/1974 | Hung et al. | | 401/57 |
| 3,898,009 A | * | 8/1975 | Christensen | | 401/57 |

1 Claim, 1 Drawing Sheet

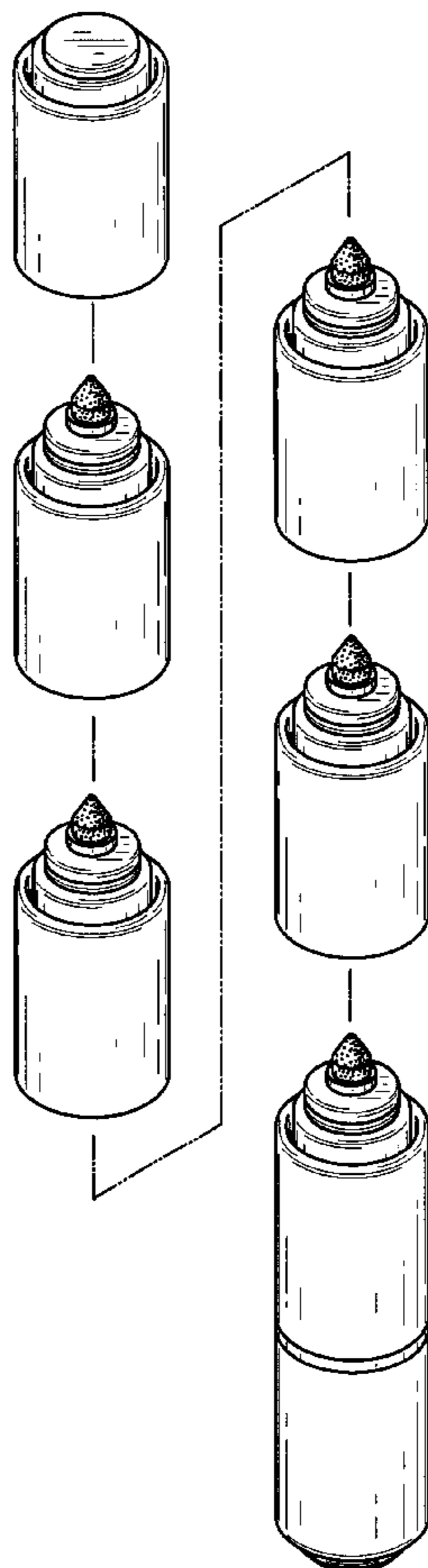


FIG. 1

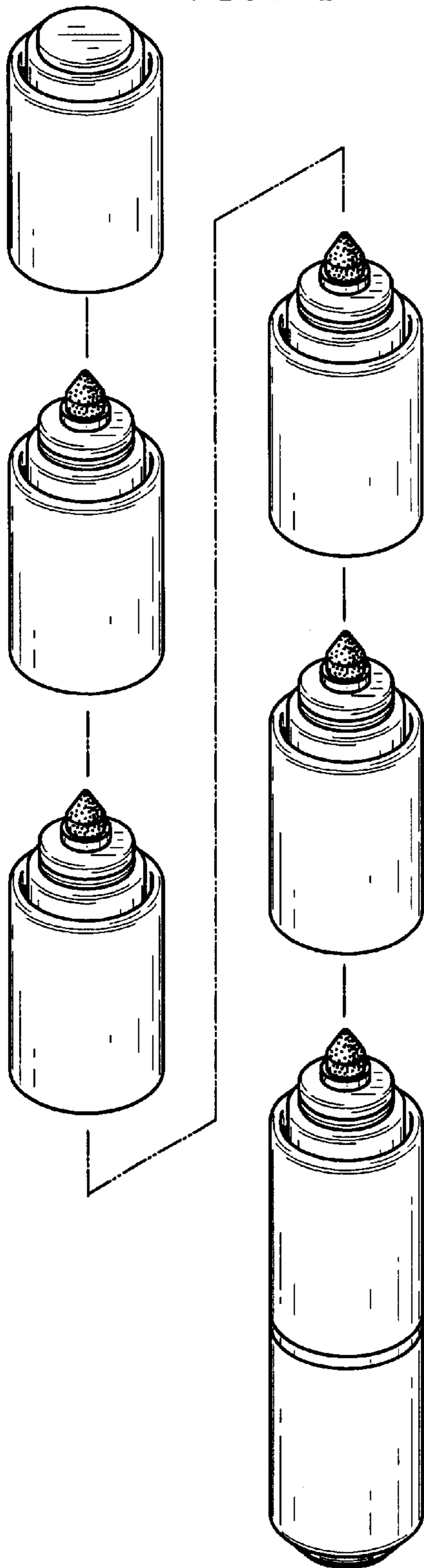


FIG. 2

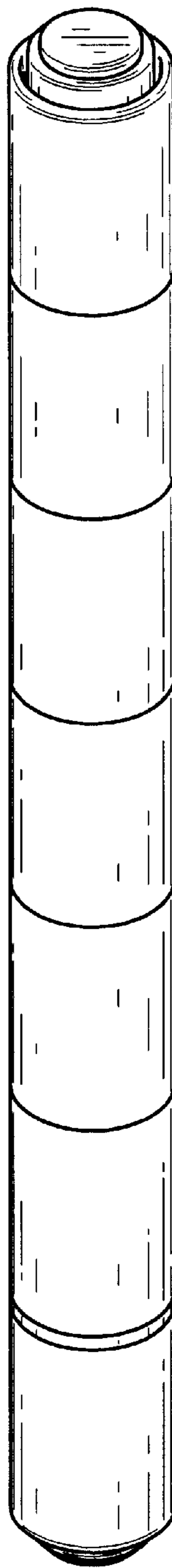


FIG. 3

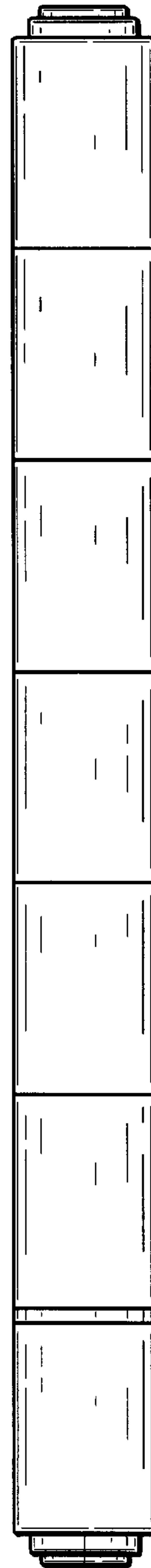


FIG. 4



FIG. 5

