



US00D475083S

(12) **United States Design Patent**
Kusanagi

(10) **Patent No.:** **US D475,083 S**

(45) **Date of Patent:** **** May 27, 2003**

(54) **PRINTER**

(75) Inventor: **Takashi Kusanagi**, Tokyo (JP)

(73) Assignee: **Canon Kabushiki Kaisha**, Tokyo (JP)

(**) Term: **14 Years**

(21) Appl. No.: **29/159,816**

(22) Filed: **Apr. 30, 2002**

(30) **Foreign Application Priority Data**

Nov. 6, 2001 (JP) 2001-032686

(51) **LOC (7) Cl.** **14-02**

(52) **U.S. Cl.** **D18/50**

(58) **Field of Search** D18/36-39, 50,
D18/53-55; 400/613, 613.1-613.4, 691-694,
690.1-690.4; D10/46, 63; 355/78; 346/29,
112, 46, 49; 33/1 M, 18.2, 18.3; D14/462-470,
420-431

(56) **References Cited**

U.S. PATENT DOCUMENTS

- D306,157 S * 2/1990 Davis et al. D18/53
- D312,652 S * 12/1990 Fukuda et al. D18/36
- D332,623 S * 1/1993 Iwanaga D10/46
- 5,237,378 A * 8/1993 McEwen D18/39
- D340,066 S * 10/1993 Iwanaga D18/53

- D347,239 S * 5/1994 Okamoto et al. D18/53
- D350,973 S * 9/1994 Lucker D10/46
- D400,917 S * 11/1998 Kajikawa et al. D18/53
- D407,740 S * 4/1999 Ina et al. D18/53
- D408,848 S * 4/1999 Flores et al. D18/53
- 5,988,904 A * 11/1999 Brugue et al. 400/613
- D443,889 S * 6/2001 Yamano et al. D18/50
- D445,126 S * 7/2001 Shimizu D10/46
- D445,824 S * 7/2001 Yamano et al. D18/53
- D450,755 S * 11/2001 Gimenez et al. D18/53
- D464,080 S * 10/2002 Yamano et al. D18/53

* cited by examiner

Primary Examiner—Cathy Anne MacCormac

(74) *Attorney, Agent, or Firm*—Fitzpatrick, Cella, Harper & Scinto

(57) **CLAIM**

The ornamental design for a printer, as shown and described.

DESCRIPTION

FIG. 1 is a front view of a printer showing my new design; FIG. 2 is a rear view thereof; FIG. 3 is a top plan view thereof; FIG. 4 is a bottom plan view thereof; FIG. 5 is a left side view thereof; FIG. 6 is a right side view thereof; and, FIG. 7 is a perspective view thereof.

1 Claim, 6 Drawing Sheets

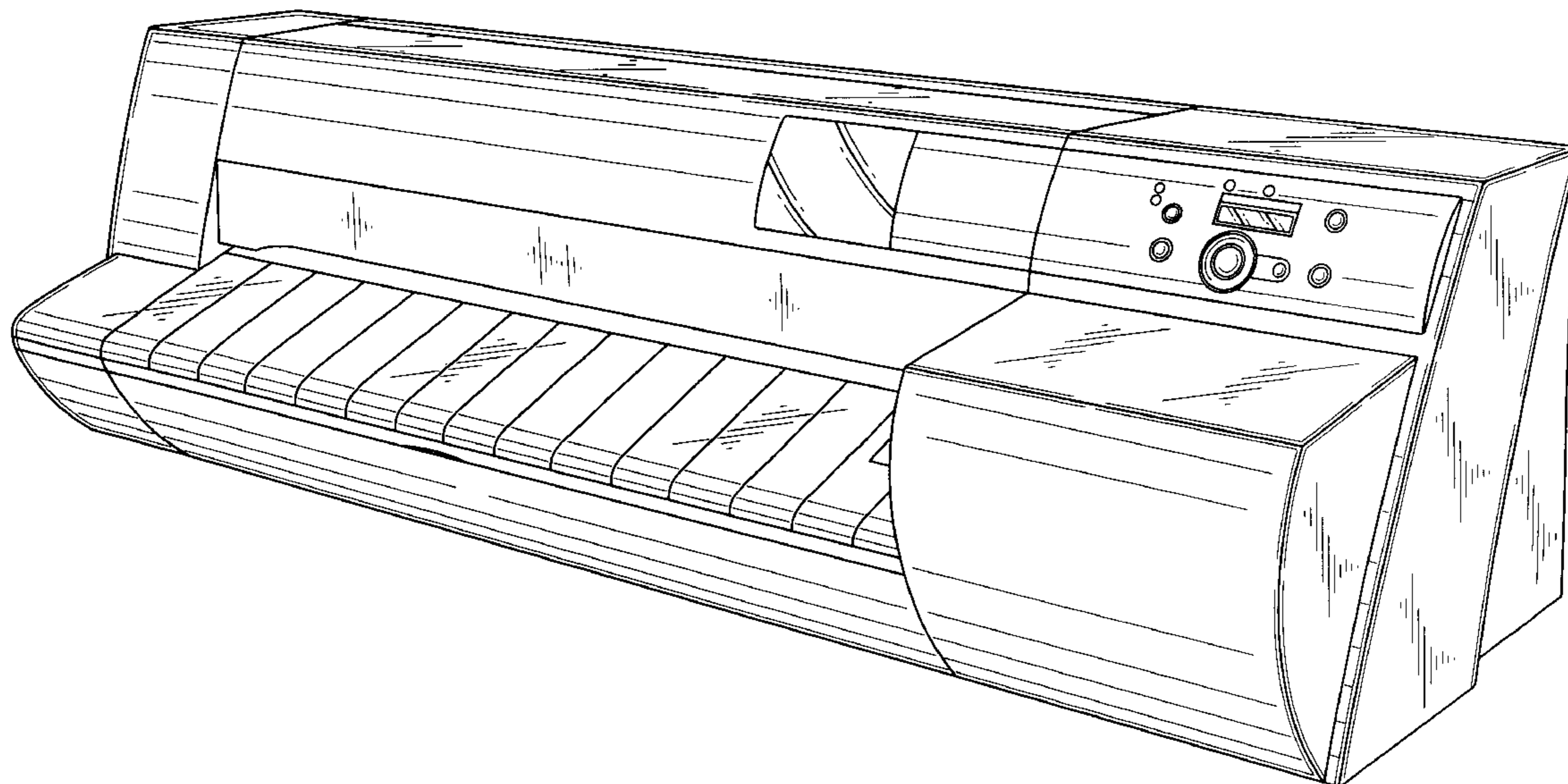


FIG. 1

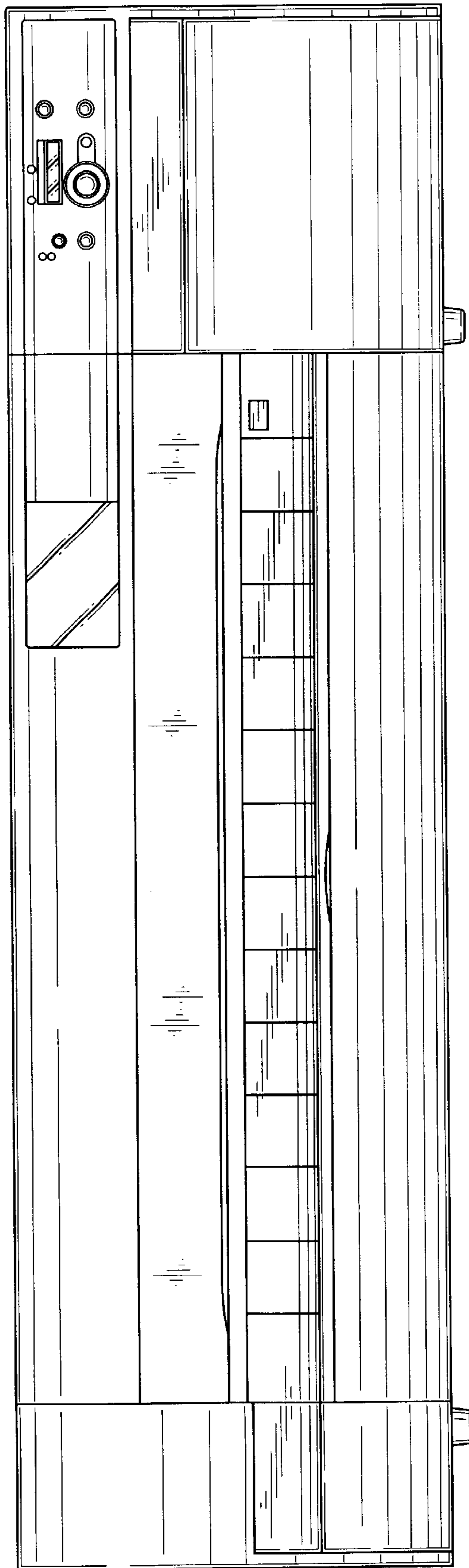


FIG. 2

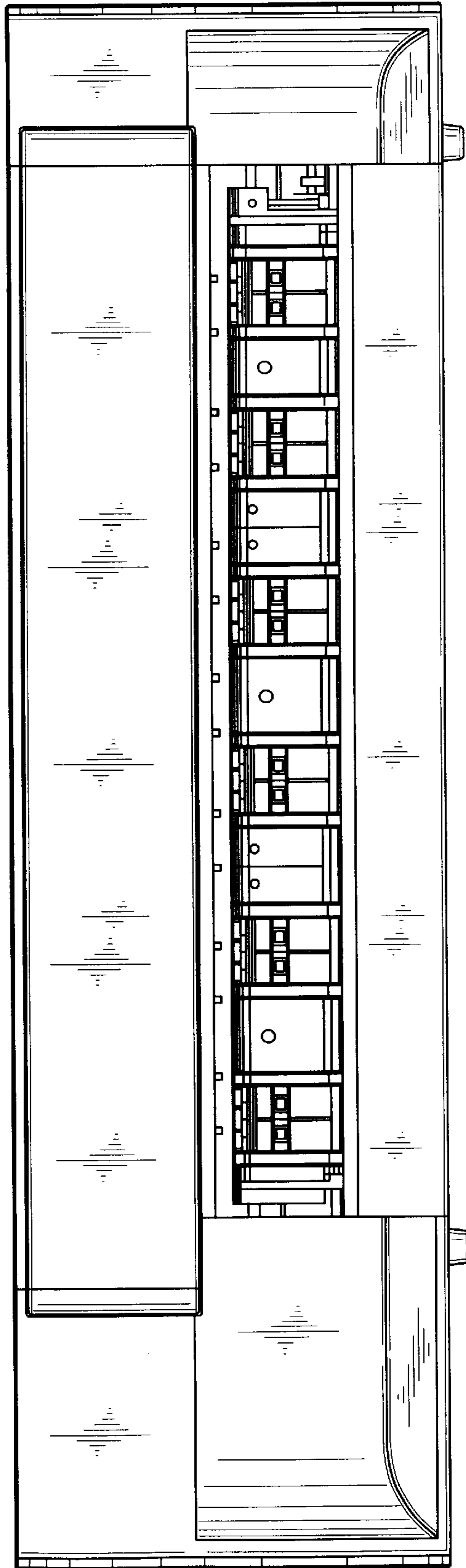


FIG. 3

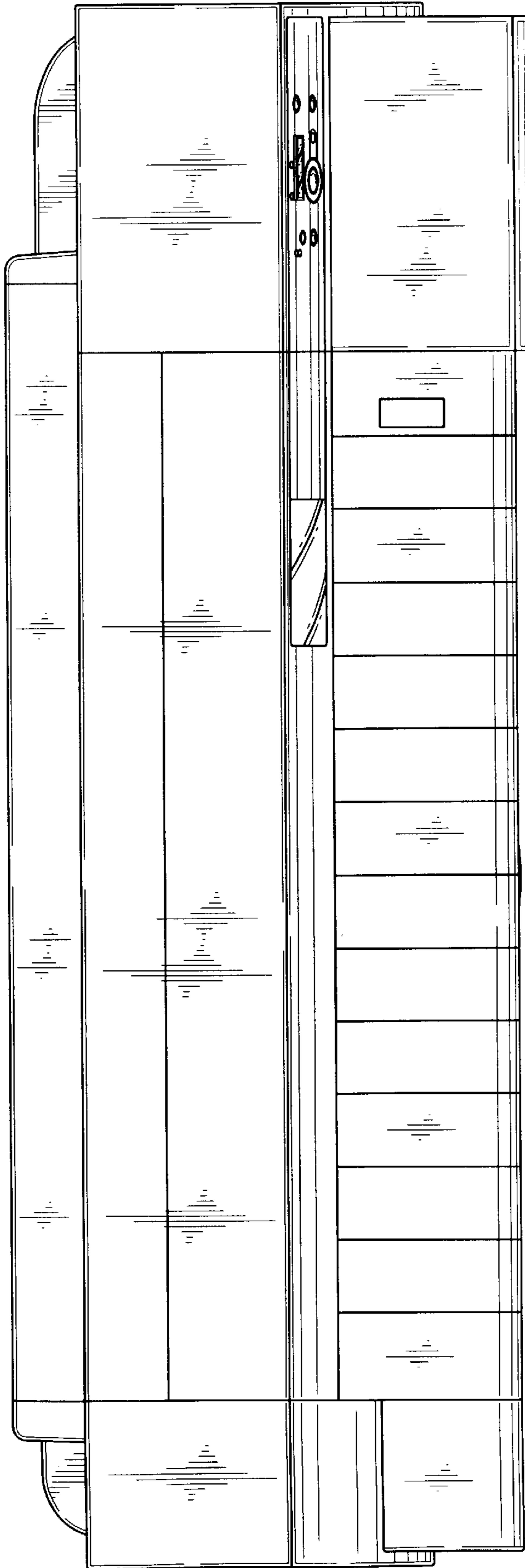


FIG. 4

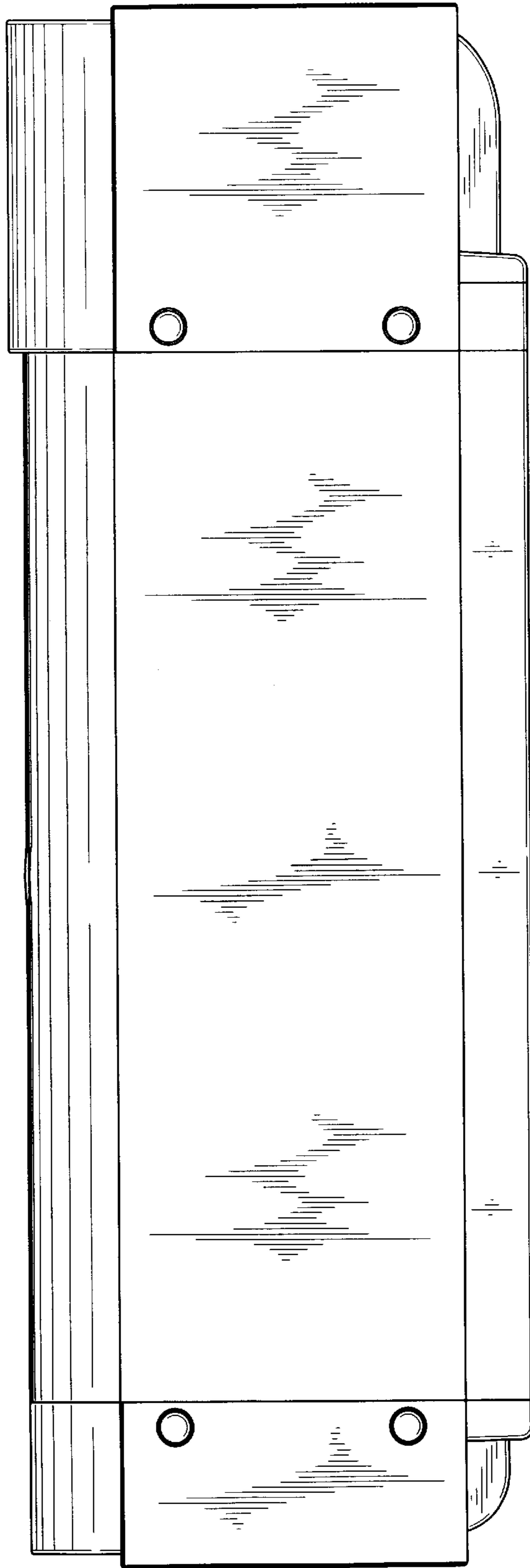


FIG. 5

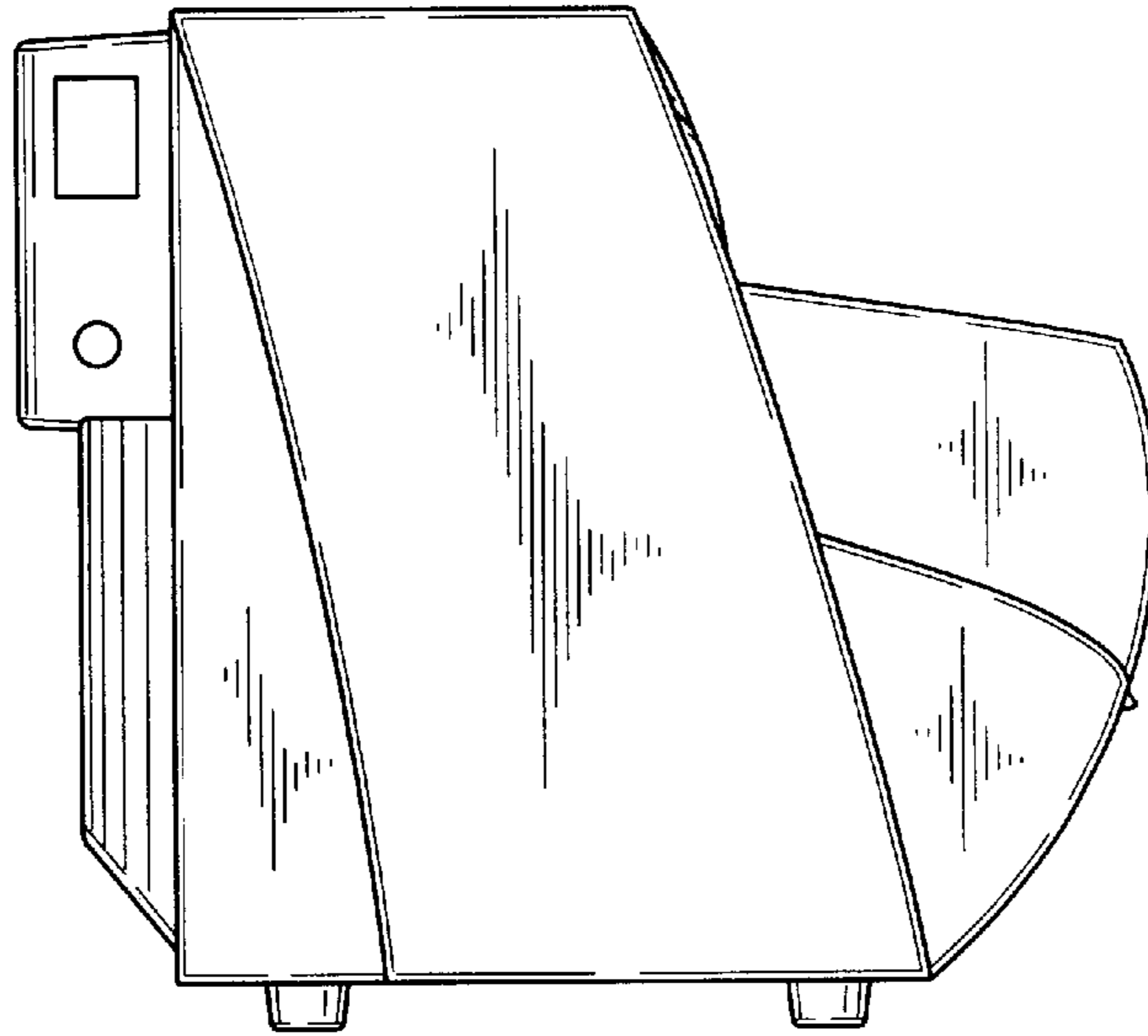


FIG. 6

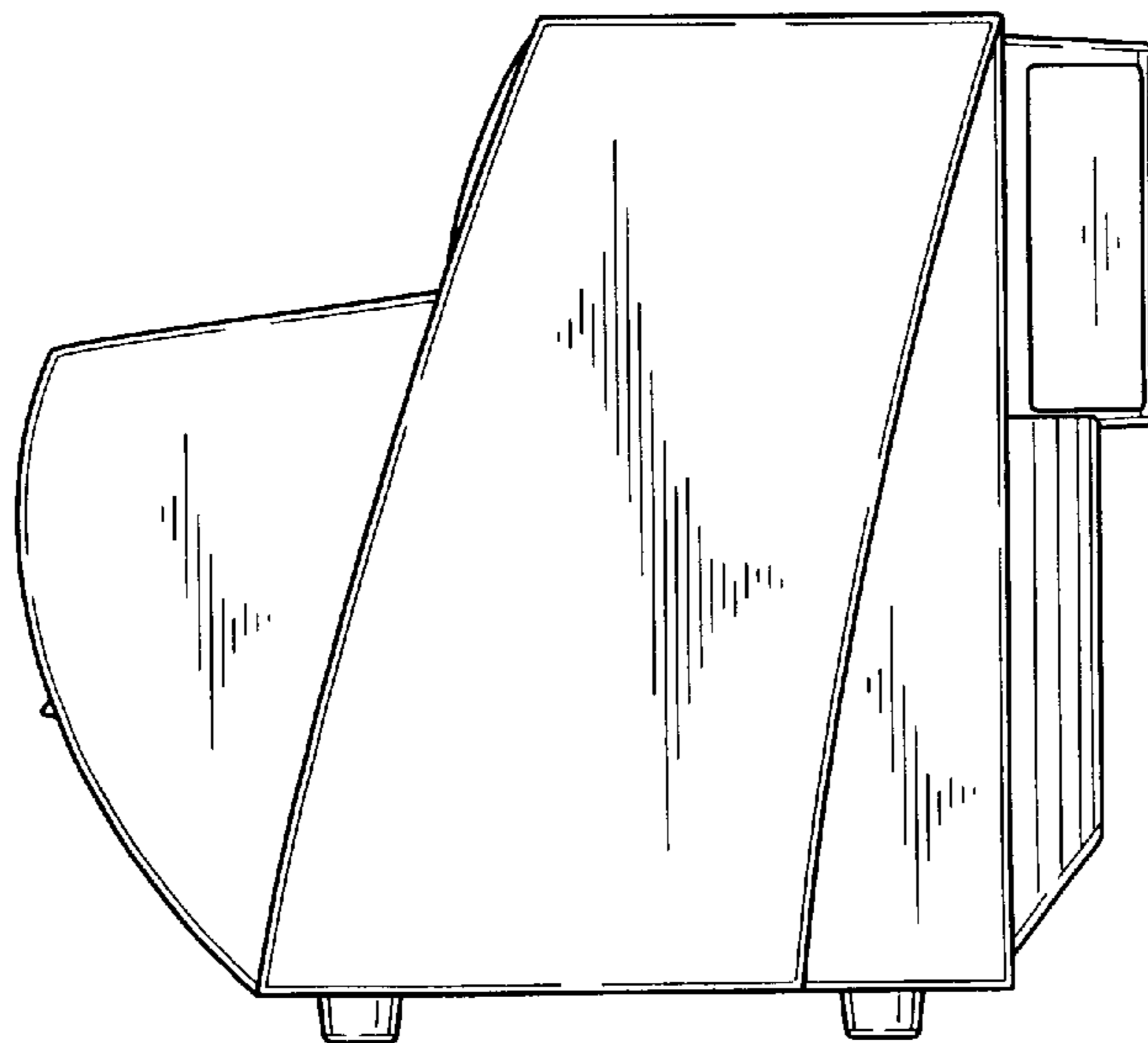


FIG. 7

