



US00D475082S

(12) **United States Design Patent**
Kubota et al.

(10) **Patent No.:** **US D475,082 S**

(45) **Date of Patent:** **** May 27, 2003**

(54) **IMAGE FORMING APPARATUS**

(75) Inventors: **Takeshi Kubota, Mishima (JP);
Teruhiko Sasaki, Mishima (JP)**

(73) Assignee: **Canon Kabushiki Kaisha, Tokyo (JP)**

(**) Term: **14 Years**

(21) Appl. No.: **29/168,908**

(22) Filed: **Oct. 11, 2002**

(30) **Foreign Application Priority Data**

Apr. 24, 2002 (JP) 2002-011002

(51) **LOC (7) Cl.** **16-03**

(52) **U.S. Cl.** **D18/40**

(58) **Field of Search** D18/36, 40, 43,
D18/56; 399/24, 25, 27, 31-33, 110, 111,
119, 122, 130, 252, 262; 222/DIG. 1

(56) **References Cited**

U.S. PATENT DOCUMENTS

D367,880 S * 3/1996 Miyamoto D18/43
D394,082 S * 5/1998 Tashiro et al. D18/43

D410,489 S * 6/1999 Miyazawa D18/43
D415,191 S * 10/1999 Okada D18/43
D419,181 S * 1/2000 Matsumoto D18/40
D462,984 S 9/2002 Hayashi et al. D18/40

* cited by examiner

Primary Examiner—Caron D. Veynar

(74) *Attorney, Agent, or Firm*—Fitzpatrick, Cella, Harper & Scinto

(57) **CLAIM**

The ornamental design for an image forming apparatus, as shown and described.

DESCRIPTION

FIG. 1 is a front view of an image forming apparatus showing our new design;
FIG. 2 is a rear view thereof;
FIG. 3 is a top plan view thereof;
FIG. 4 is a bottom plan view thereof;
FIG. 5 is a left side view thereof;
FIG. 6 is a right side view thereof; and,
FIG. 7 is a perspective view thereof.

1 Claim, 6 Drawing Sheets

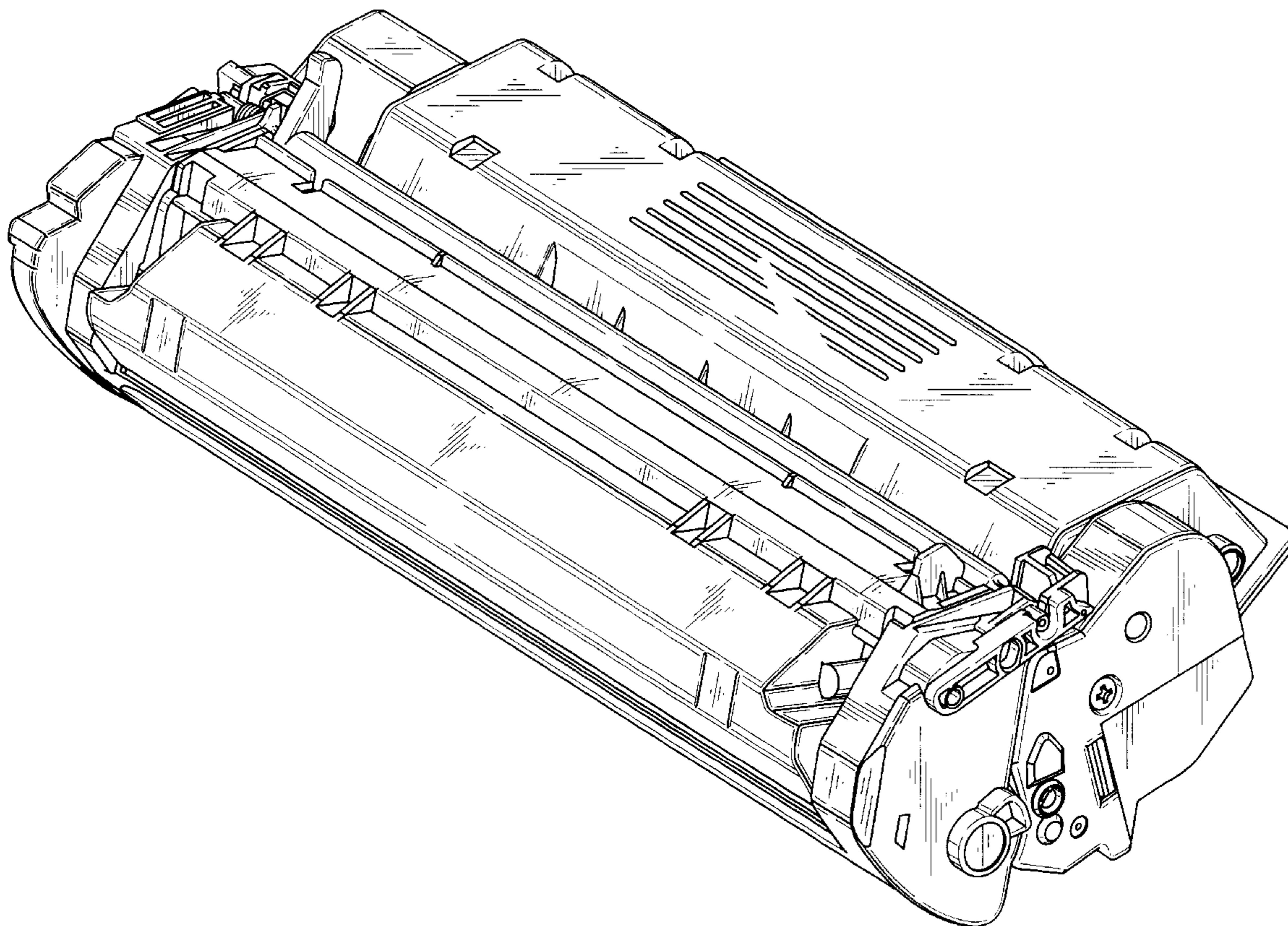


FIG. 1

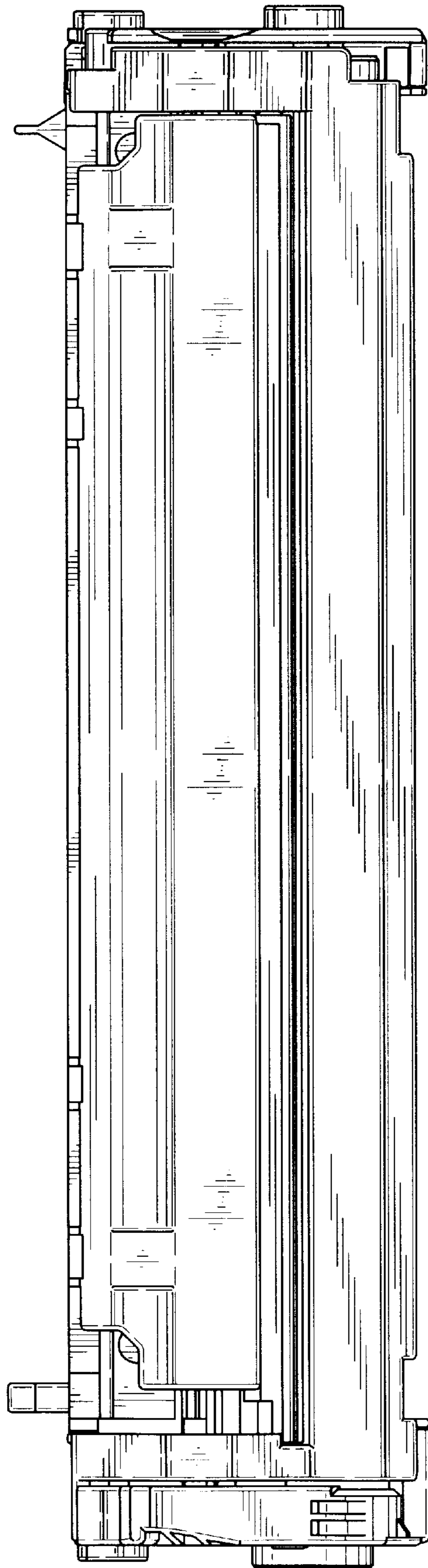


FIG. 2

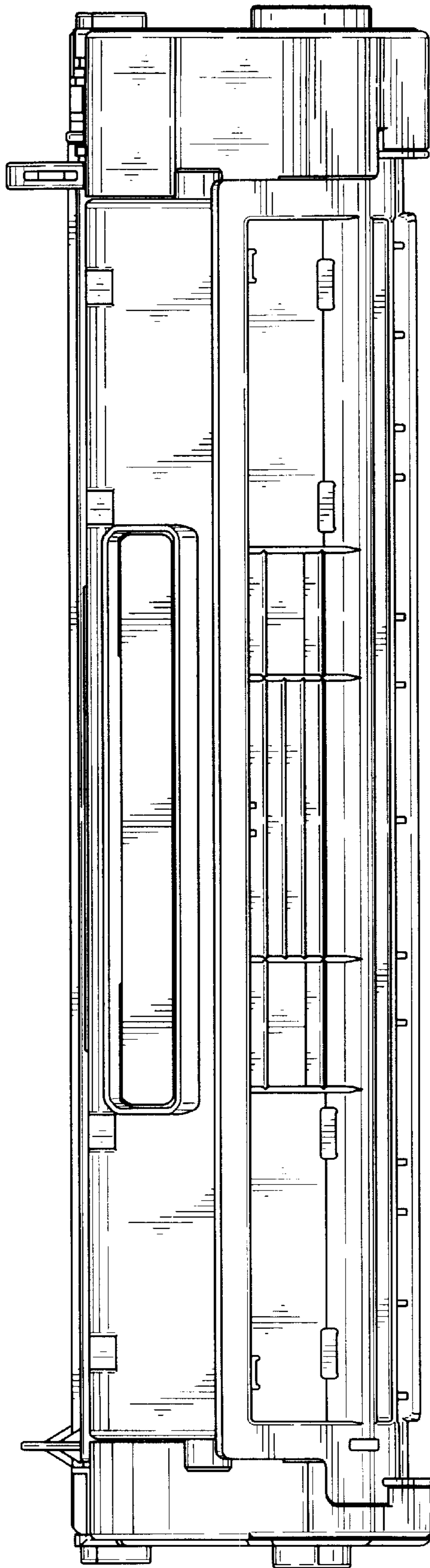


FIG. 3

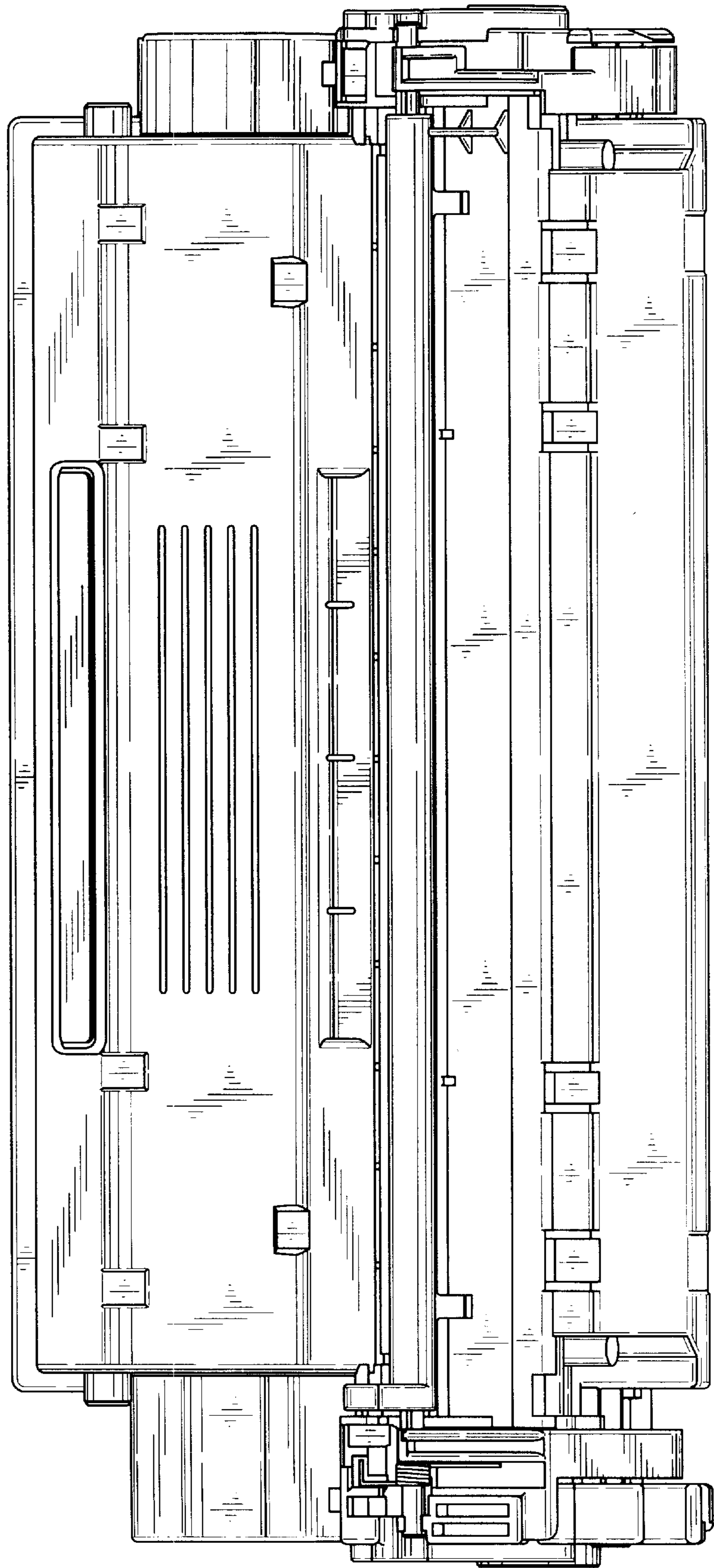


FIG. 4

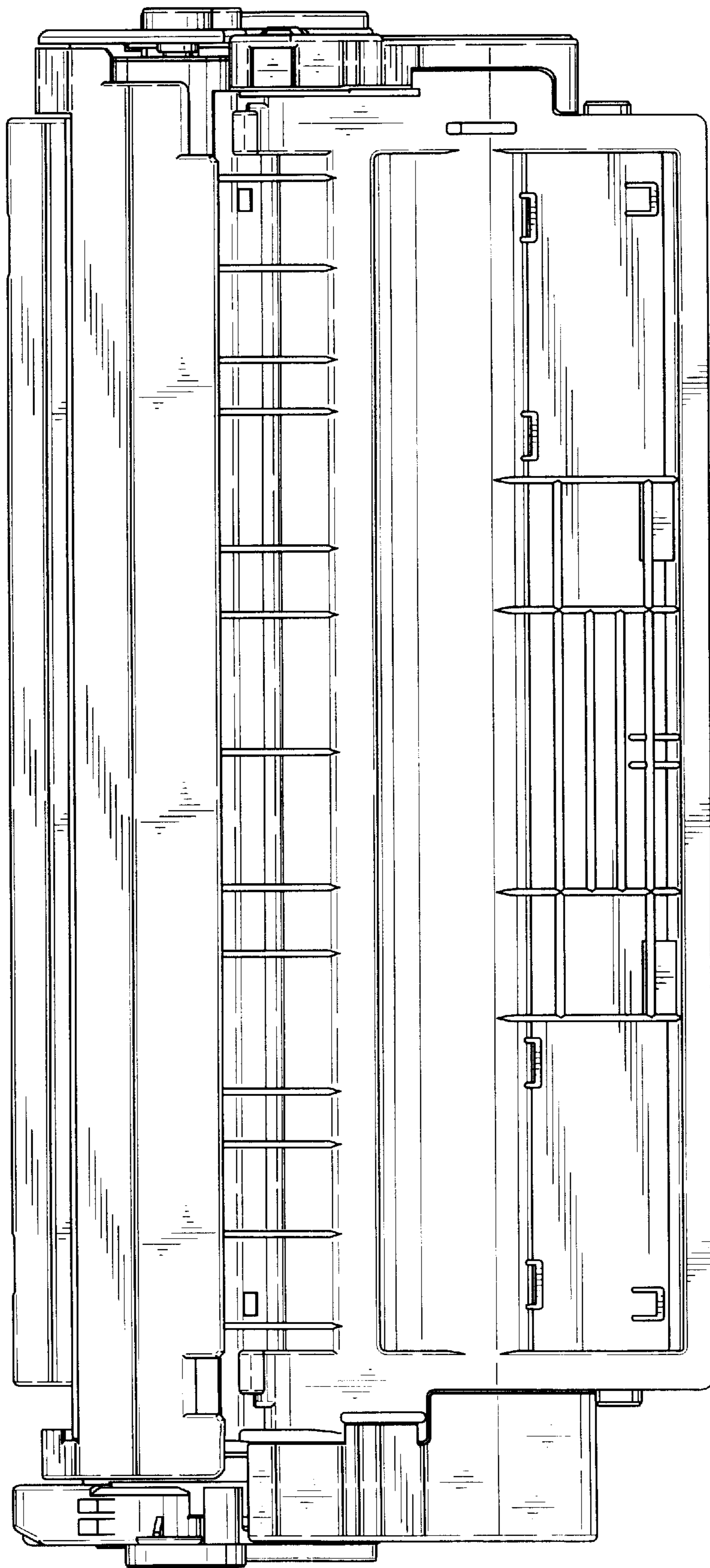


FIG. 5

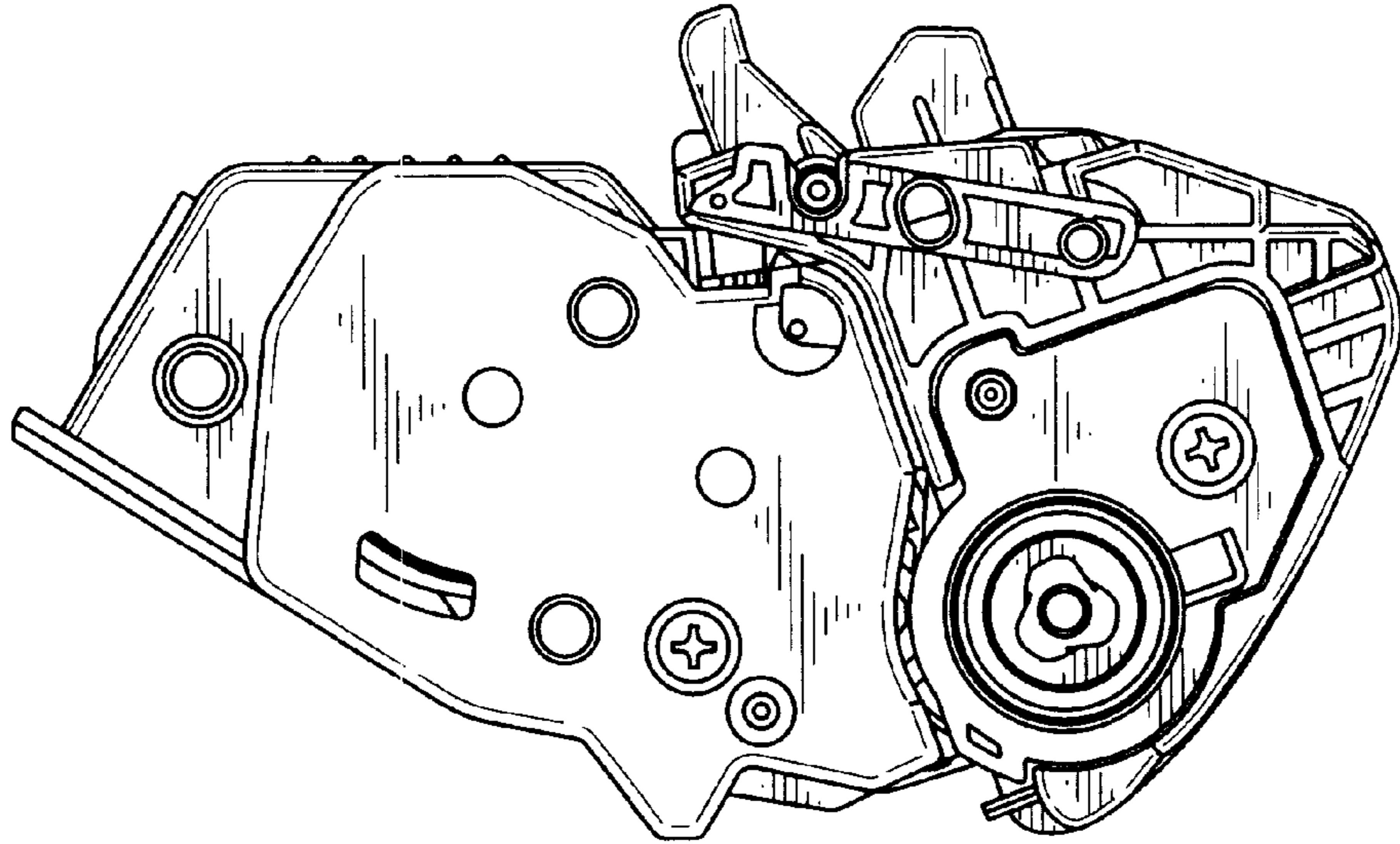


FIG. 6

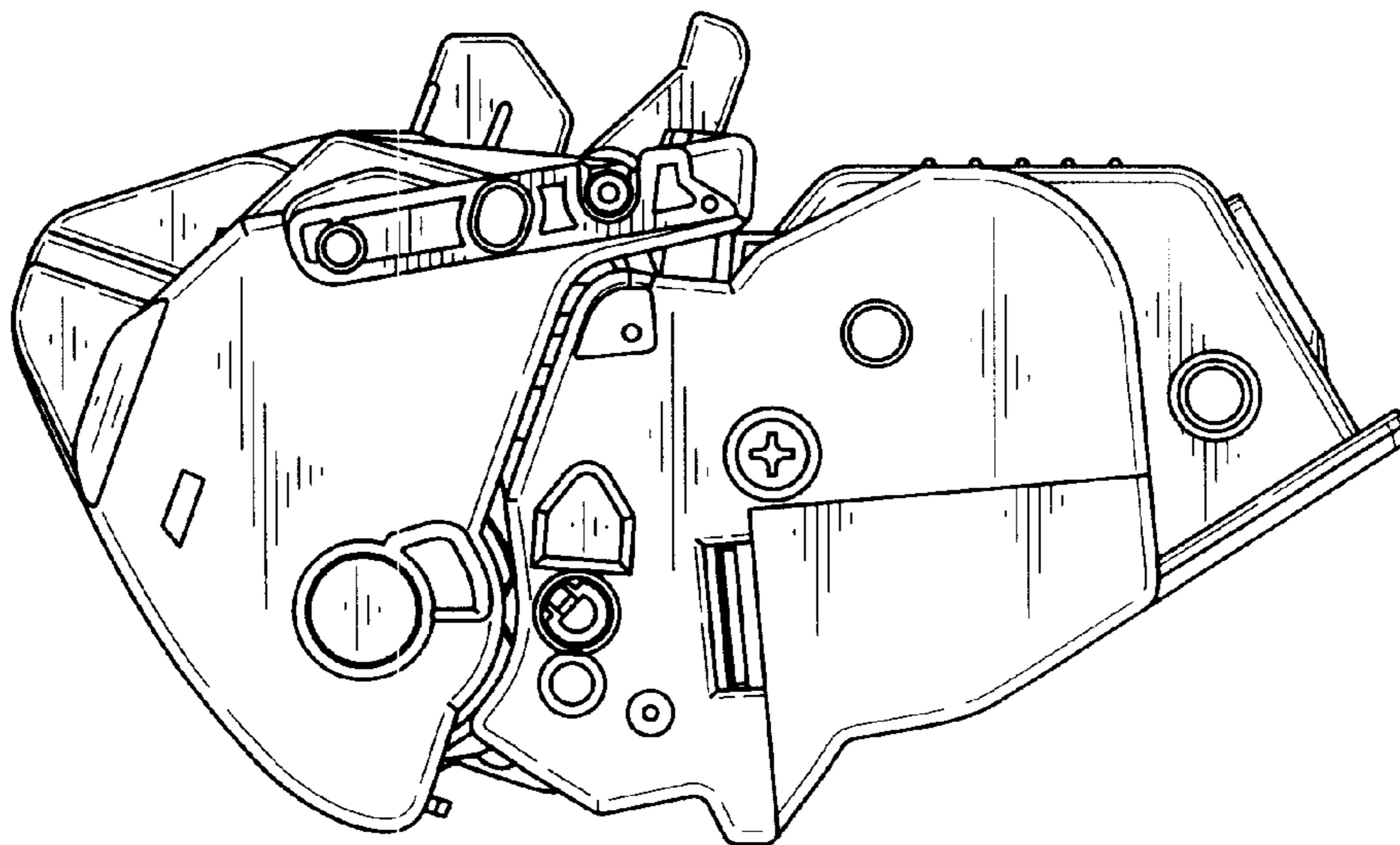


FIG. 7

