



US00D475074S

(12) **United States Design Patent**  
**Shiotani**

(10) **Patent No.:** **US D475,074 S**

(45) **Date of Patent:** **\*\* May 27, 2003**

(54) **CAMERA**

(75) **Inventor:** **Yasushi Shiotani, Miura-gun (JP)**

(73) **Assignee:** **Canon Kabushiki Kaisha, Tokyo (JP)**

(\*\*) **Term:** **14 Years**

(21) **Appl. No.:** **29/163,550**

(22) **Filed:** **Jul. 9, 2002**

(30) **Foreign Application Priority Data**

Jan. 23, 2002 (JP) ..... 2002-001421

(51) **LOC (7) Cl.** ..... **16-01**

(52) **U.S. Cl.** ..... **D16/209**

(58) **Field of Search** ..... **D16/200-205,**  
**D16/208, 209, 218; 396/535-541**

(56) **References Cited**

**U.S. PATENT DOCUMENTS**

- D381,350 S \* 7/1997 Hamamura ..... D16/209
- D386,775 S 11/1997 Shiotani et al. .... D16/218
- 5,835,810 A \* 11/1998 Lawther et al. .... 396/538

- D431,830 S \* 10/2000 Koinuma ..... D16/209
- D446,536 S \* 8/2001 Kim ..... D16/209
- D457,903 S \* 5/2002 Nasu ..... D16/202
- D463,471 S \* 9/2002 Tanaka ..... D16/209

\* cited by examiner

*Primary Examiner*—Adir Aronovich

(74) *Attorney, Agent, or Firm*—Fitzpatrick, Cella, Harper & Scinto

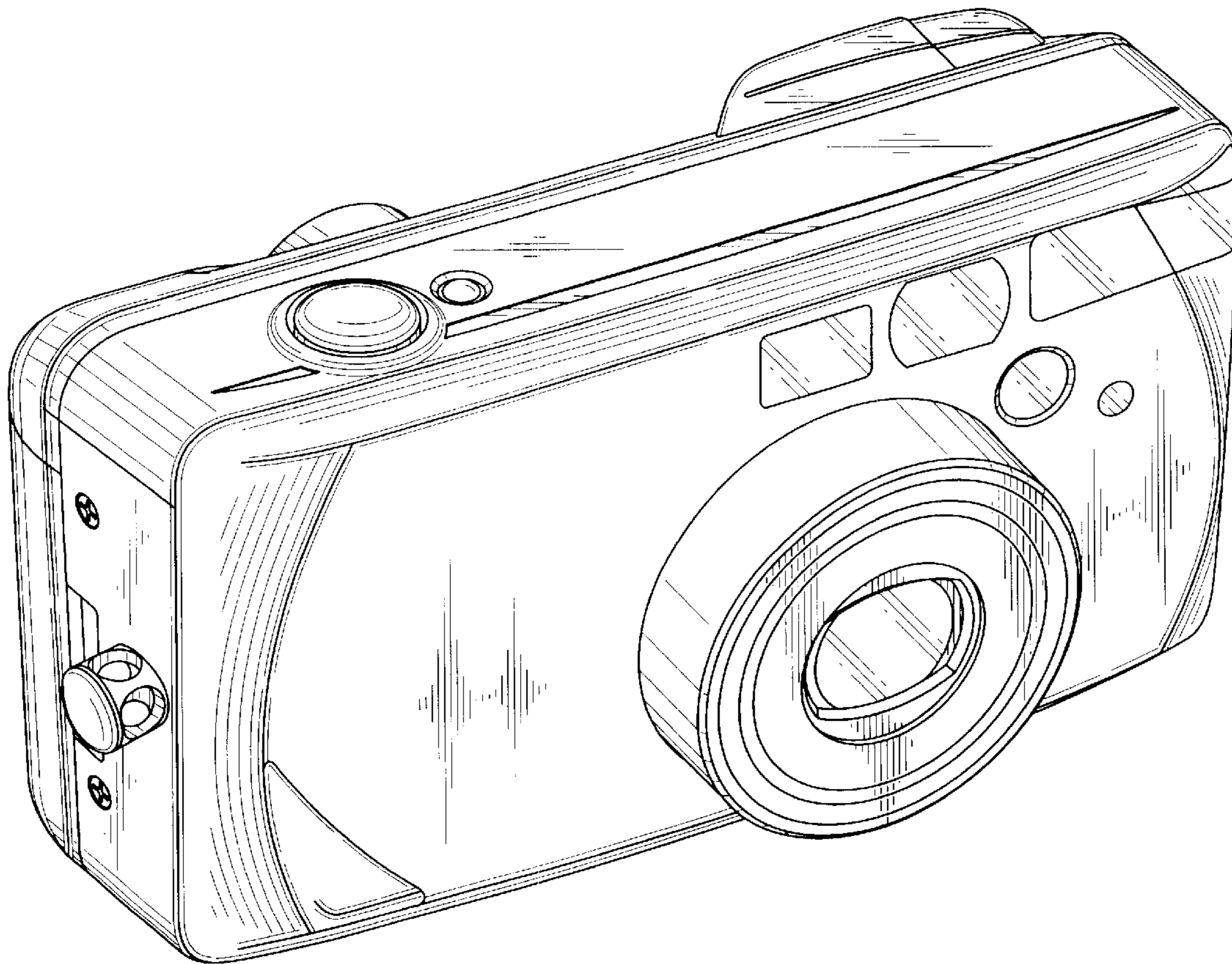
(57) **CLAIM**

The ornamental design for a camera, as shown and described.

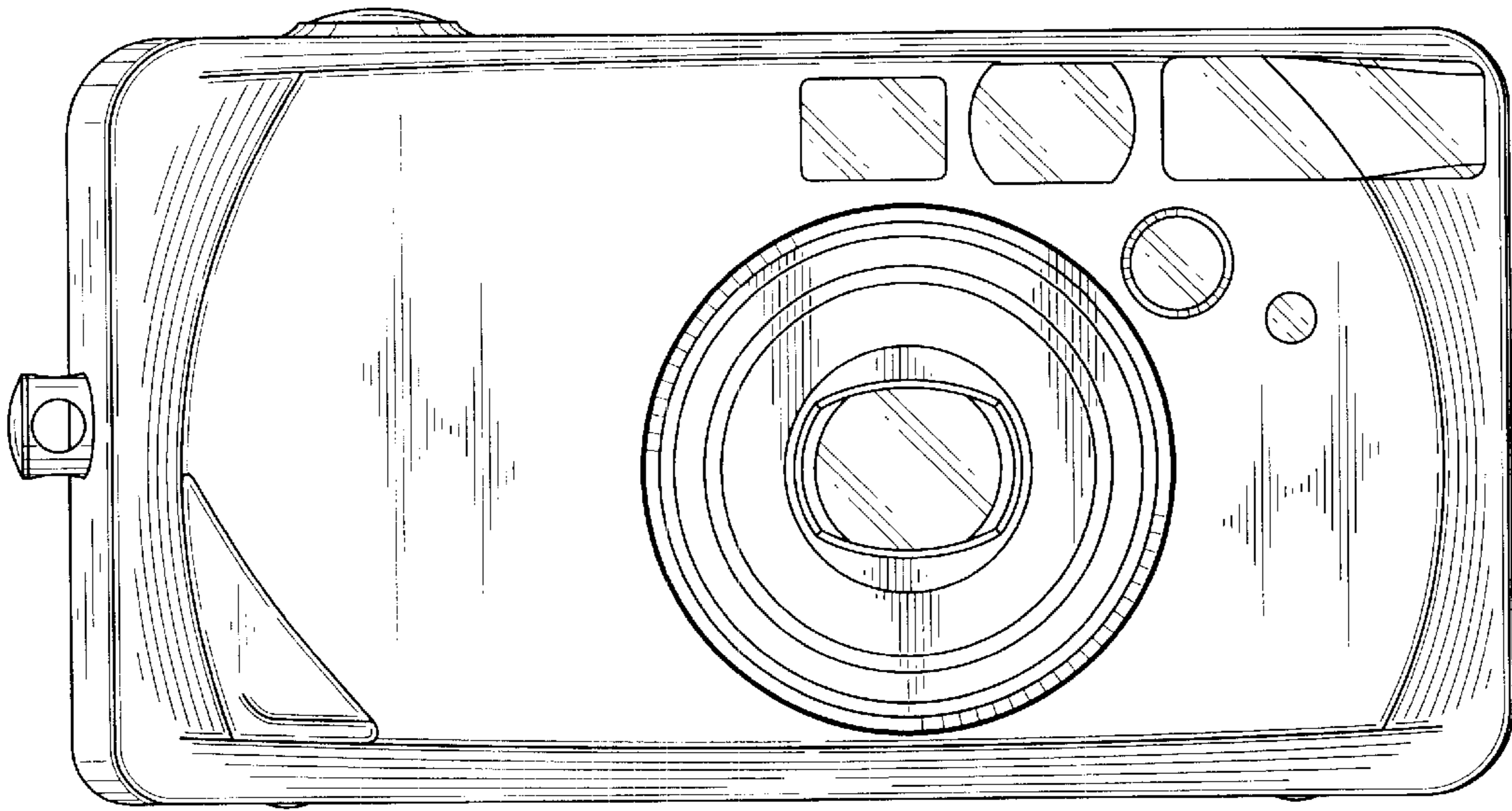
**DESCRIPTION**

FIG. 1 is a front view of a camera showing my new design; FIG. 2 is a rear view thereof; FIG. 3 is a top plan view thereof; FIG. 4 is a bottom plan view thereof; FIG. 5 is a left side view thereof; FIG. 6 is a right side view thereof; and, FIG. 7 is a perspective view thereof.

**1 Claim, 3 Drawing Sheets**



*FIG. 1*



*FIG. 2*

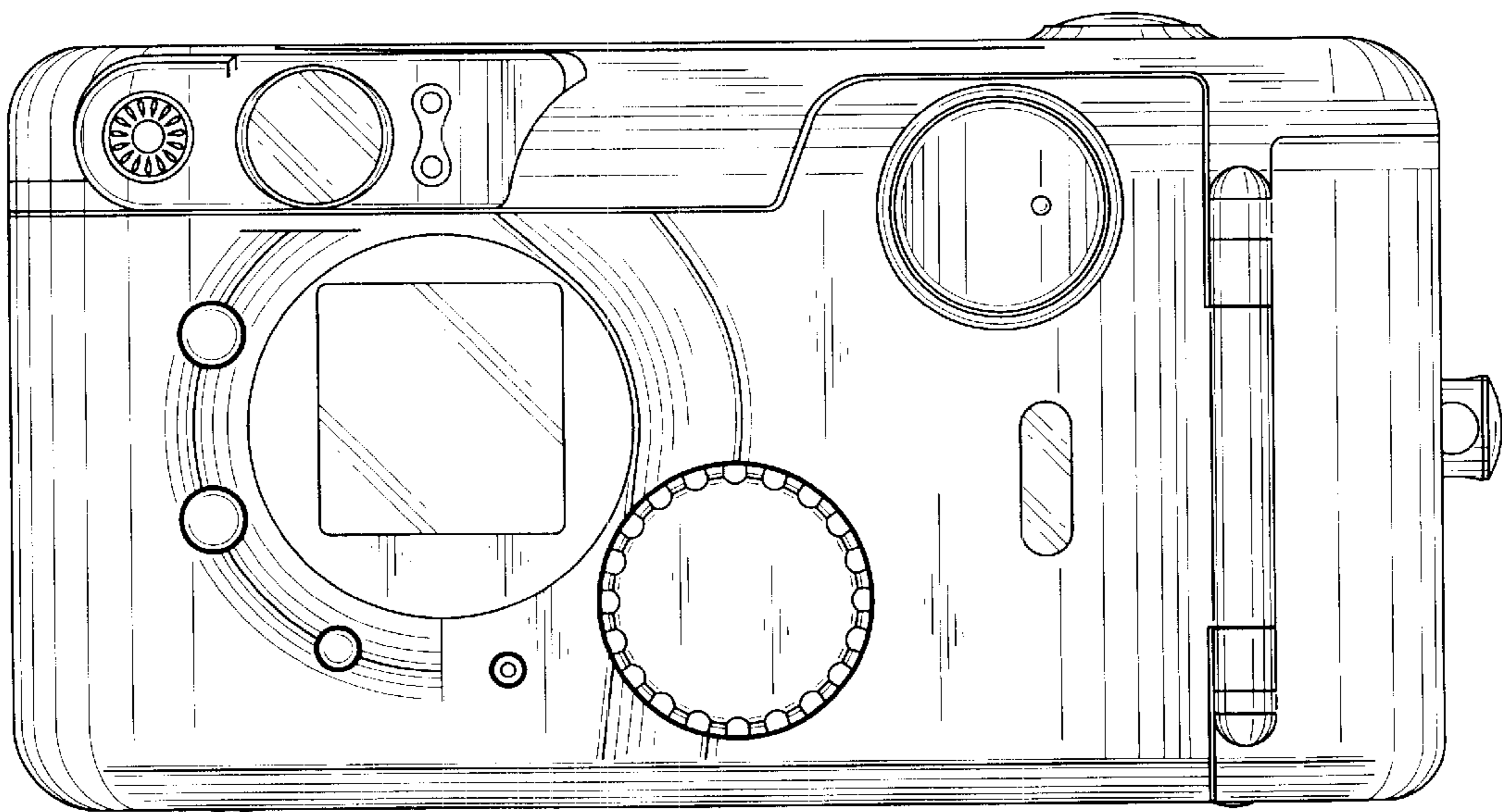


FIG. 3

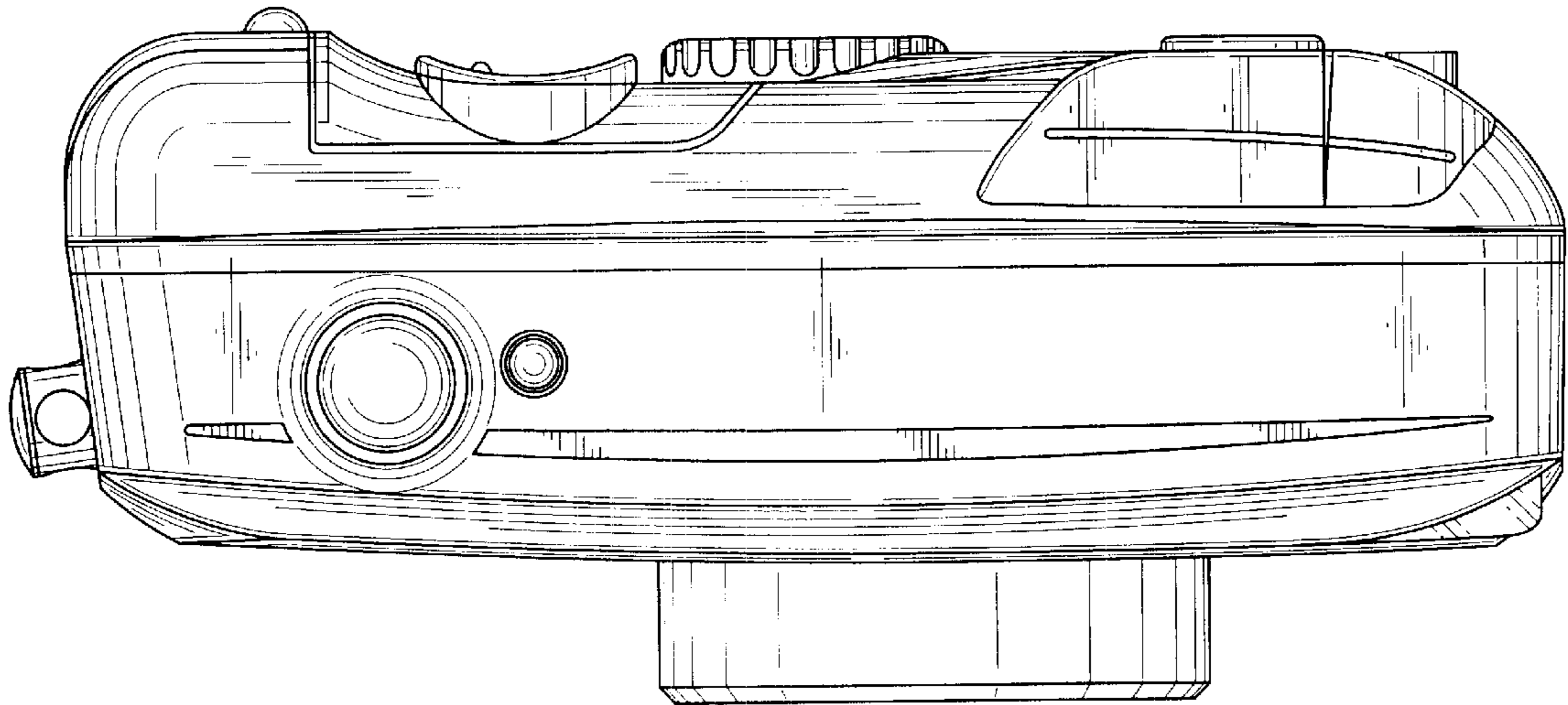
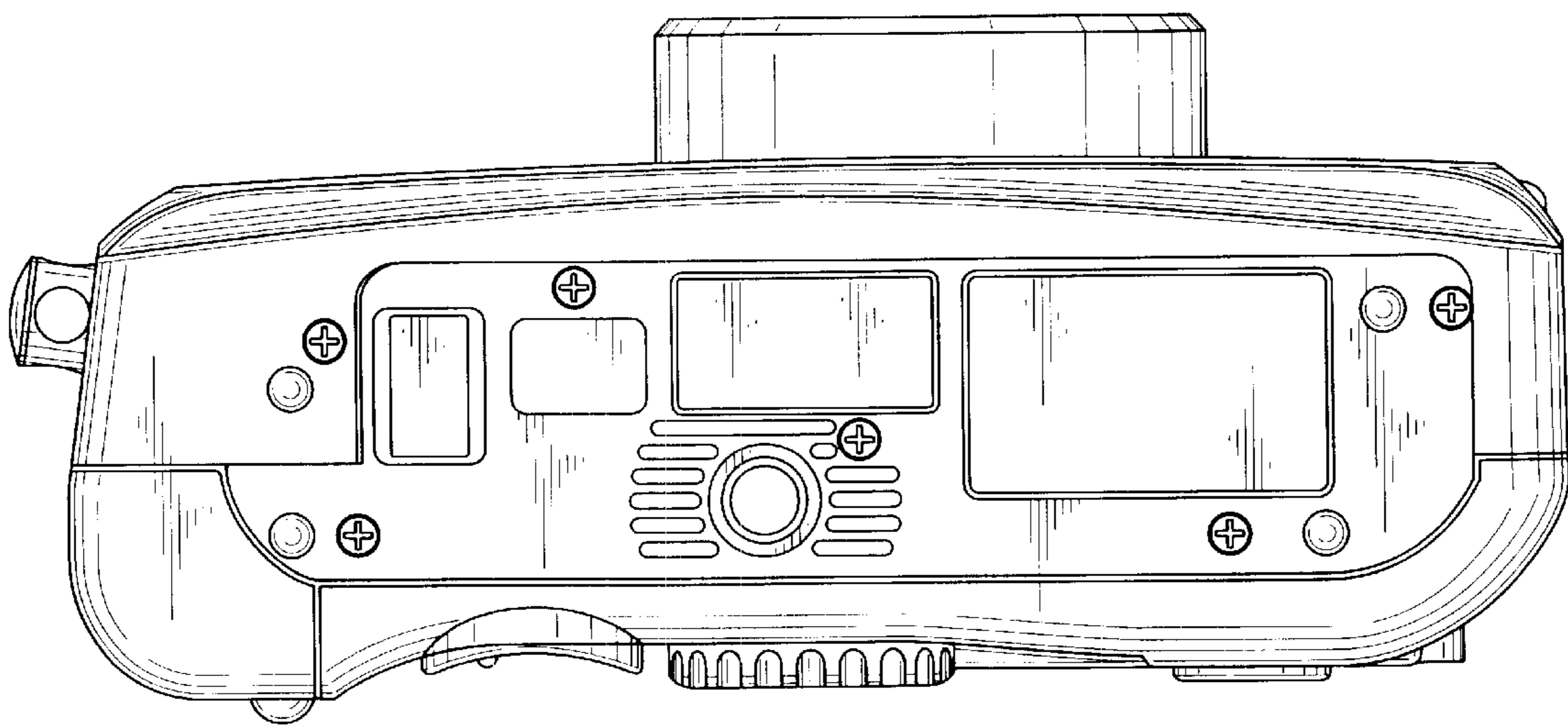
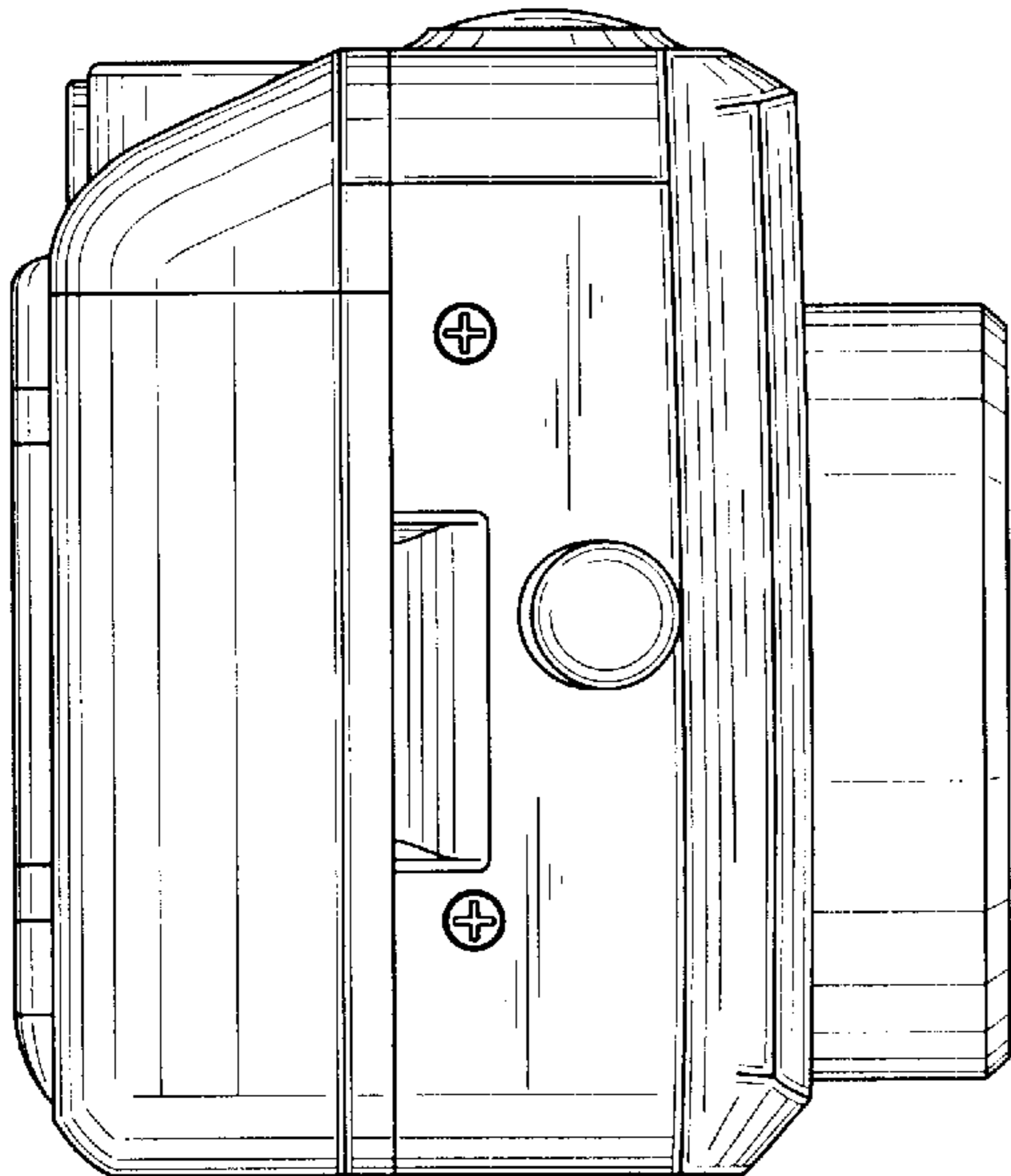


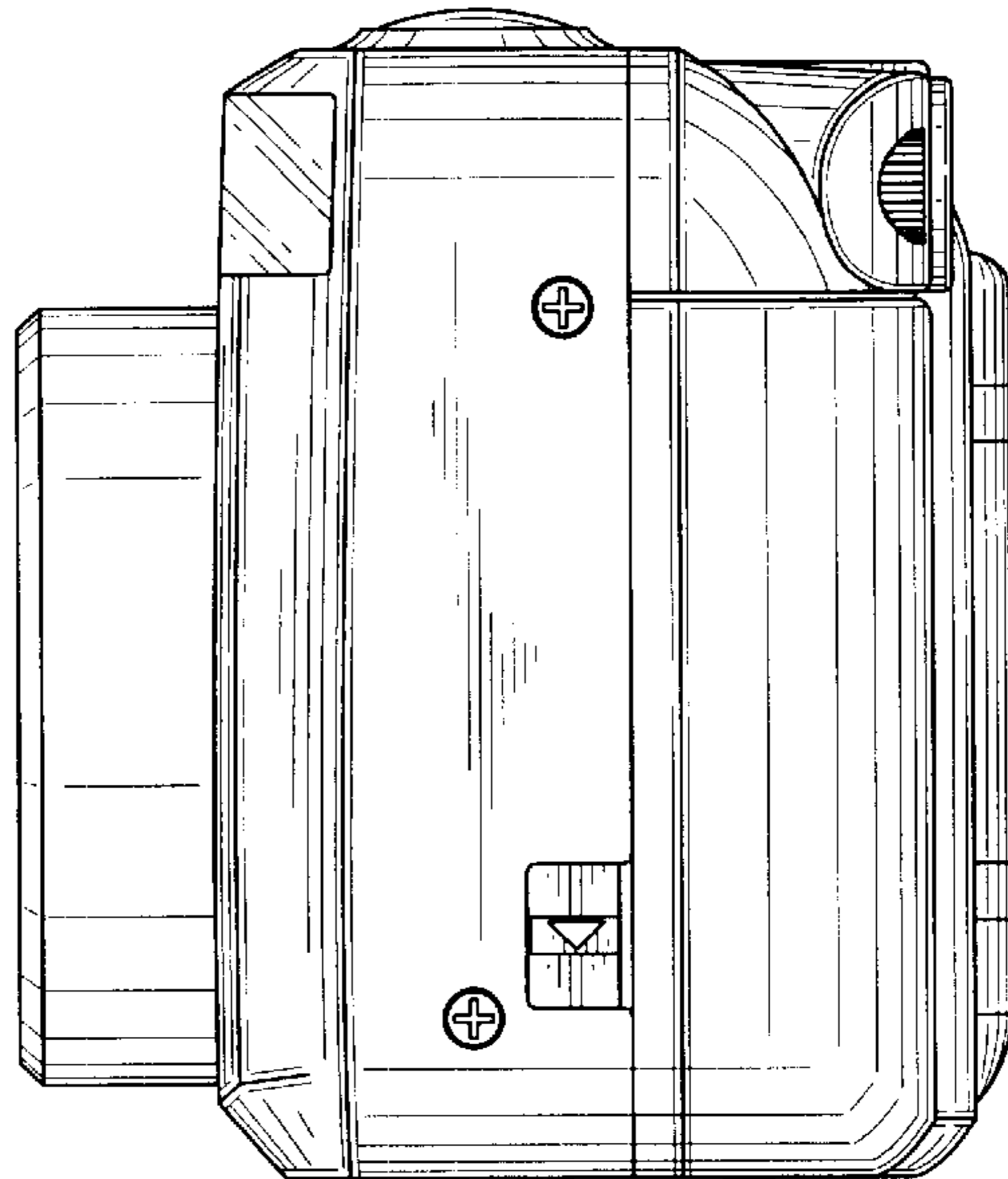
FIG. 4



*FIG. 5*



*FIG. 6*



*FIG. 7*

