



US00D475073S

(12) **United States Design Patent**
Omino

(10) **Patent No.:** **US D475,073 S**

(45) **Date of Patent:** **** May 27, 2003**

(54) **DIGITAL CAMERA**

(75) Inventor: **Seiichi Omino**, Kawasaki (JP)

(73) Assignee: **Canon Kabushiki Kaisha**, Tokyo (JP)

(**) Term: **14 Years**

(21) Appl. No.: **29/164,891**

(22) Filed: **Aug. 2, 2002**

(30) **Foreign Application Priority Data**

Feb. 12, 2002 (JP) 2002-003230

(51) **LOC (7) Cl.** **16-01**

(52) **U.S. Cl.** **D16/202; D16/218**

(58) **Field of Search** **D16/200–206,**
D16/208, 209, 218; 348/373–376; 358/909.1;
396/535–541

(56) **References Cited**

U.S. PATENT DOCUMENTS

- D440,590 S * 4/2001 Yoshida D16/209
- D441,777 S * 5/2001 Katayama D16/202
- D443,289 S 6/2001 Omino D16/202
- D456,435 S * 4/2002 Hisatomi et al. D16/202

D456,436 S 4/2002 Omino D16/202

D456,437 S * 4/2002 Omino D16/218

D462,705 S * 9/2002 Hamamura D16/202

D462,706 S * 9/2002 Hamamura D16/202

2002/0036702 A1 * 3/2002 Ohnogi 348/373

* cited by examiner

Primary Examiner—Adir Aronovich

(74) *Attorney, Agent, or Firm*—Fitzpatrick, Cella, Harper & Scinto

(57) **CLAIM**

The ornamental design for a digital camera, as shown and described.

DESCRIPTION

FIG. 1 is a front view of a digital camera showing my new design;

FIG. 2 is a rear view thereof;

FIG. 3 is a top plan view thereof;

FIG. 4 is a bottom plan view thereof;

FIG. 5 is a left side view thereof;

FIG. 6 is a right side view thereof; and,

FIG. 7 is a perspective view thereof.

1 Claim, 4 Drawing Sheets

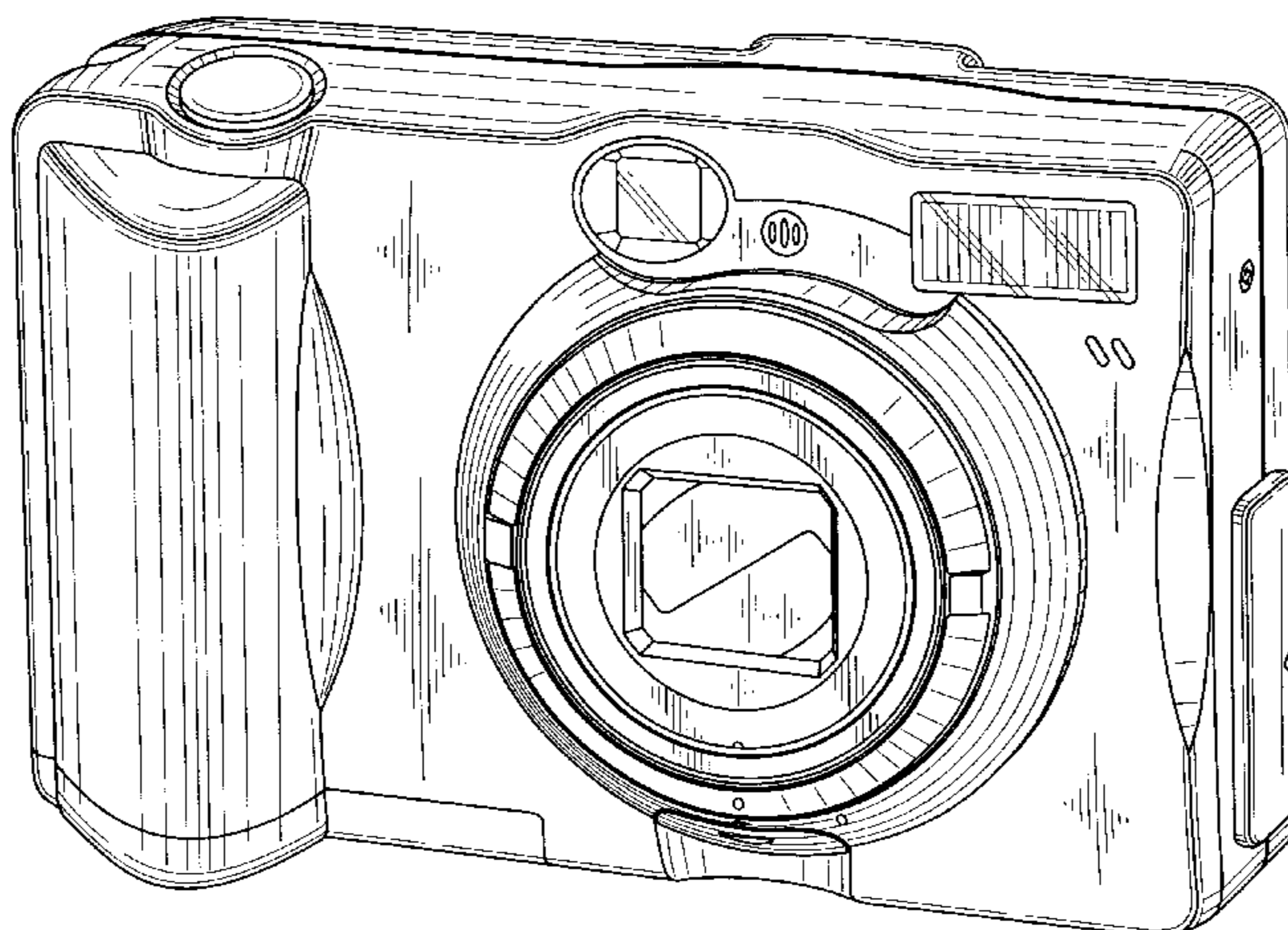
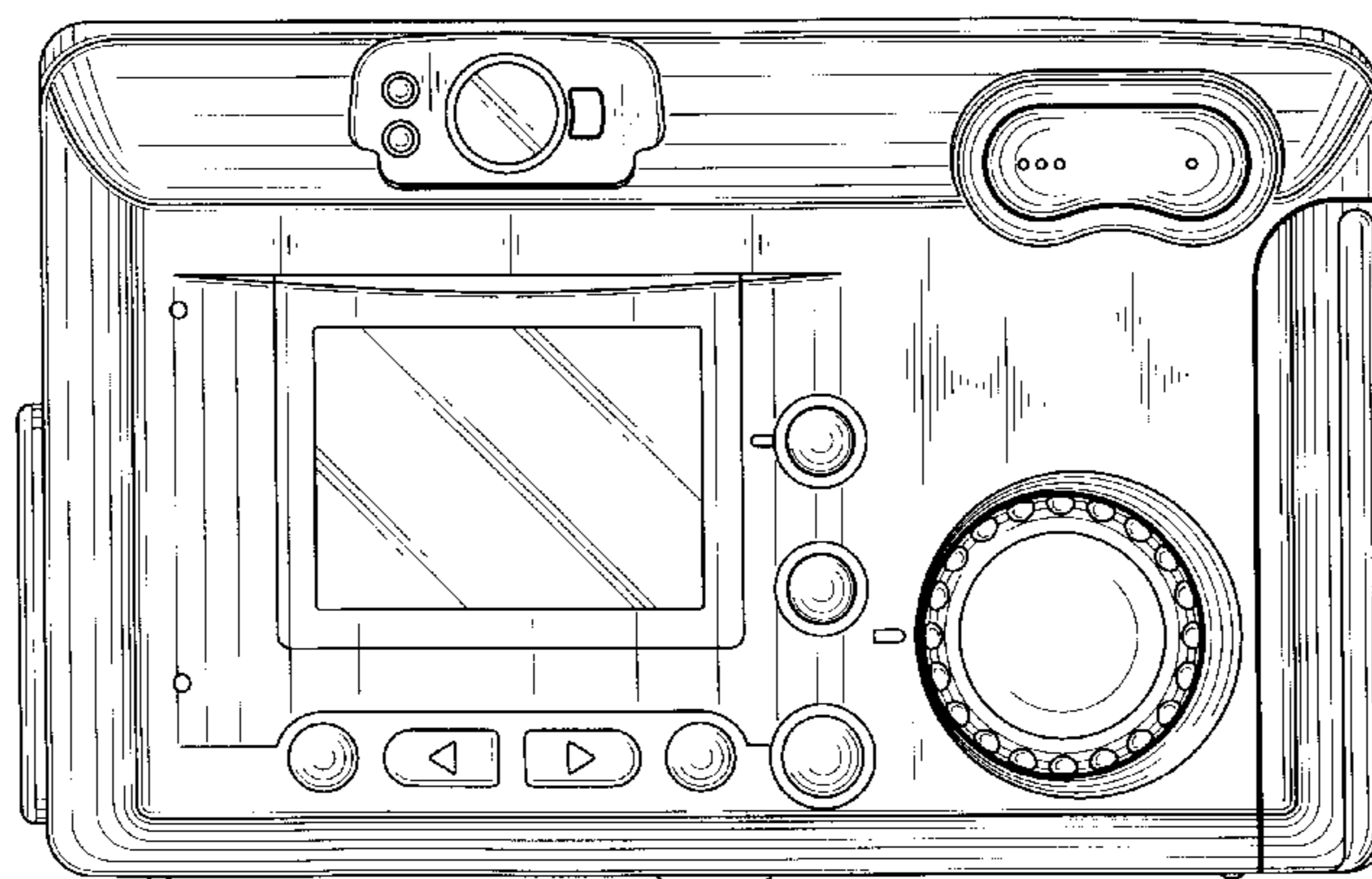


FIG. 1

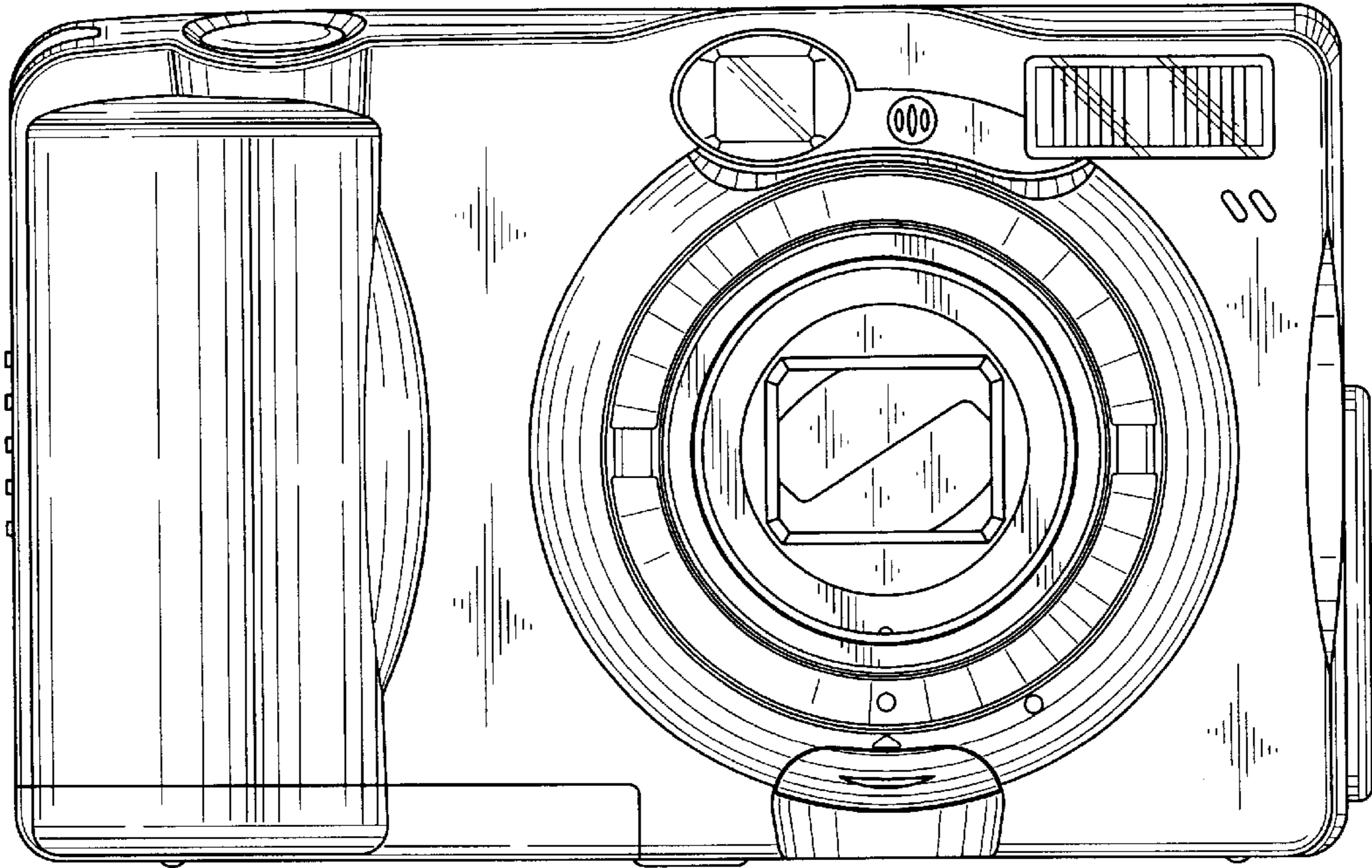


FIG. 2

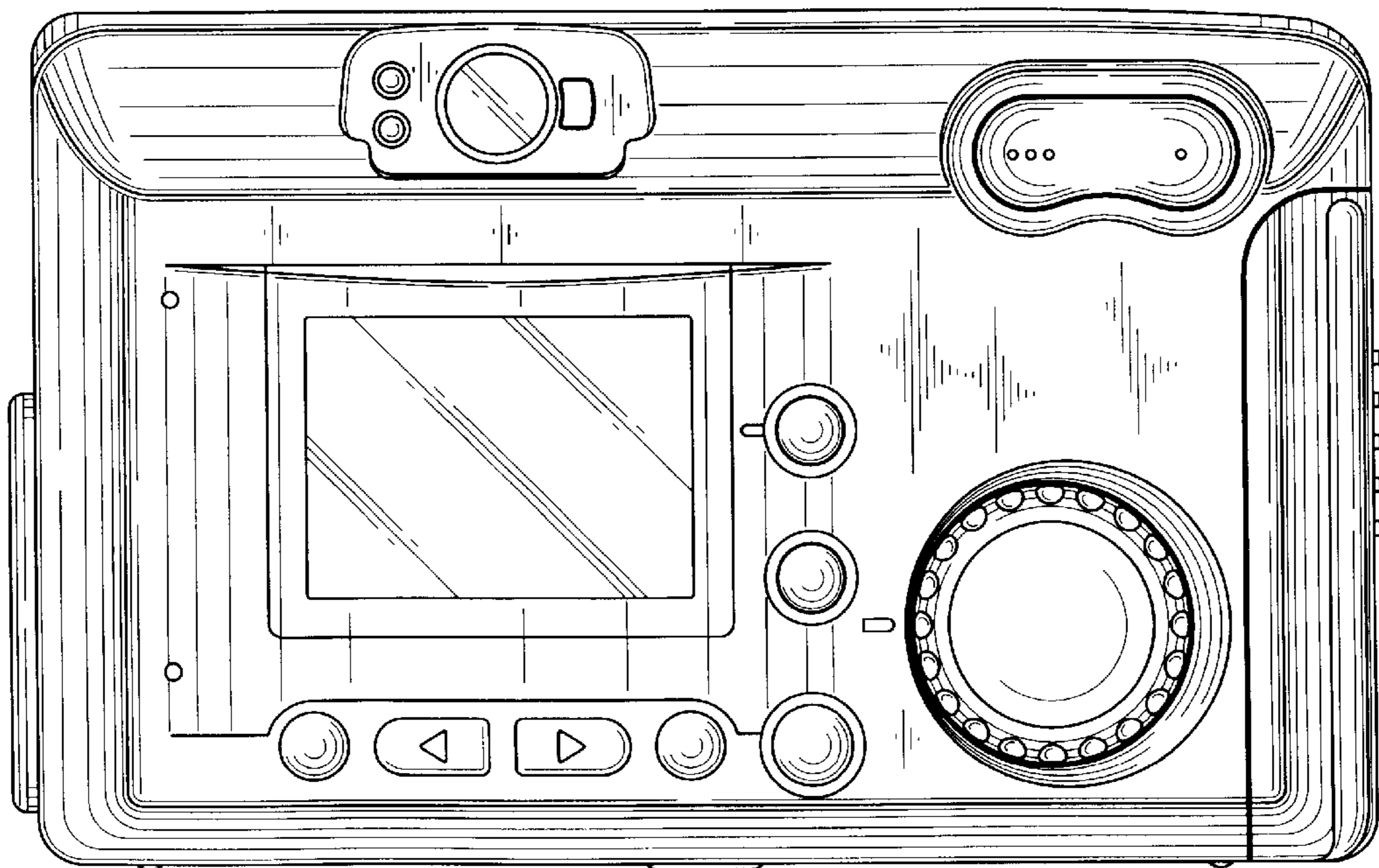


FIG. 3

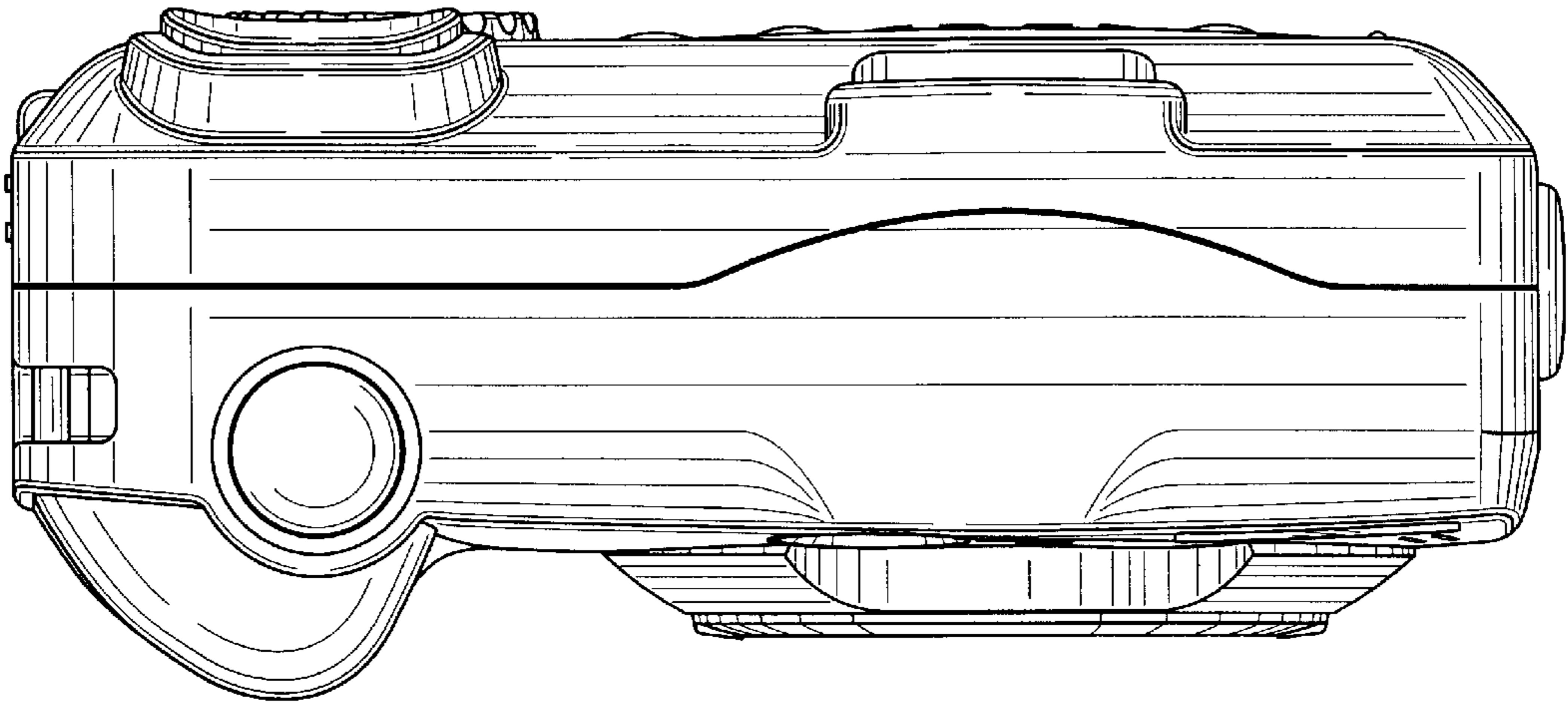


FIG. 4

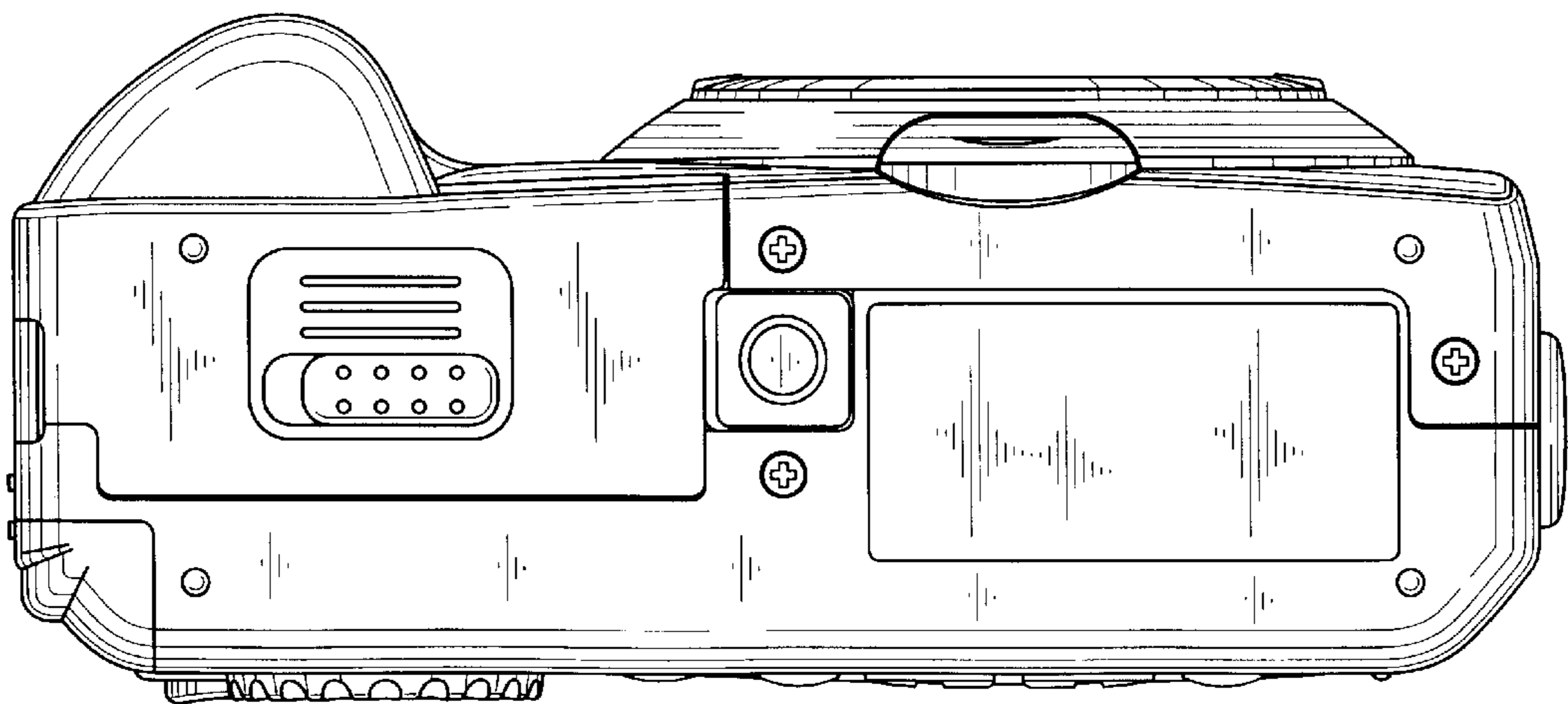


FIG. 5

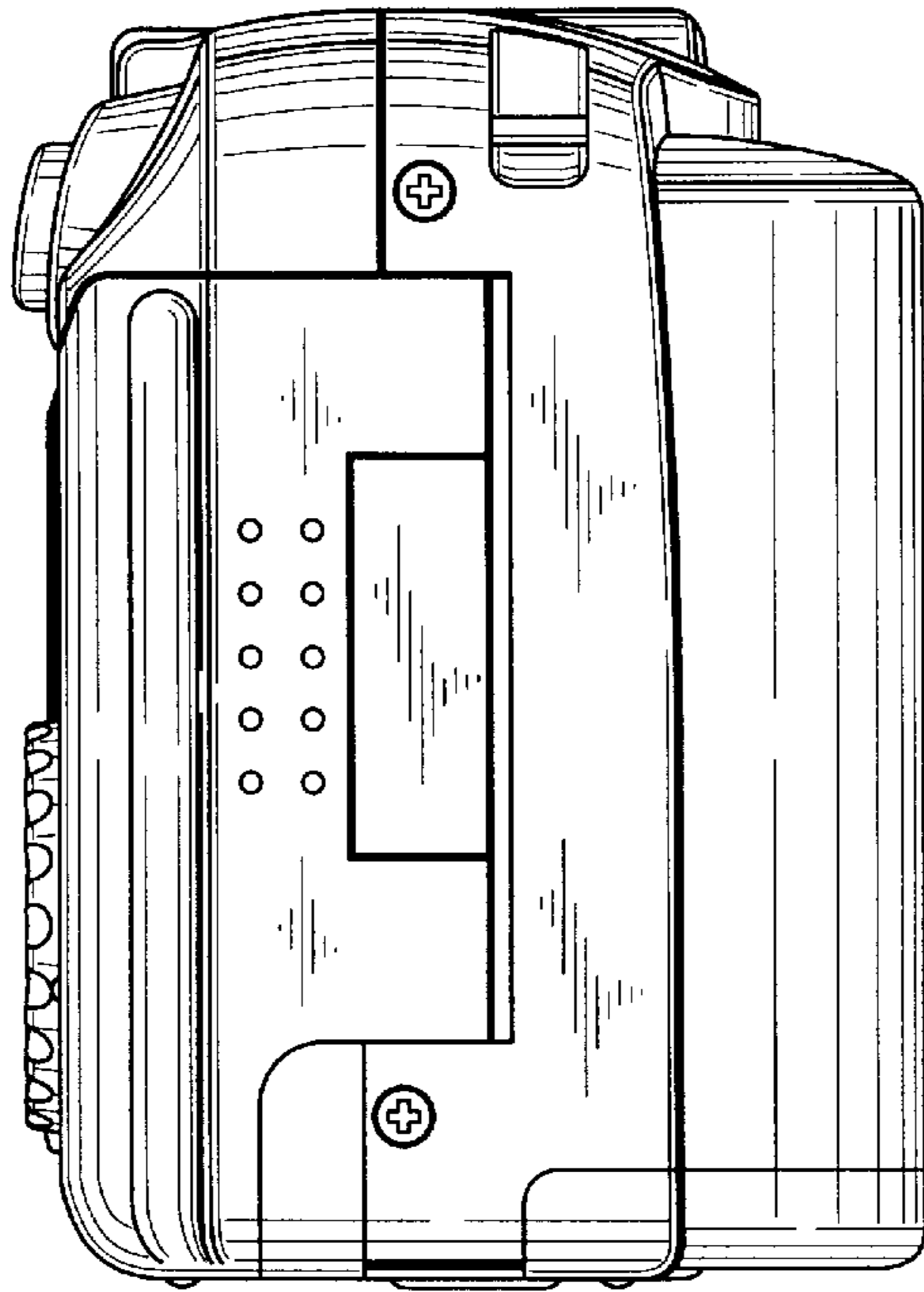


FIG. 6

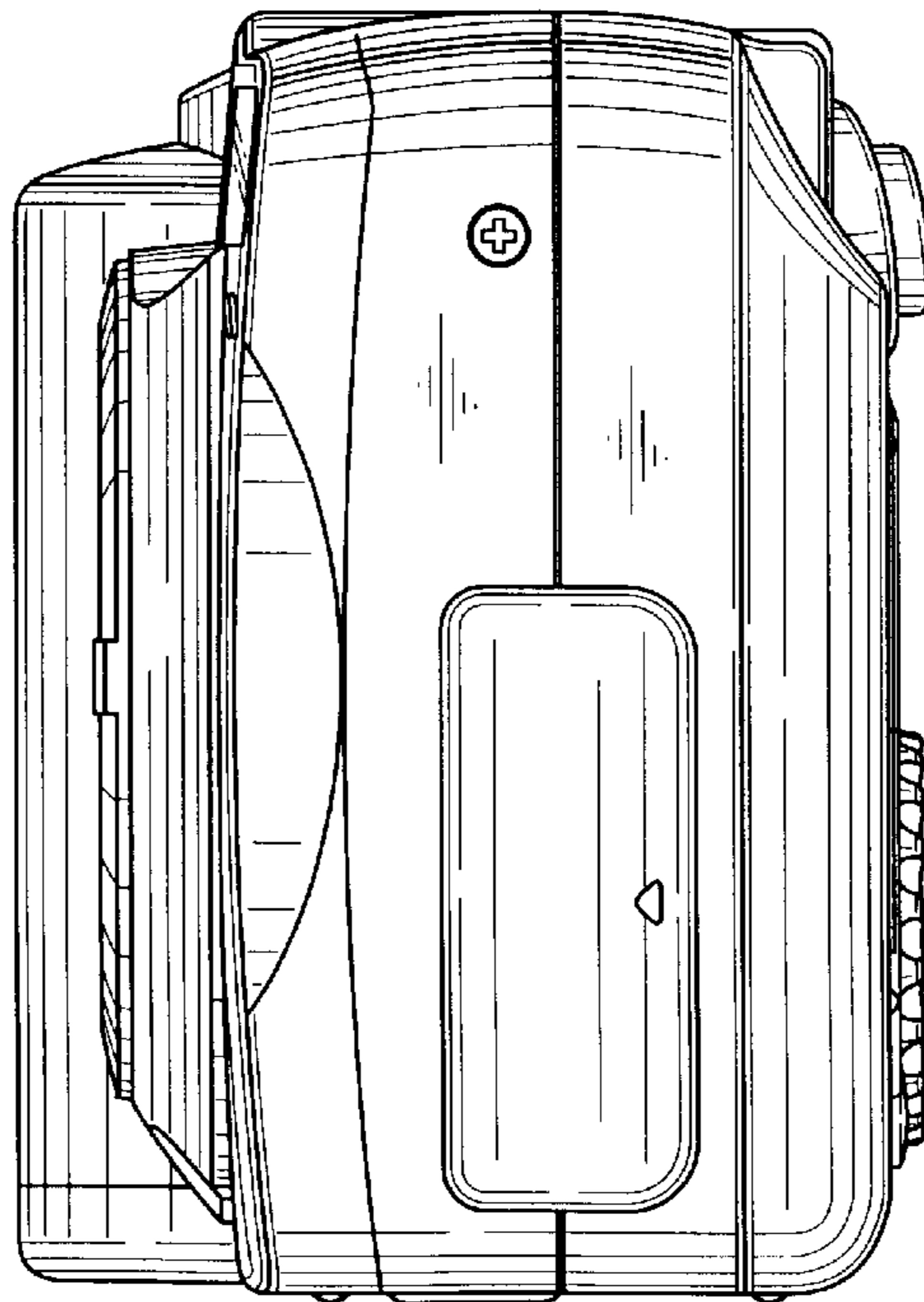


FIG. 7

