



US00D475072S

(12) **United States Design Patent**
Yoshida

(10) **Patent No.:** **US D475,072 S**

(45) **Date of Patent:** **** May 27, 2003**

(54) **ELECTRONIC STILL CAMERA**

(75) Inventor: **Koji Yoshida**, Tokyo (JP)

(73) Assignee: **Fuji Photo Film Co., Ltd.**, Kanagawa (JP)

(**) Term: **14 Years**

(21) Appl. No.: **29/163,922**

(22) Filed: **Jul. 16, 2002**

(30) **Foreign Application Priority Data**

Feb. 21, 2002 (JP) 2002-004399

(51) **LOC (7) Cl.** **16-01**

(52) **U.S. Cl.** **D16/202**

(58) **Field of Search** D16/200-206,
D16/208, 209, 218; 348/373-376; 358/909.1

(56) **References Cited**

U.S. PATENT DOCUMENTS

- D409,640 S * 5/1999 Funato D16/202
- D423,544 S * 4/2000 Yamamoto et al. D16/218
- D441,777 S * 5/2001 Katayama D16/202

- 6,434,337 B1 * 8/2002 Misawa 358/909.1
- D462,706 S * 9/2002 Hamamura D16/202

* cited by examiner

Primary Examiner—Adir Aronovich

(74) *Attorney, Agent, or Firm*—Young & Thompson

(57) **CLAIM**

The ornamental design for an electronic still camera, as shown and described.

DESCRIPTION

FIG. 1 is a top, front and side perspective view of an electronic still camera of the new design;
 FIG. 2 is a front elevational view thereof;
 FIG. 3 is a rear elevational view thereof;
 FIG. 4 is a top plan view thereof;
 FIG. 5 is a bottom plan view thereof;
 FIG. 6 is a side elevational view thereof from the right of FIG. 2;
 FIG. 7 is a side elevational view thereof from the left of FIG. 2; and,
 FIG. 8 is a view similar to FIG. 1 showing the parts in a different position.

1 Claim, 4 Drawing Sheets

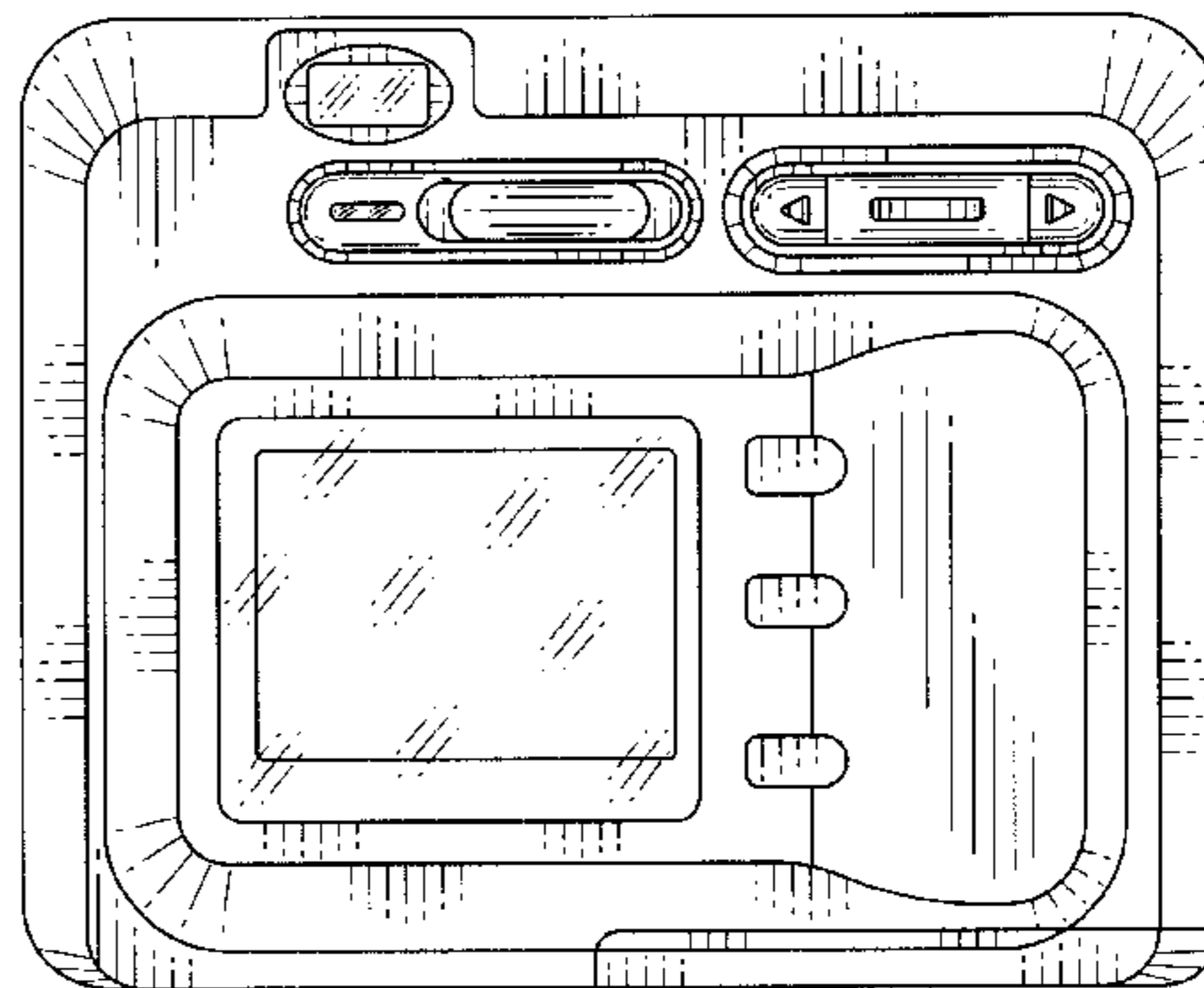
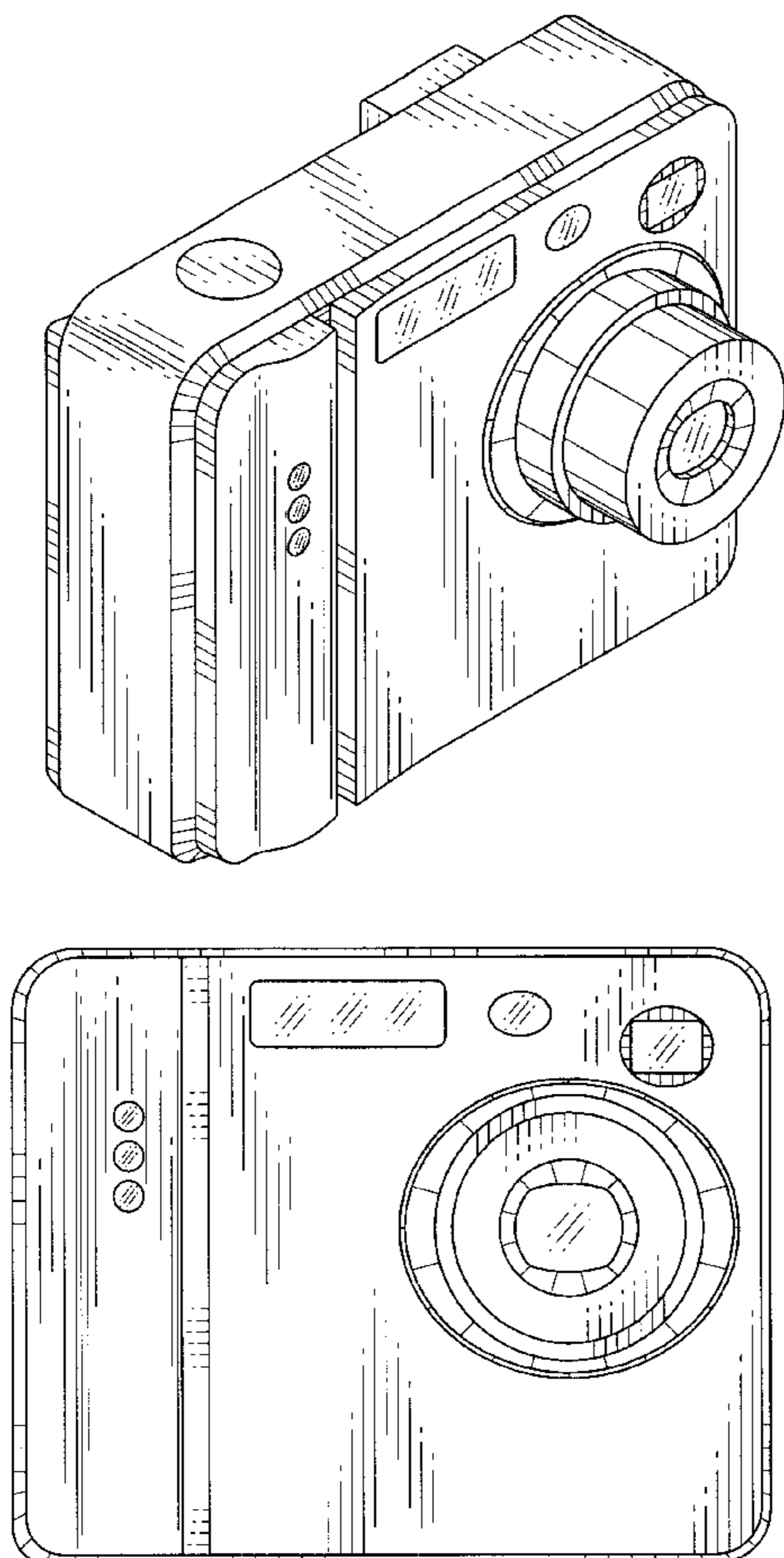


FIG. 1

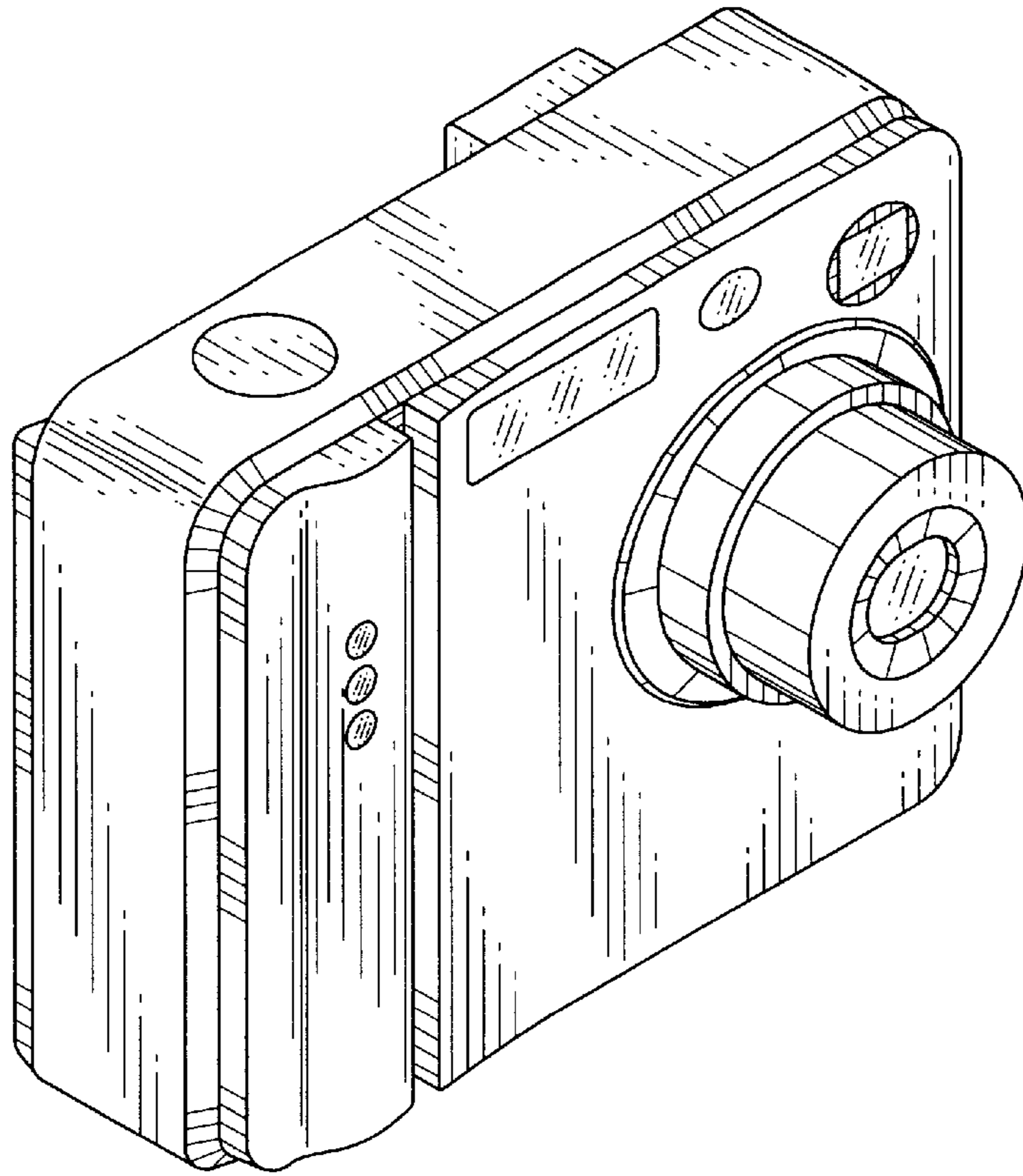


FIG. 2

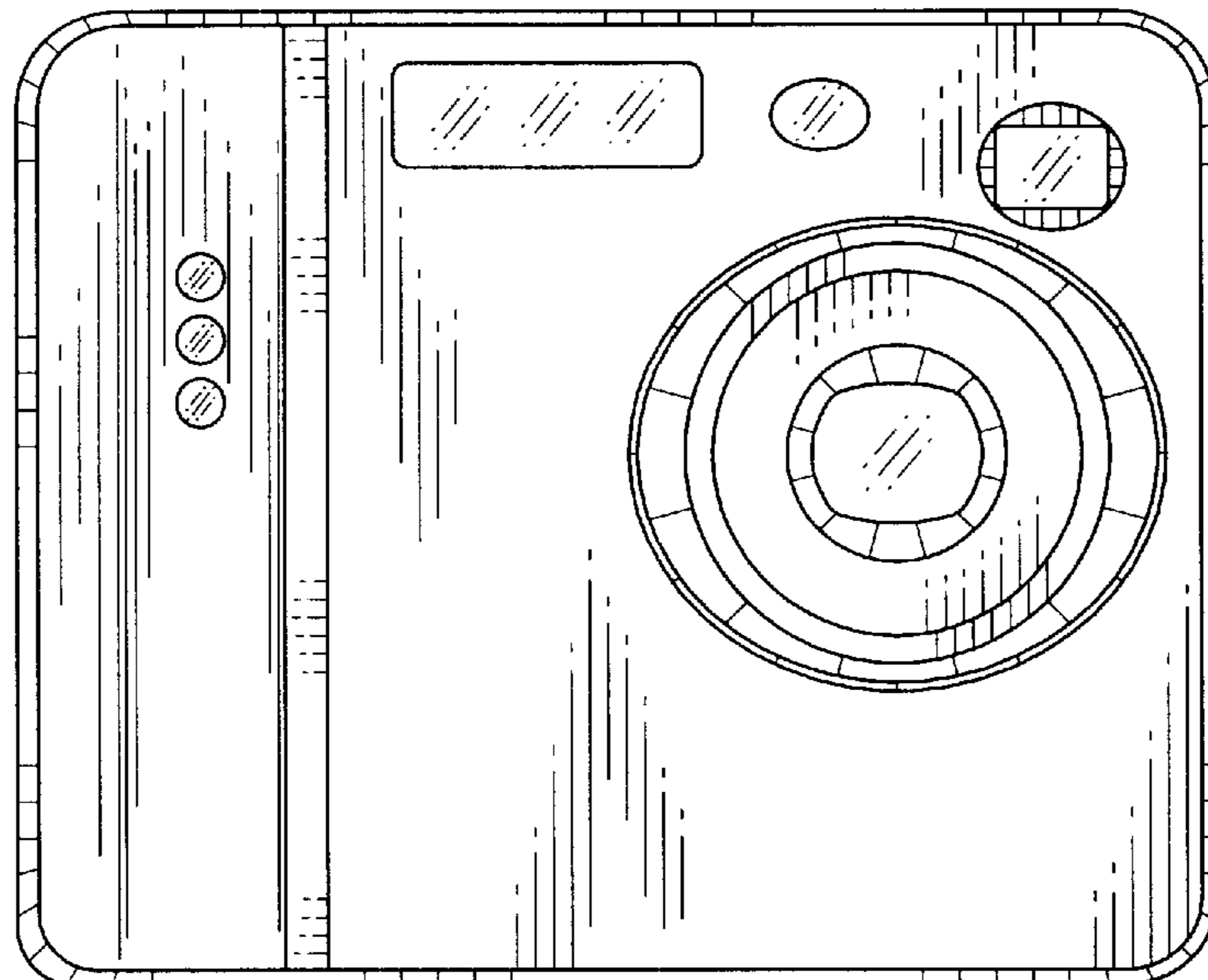


FIG. 3

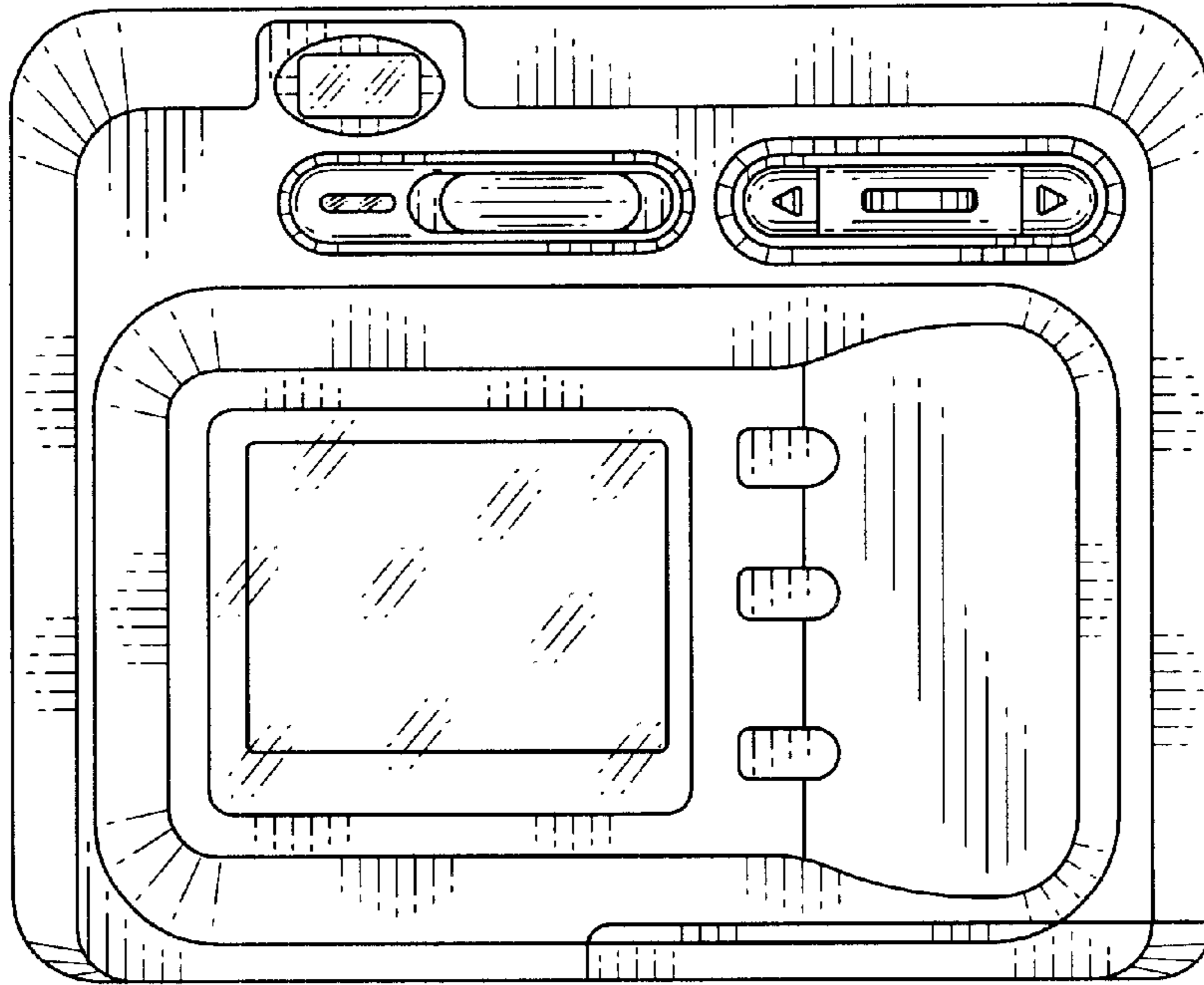


FIG. 4

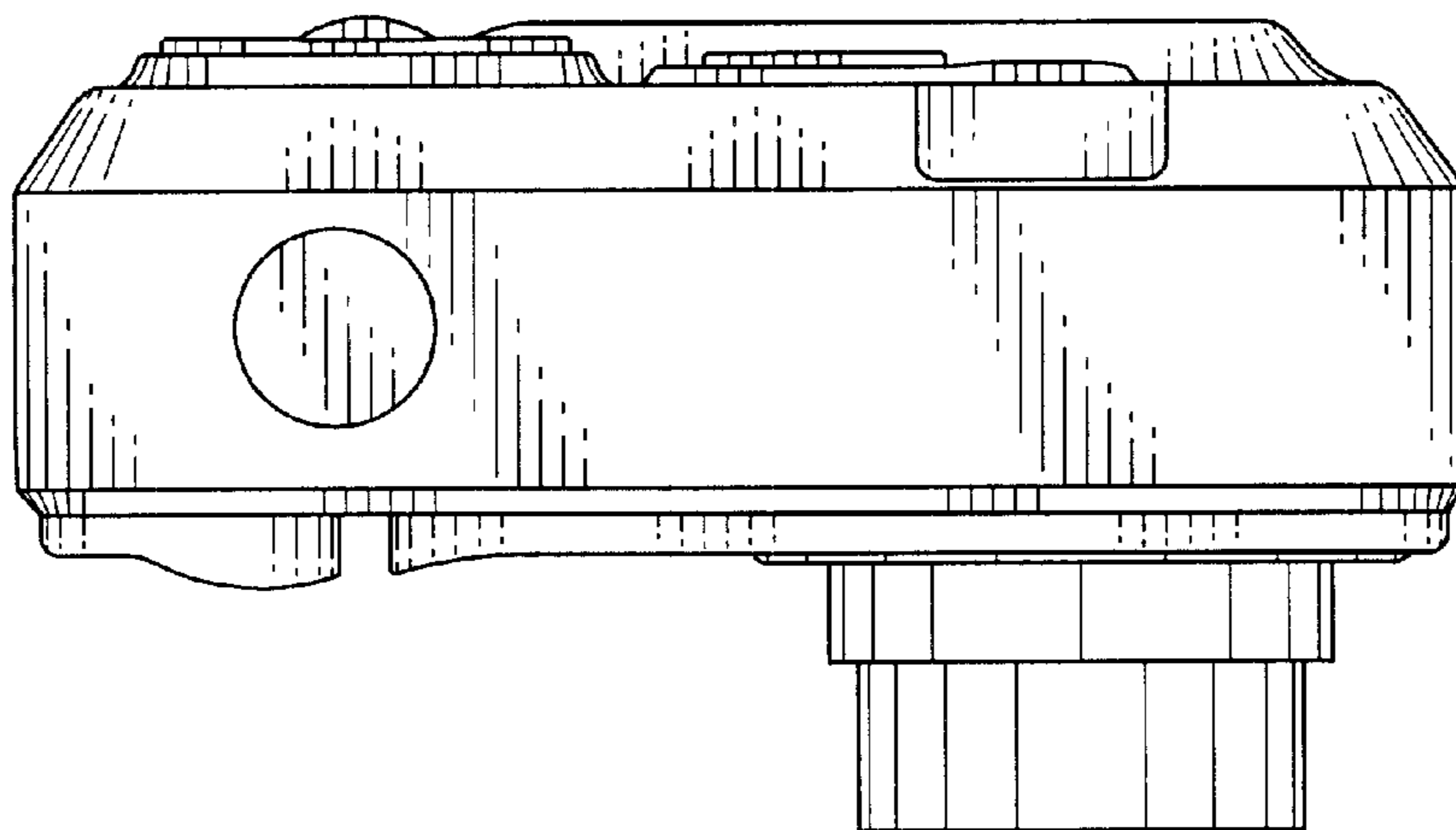


FIG. 5

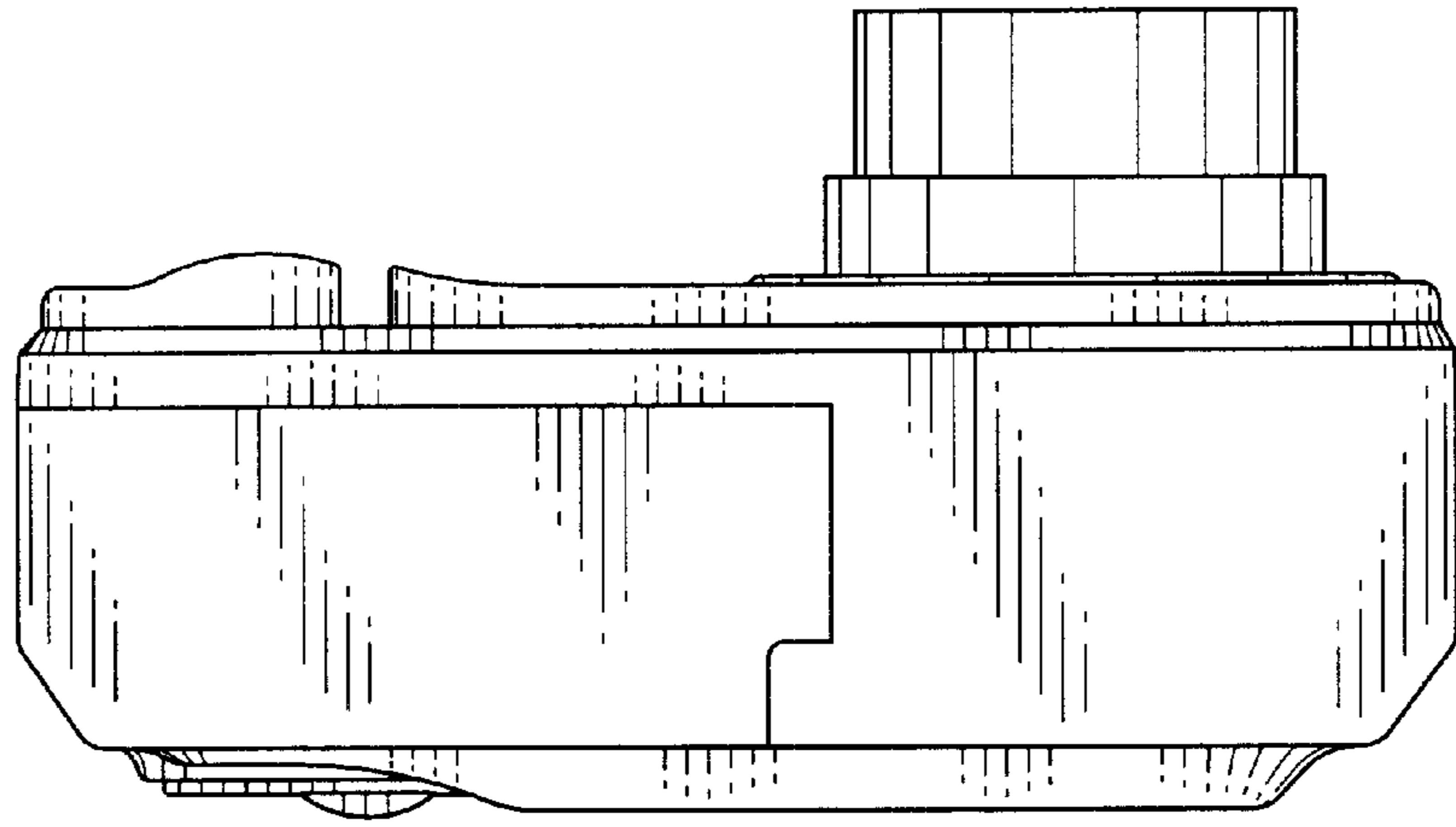


FIG. 6

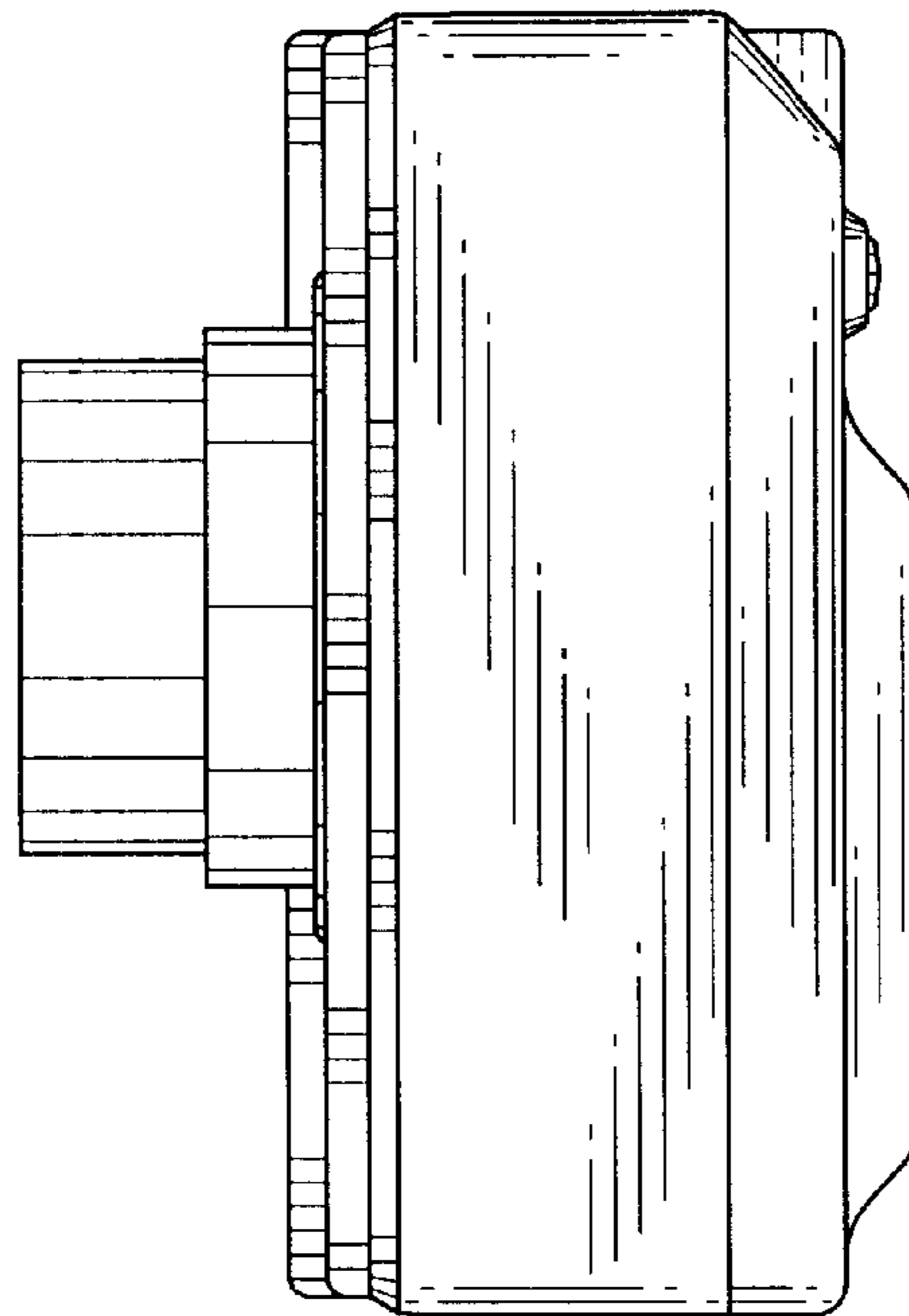


FIG. 7

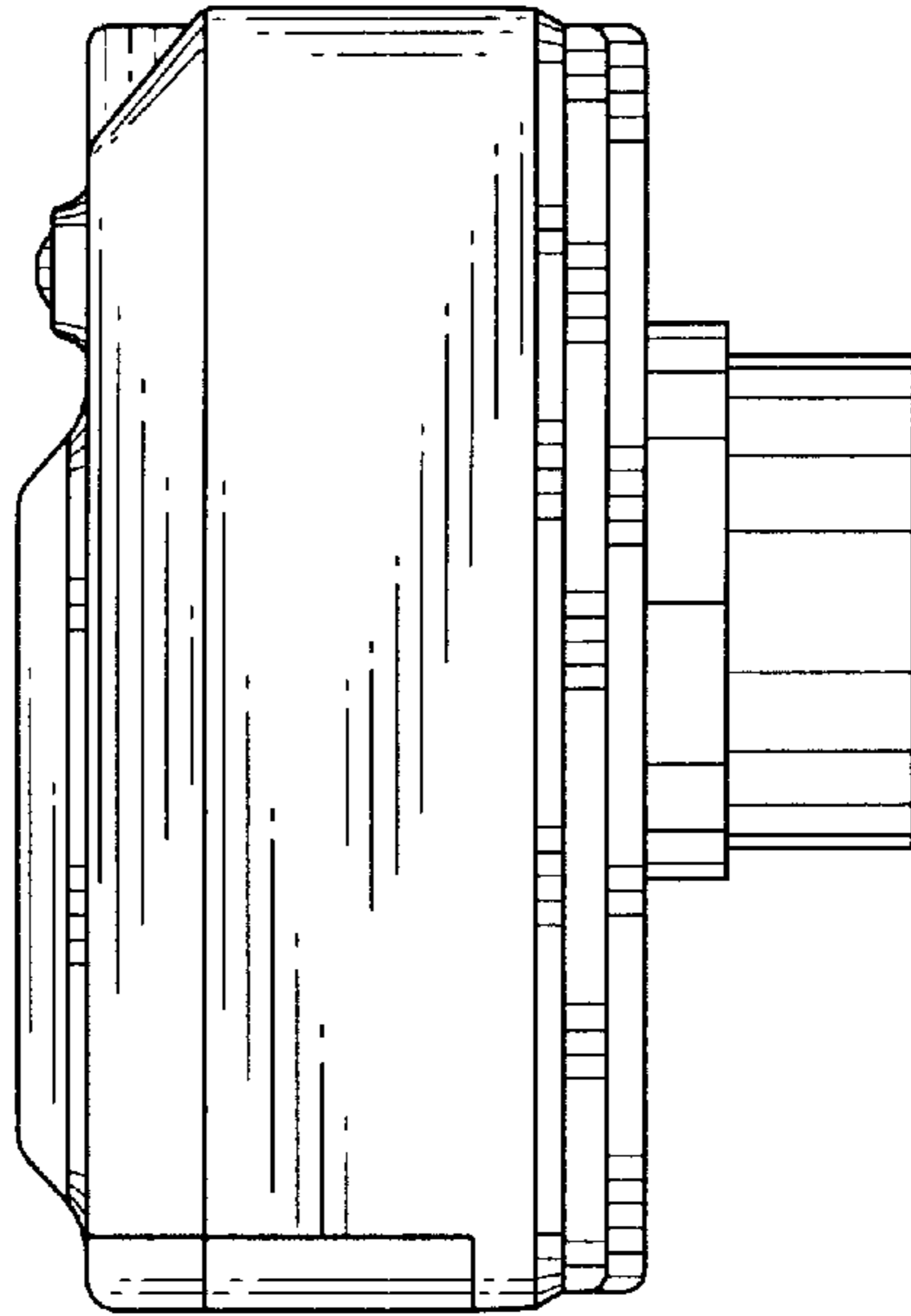


FIG. 8

