



US00D475071S

(12) **United States Design Patent**  
**Nagano**

(10) **Patent No.:** **US D475,071 S**

(45) **Date of Patent:** **\*\* May 27, 2003**

(54) **DIGITAL CAMERA**

(75) Inventor: **Masakazu Nagano**, Osaka (JP)

(73) Assignee: **Minolta Co., Ltd.**, Osaka (JP)

(\*\*) Term: **14 Years**

(21) Appl. No.: **29/162,927**

(22) Filed: **Jun. 25, 2002**

(30) **Foreign Application Priority Data**

Dec. 28, 2001 (JP) ..... 2001-038863

(51) **LOC (7) Cl.** ..... **16-01**

(52) **U.S. Cl.** ..... **D16/202**

(58) **Field of Search** ..... D16/200-206,  
D16/208, 209, 218; 348/373-376; 358/906,  
909.1

(56) **References Cited**

**U.S. PATENT DOCUMENTS**

- 4,456,931 A \* 6/1984 Toyoda et al. .... 358/906
- D279,787 S \* 7/1985 Socias ..... D16/204
- D382,578 S \* 8/1997 Cieslikowski ..... D16/200
- D387,078 S \* 12/1997 Akita ..... D16/202
- D423,544 S \* 4/2000 Yamamoto et al. .... D16/218

- D430,185 S \* 8/2000 Eto et al. .... D16/218
- D441,777 S 5/2001 Katayama ..... D16/202

**OTHER PUBLICATIONS**

FinePix30i Brochure, Fujifilm, Japan, Oct. 2001.

\* cited by examiner

*Primary Examiner*—Adir Aronovich

(74) *Attorney, Agent, or Firm*—Burns, Doane, Swecker & Mathis, LLP

(57) **CLAIM**

The ornamental design for a digital camera, as shown and described.

**DESCRIPTION**

FIG. 1 is a front perspective view of a digital camera;  
 FIG. 2 is rear perspective view thereof;  
 FIG. 3 is a front view thereof;  
 FIG. 4 is a rear view thereof;  
 FIG. 5 is a left side view thereof;  
 FIG. 6 is a right side view thereof;  
 FIG. 7 is a top view thereof; and,  
 FIG. 8 is a bottom view thereof.

**1 Claim, 4 Drawing Sheets**

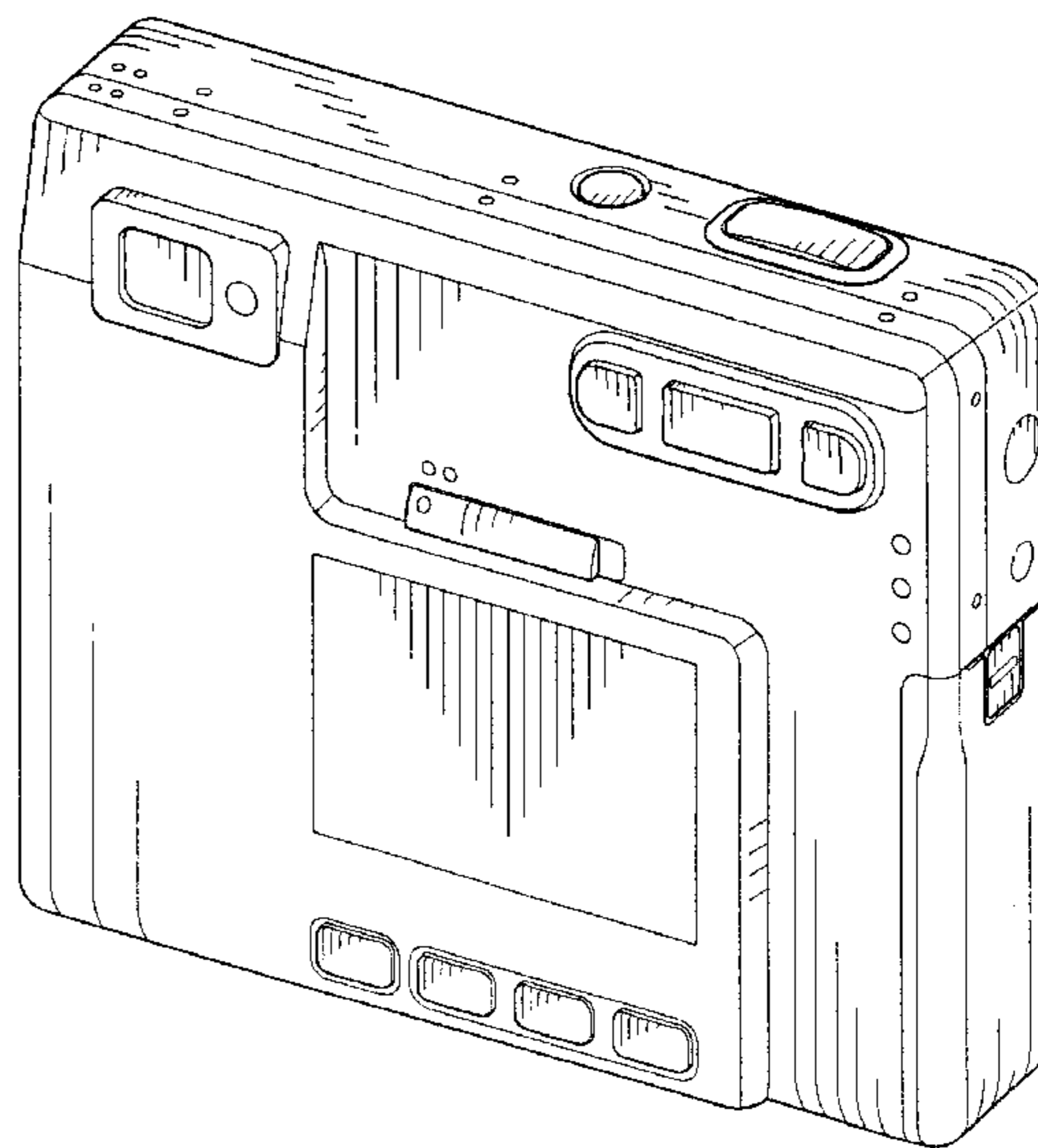
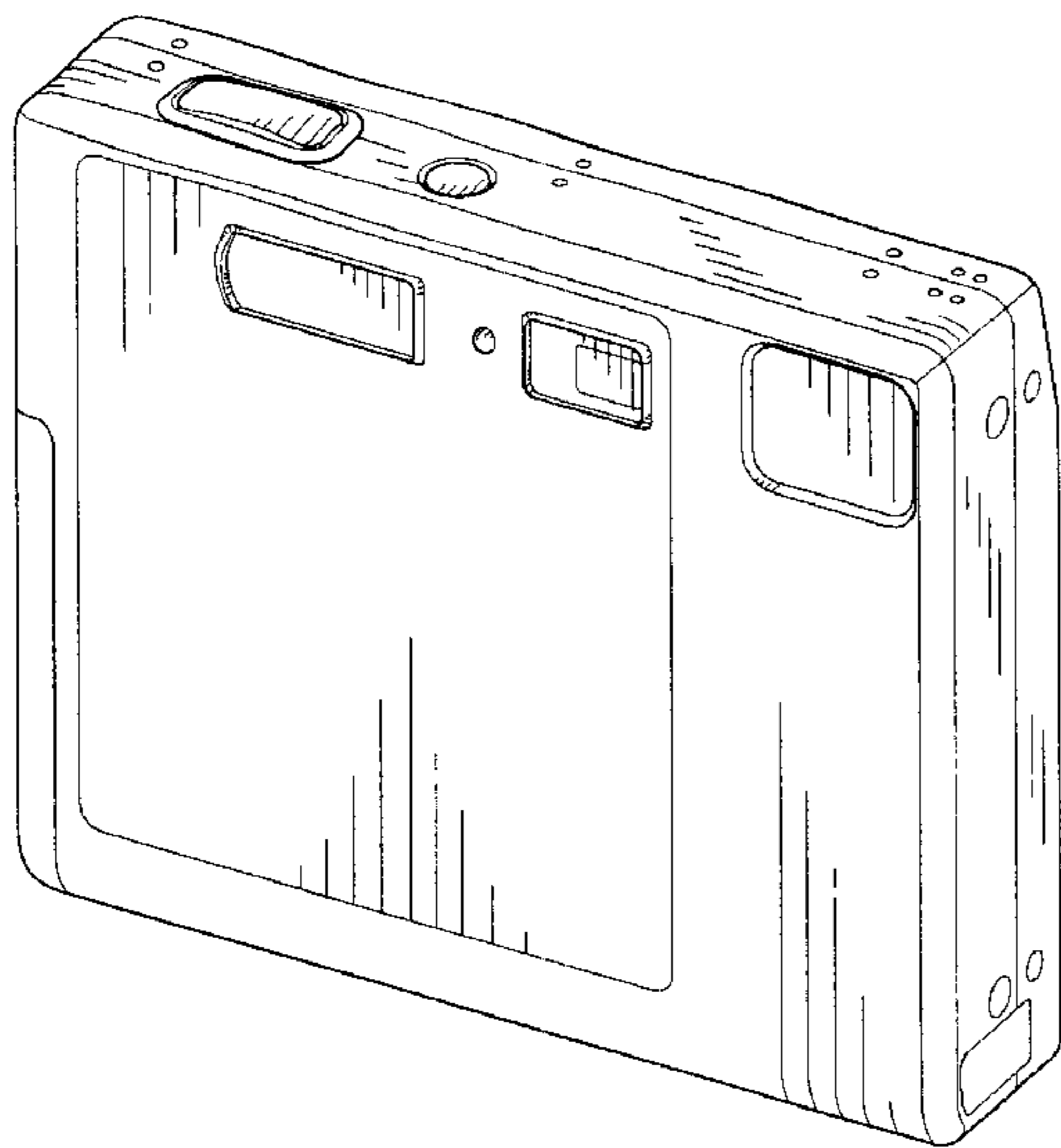


FIG. 1

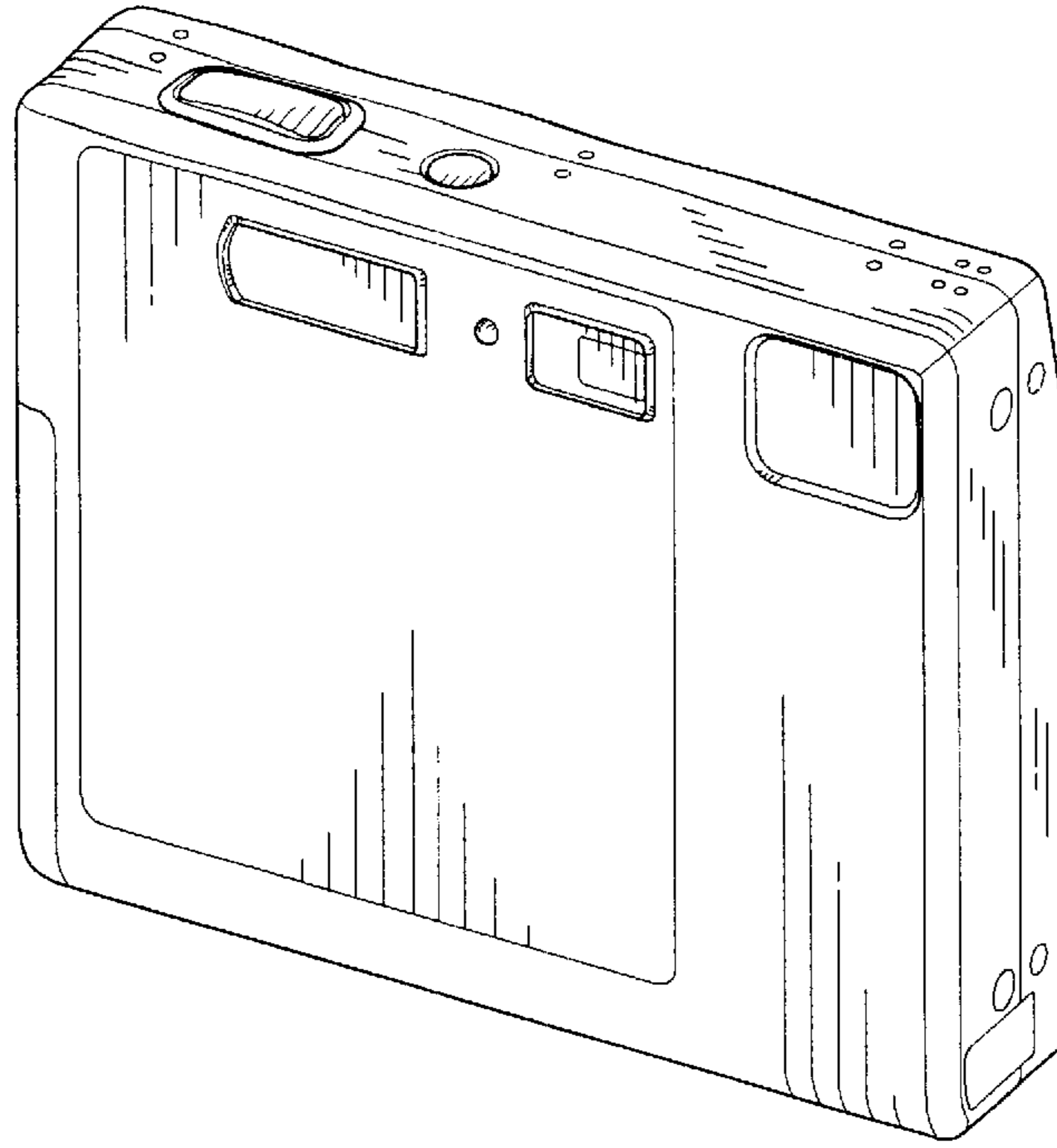


FIG. 2

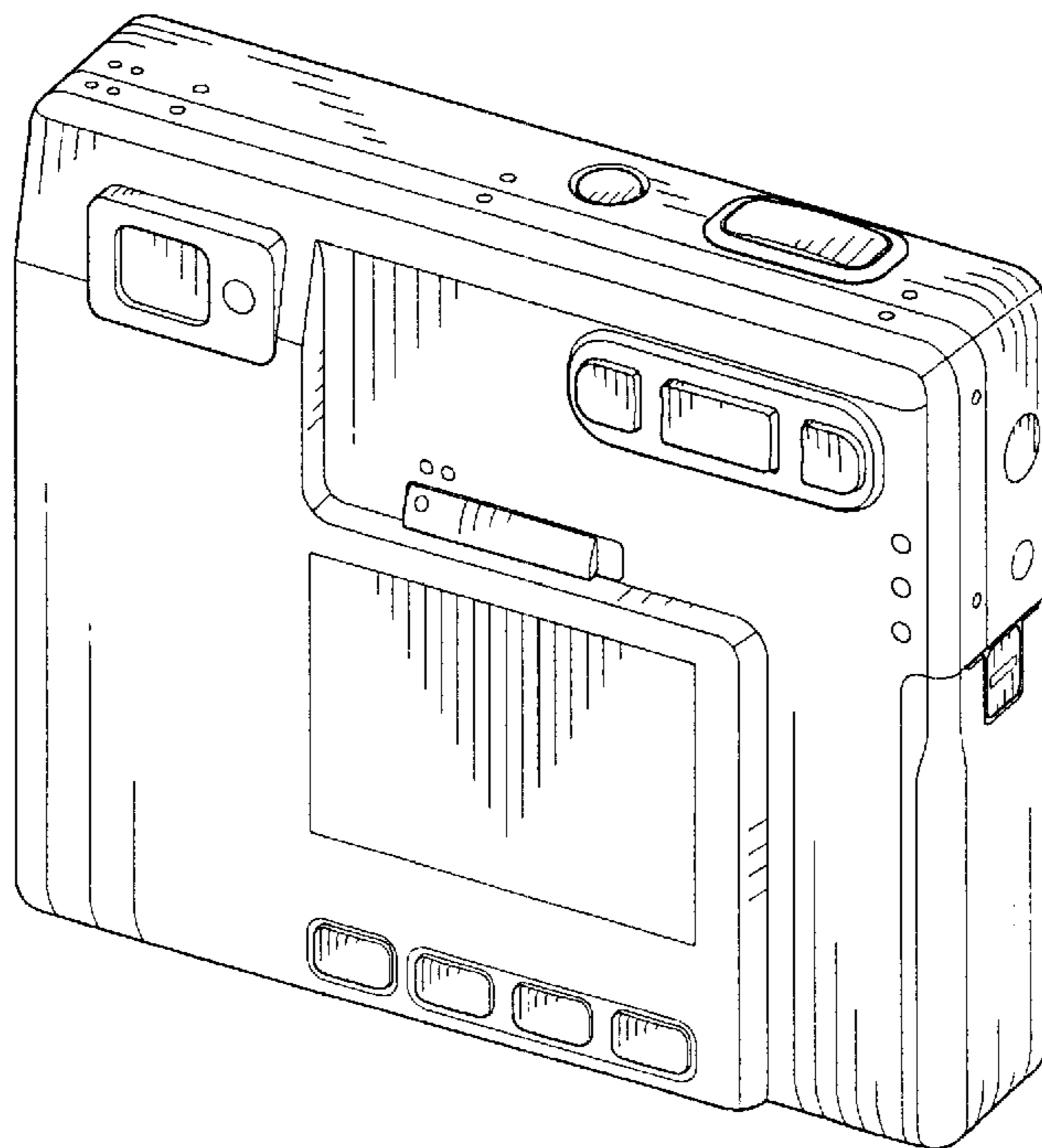


FIG. 3

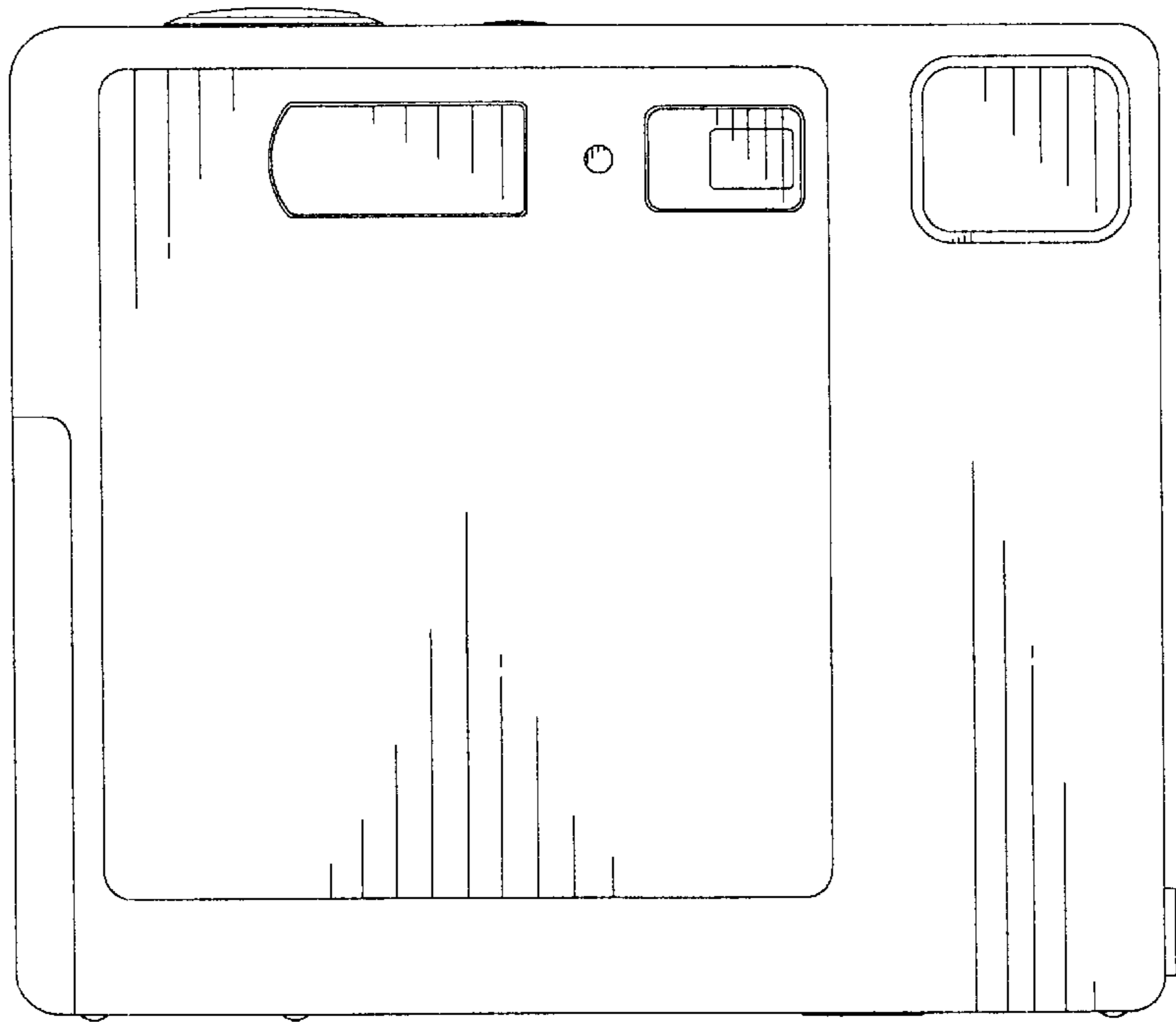


FIG. 4

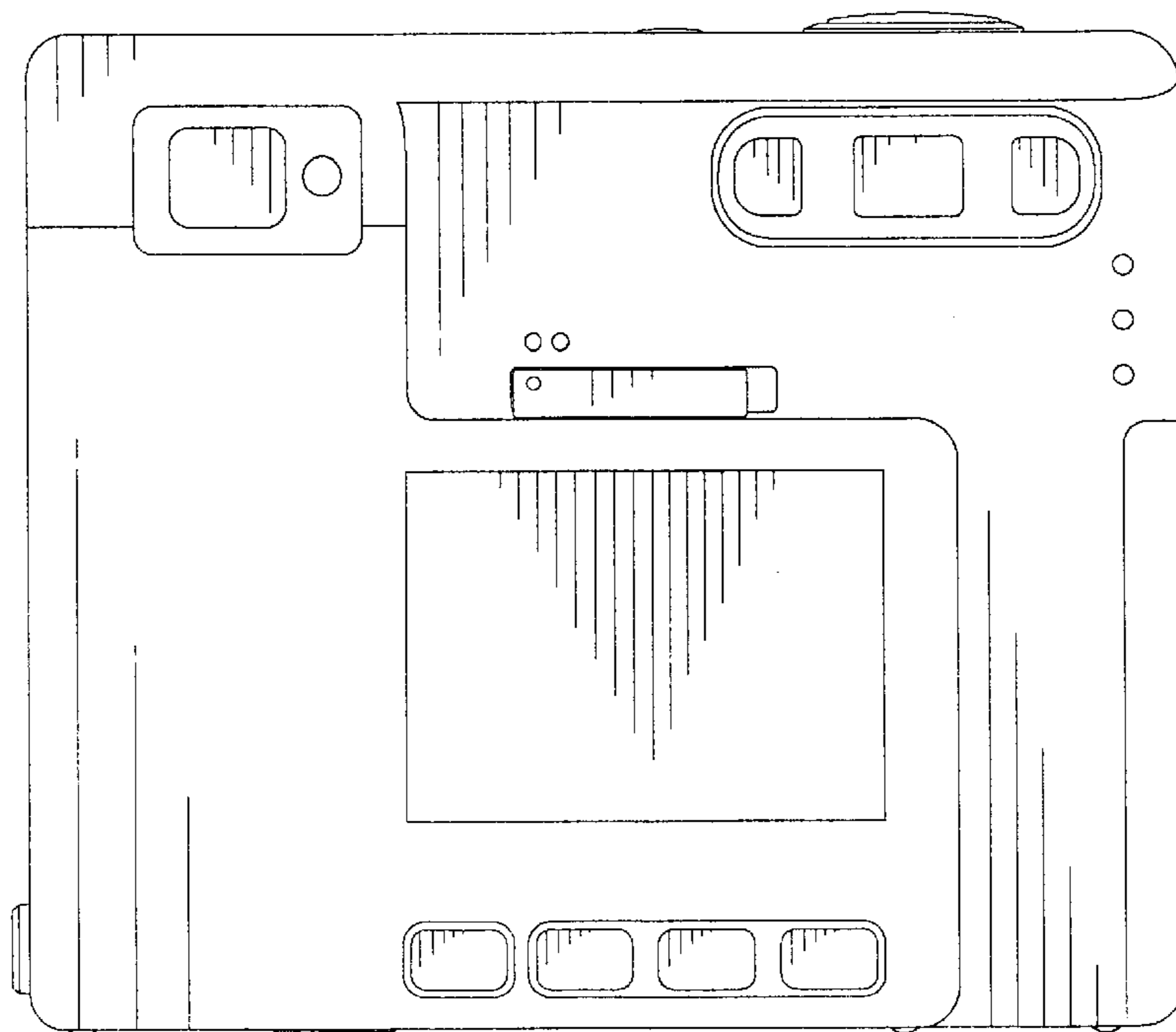


FIG. 5

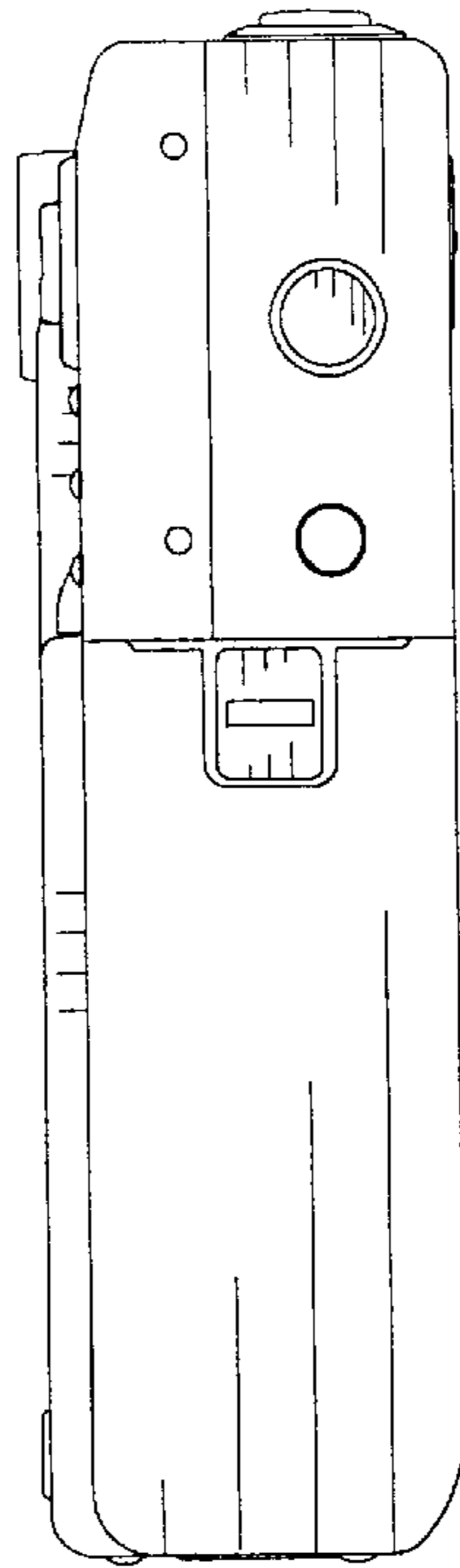


FIG. 6

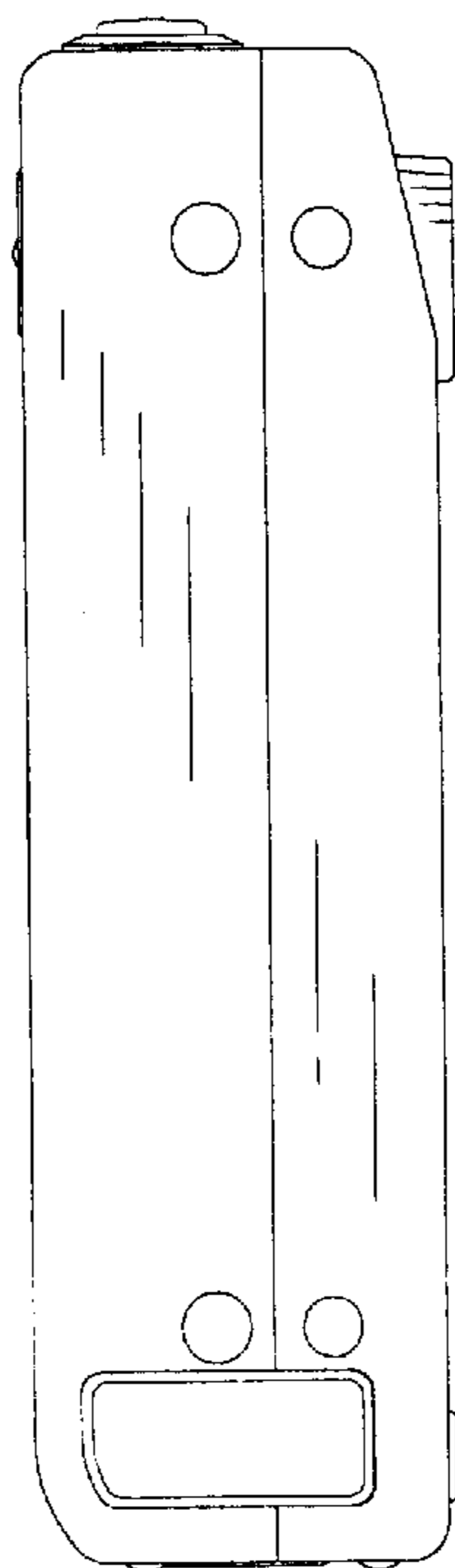


FIG. 7

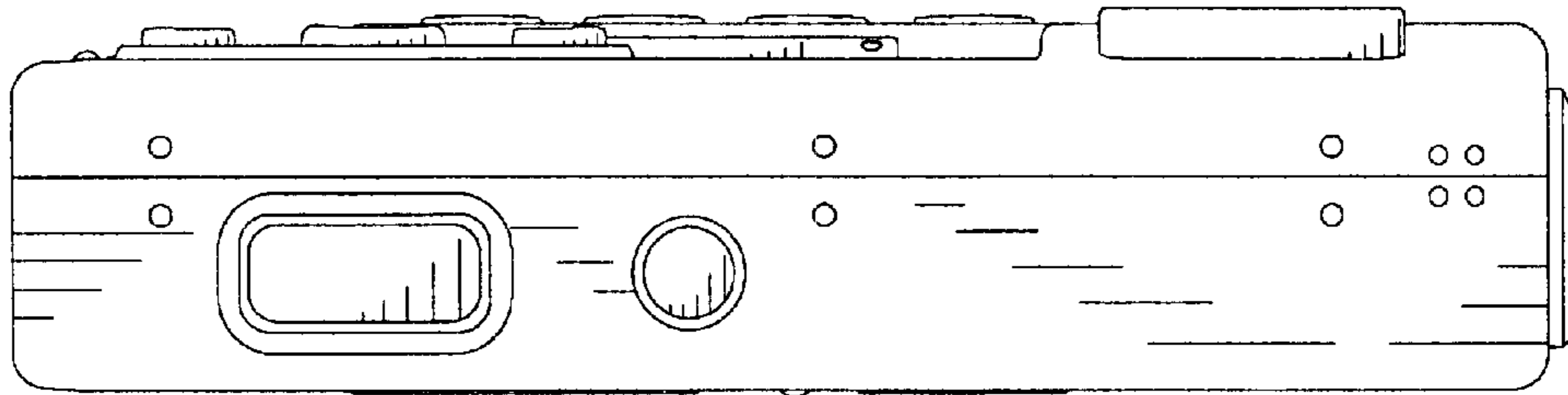


FIG. 8

