



US00D475070S

(12) **United States Design Patent**
Ogura

(10) **Patent No.:** **US D475,070 S**

(45) **Date of Patent:** **** May 27, 2003**

(54) **VIDEO CAMERA**

(75) Inventor: **Hajime Ogura**, Tokyo (JP)

(73) Assignee: **Sony Corporation**, Tokyo (JP)

(**) Term: **14 Years**

(21) Appl. No.: **29/162,363**

(22) Filed: **Jun. 17, 2002**

(51) **LOC (7) Cl.** **16-01**

(52) **U.S. Cl.** **D16/202**

(58) **Field of Search** **D16/200-205,**
D16/208, 218; 348/14.01-14.1, 373-376;
358/906, 909.1

(56) **References Cited**

U.S. PATENT DOCUMENTS

D387,788 S	*	12/1997	Jeong et al.	D16/202
D394,274 S	*	5/1998	Suzuki	D16/202
D400,549 S	*	11/1998	Wakefield	D16/202
D430,587 S	*	9/2000	Summit	D16/202
D433,431 S		11/2000	Uehara et al.	D16/202
D433,432 S	*	11/2000	Prather et al.	D16/202
D442,202 S	*	5/2001	Pfeifer et al.	D16/202

D452,259 S * 12/2001 Choi D16/202
2001/0017665 A1 * 8/2001 Ackerman et al. 348/374

OTHER PUBLICATIONS

Vivitar Digital Imaging, Mar. 1998, (ViviCam camera).*

* cited by examiner

Primary Examiner—Adir Aronovich

(74) *Attorney, Agent, or Firm*—Rader, Fishman & Grauer
PLLC

(57) **CLAIM**

The ornamental design for a video camera, as shown.

DESCRIPTION

FIG. 1 is a perspective view of a video camera showing my new design;

FIG. 2 is a front elevational view thereof;

FIG. 3 is a rear elevational view thereof;

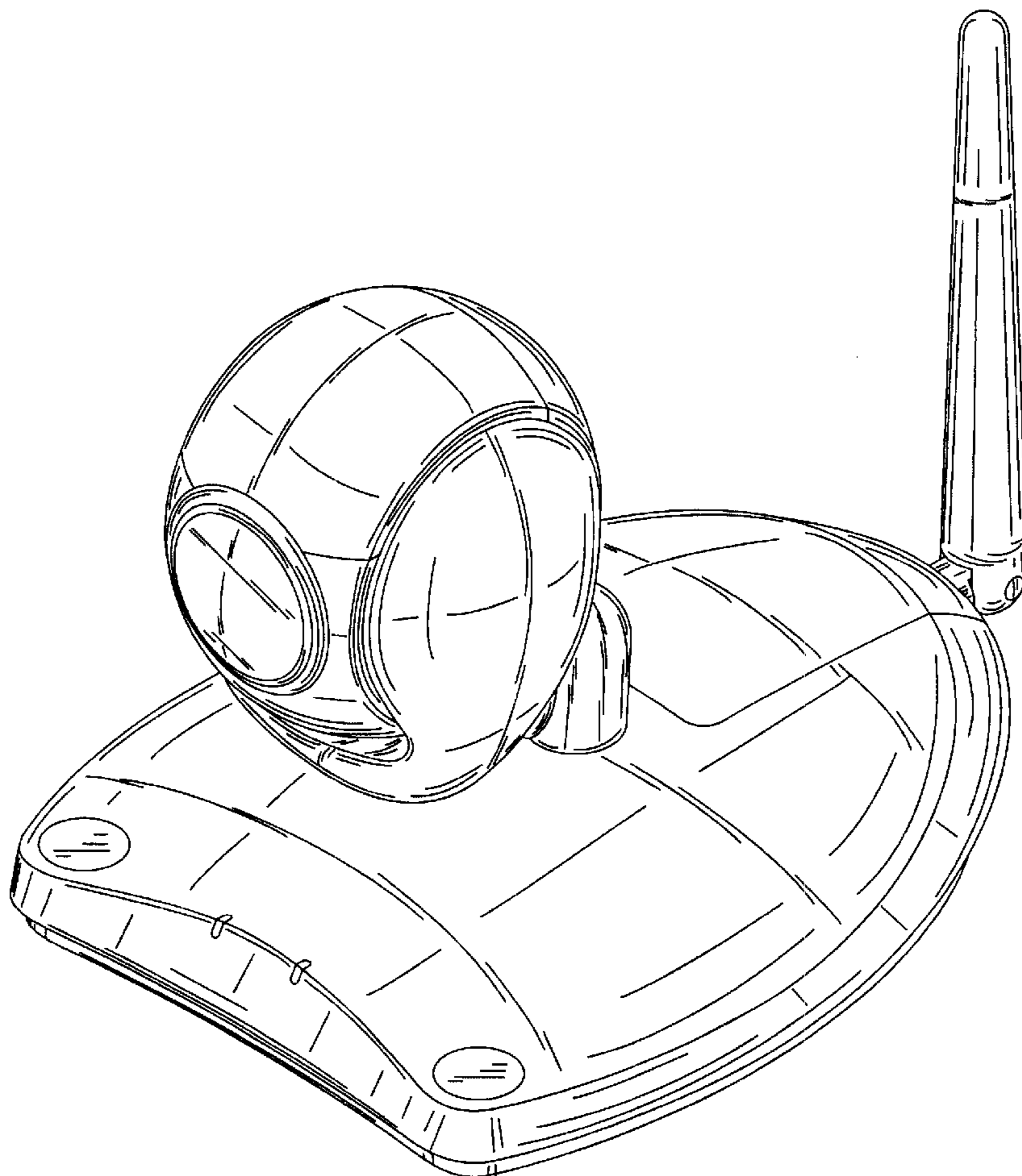
FIG. 4 is a left side elevational view thereof;

FIG. 5 is a right side elevational view thereof;

FIG. 6 is a top plan view thereof; and,

FIG. 7 is a bottom plan view thereof.

1 Claim, 5 Drawing Sheets



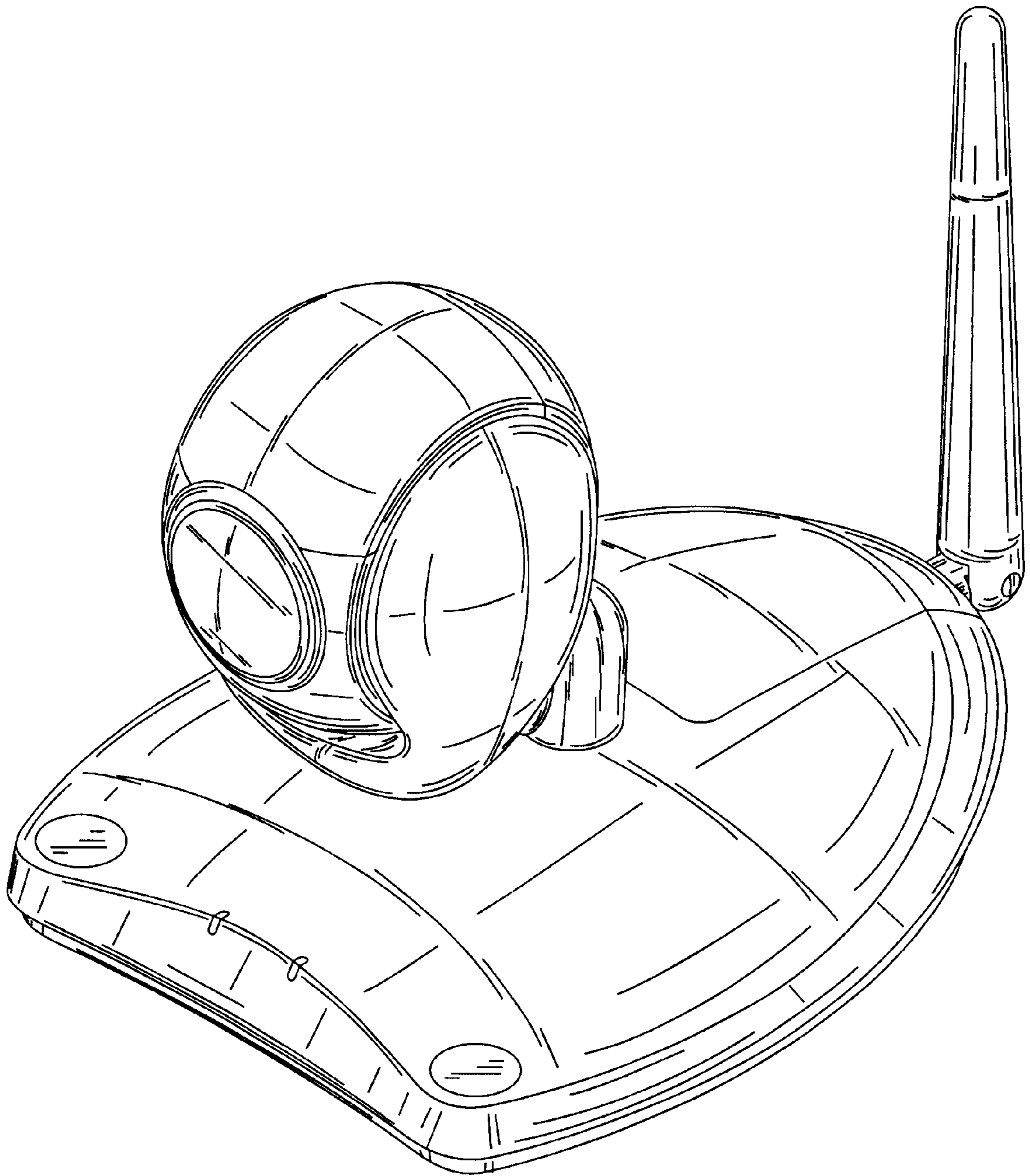


Fig. 1

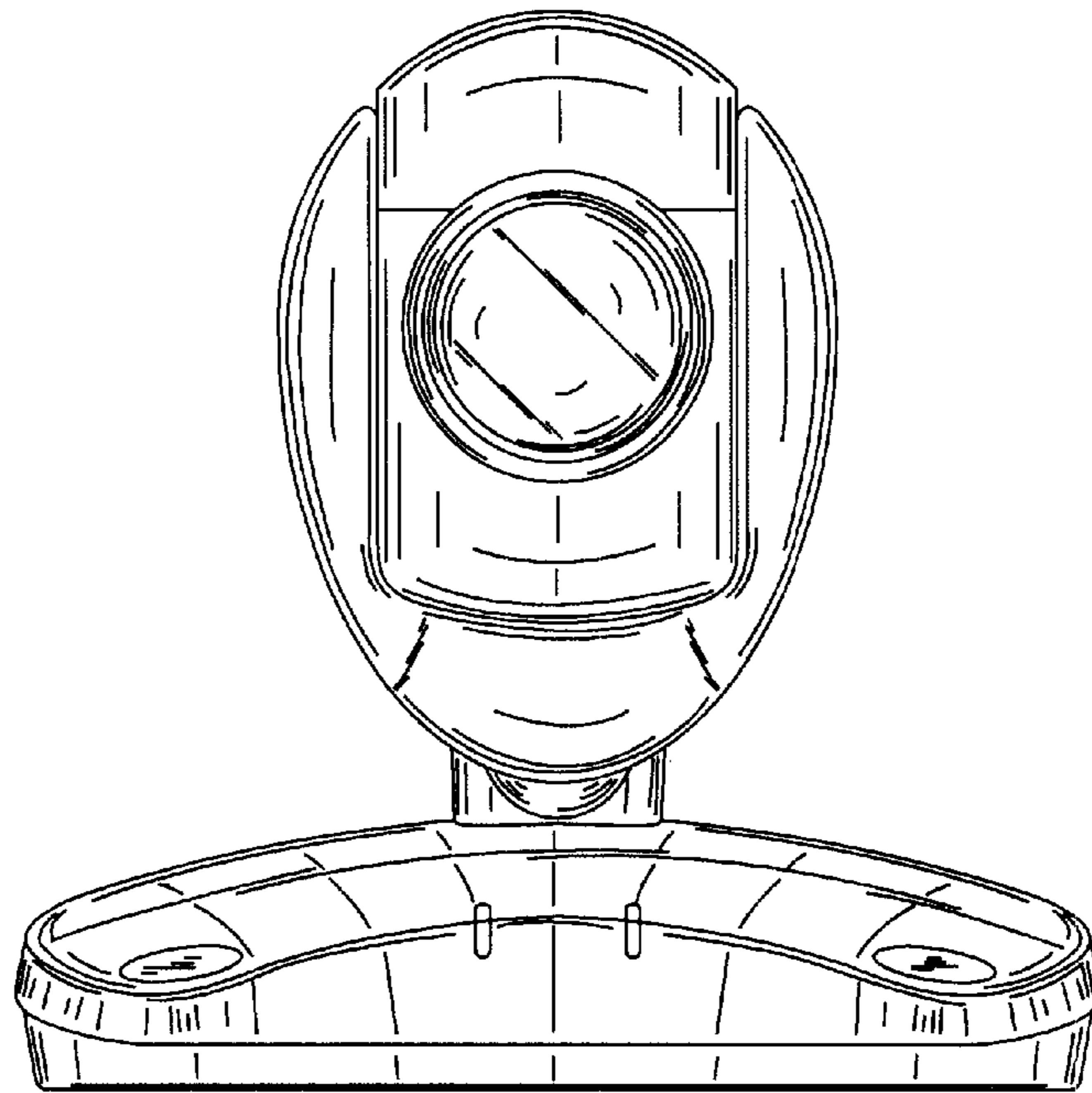


Fig. 2

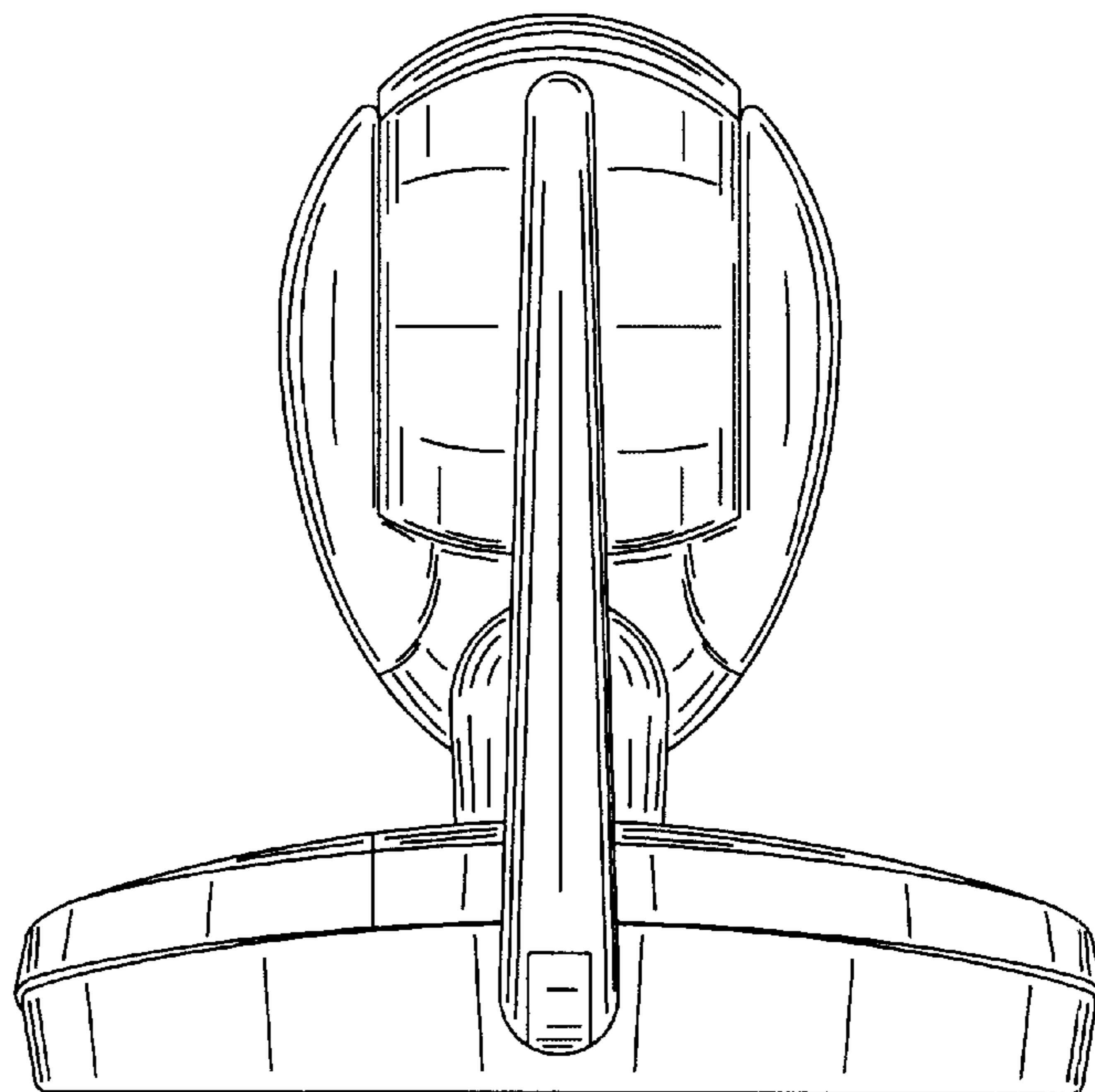


Fig. 3

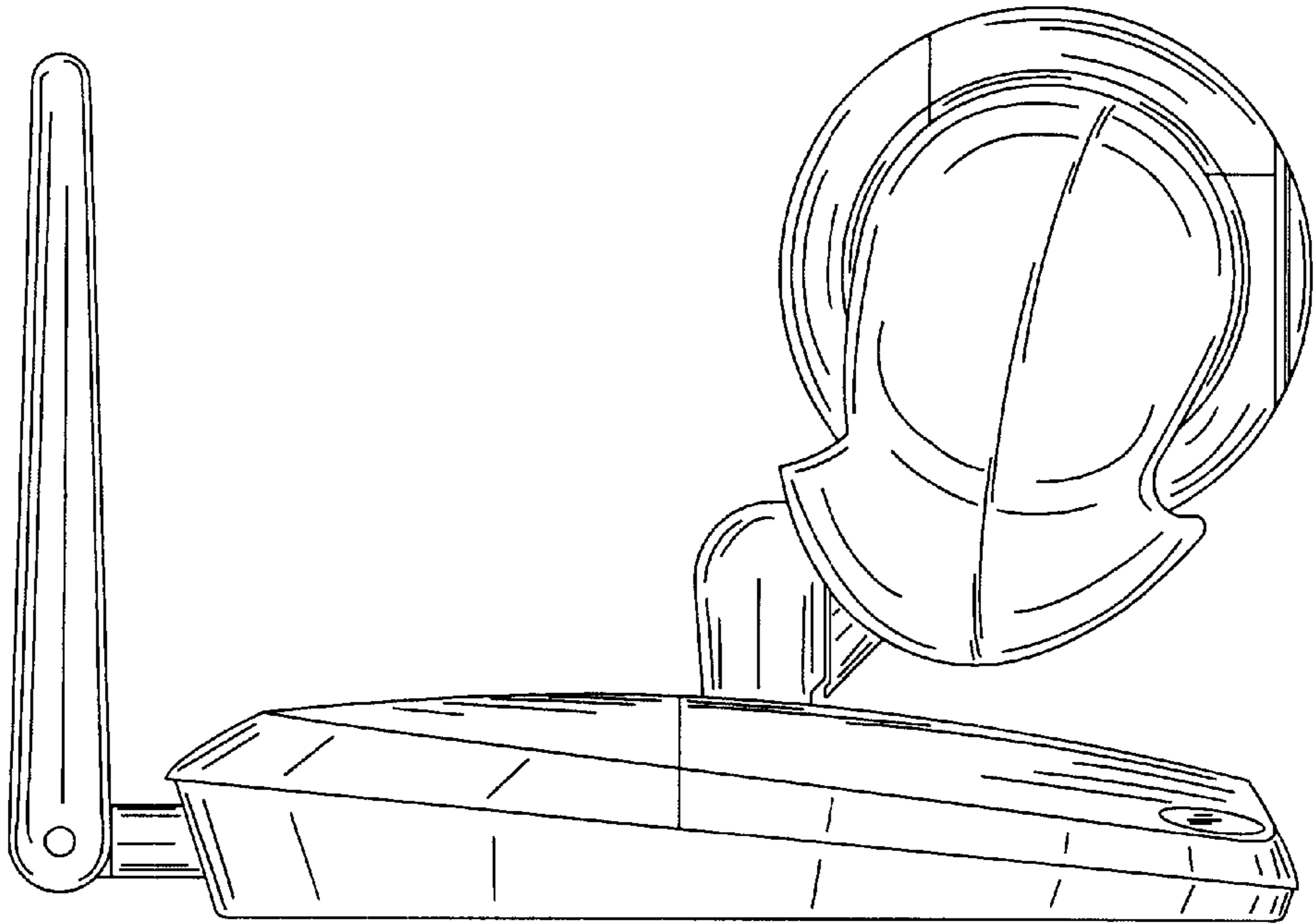


Fig. 4

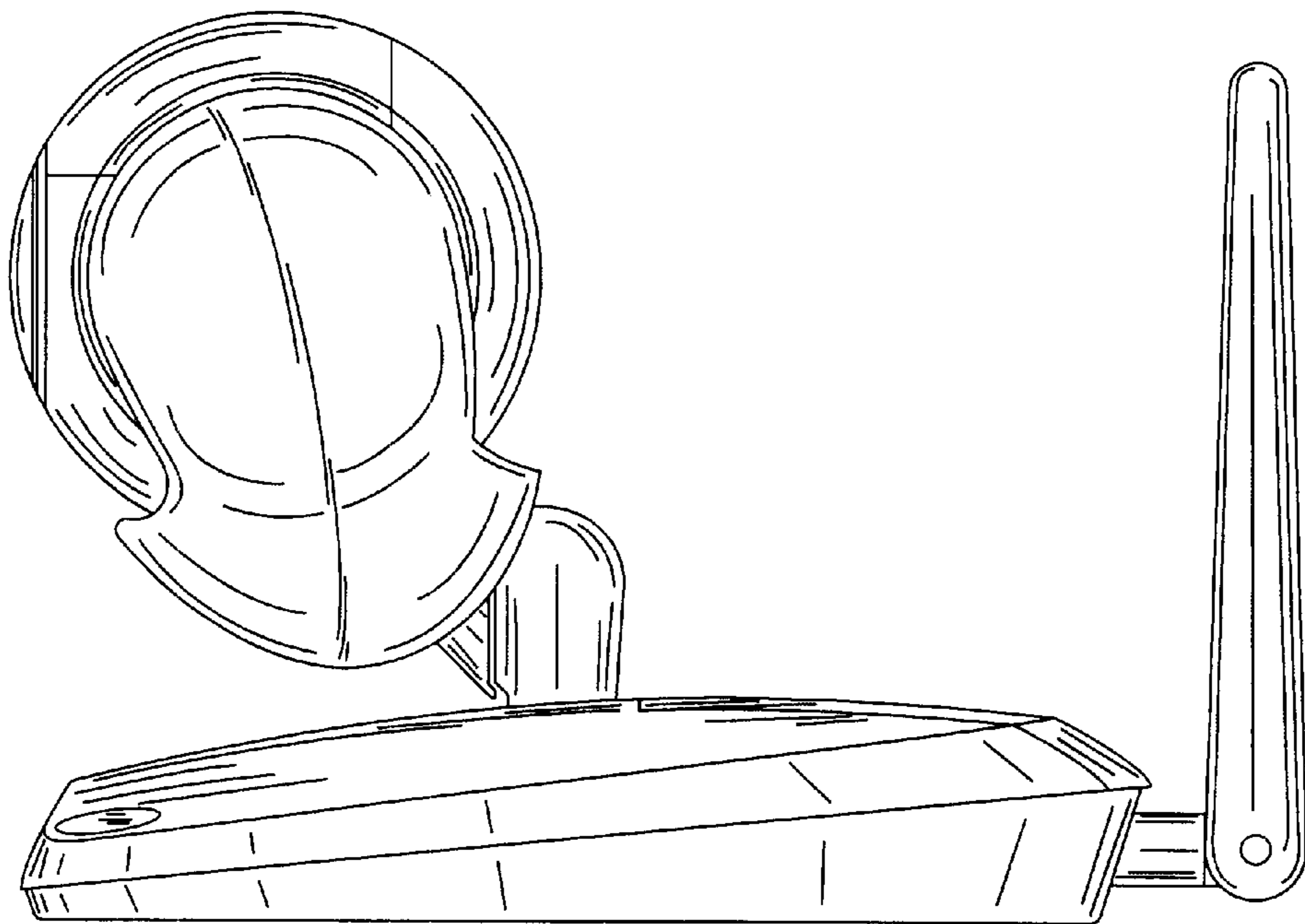


Fig. 5

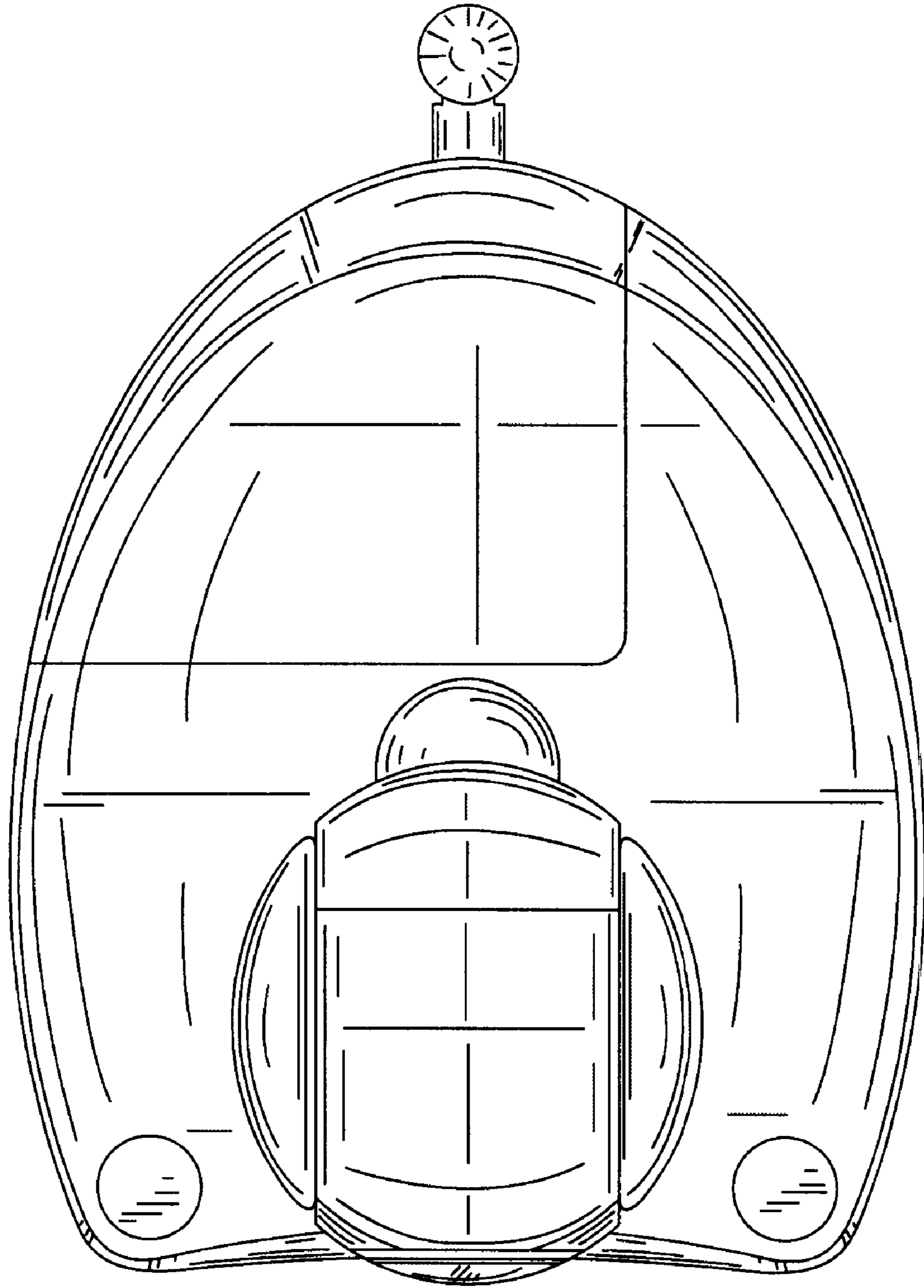


Fig. 6

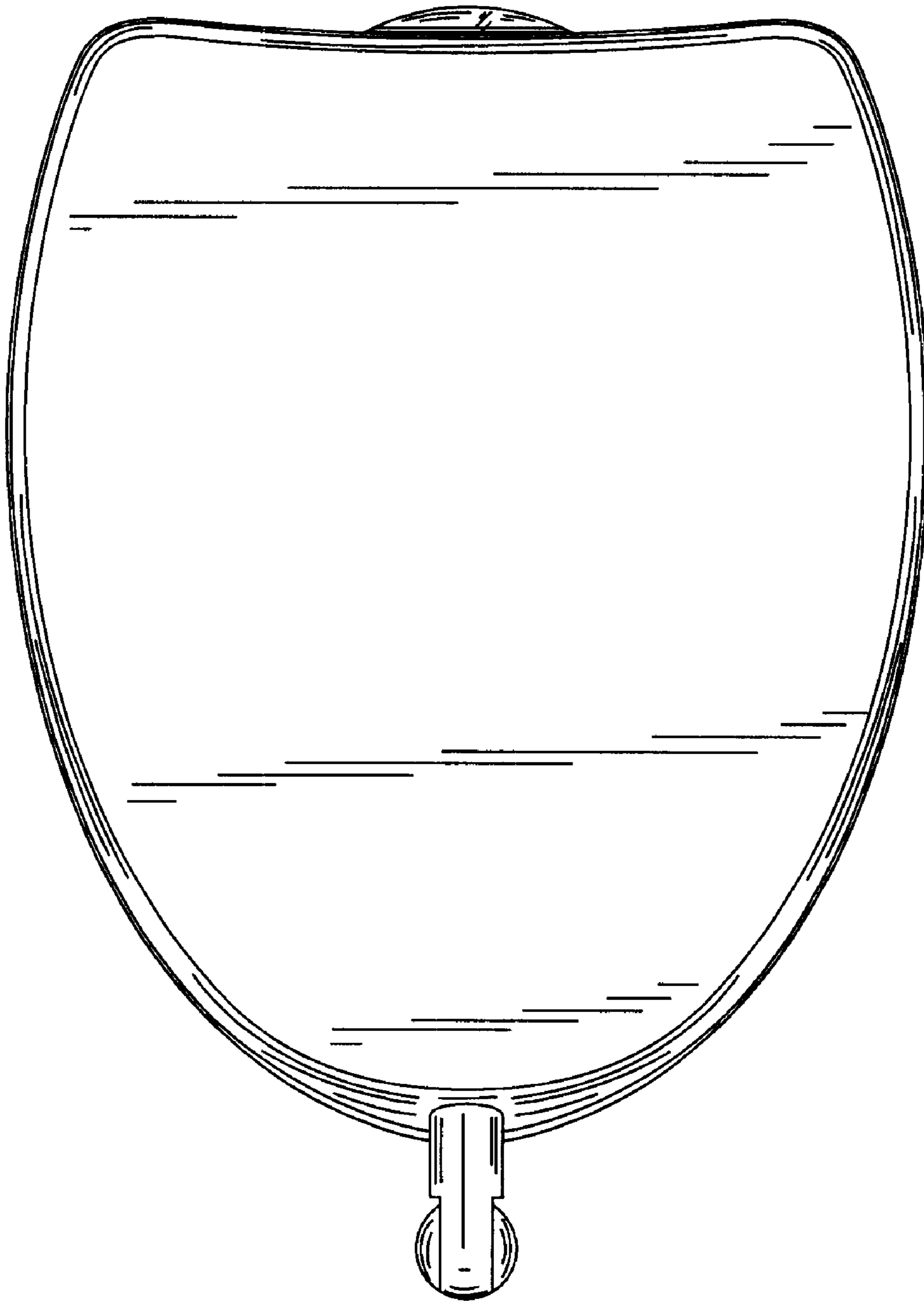


Fig. 7