



US00D475067S

(12) **United States Design Patent**
Ito et al.

(10) **Patent No.:** **US D475,067 S**

(45) **Date of Patent:** **** May 27, 2003**

(54) **POWER TILLER**

(75) Inventors: **Jun Ito, Saitama (JP); Hiromi Yuzuriha, Saitama (JP)**

(73) Assignee: **Honda Giken Kogyo Kabushiki Kaisha, Tokyo (JP)**

(**) Term: **14 Years**

(21) Appl. No.: **29/163,924**

(22) Filed: **Jul. 16, 2002**

(30) **Foreign Application Priority Data**

Jan. 18, 2002 (JP) 2002-001076

(51) **LOC (7) Cl.** **15-03**

(52) **U.S. Cl.** **D15/12**

(58) **Field of Search** D15/10-12; 172/42, 172/43, 250, 256

(56) **References Cited**

U.S. PATENT DOCUMENTS

D231,005 S * 3/1974 Noma et al. D15/12

D249,518 S * 9/1978 Cognata et al. D15/12
4,640,366 A * 2/1987 Saito 172/42
D416,026 S * 11/1999 Ohsumi et al. D15/12

* cited by examiner

Primary Examiner—Mitchell Siegel
(74) *Attorney, Agent, or Firm*—Blank Rome LLP

(57) **CLAIM**

The ornamental design for a power tiller, as shown and described.

DESCRIPTION

FIG. 1 is a front view of a power tiller showing a new design; FIG. 2 is a rear view thereof; FIG. 3 is a top plan view thereof; FIG. 4 is a bottom view thereof; FIG. 5 is a left side view thereof; FIG. 6 is a right side view thereof; FIG. 7 is a left front perspective view thereof; and, FIG. 8 is a right front perspective view.

1 Claim, 3 Drawing Sheets



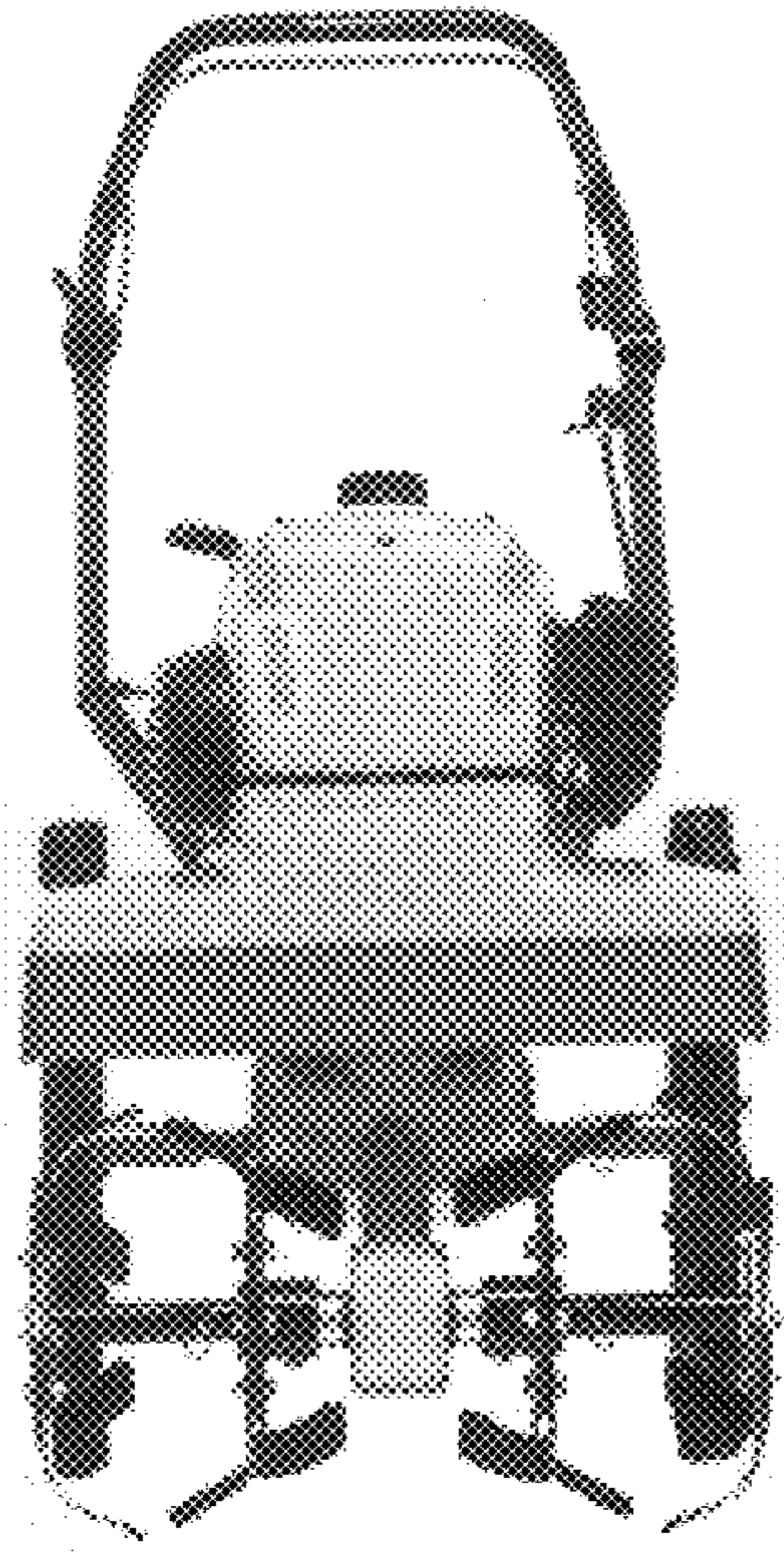


FIG. 1

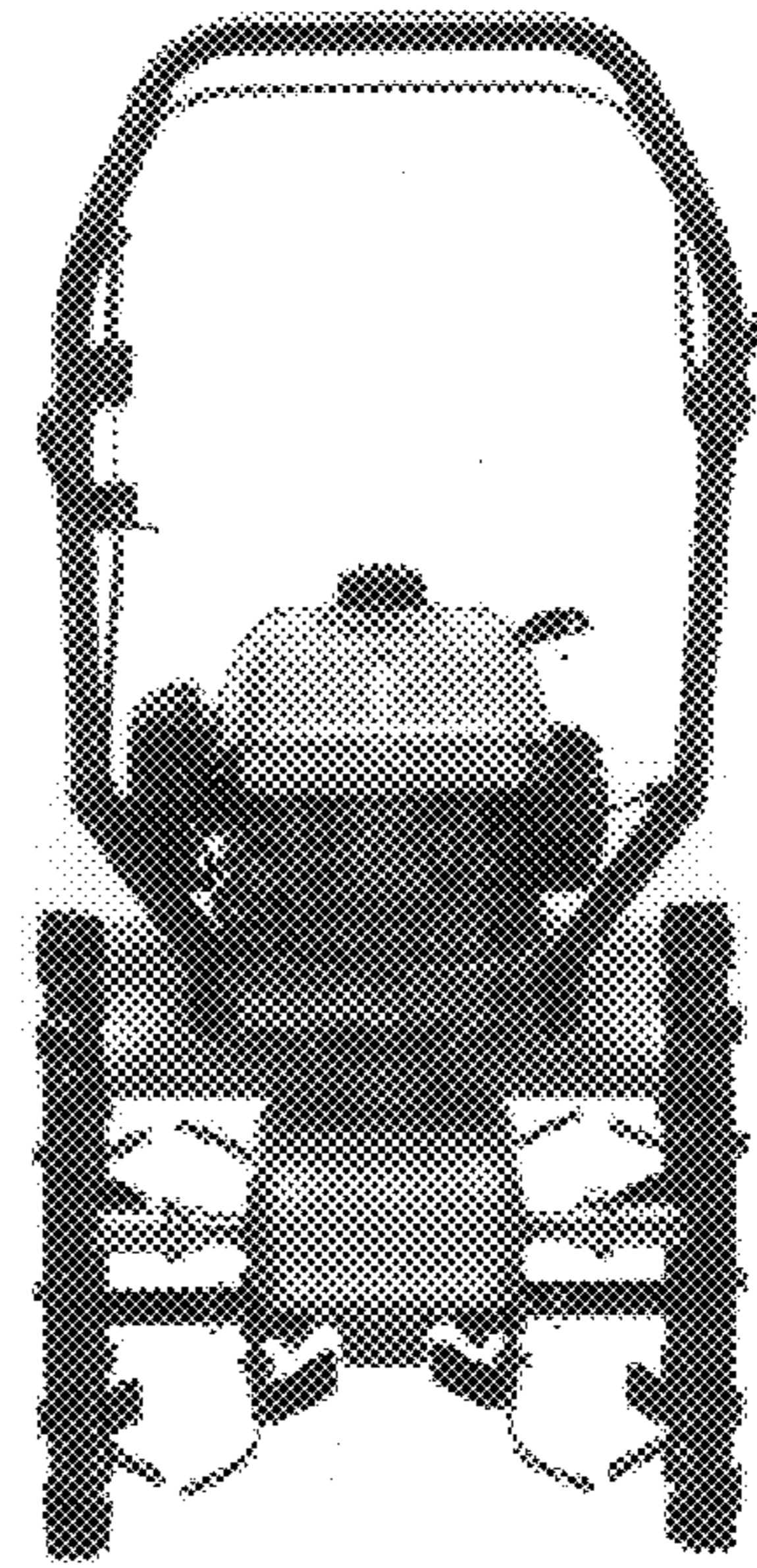


FIG. 2

FIG. 3

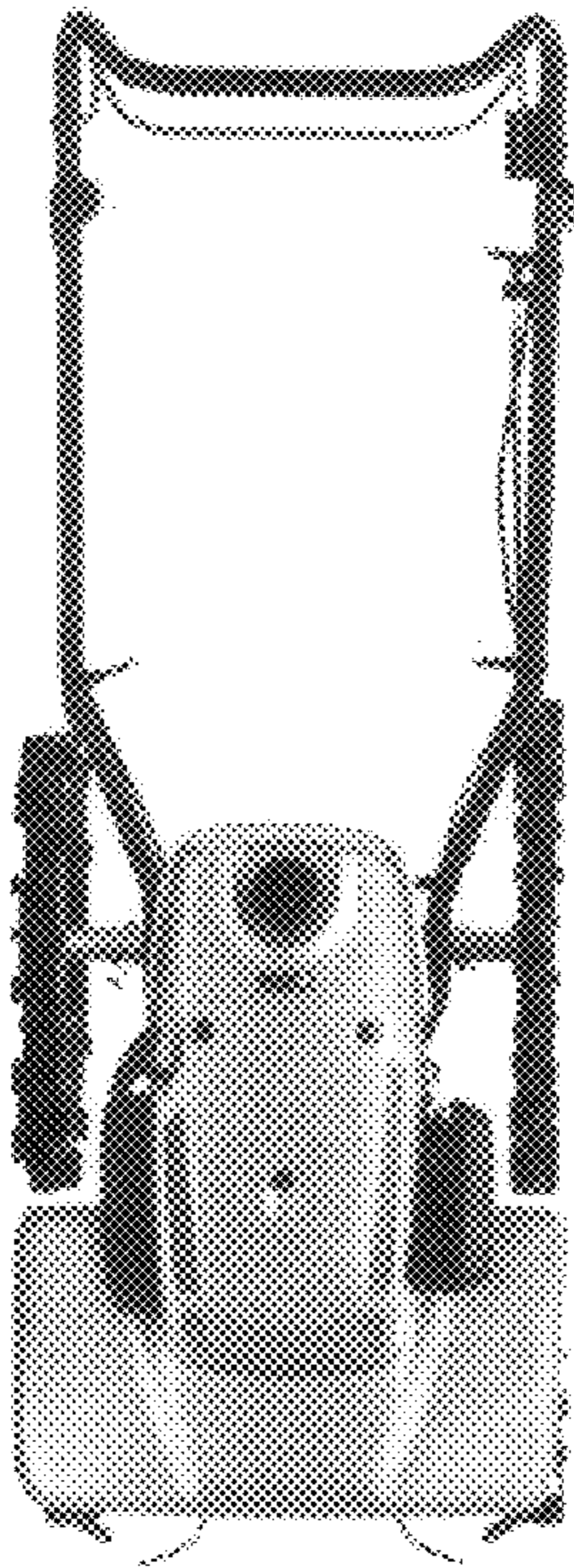
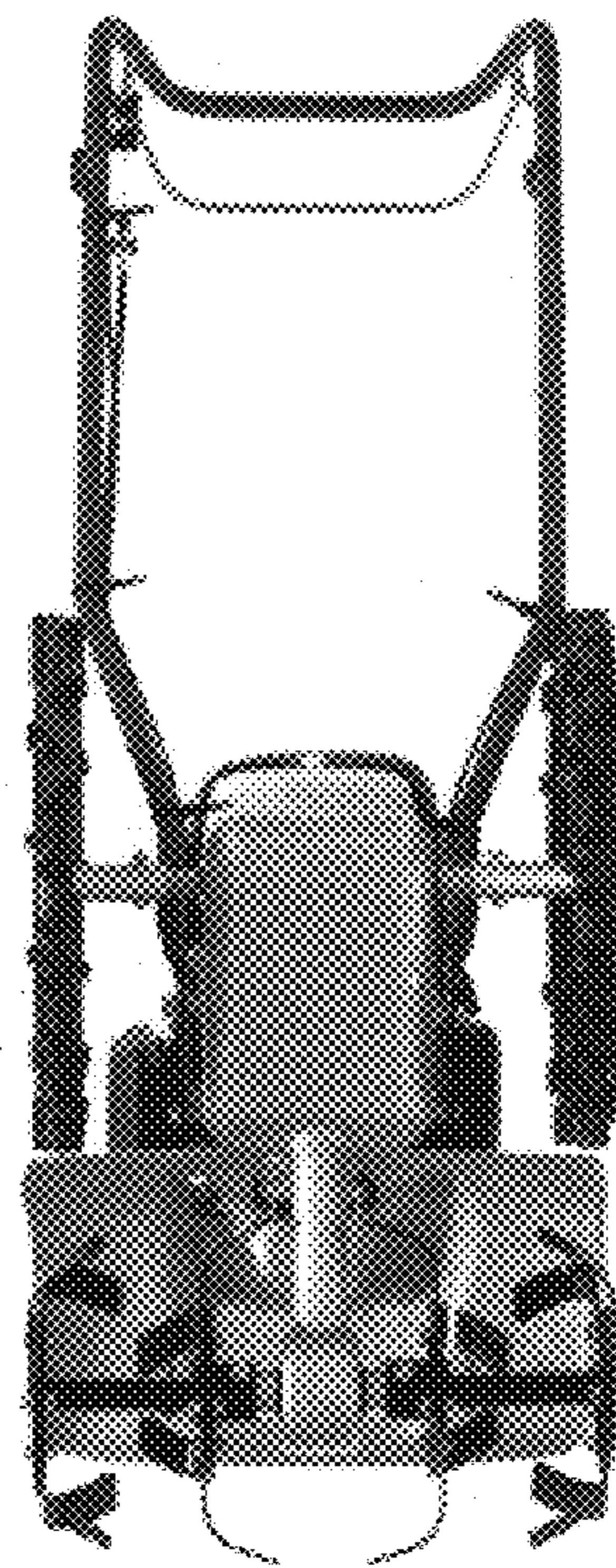


FIG. 4



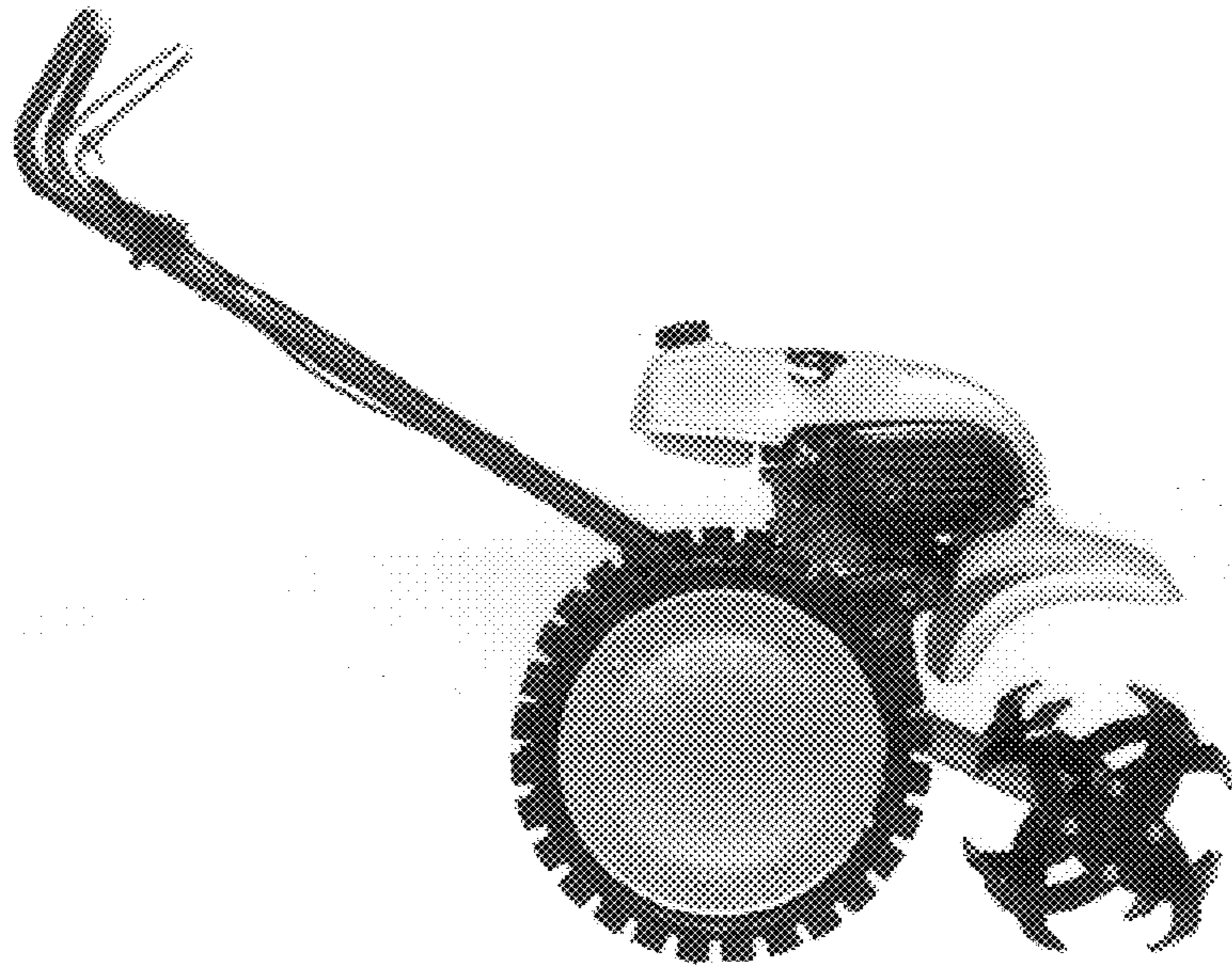


FIG. 5

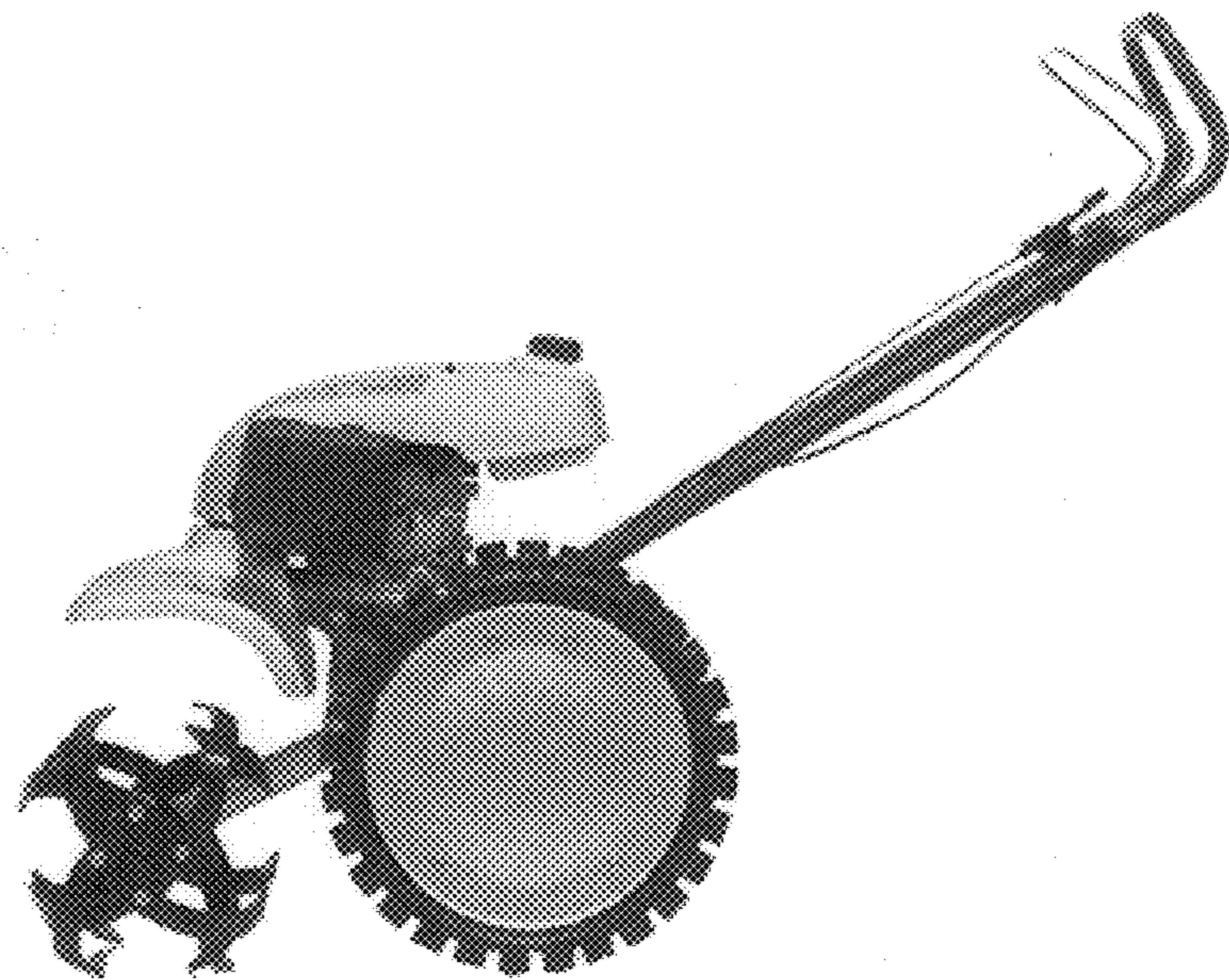


FIG. 6

FIG. 7

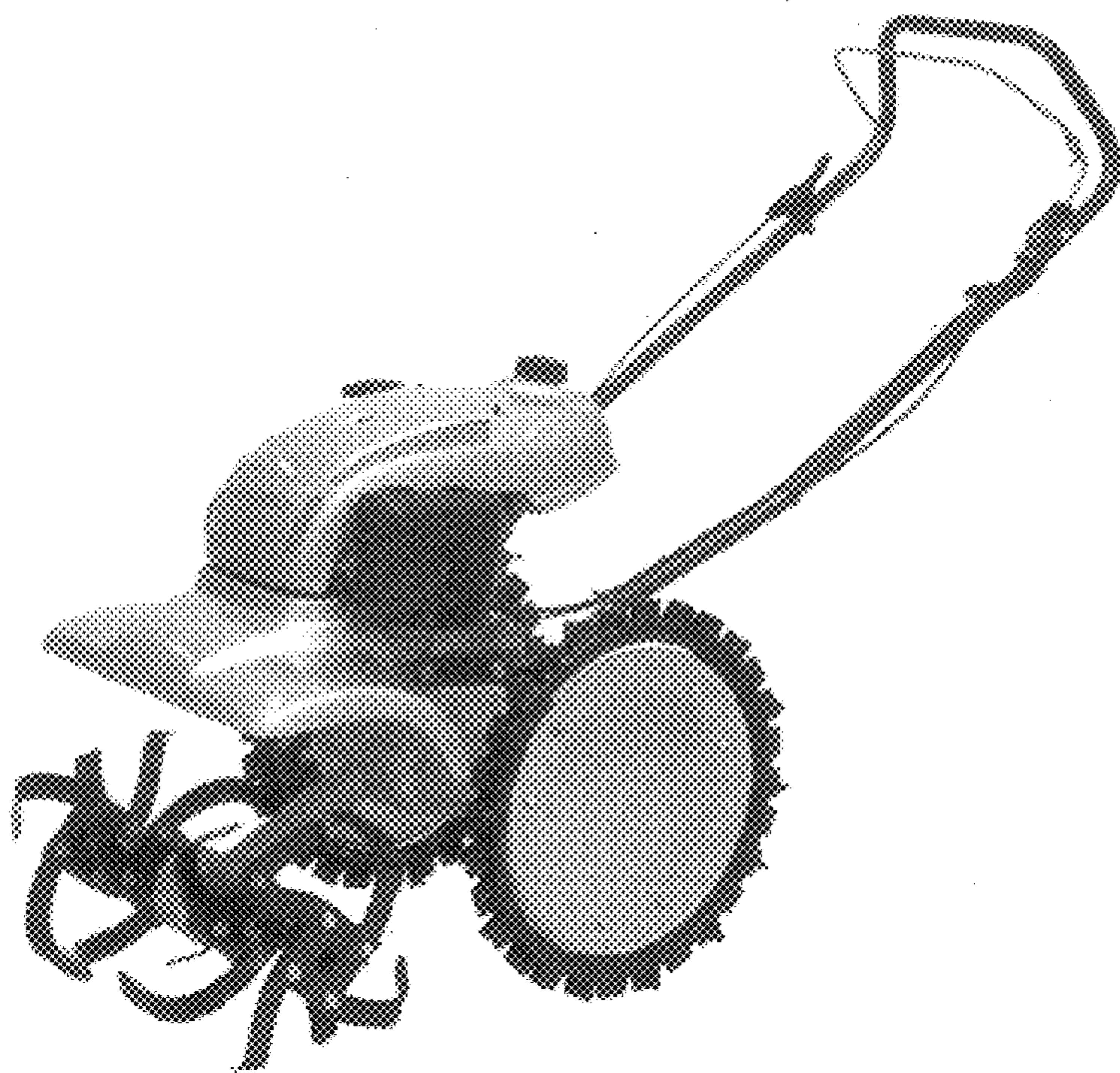


FIG. 8