



US00D475061S

(12) **United States Design Patent**
Huang

(10) **Patent No.:** **US D475,061 S**

(45) **Date of Patent:** **** May 27, 2003**

(54) **FIXING DEVICE FOR REMOVABLE HARD DRIVE**

6,370,108 B1 * 4/2002 Ikebe et al. 369/291

* cited by examiner

(76) **Inventor:** **James Jyh Chian Huang**, 17908 Vierra Ave., Cerritos, CA (US) 90703

Primary Examiner—Kay H. Chin

(74) *Attorney, Agent, or Firm*—Jacobson Holman PLLC

(**) **Term:** **14 Years**

(57) **CLAIM**

(21) **Appl. No.:** **29/155,238**

The ornamental design for a fixing device for removable hard drive, as shown and described.

(22) **Filed:** **Feb. 8, 2002**

DESCRIPTION

(51) **LOC (7) Cl.** **14-02**

(52) **U.S. Cl.** **D14/483; D14/432**

(58) **Field of Search** D14/432, 433, D14/483; 361/679, 730, 736, 728; D13/146, 147, 199; 439/131, 299, 300, 345, 372

FIG. 1 is a perspective view of a fixing device for removable hard drive showing my design;

FIG. 2 is a front elevational view thereof;

FIG. 3 is a rear elevational view thereof;

FIG. 4 is a left side elevational view thereof;

FIG. 5 is a right side elevational view thereof;

FIG. 6 is a top plan view thereof; and

FIG. 7 is a bottom plan view thereof; and,

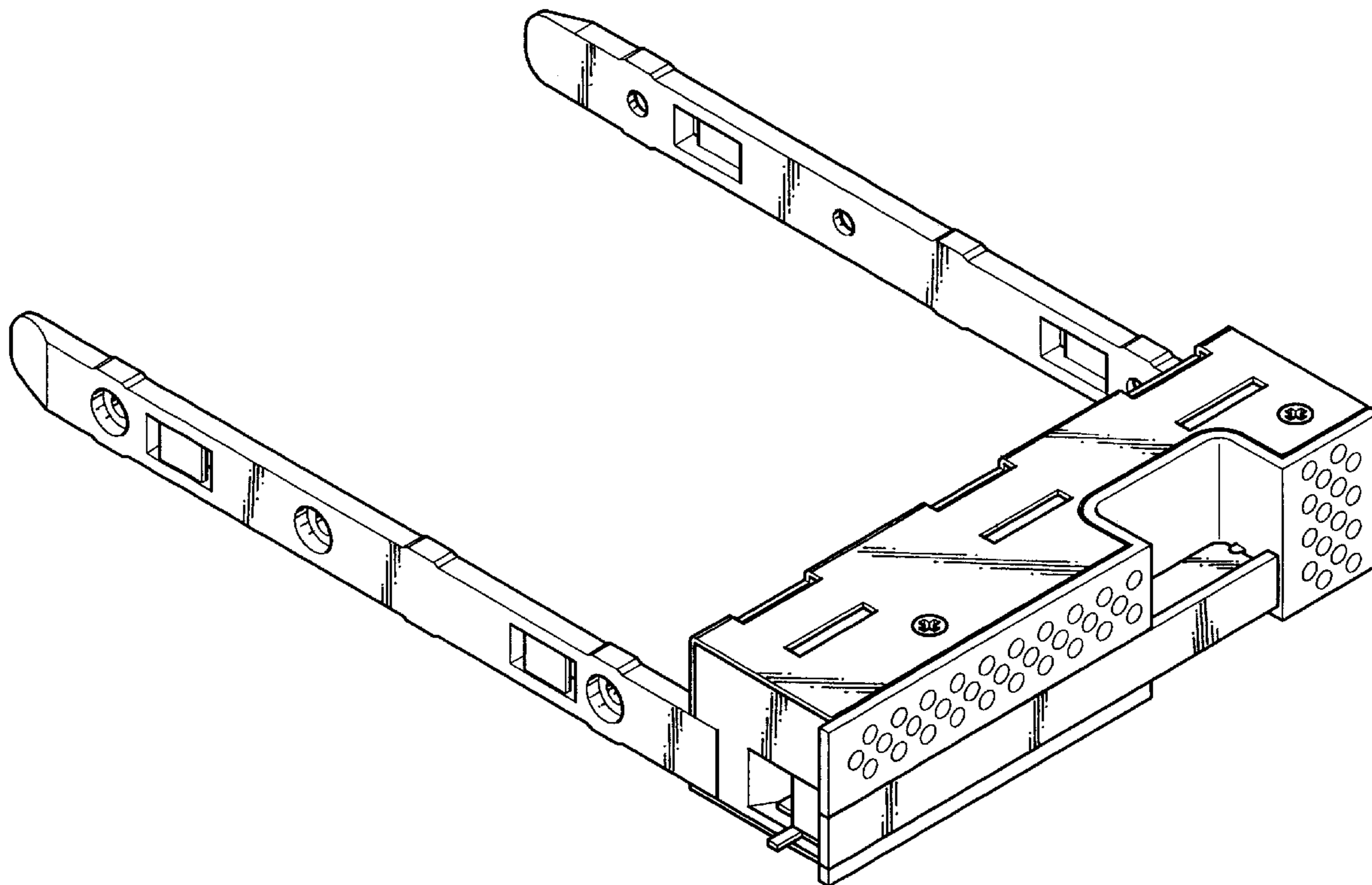
FIG. 8 shows a pull bar of the fixing device of my design is pulled outward.

(56) **References Cited**

U.S. PATENT DOCUMENTS

- D406,573 S * 3/1999 Yao D14/483
- 5,879,173 A * 3/1999 Poplawski et al. 439/372
- D424,027 S * 5/2000 Shoda et al. D13/184
- 6,287,138 B1 * 9/2001 Kuang 439/372

1 Claim, 6 Drawing Sheets



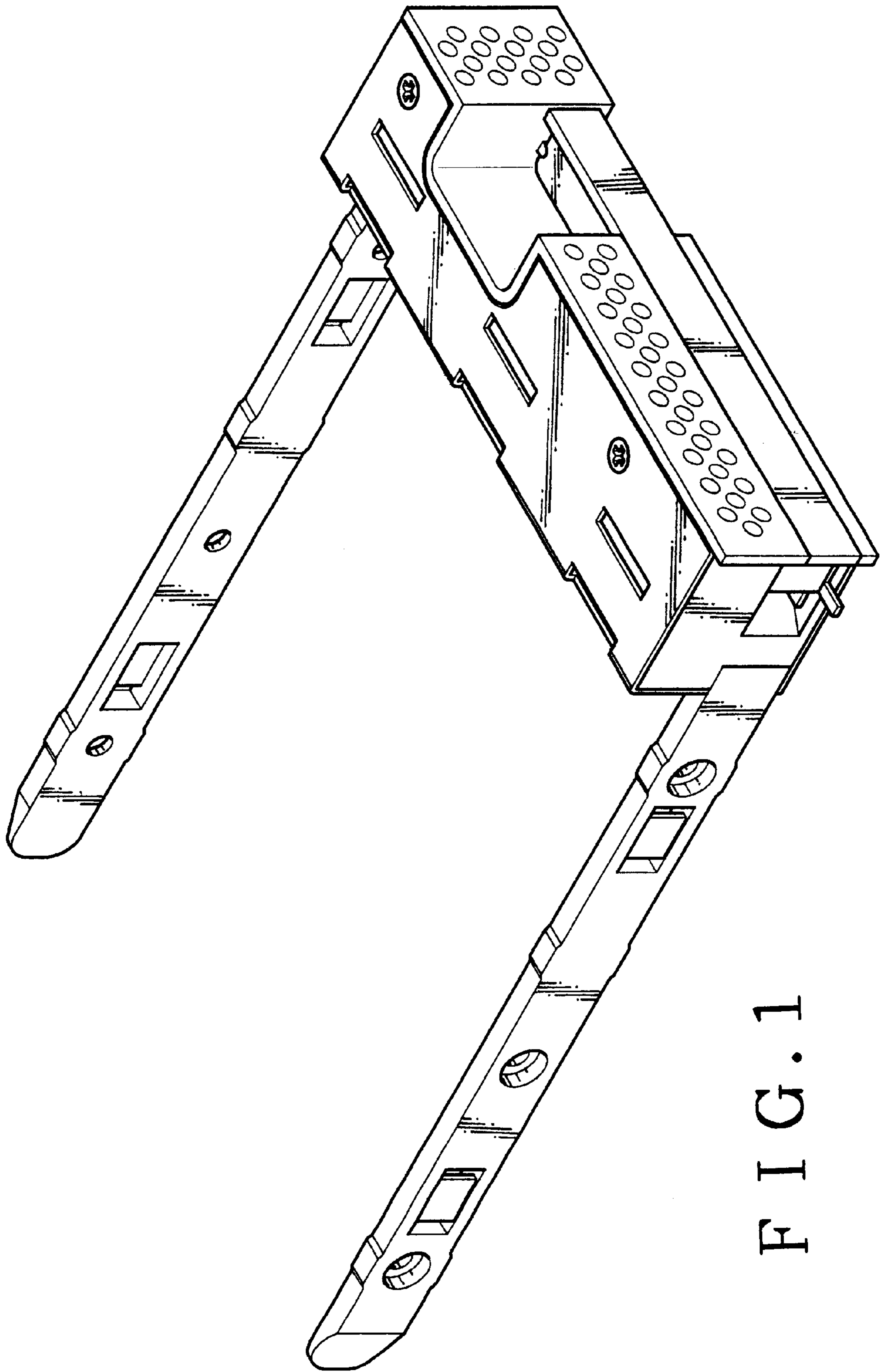


FIG. 1

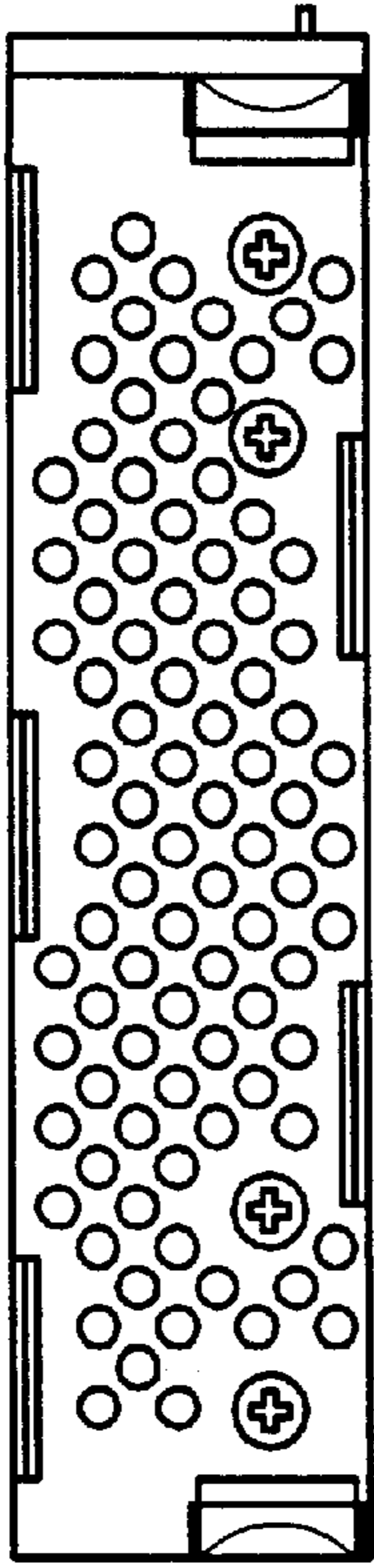


FIG. 3

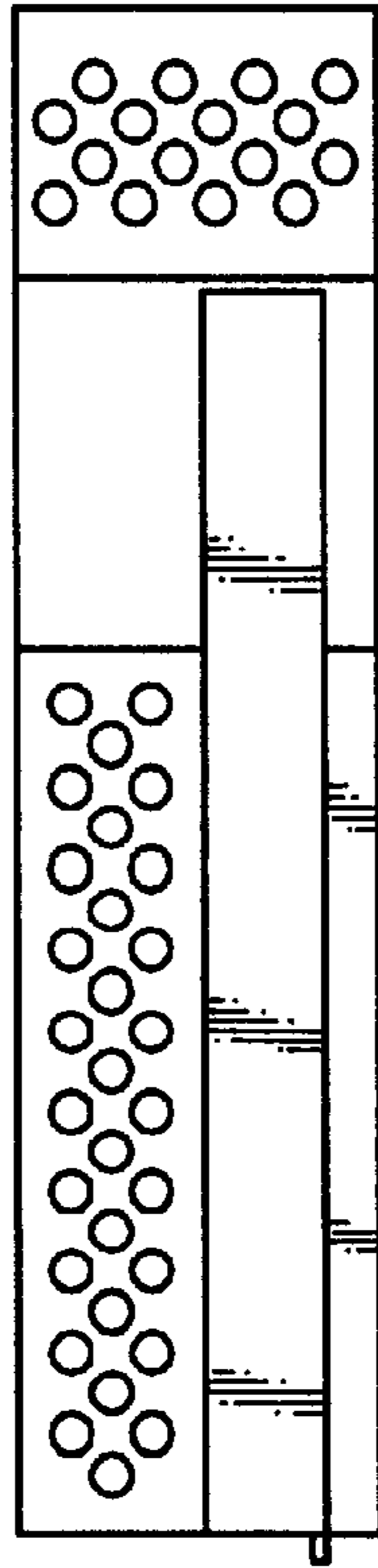


FIG. 2

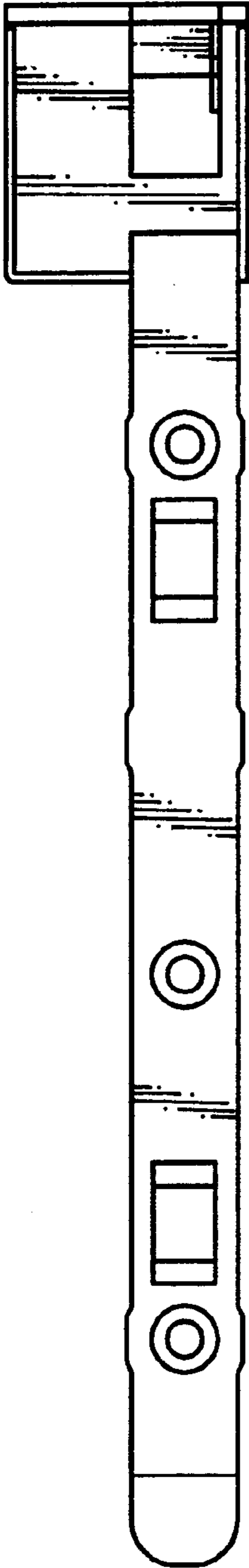


FIG. 4

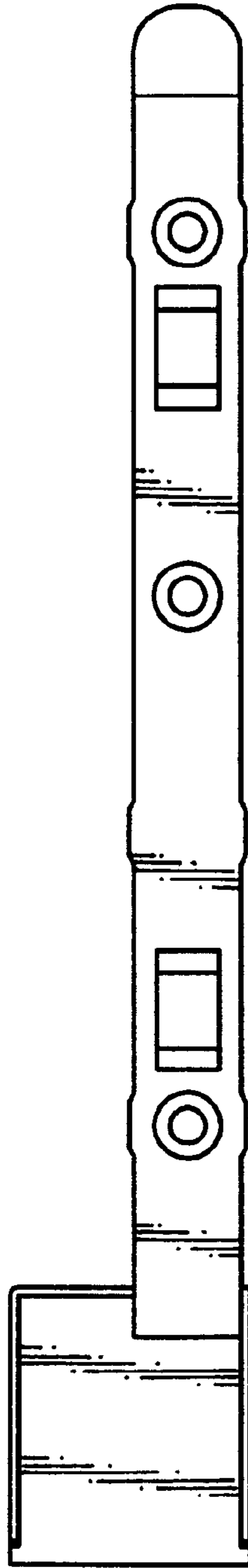


FIG. 5

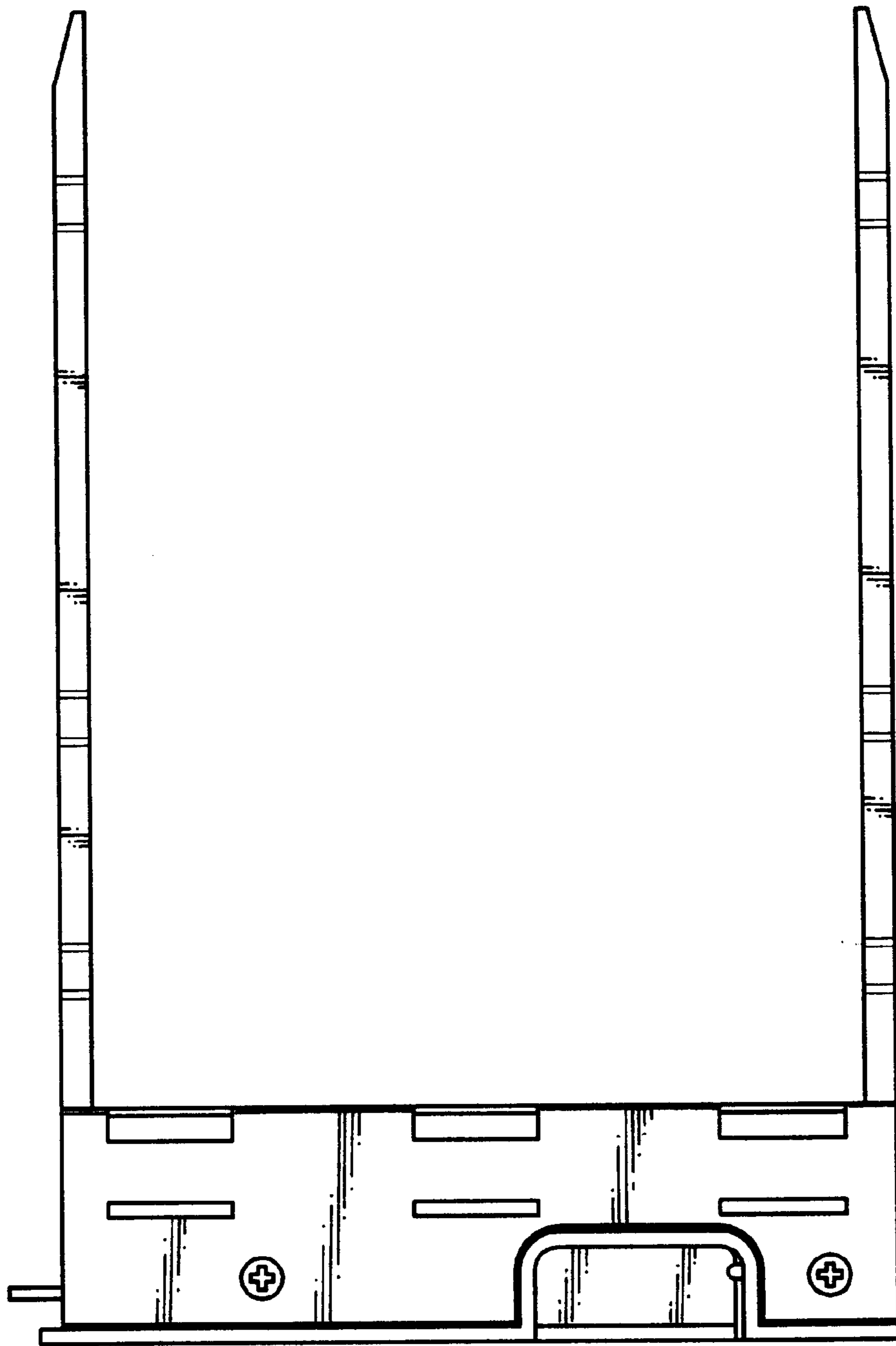


FIG. 6

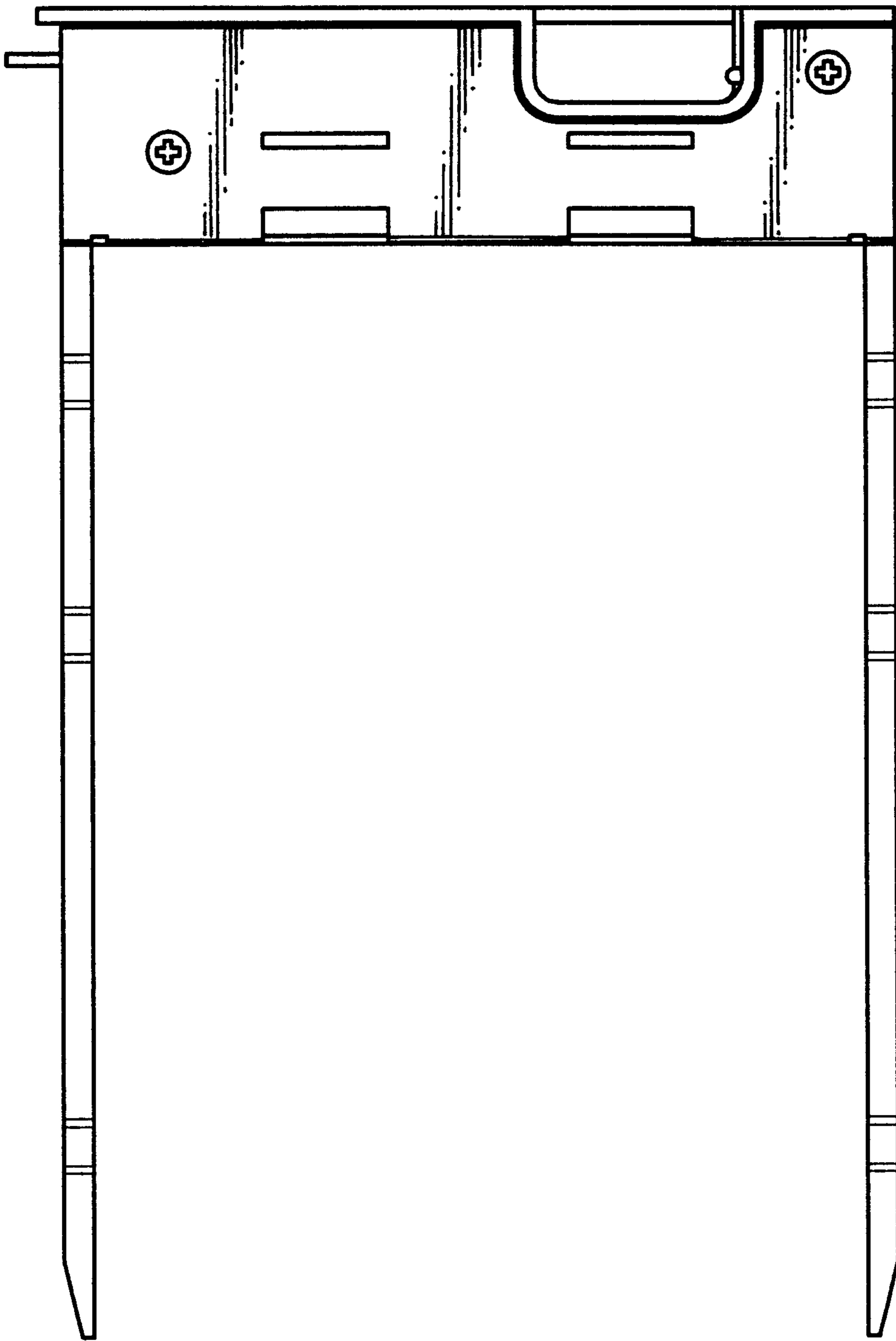


FIG. 7

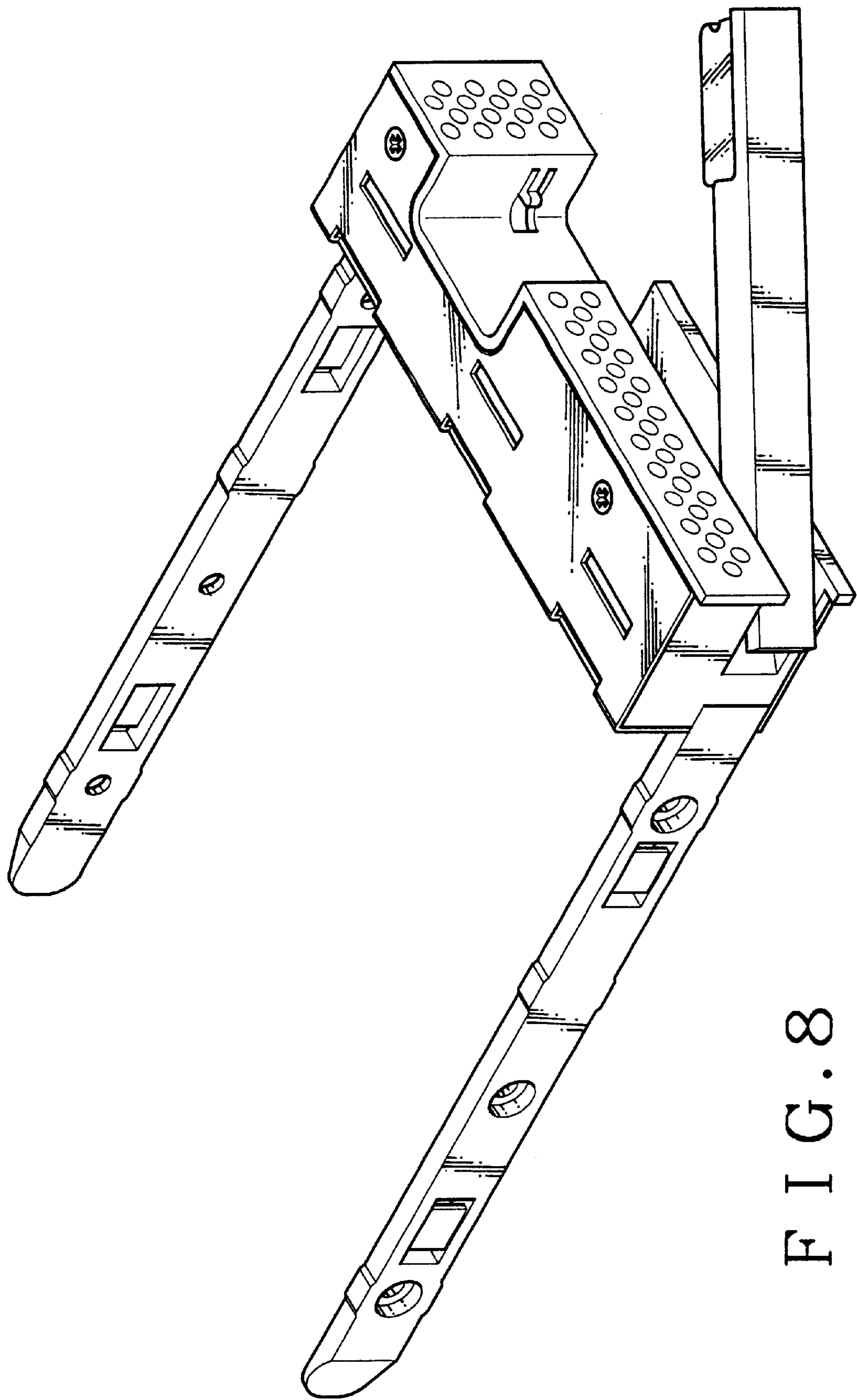


FIG. 8