



US00D475058S

(12) **United States Design Patent**
Suzuki

(10) **Patent No.:** **US D475,058 S**

(45) **Date of Patent:** **** May 27, 2003**

(54) **TAPE CASSETTE**

(75) Inventor: **Masaki Suzuki**, Tokyo (JP)

(73) Assignee: **Sony Corporation**, Tokyo (JP)

(**) Term: **14 Years**

(21) Appl. No.: **29/160,313**

(22) Filed: **May 9, 2002**

(51) **LOC (7) Cl.** **14-99**

(52) **U.S. Cl.** **D14/476**

(58) **Field of Search** D14/474, 475,
D14/476, 478, 477; D21/332, 333; 273/148 B;
463/43-47; 360/132, 133; 242/348, 341,
335, 344, 347, 343.2

(56) **References Cited**

U.S. PATENT DOCUMENTS

D289,637 S	*	5/1987	Ohya et al.	D14/477
D302,553 S	*	8/1989	Koike et al.	D14/476
D349,894 S	*	8/1994	Chung et al.	D14/477
D363,929 S	*	11/1995	Tanaka et al.	D14/476
D377,791 S		2/1997	Kirihara et al.		
D380,466 S	*	7/1997	Iribe	D14/477
D394,254 S	*	5/1998	Kirihara et al.	D14/477
5,926,351 A	*	7/1999	Abe	360/132
6,102,318 A	*	8/2000	Morita et al.	242/347.1
6,160,679 A	*	12/2000	Maekawa et al.	242/344

6,205,001 B1	*	3/2001	Vanderheyden et al.	242/347
D441,349 S		5/2001	Sasaki		
6,430,004 B1	*	8/2002	Sakurai	242/343.2

FOREIGN PATENT DOCUMENTS

JP 828418 2/1992

OTHER PUBLICATIONS

Home Page "AXIA:J'z Color, <http://www.axia.co.jp/products/ctjz.html>", 2 sheets, Axia Corporation (Dec. 2001).

* cited by examiner

Primary Examiner—Prabhakar Deshmukh

(74) *Attorney, Agent, or Firm*—Rader, Fishman & Grauer PLLC

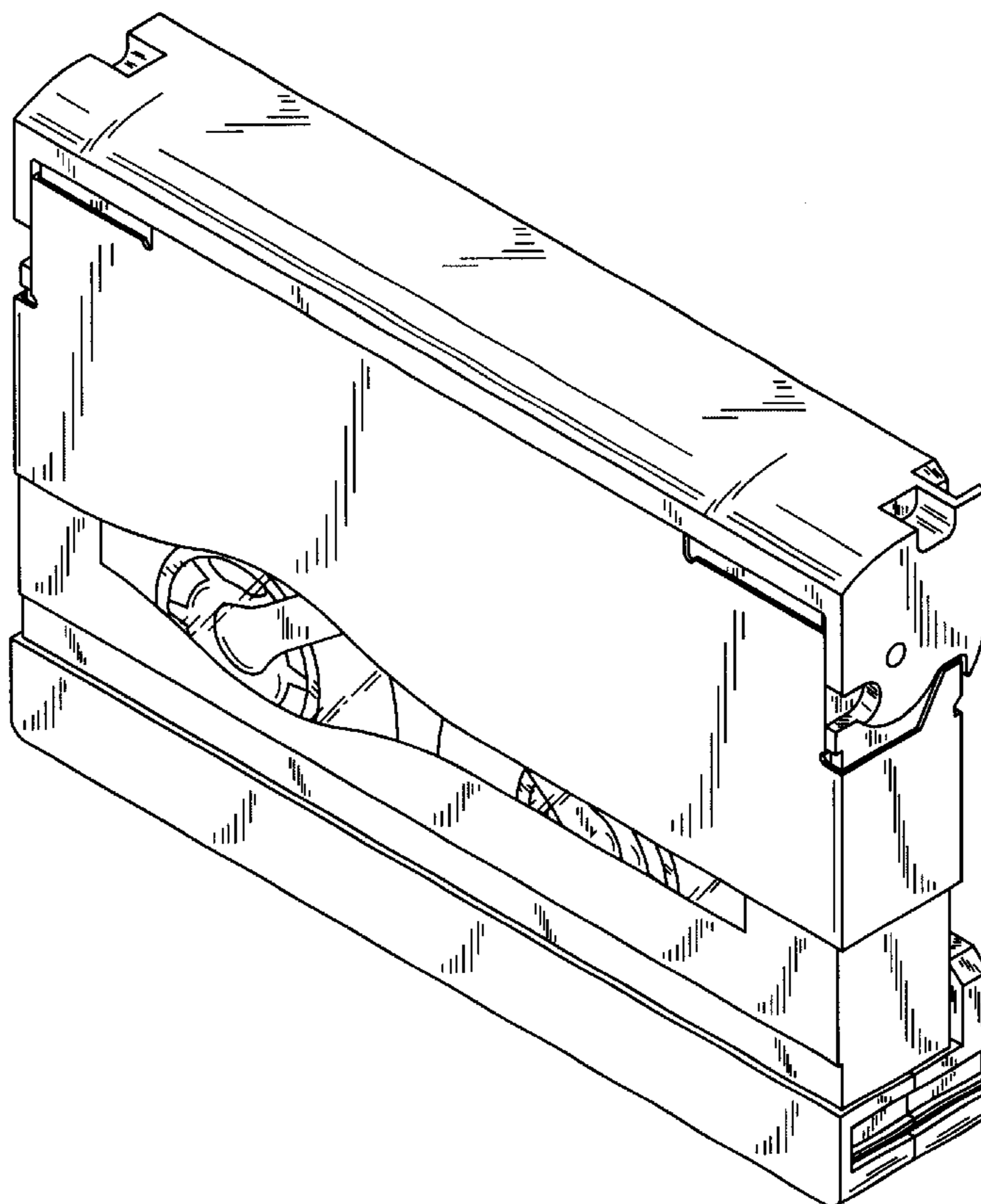
(57) **CLAIM**

The ornamental design for a tape cassette, as shown.

DESCRIPTION

FIG. 1 is a perspective view of a tape cassette showing my new design;
FIG. 2 is a front elevational view thereof;
FIG. 3 is a rear elevational view thereof;
FIG. 4 is a left side elevational view thereof;
FIG. 5 is a right side elevational view thereof;
FIG. 6 is a top plan view thereof; and,
FIG. 7 is a bottom plan view thereof.

1 Claim, 4 Drawing Sheets



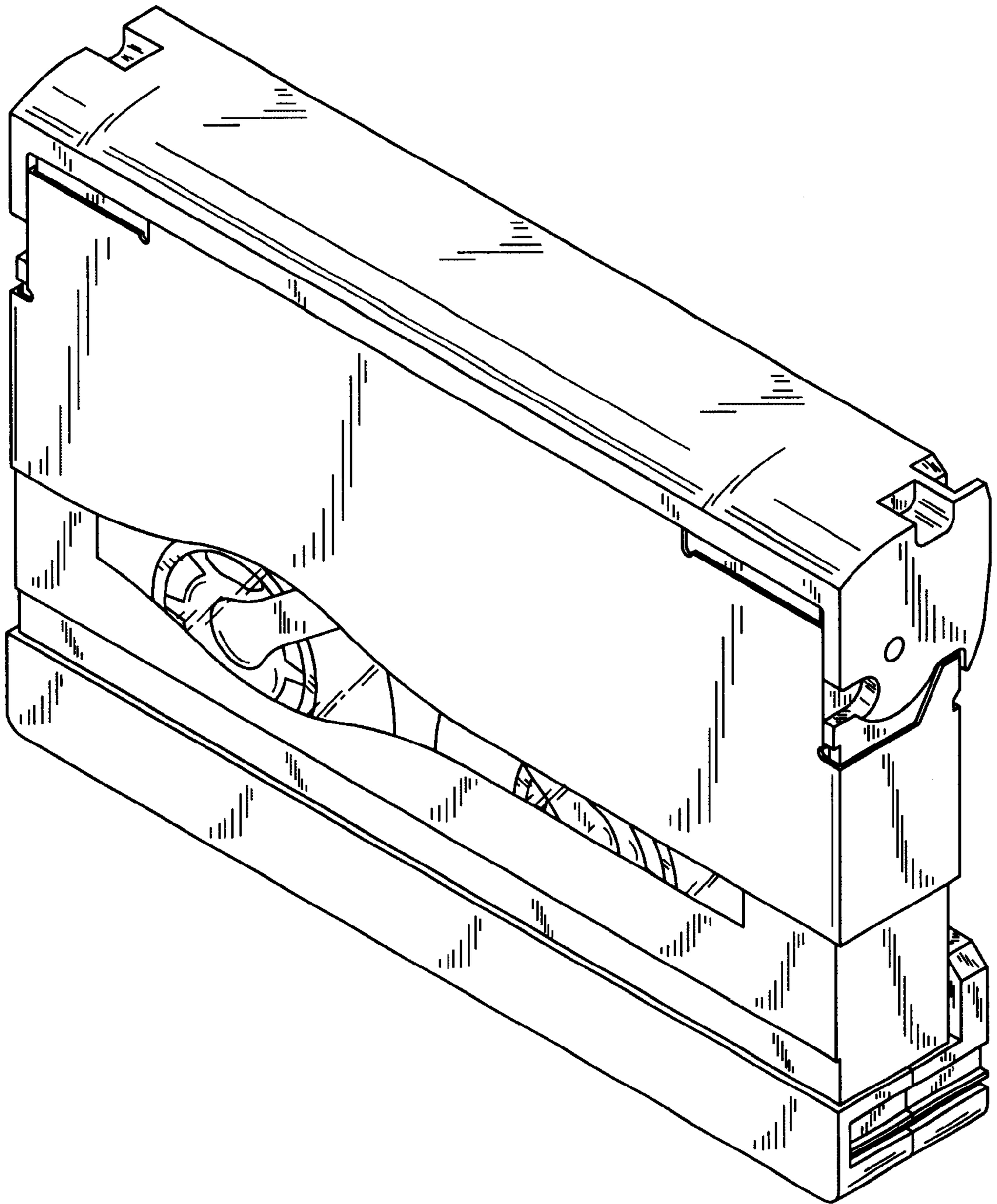


Fig. 1

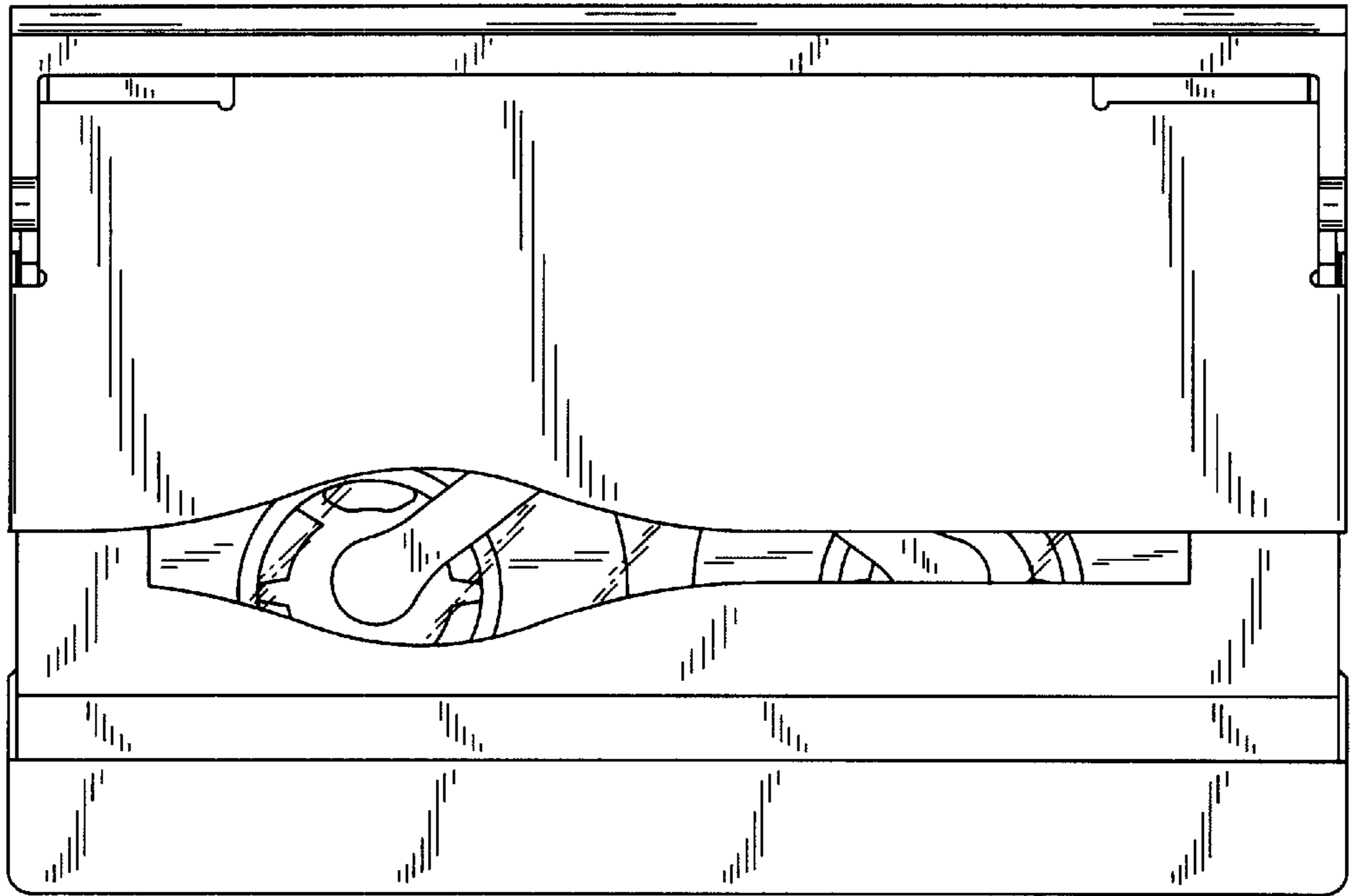


Fig. 2

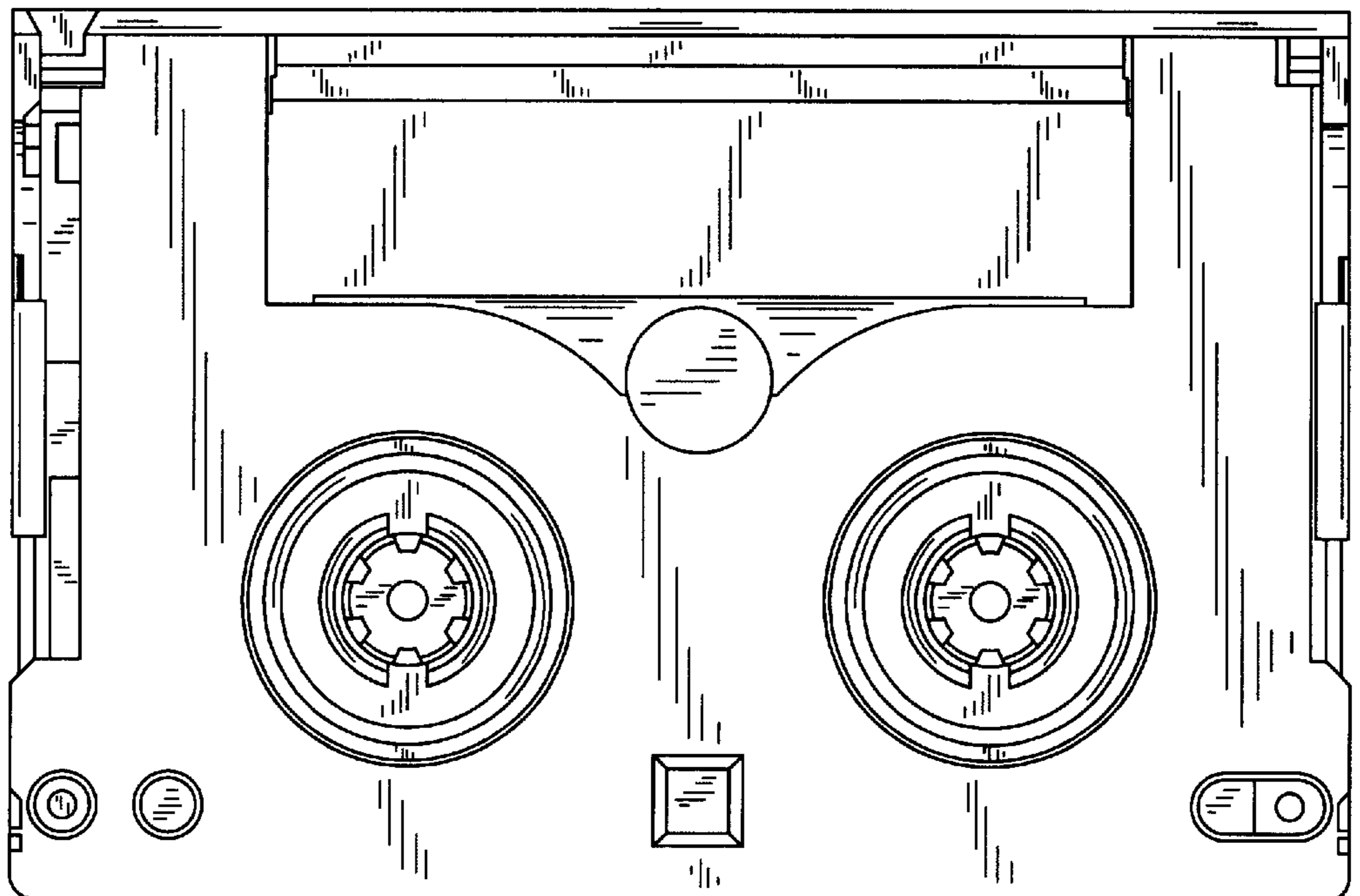


Fig. 3



Fig. 4

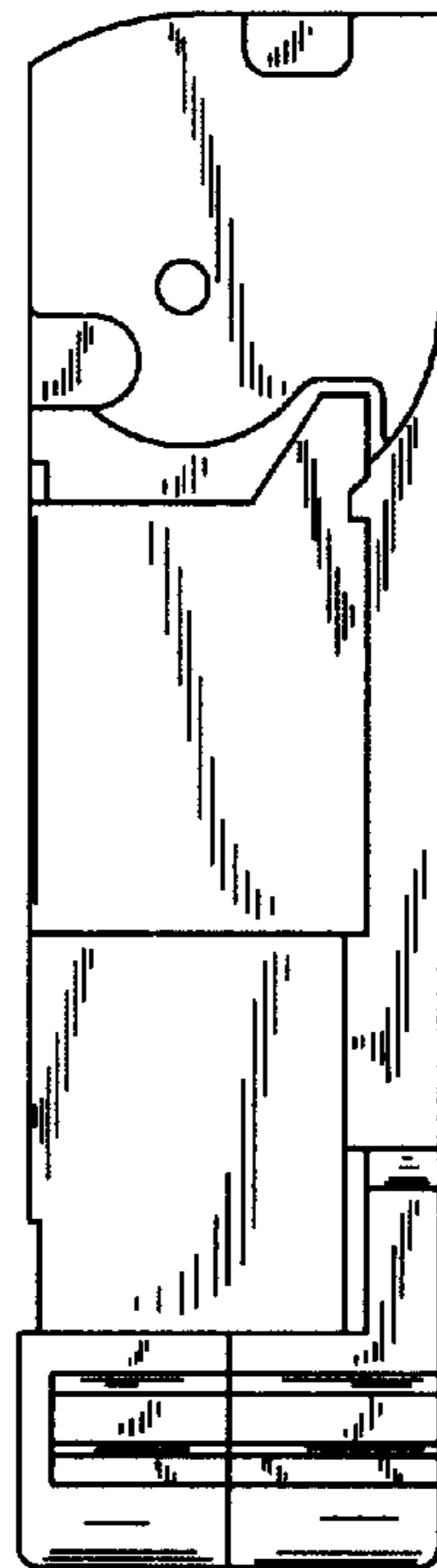


Fig. 5

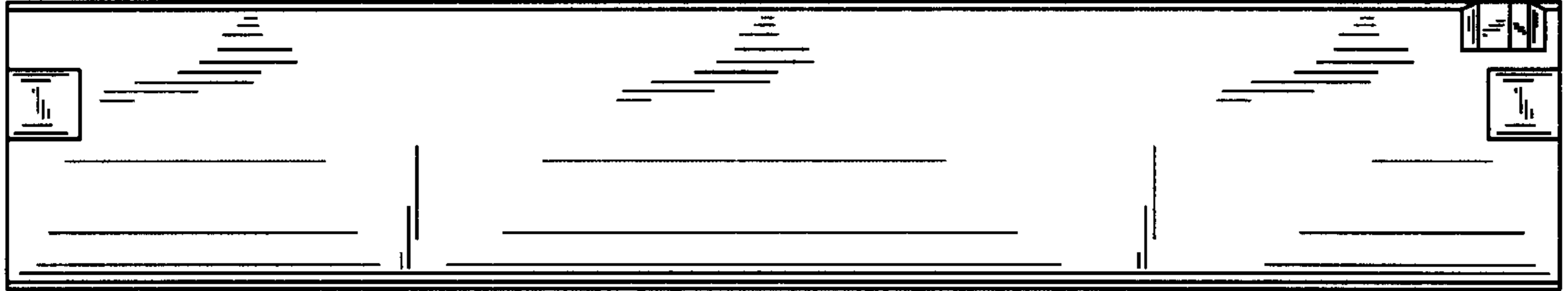


Fig. 6

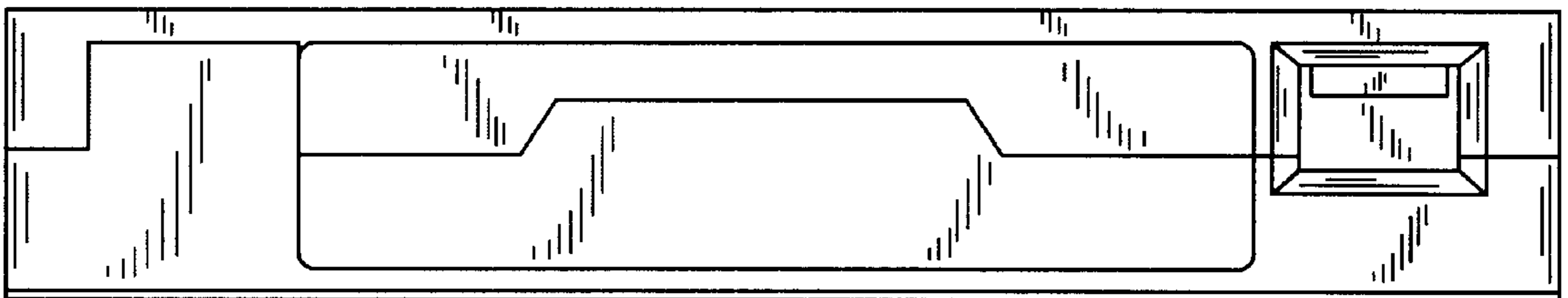


Fig. 7