



US00D475056S

(12) **United States Design Patent**
Taniguchi et al.

(10) **Patent No.:** **US D475,056 S**
(45) **Date of Patent:** **** May 27, 2003**

(54) **IC CARD**

(75) Inventors: **Toshiyuki Taniguchi**, Tokyo (JP);
Kazuhiro Yamamoto, Naka-gun (JP);
Minoru Ohara, Ome (JP); **Takuya**
Takahashi, Tokyo (JP)

(73) Assignees: **Kabushiki Kaisha Toshiba**, Tokyo
(JP); **Fuji Photo Film Co., Ltd.**,
Minamiashigara (JP); **Olympus Optical**
Co., Ltd., Tokyo (JP)

(**) Term: **14 Years**

(21) Appl. No.: **29/165,822**

(22) Filed: **Aug. 19, 2002**

(30) **Foreign Application Priority Data**

Feb. 20, 2002 (JP) 2002-004178

(51) **LOC (7) Cl.** **14-02**

(52) **U.S. Cl.** **D14/436**

(58) **Field of Search** D14/432-438,
D14/478, 479, 480; 361/737, 686, 736,
752; 257/678, 679; 40/124.01; 283/75,
76, 901; 235/487, 495, 441-443, 375; 174/52.1;
439/135, 140, 76.1

(56) **References Cited**

U.S. PATENT DOCUMENTS

D369,157 S * 4/1996 Ohmori et al. D14/436
D387,747 S * 12/1997 Ishihara D14/436

D445,111 S * 7/2001 Okamoto et al. D14/436
D446,525 S * 8/2001 Okamoto et al. D14/436
2002/0170972 A1 * 11/2002 Kim 235/487

FOREIGN PATENT DOCUMENTS

JP 1021090 9/1998
JP 1110756 6/2001

OTHER PUBLICATIONS

Extract of Hihon Kogyo Shimbun (newspaper) showing a
flash memory card, May 16, 2000, 1 page.

* cited by examiner

Primary Examiner—Kay H. Chin

(74) *Attorney, Agent, or Firm*—Oblon, Spivak, McClelland,
Maier & Neustadt, P.C.

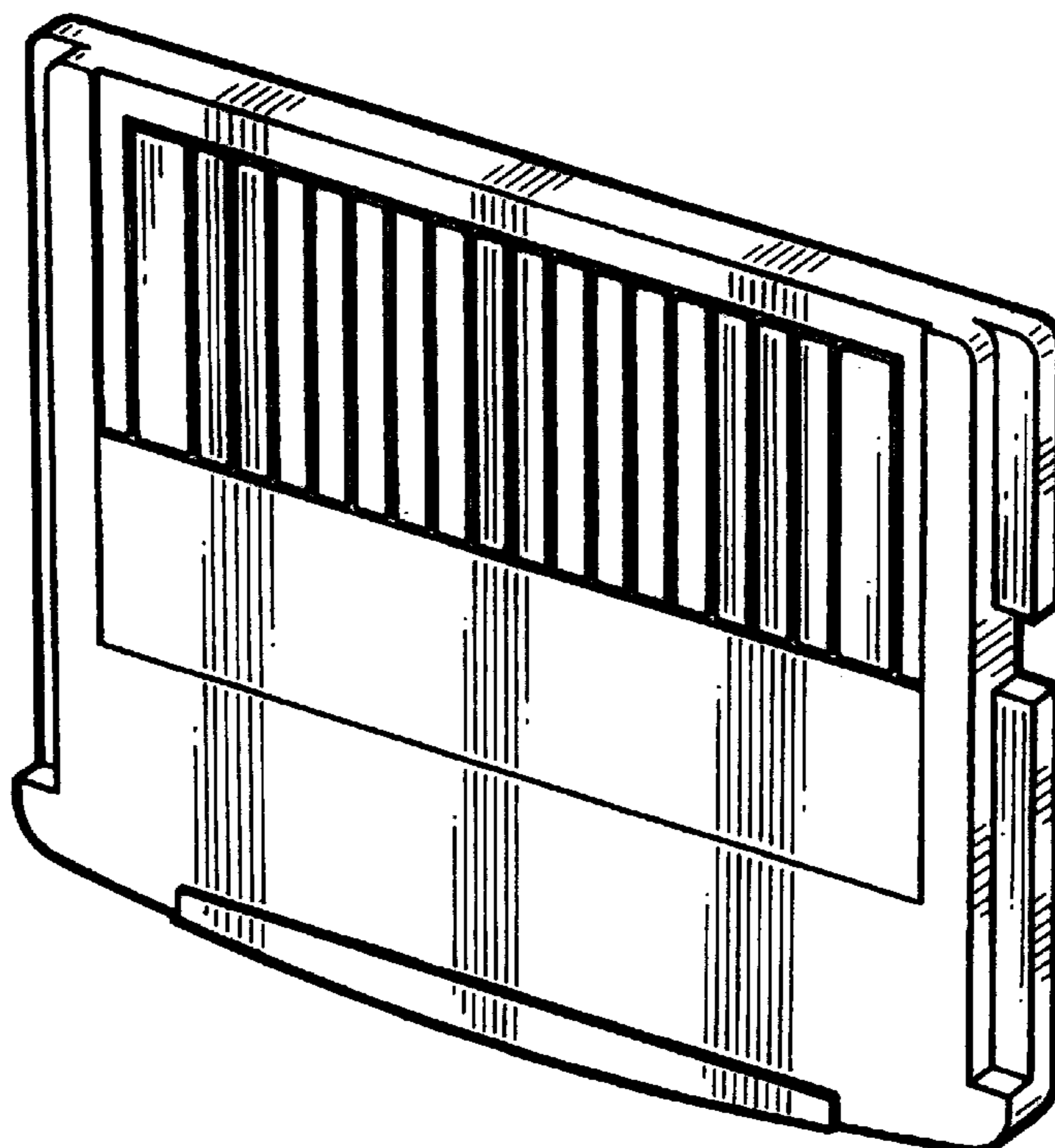
(57) **CLAIM**

The ornamental design for an IC card, as shown and
described.

DESCRIPTION

FIG. 1 is a front, top and right side perspective view of an
IC card, showing our new design;
FIG. 2 is a top plan view thereof;
FIG. 3 is a right side elevational view thereof;
FIG. 4 is a front elevational view thereof;
FIG. 5 is a rear elevational view thereof;
FIG. 6 is a left side elevational view thereof; and,
FIG. 7 is a bottom plan view thereof.

1 Claim, 2 Drawing Sheets



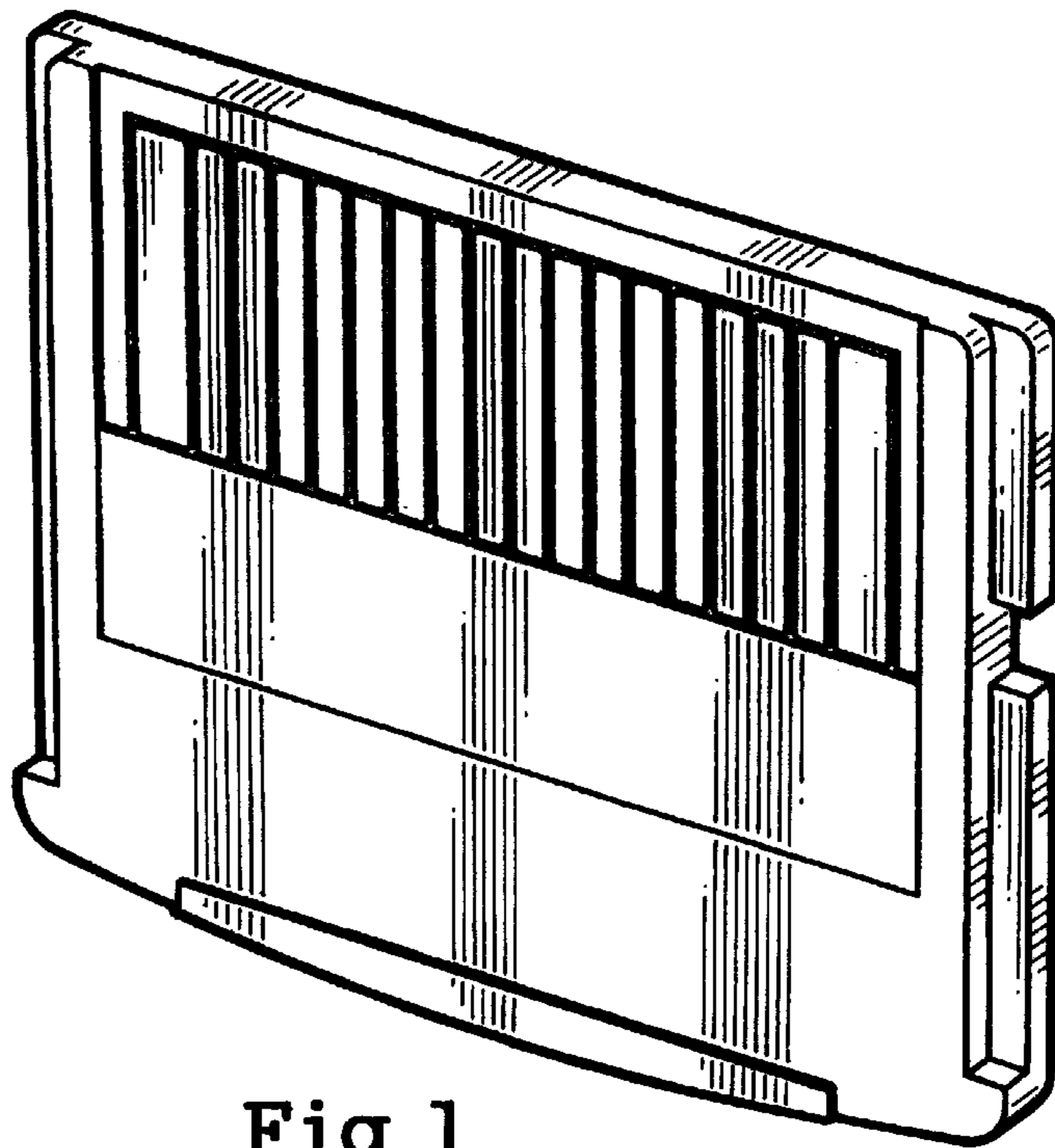


Fig.1



Fig.2

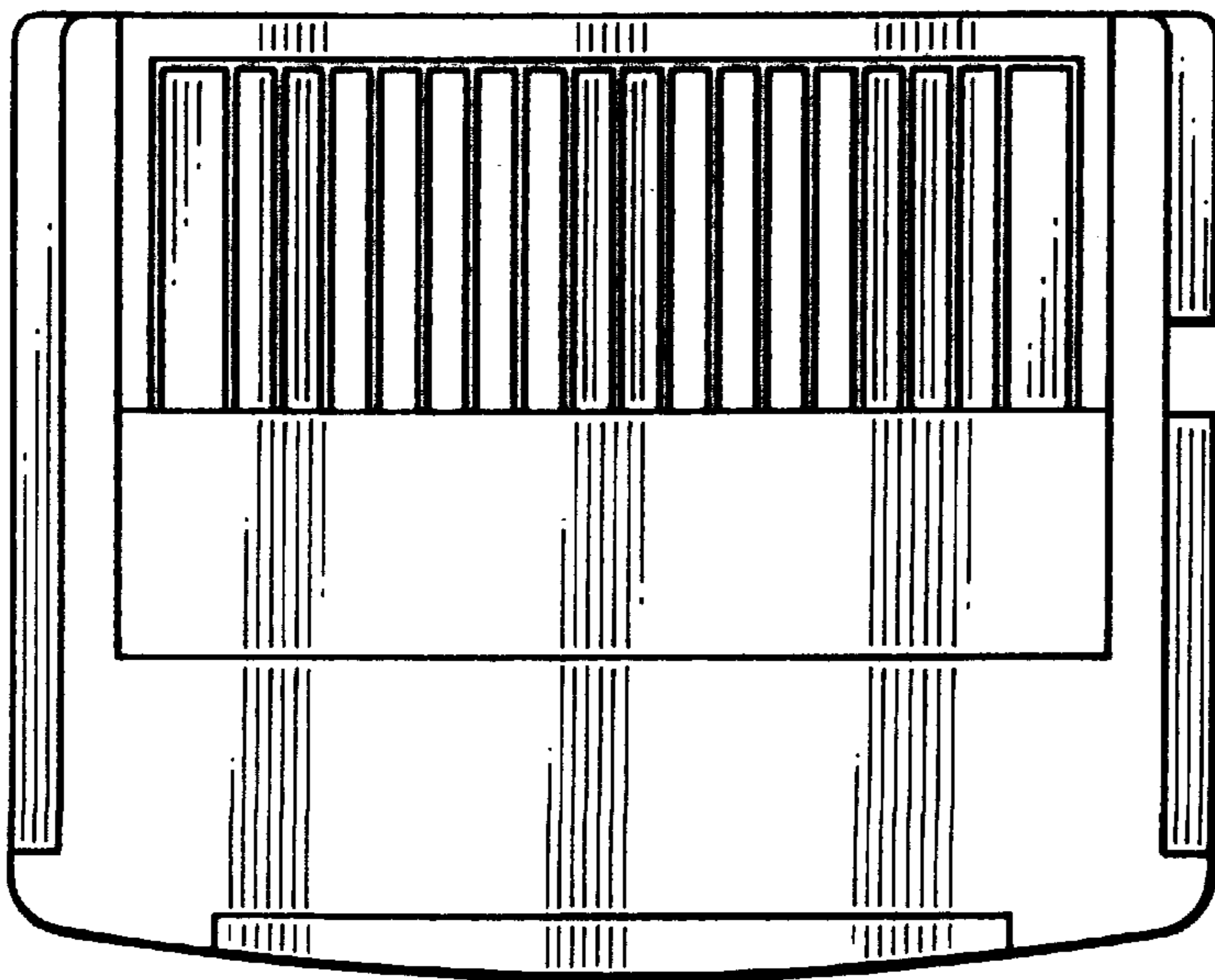


Fig.4



Fig.3



Fig.6

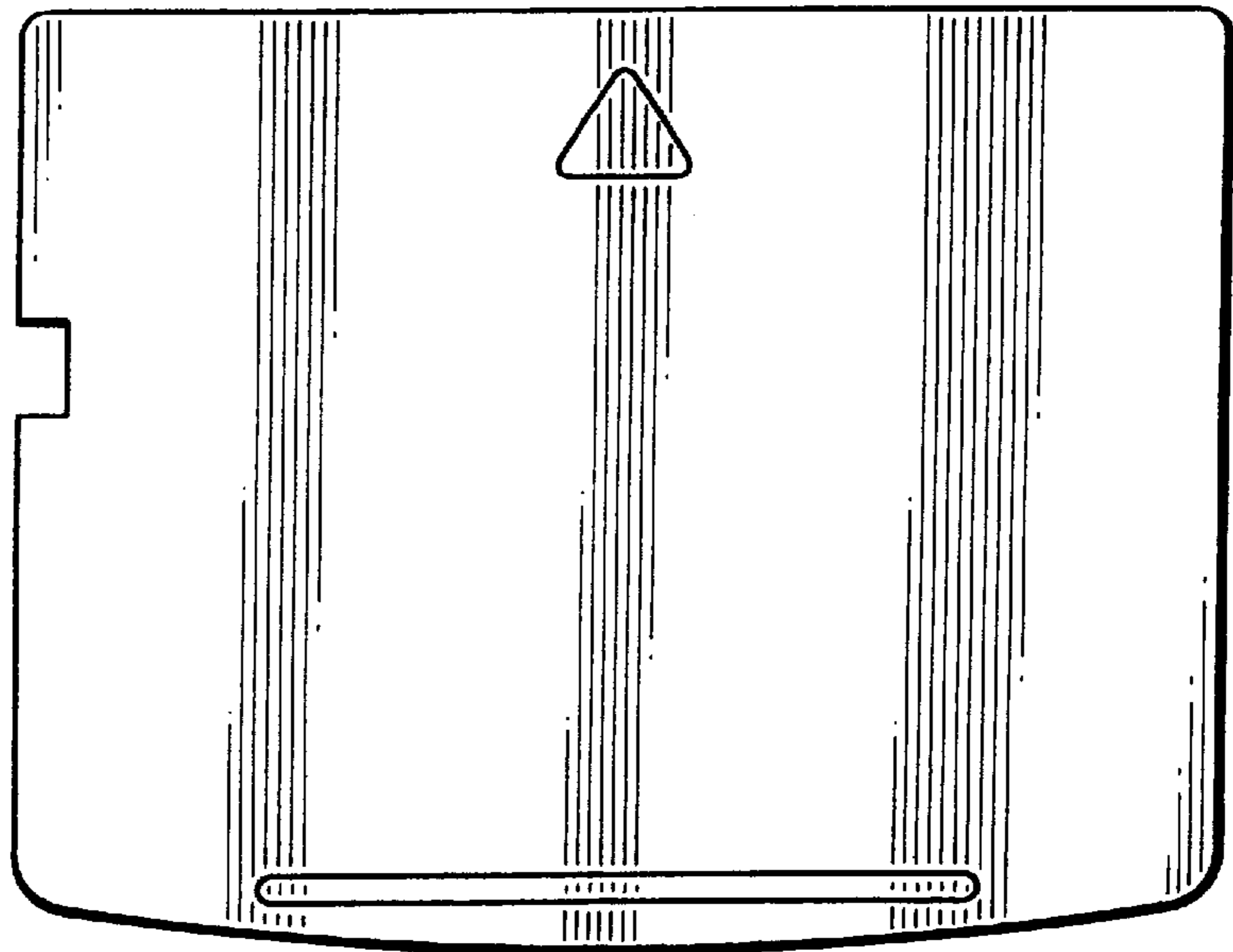


Fig.5



Fig.7