



US00D475055S

(12) **United States Design Patent**
Taniguchi et al.

(10) **Patent No.:** **US D475,055 S**
(45) **Date of Patent:** **** May 27, 2003**

(54) **PORTION OF AN IC CARD**

2002/0170972 A1 * 11/2002 Kim 235/487

(75) Inventors: **Toshiyuki Taniguchi**, Tokyo (JP);
Kazuhiro Yamamoto, Kanagawa-ken
(JP); **Minoru Ohara**, Ome (JP);
Takuya Takahashi, Tokyo (JP)

FOREIGN PATENT DOCUMENTS

JP 1021090 9/1998
JP 1110756 6/2001

(73) Assignees: **Kabushiki Kaisha Toshiba**, Tokyo
(JP); **Fuji Photo Film Co., Ltd.**,
Minamiashigara (JP); **Olympus Optical**
Co., Ltd., Tokyo (JP)

OTHER PUBLICATIONS

Extract of Hihon Kogyo Shimbun (newspaper) showing a
flash memory card, May 16, 2000, 1 page.

(**) Term: **14 Years**

* cited by examiner

(21) Appl. No.: **29/165,736**

Primary Examiner—Kay H. Chin
(74) *Attorney, Agent, or Firm*—Oblon, Spivak, McClelland,
Maier & Neustadt, P.C.

(22) Filed: **Aug. 16, 2002**

(57) **CLAIM**

(30) **Foreign Application Priority Data**

The ornamental design for a portion of an IC card, as shown
and described.

Feb. 20, 2002 (JP) 2002-004183

(51) **LOC (7) Cl.** **14-02**

DESCRIPTION

(52) **U.S. Cl.** **D14/436**

(58) **Field of Search** D14/435-438,
D14/478-480; 361/737, 686, 736, 752;
257/678, 679; 40/124.1; 283/75, 76, 901;
235/487, 495, 441-443, 375; 174/52.1;
439/135, 140, 76.1

FIG. 1 is a front, top and right side perspective view of a
portion of an IC card, showing our new design;
FIG. 2 is a top plan view thereof;
FIG. 3 is a right side elevational view thereof;
FIG. 4 is a front elevational view thereof;
FIG. 5 is a rear elevational view thereof;
FIG. 6 is a left side elevational view thereof; and,
FIG. 7 is a bottom plan view thereof.

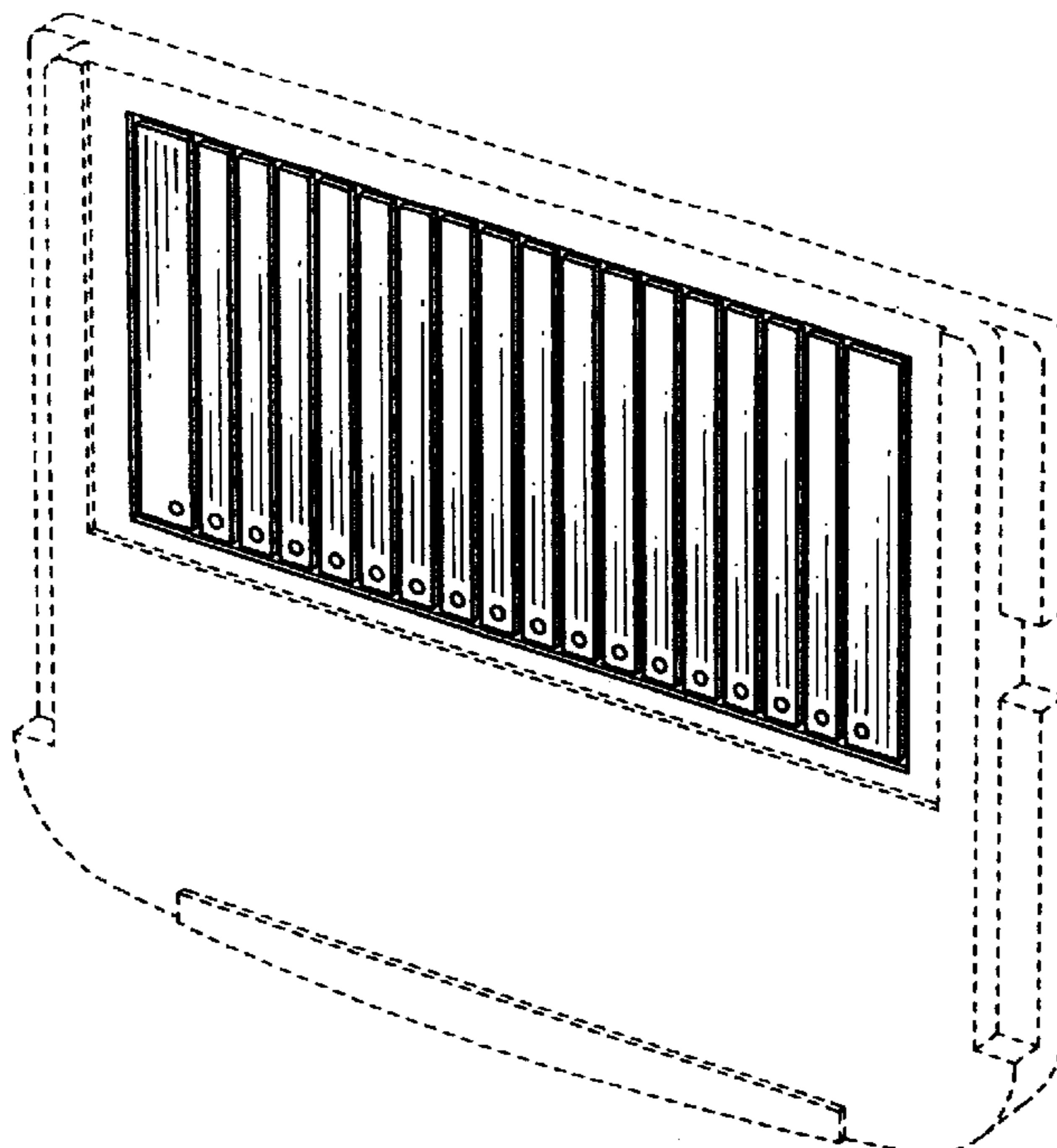
(56) **References Cited**

U.S. PATENT DOCUMENTS

D369,157 S * 4/1996 Ohmori et al. D14/436
D387,747 S * 12/1997 Ishihara D14/436
D445,111 S * 7/2001 Okamoto et al. D14/436
D446,525 S * 8/2001 Okamoto et al. D14/436

The broken line showing of the remaining parts of a portion
of an IC card is for illustrative purposes only and forms no
part of the claimed design.

1 Claim, 2 Drawing Sheets



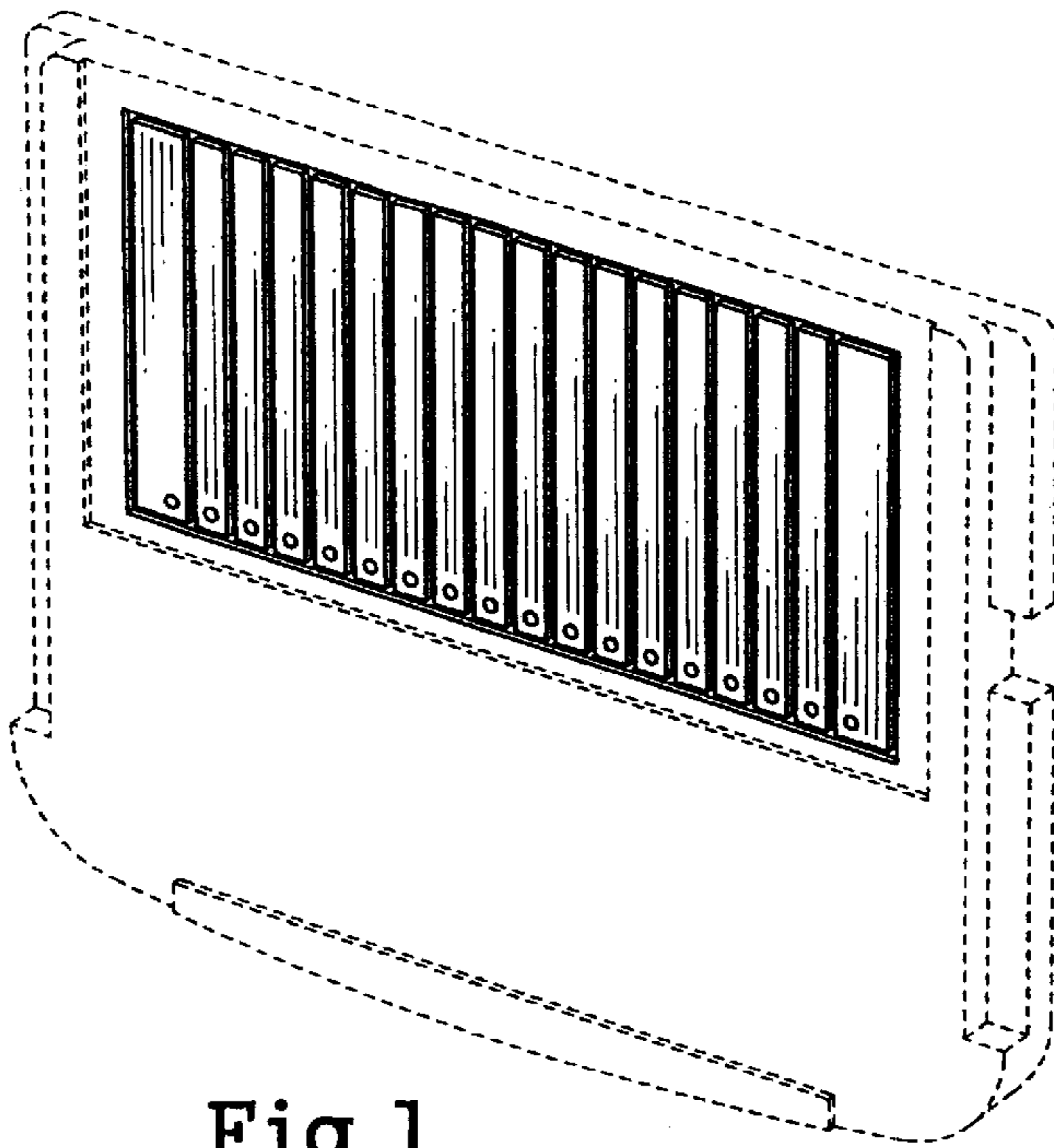


Fig.1

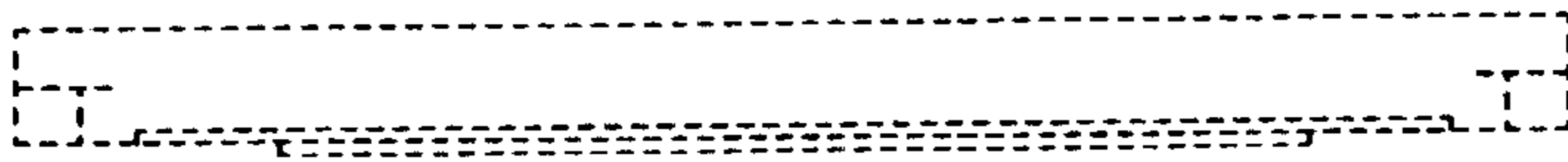


Fig.2

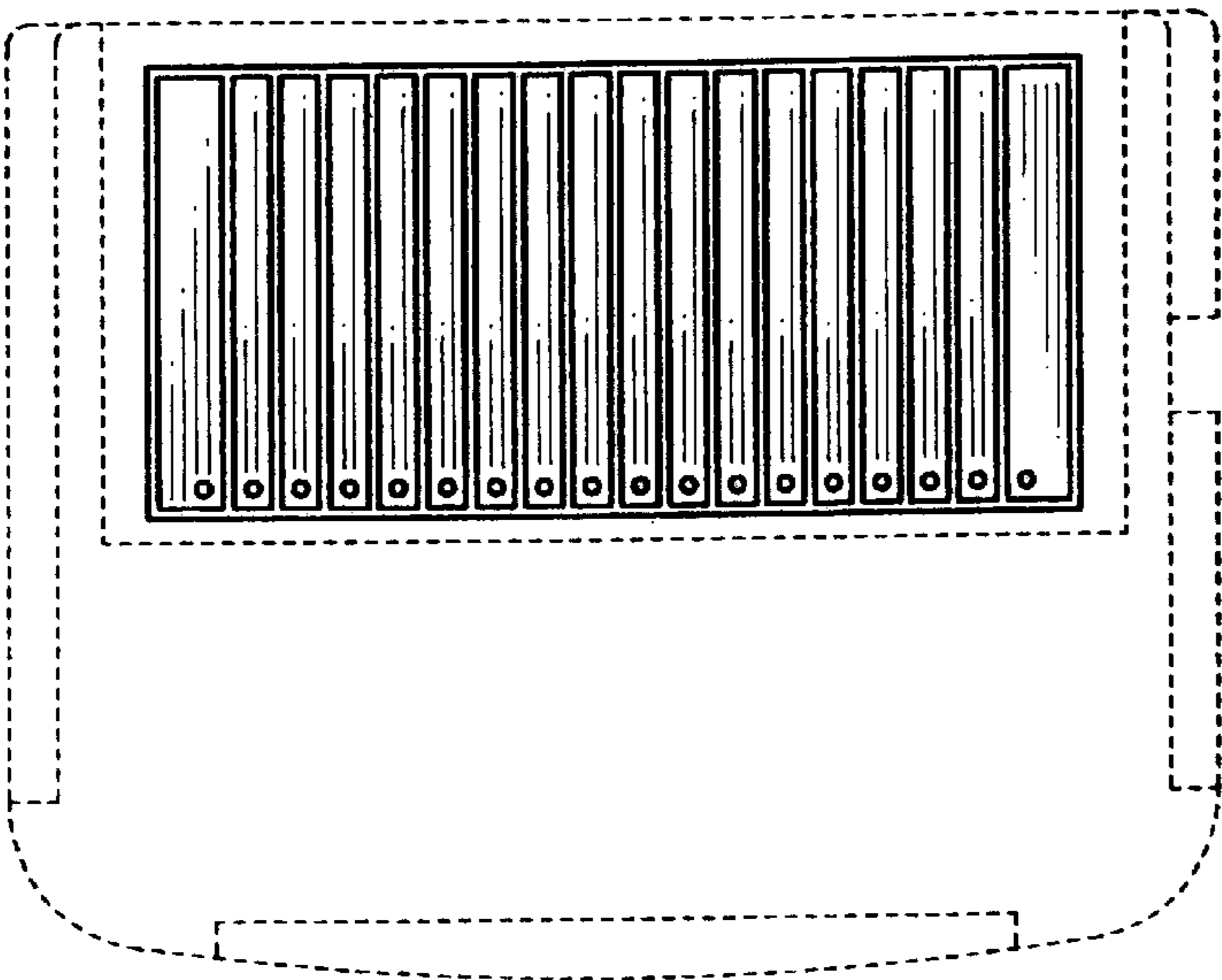


Fig.4



Fig.3



Fig. 6

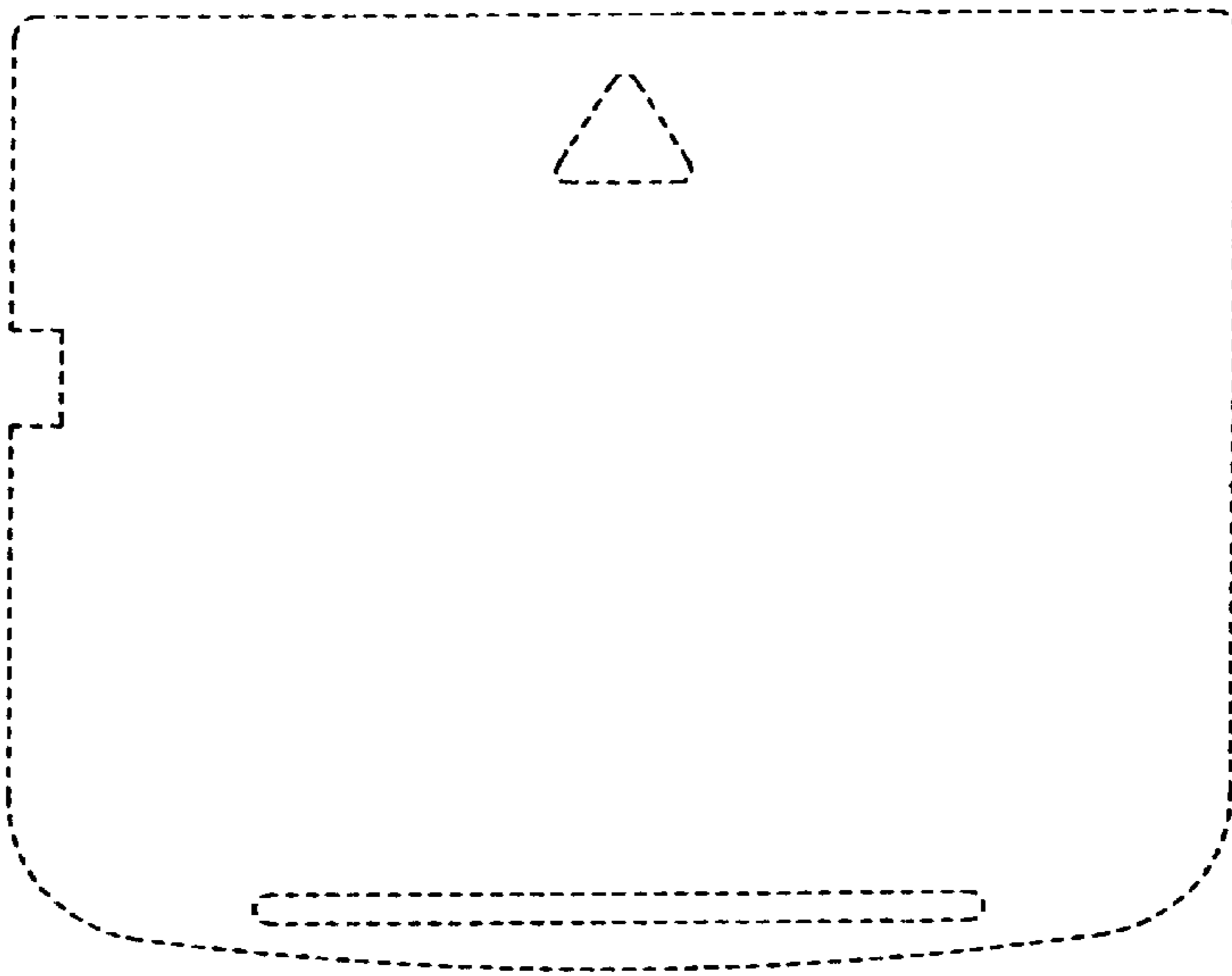


Fig. 5



Fig. 7