



US00D475054S

(12) **United States Design Patent** (10) **Patent No.:** **US D475,054 S**
Blackwood et al. (45) **Date of Patent:** **** May 27, 2003**

(54) **SYNCHRONIZATION CRADLE FOR A HANDHELD COMPUTER**

(75) Inventors: **Bradley Blackwood**, San Jose, CA (US); **Nicholas Denhez**, San Francisco, CA (US); **Daniel Philip Groebe**, Lake Zurich, IL (US); **Amy A. Han**, Palo Alto, CA (US); **Troy Hulick**, Saratoga, CA (US); **Andrea Johnson**, Los Altos, CA (US); **Lawrence Lam**, San Jose, CA (US); **Philip S. McClendon**, Cupertino, CA (US); **Steven Shiozaki**, Belmont, CA (US); **David Wang**, Sunnyvale, CA (US); **Sylvia Weiser**, San Jose, CA (US)

(73) Assignee: **Palm, Inc.**, Milpitas, CA (US)

(**) Term: **14 Years**

(21) Appl. No.: **29/142,733**

(22) Filed: **May 31, 2001**

(51) **LOC (7) Cl.** **14-02**

(52) **U.S. Cl.** **D14/434**

(58) **Field of Search** D14/432, 433, D14/434, 300, 356, 357, 439-447, 457; D13/184, 199; 361/679-687; 200/5 A, 5 R, 6 A, 6 R

(56) **References Cited**

U.S. PATENT DOCUMENTS

D331,400 S	12/1992	Kelly et al.	D14/115
D332,772 S	1/1993	Kelly et al.	D14/100
D373,121 S	8/1996	Deluliis et al.	D14/114
D373,576 S	9/1996	Liggett	D14/100
D384,080 S	9/1997	Beutler et al.	D14/253
D385,888 S	11/1997	Beutler et al.	D14/253
5,900,875 A	5/1999	Haitani et al.	345/349
D412,162 S	7/1999	Tal et al.	D14/114
D420,989 S	2/2000	Sandhu et al.	D14/114
D429,242 S	8/2000	Sun	D14/253
D429,487 S	8/2000	Loh et al.	D14/114

OTHER PUBLICATIONS

Palm, Inc.—Online Store: Palm™ HotSync® Cradle, Palm™ m100 HotSync® Cradle, Palm™ HotSync® Cradle

with Recharger printed from the web site: <https://store.palm.com/Catalog/productdetails.asp> on Aug. 27, 2001, 3 pps.

Handspring; Products: Cradles, Cables & Power: Visor Serial HotSync Cradle, Visor USB HotSync Cradle printed from the web site: <http://www.handspring.com/products> on Aug. 27, 2001, 1 pp.

Handspring; Products: Cradles, Cables & Power Visor Deluxe Platinum: Visor Serial HotSync Cradle printed from the web site: <http://www.handspring.com/products> on Aug. 27, 2001, 2 pps.

Handspring; Products: Cradles, Cables & Power Edge: USB HotSync Recharging Cradle for Visor Edge printed from the web site: <http://www.handspring.com/products> on Aug. 27, 2001, 2 pps.

Compaq.com—Home & Office Computing: Handheld Productivity printed from the web site: <http://athome.compaq.com/showroom/static/iPaq/handheld.asp> on Aug. 27, 2001, 1 pp.

HandEra: HandEra 330 expands your capabilities printed from the web site: <http://www.handera.com> on Aug. 27, 2001, 2 pps.

Installation and Getting Started Guide, Blackberry Enterprise Edition (Last revised Jan. 26, 2001), © 2001 Research in Motion Limited, 295 Phillip Street, Waterloo, Ontario, Canada N2L 3W8, pp. 24.

Primary Examiner—Kay H. Chin

(74) *Attorney, Agent, or Firm*—Foley & Lardner

(57) **CLAIM**

We claim the ornamental design for a synchronization cradle for a handheld computer, as shown and described.

DESCRIPTION

FIG. 1 is a perspective view of a synchronization cradle for a handheld computer showing our new design, the broken line disclosure is for illustrative purposes only and forms no part of the claimed design;

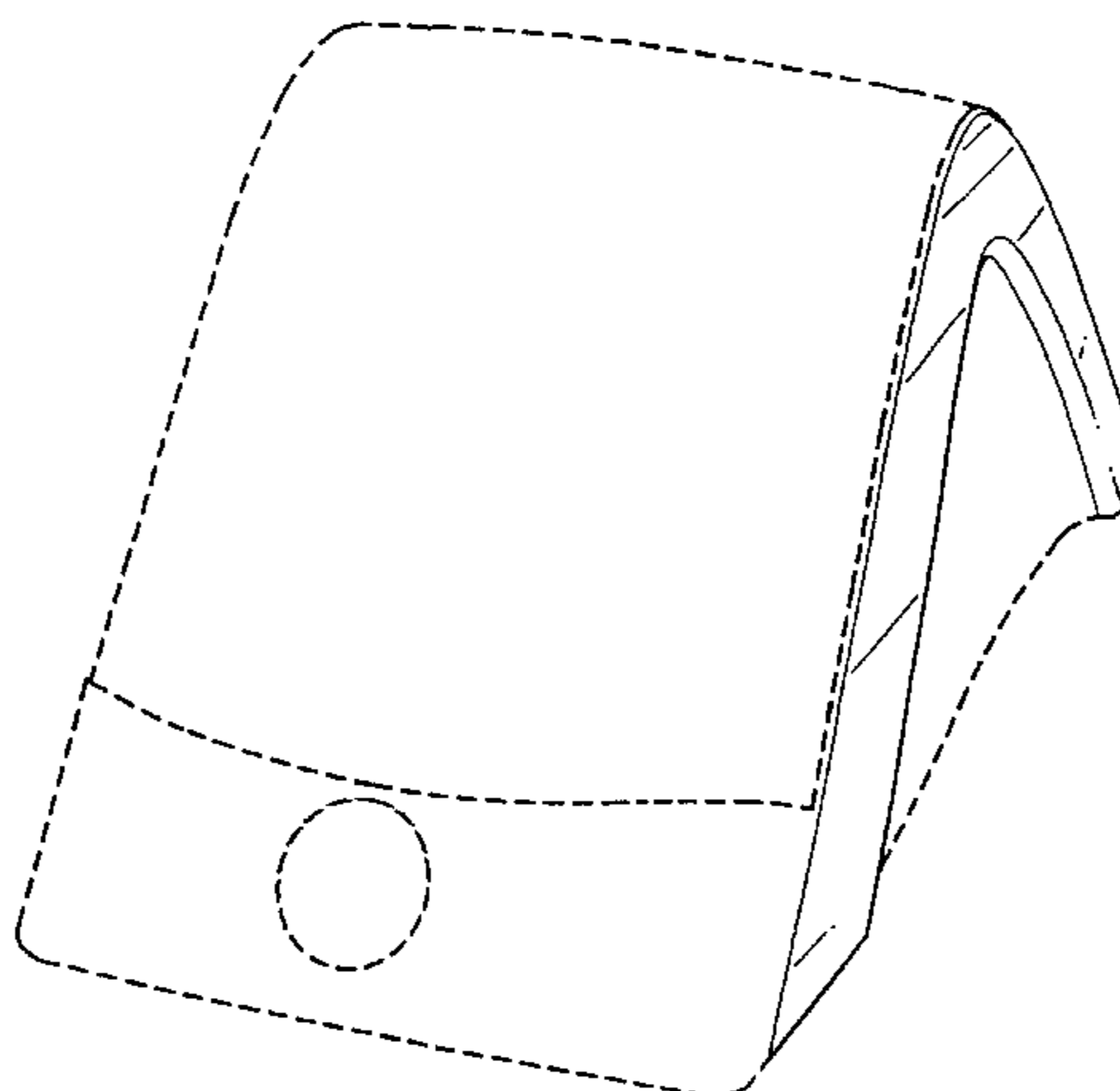
FIG. 2 is a right side elevation view thereof;

FIG. 3 is a front elevation view thereof;

FIG. 4 is a top plan view thereof; and,

FIG. 5 is a rear elevation view thereof.

1 Claim, 5 Drawing Sheets



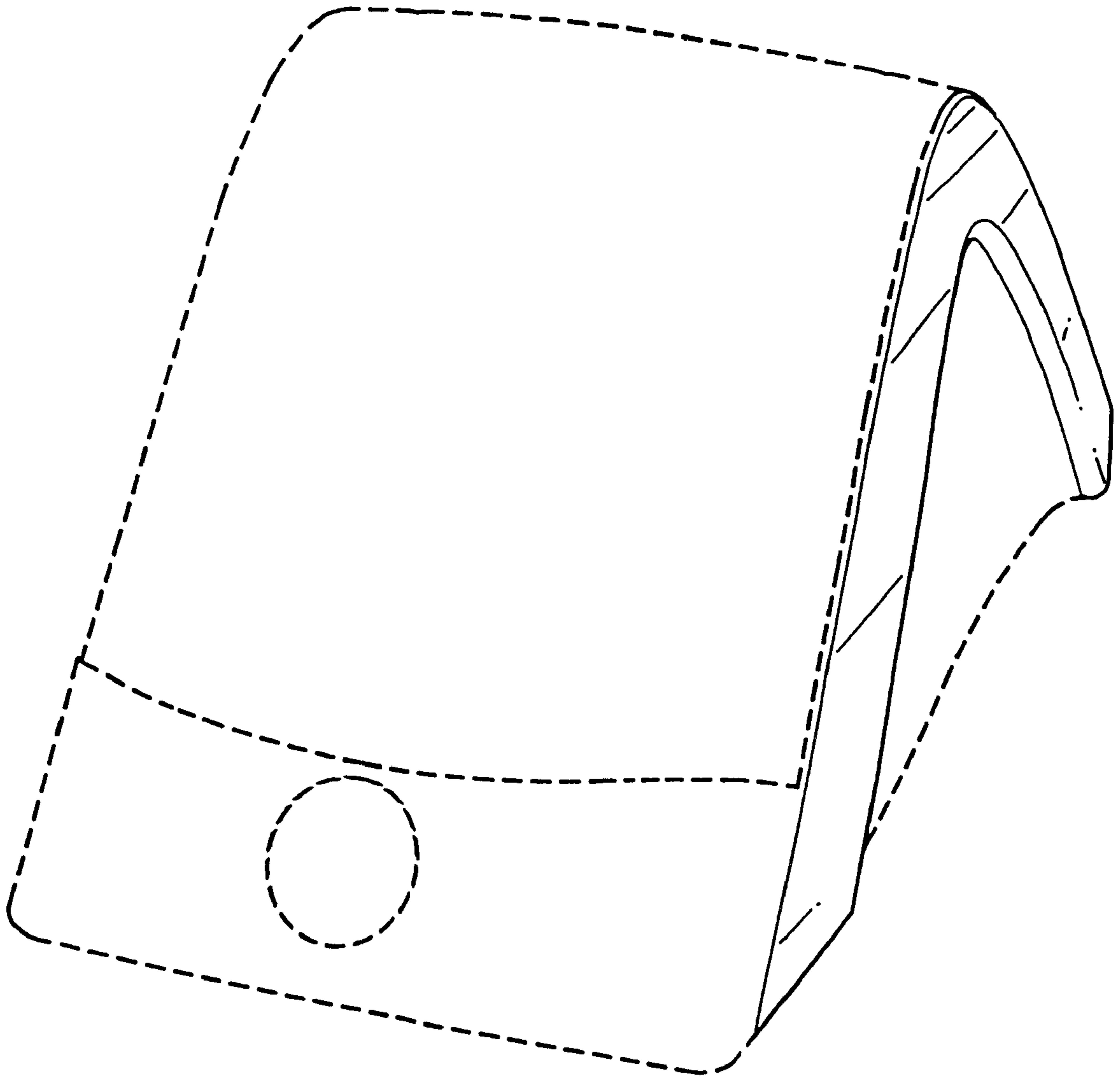


FIG. 1

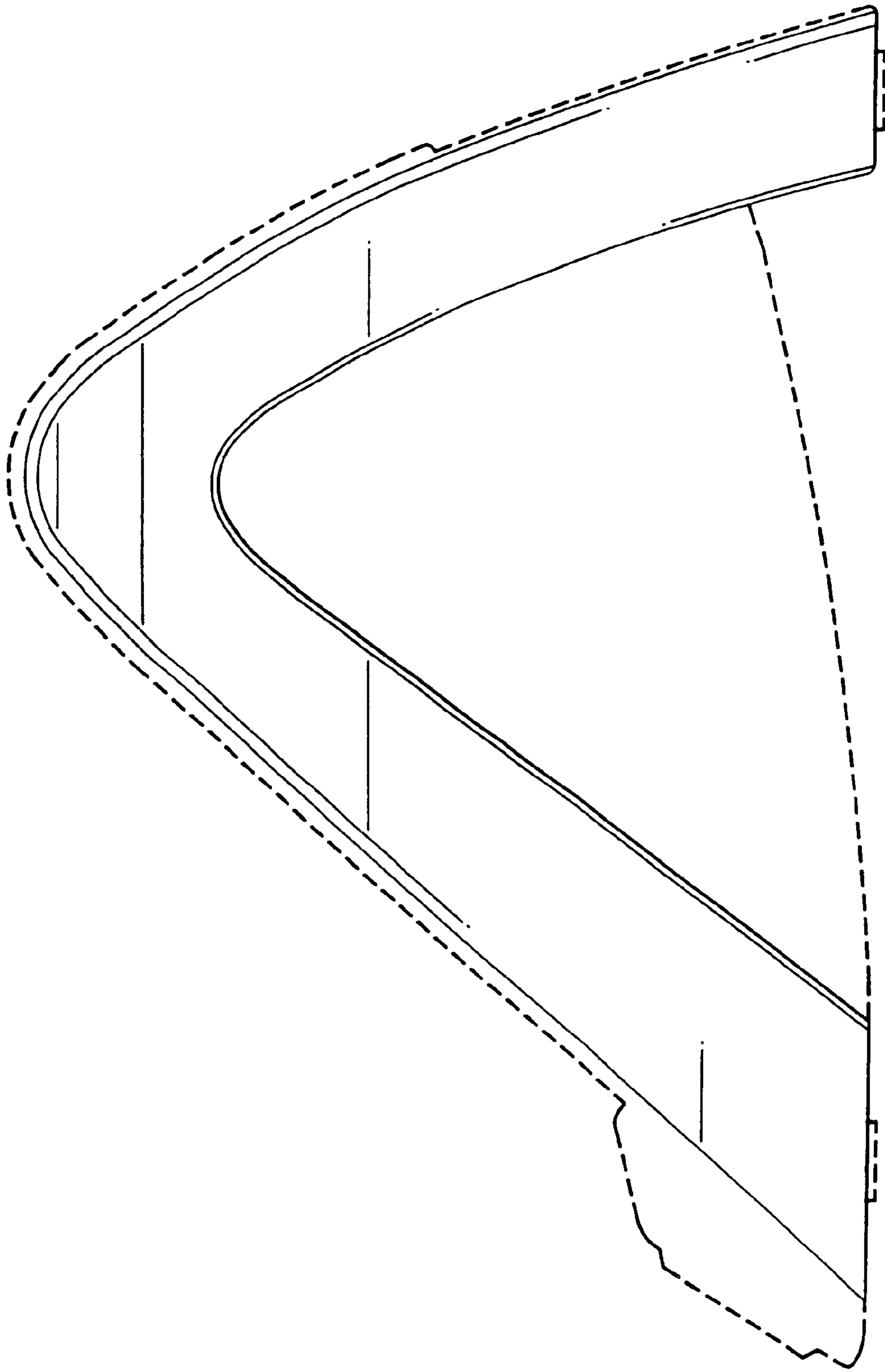


FIG. 2

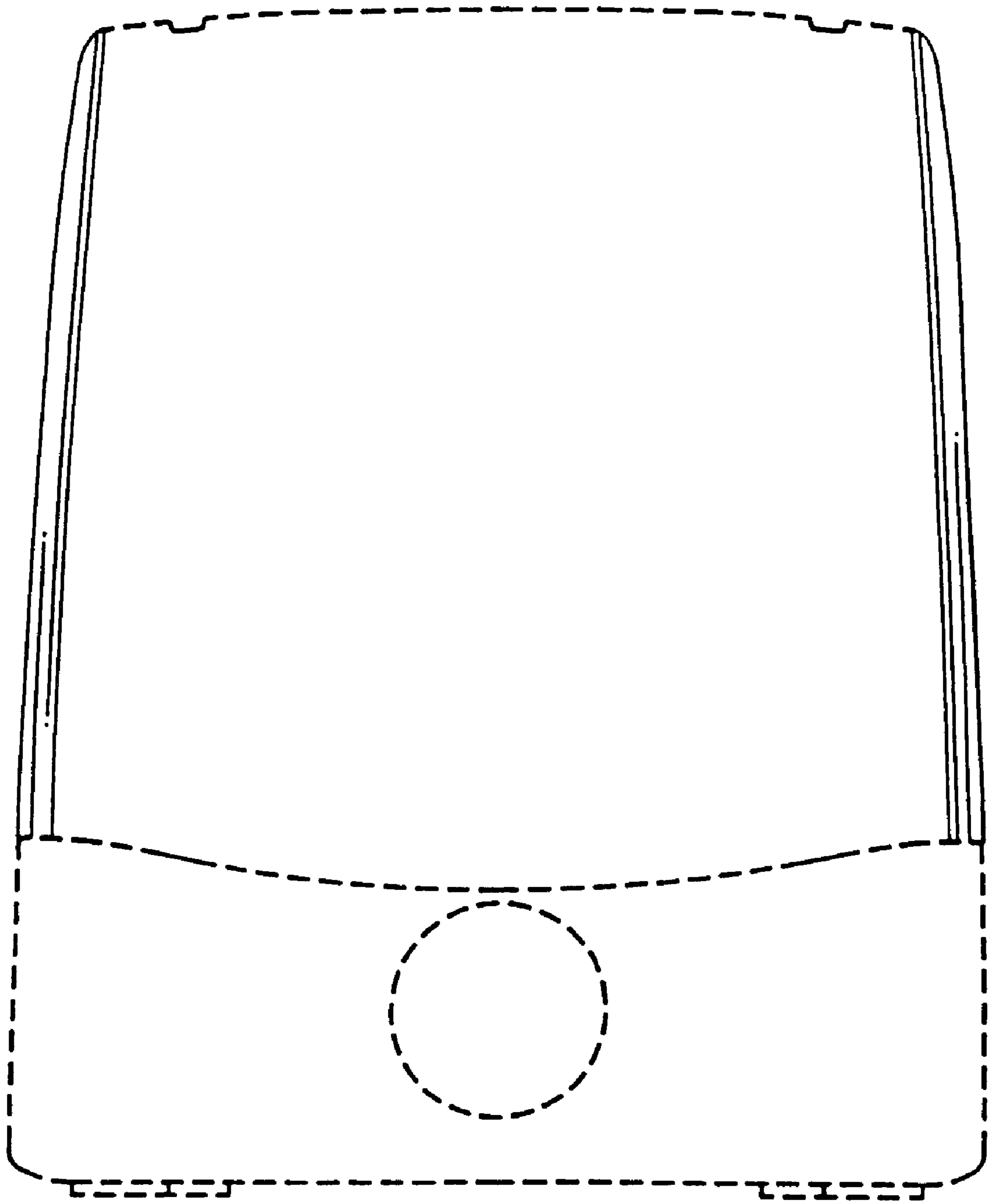


FIG. 3

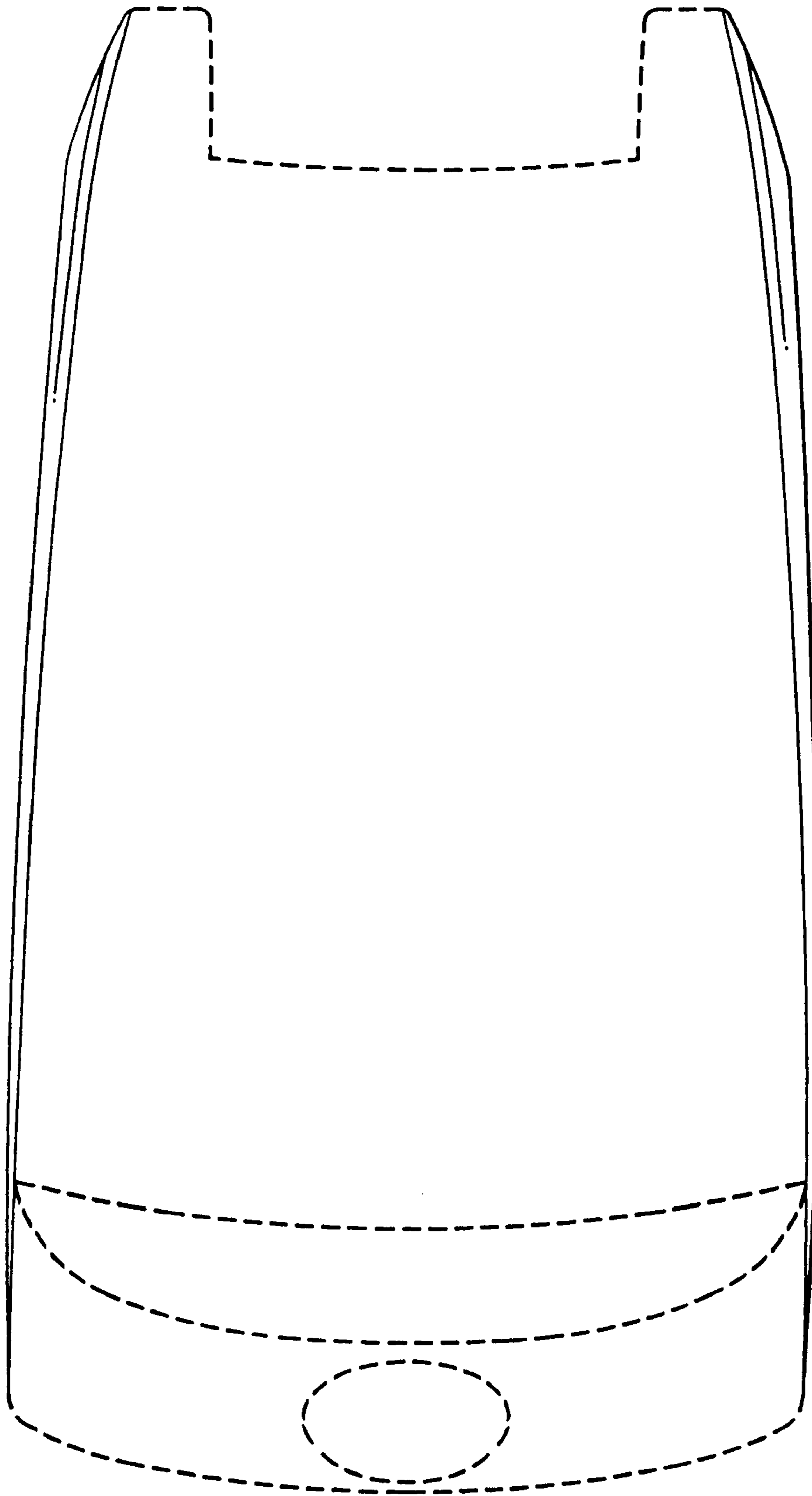


FIG. 4

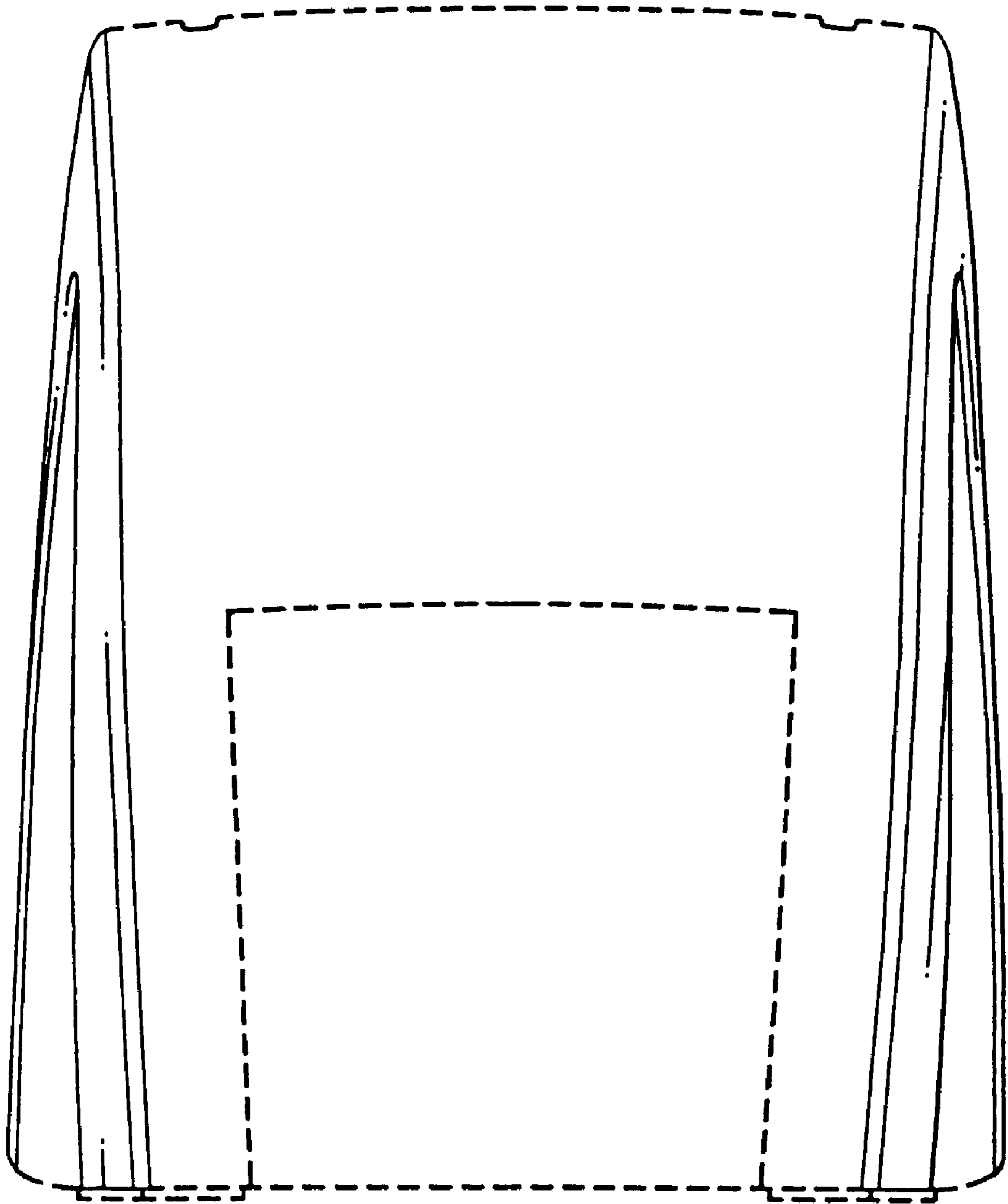


FIG. 5