



US00D475052S

(12) **United States Design Patent**
Chujou et al.

(10) **Patent No.:** **US D475,052 S**

(45) **Date of Patent:** **** May 27, 2003**

(54) **IMAGE READER FOR A COMPUTER**

(75) Inventors: **Takeshi Chujou**, Ishikawa (JP); **Kiichi Taniho**, Ishikawa (JP); **Satoshi Kuroda**, Ishikawa (JP); **Hidebumi Yamaguchi**, Yokohama (JP)

(73) Assignee: **PFU Limited**, Ishikawa (JP)

(**) Term: **14 Years**

(21) Appl. No.: **29/158,065**

(22) Filed: **Mar. 29, 2002**

(30) **Foreign Application Priority Data**

Oct. 1, 2001 (JP) 2001-028688

(51) **LOC (7) Cl.** **14-02**

(52) **U.S. Cl.** **D14/422; D18/54**

(58) **Field of Search** D14/422, 424, D14/425; D18/36, 37, 54; 235/462.14; 250/556; 355/64, 65, 75, 81; 358/497, 474, 400, 401, 1.14; 382/321

(56) **References Cited**

U.S. PATENT DOCUMENTS

D420,998 S * 2/2000 Leong et al. D14/422

D422,570 S * 4/2000 Kobayashi D14/422
D430,163 S * 8/2000 Gatto et al. D14/422
D453,159 S * 1/2002 Nakamura D14/422

* cited by examiner

Primary Examiner—Freda Nunn

(74) *Attorney, Agent, or Firm*—Arent Fox Kintner Plotkin & Kahn, PLLC

(57) **CLAIM**

The ornamental design for an image reader for a computer, as shown and described.

DESCRIPTION

FIG. 1 is a perspective view of an image reader for a computer showing our new design;
FIG. 2 is a perspective view of FIG. 1 with the stacker opened for convenience of illustration;
FIG. 3 is a front elevational view of FIG. 1;
FIG. 4 is a rear elevational view of FIG. 1;
FIG. 5 is a right side elevational view of FIG. 1;
FIG. 6 is a left side elevational view of FIG. 1;
FIG. 7 top plan view of FIG. 1; and,
FIG. 8 is a bottom plan view of FIG. 1.

1 Claim, 8 Drawing Sheets

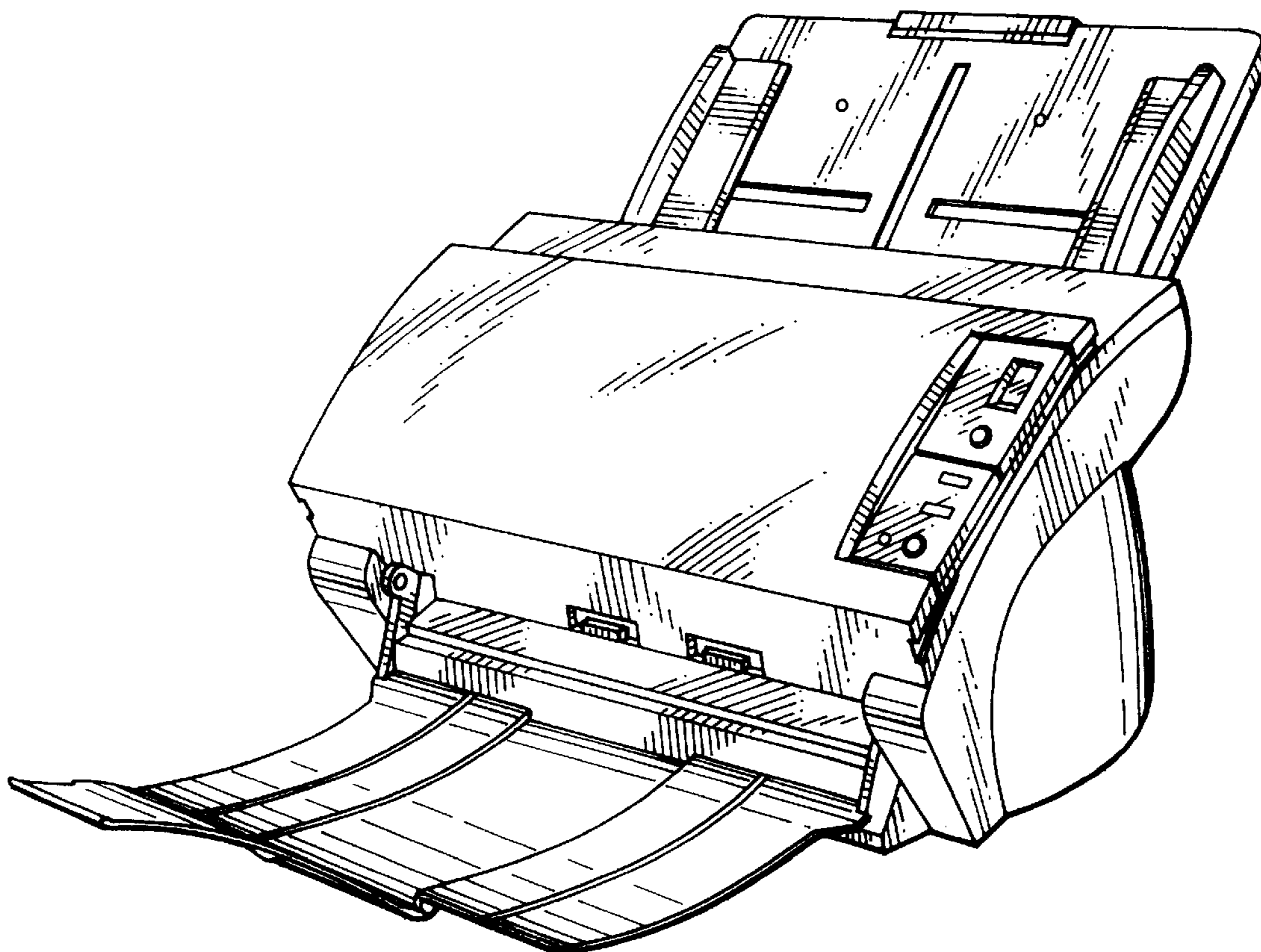


FIG. 1

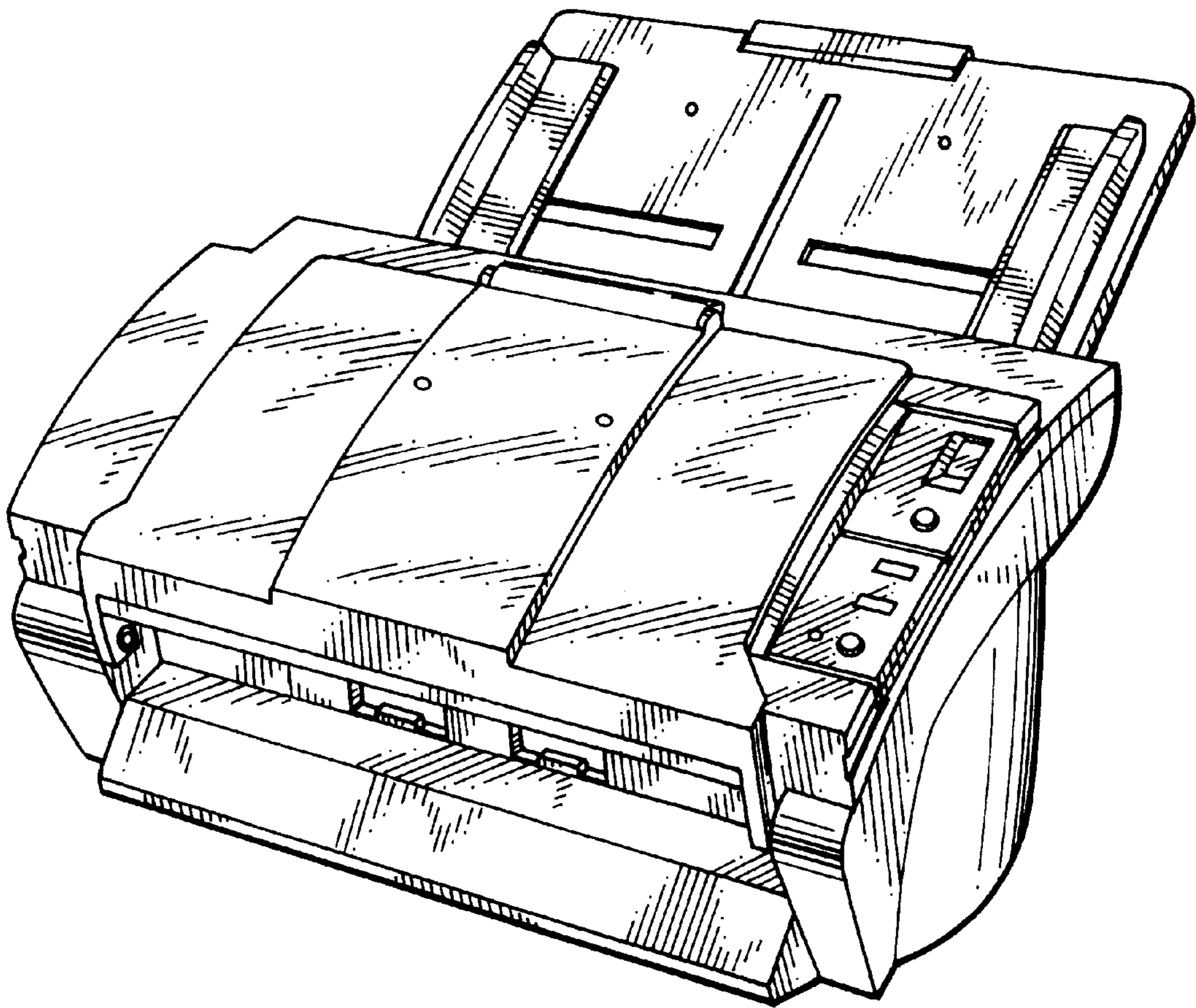


FIG. 2

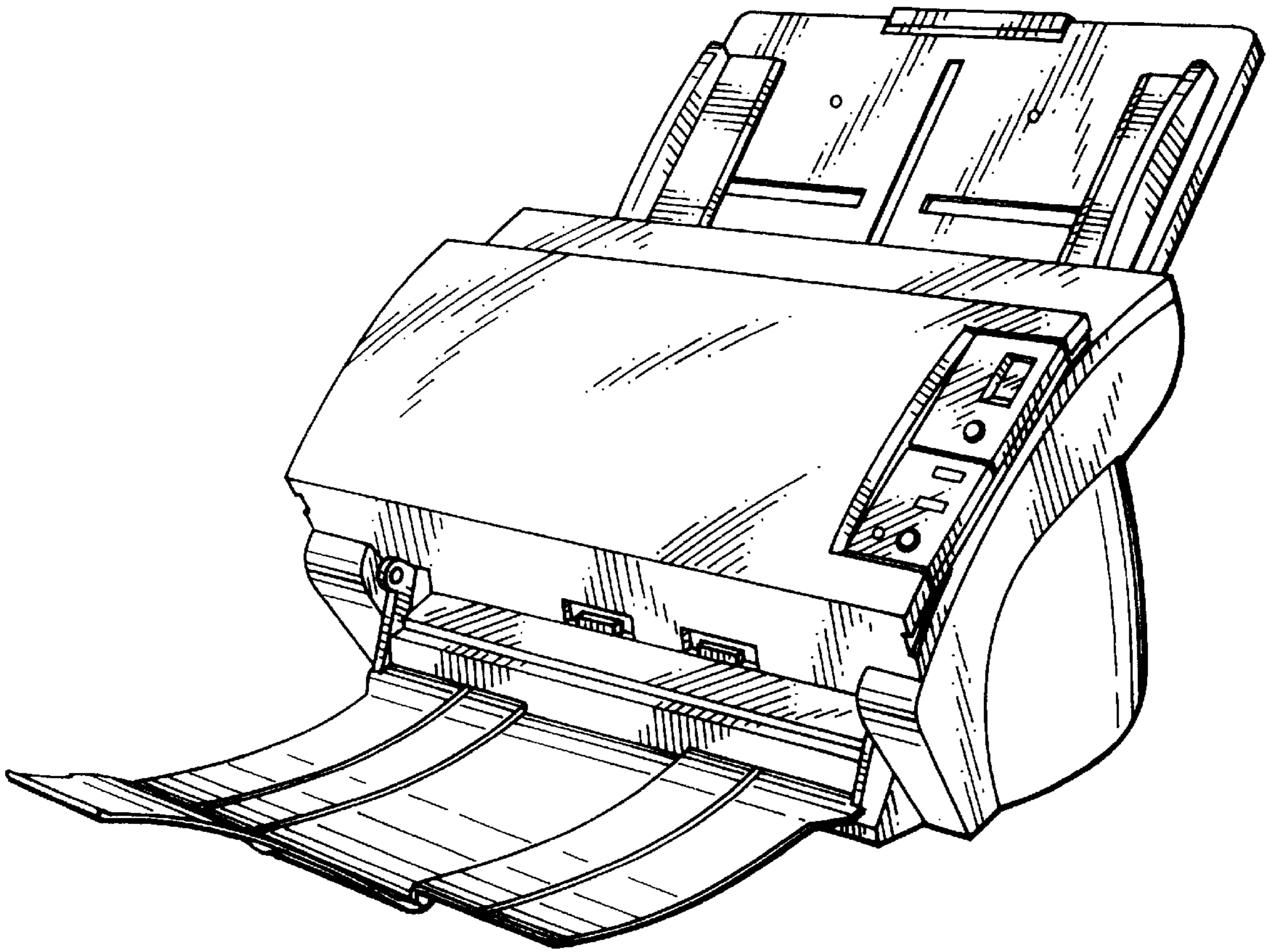


FIG. 3

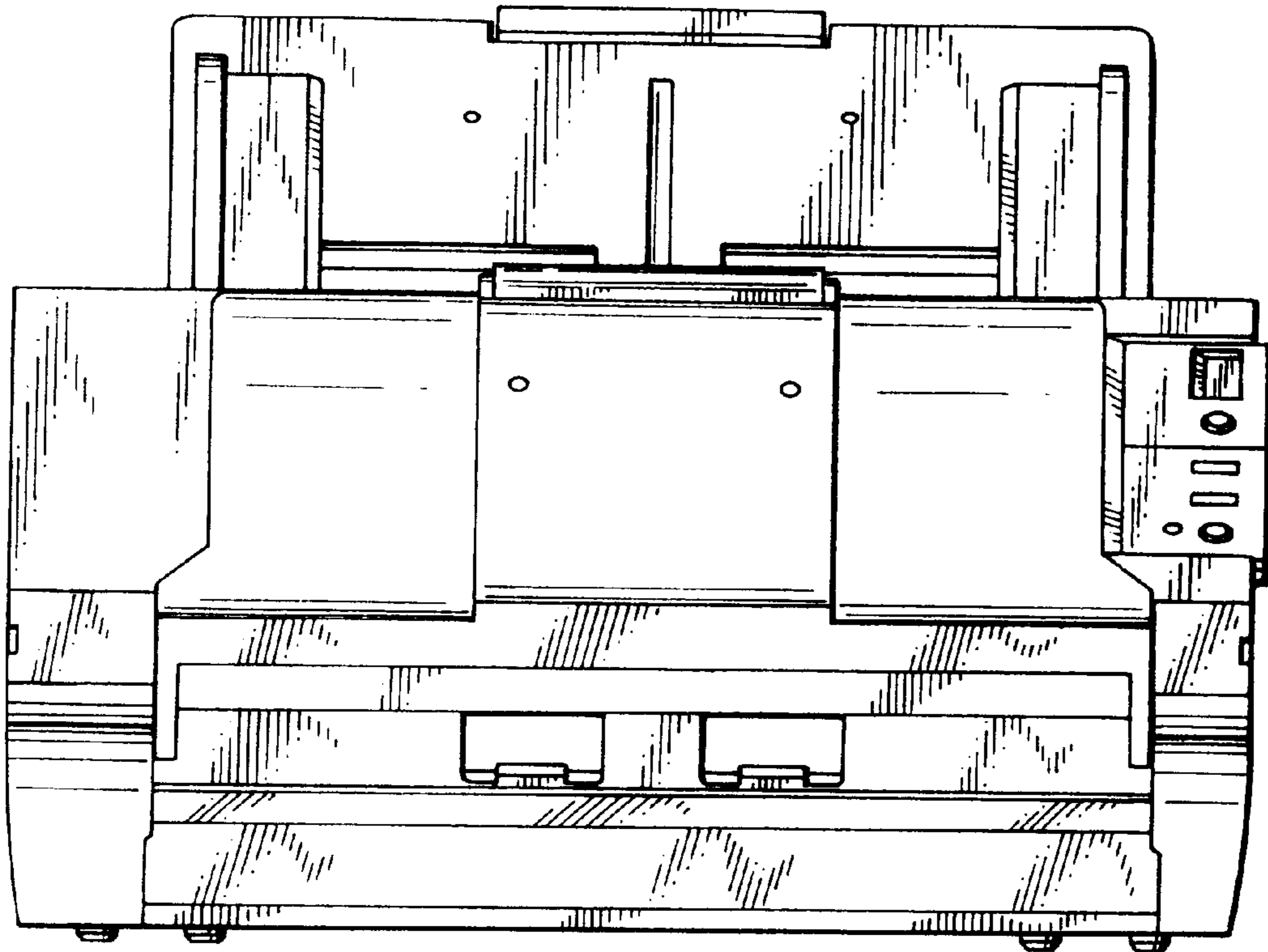


FIG. 4

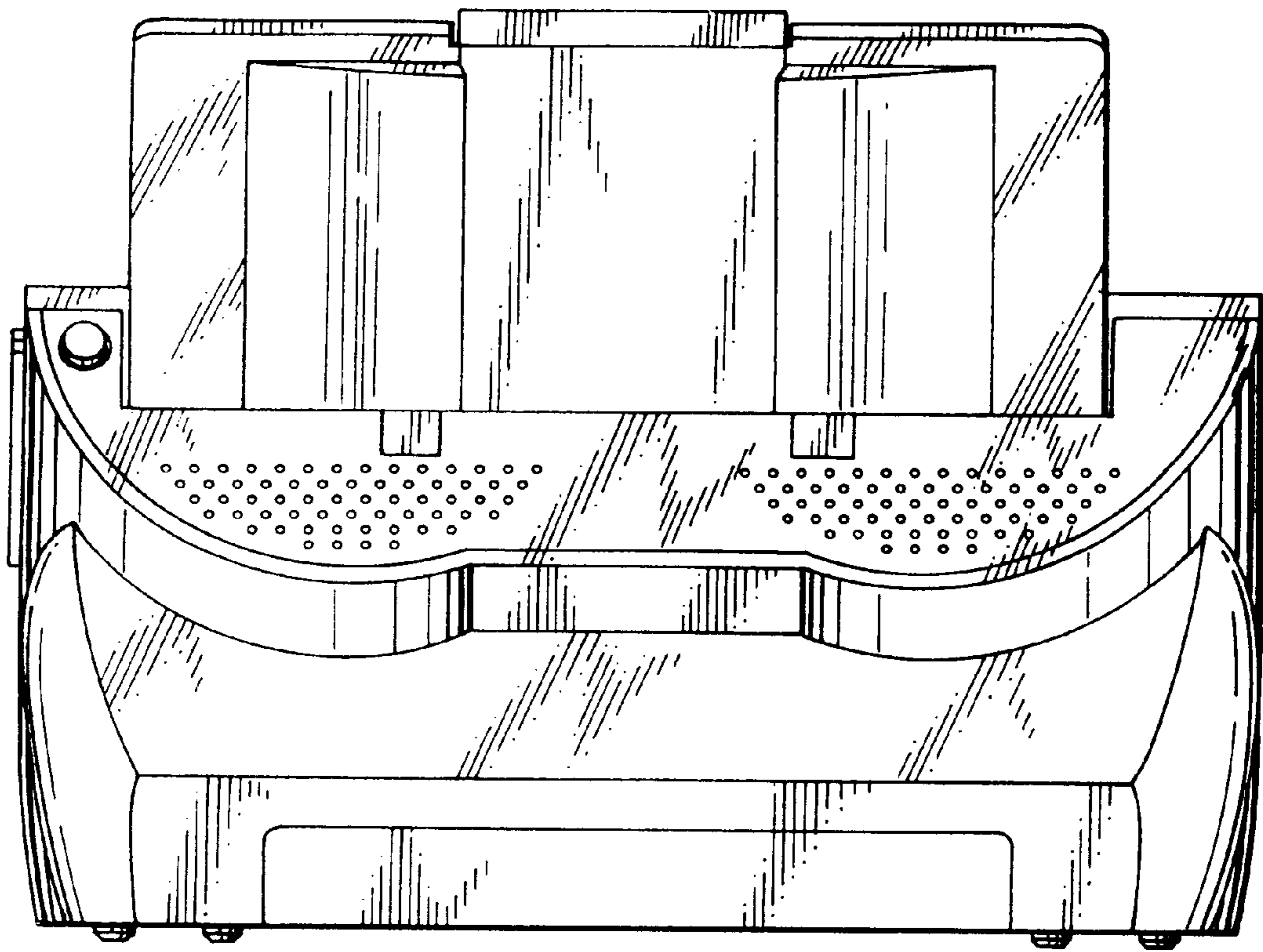


FIG. 5

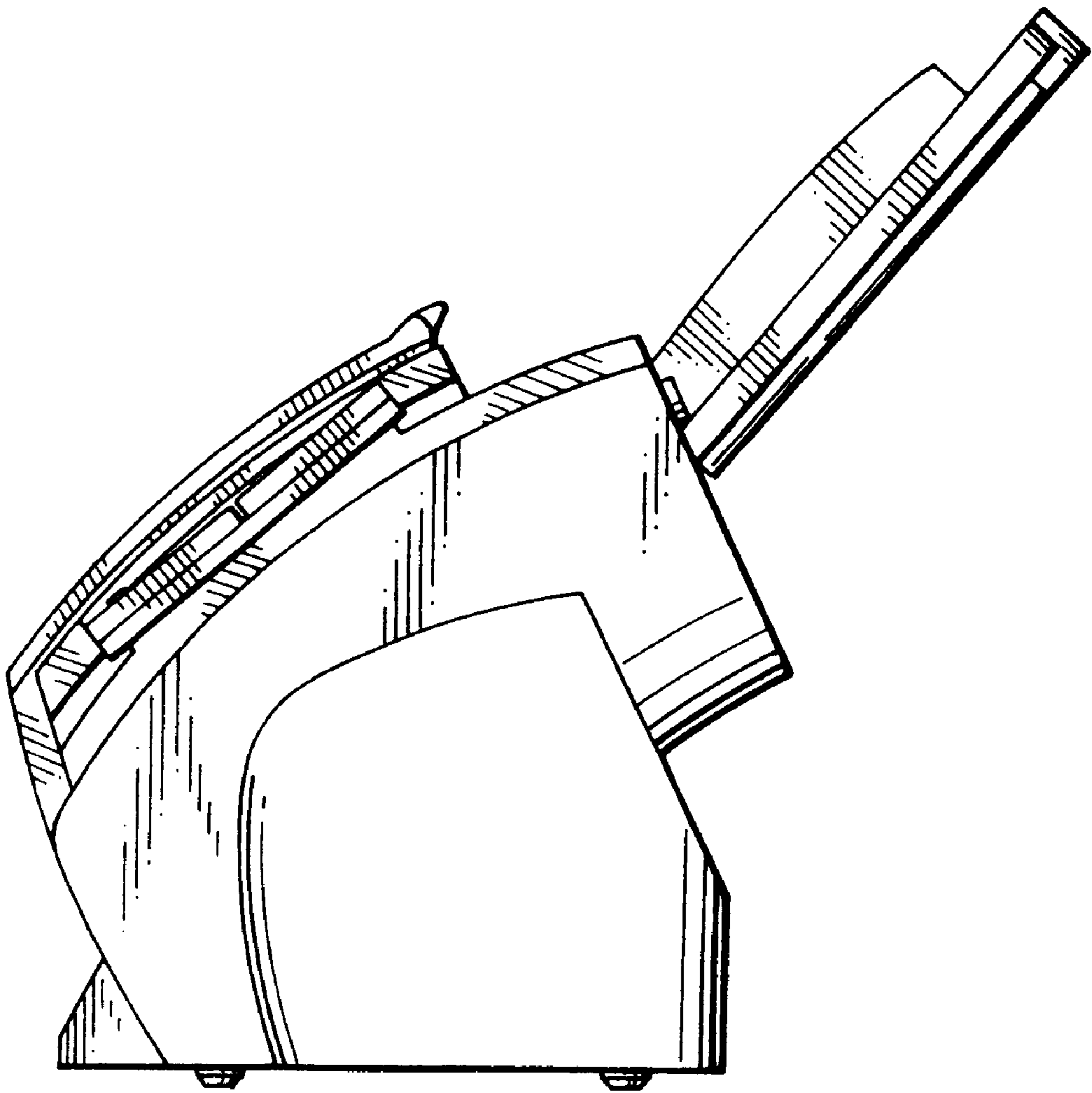


FIG. 6

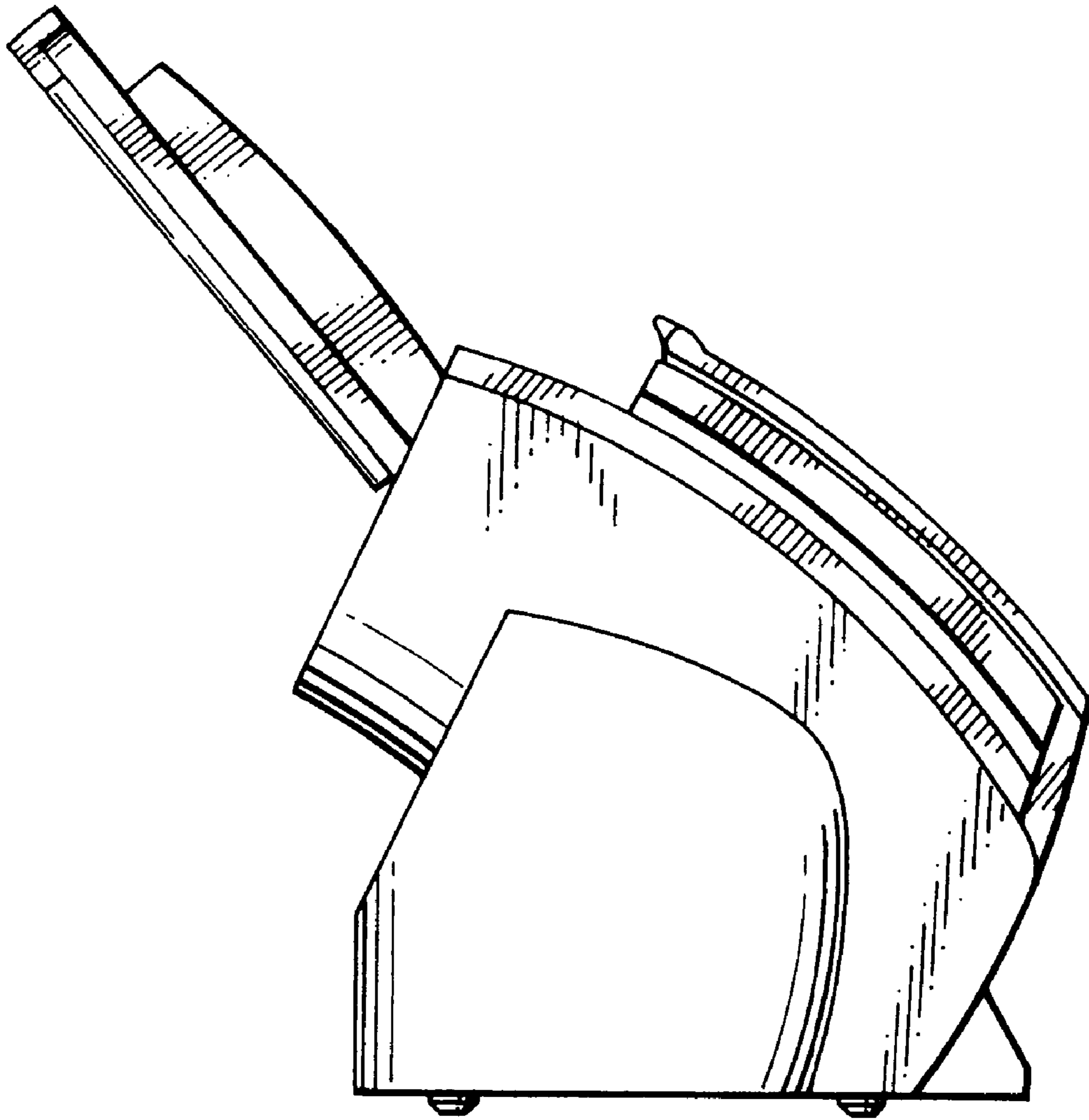


FIG. 7

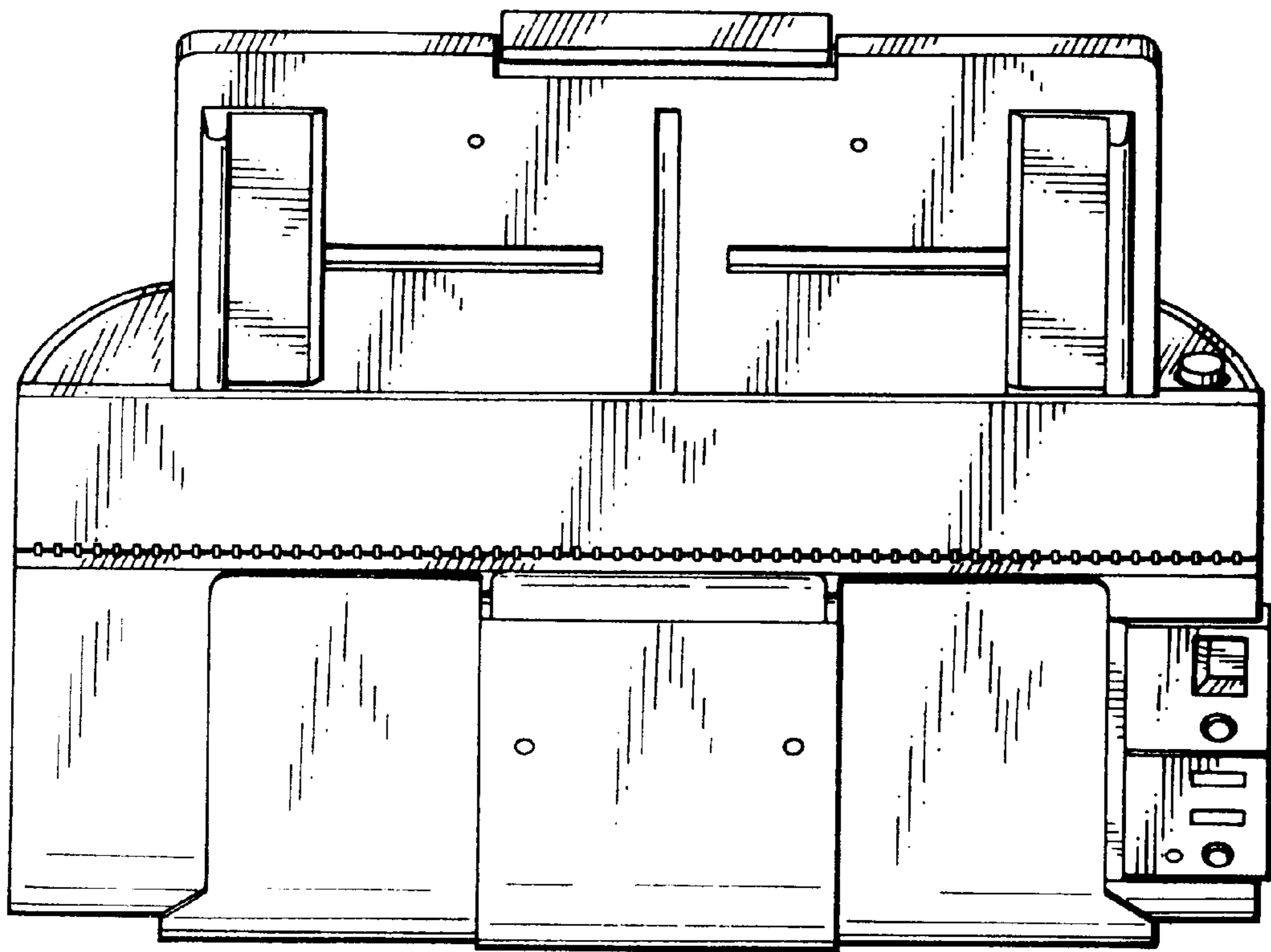


FIG. 8

