



US00D475040S

(12) **United States Design Patent**
LaPoint

(10) **Patent No.:** **US D475,040 S**

(45) **Date of Patent:** **** May 27, 2003**

(54) **BASE MICROPHONE**

OTHER PUBLICATIONS

(76) Inventor: **Shawn A. LaPoint**, 609 N. Adrian,
Lyons, OH (US) 43533

File wrapper contents for U.S. Trademark patent application
Ser. No. 75/939,789. Mar. 9, 2000.

(**) Term: **14 Years**

* cited by examiner

(21) Appl. No.: **29/163,456**

Primary Examiner—Paula A. Mortimer
(74) *Attorney, Agent, or Firm*—David C. Purdue; John C.
Purdue

(22) Filed: **Jul. 3, 2002**

(51) **LOC (7) Cl.** **14-01**

(57) **CLAIM**

(52) **U.S. Cl.** **D14/228**

The ornamental design for a base microphone, as shown.

(58) **Field of Search** D14/228, 206,
D14/223, 224, 225, 226, 227, 229, 299;
181/158, 242; 381/91, 122, 168, 169, 170;
D21/513

DESCRIPTION

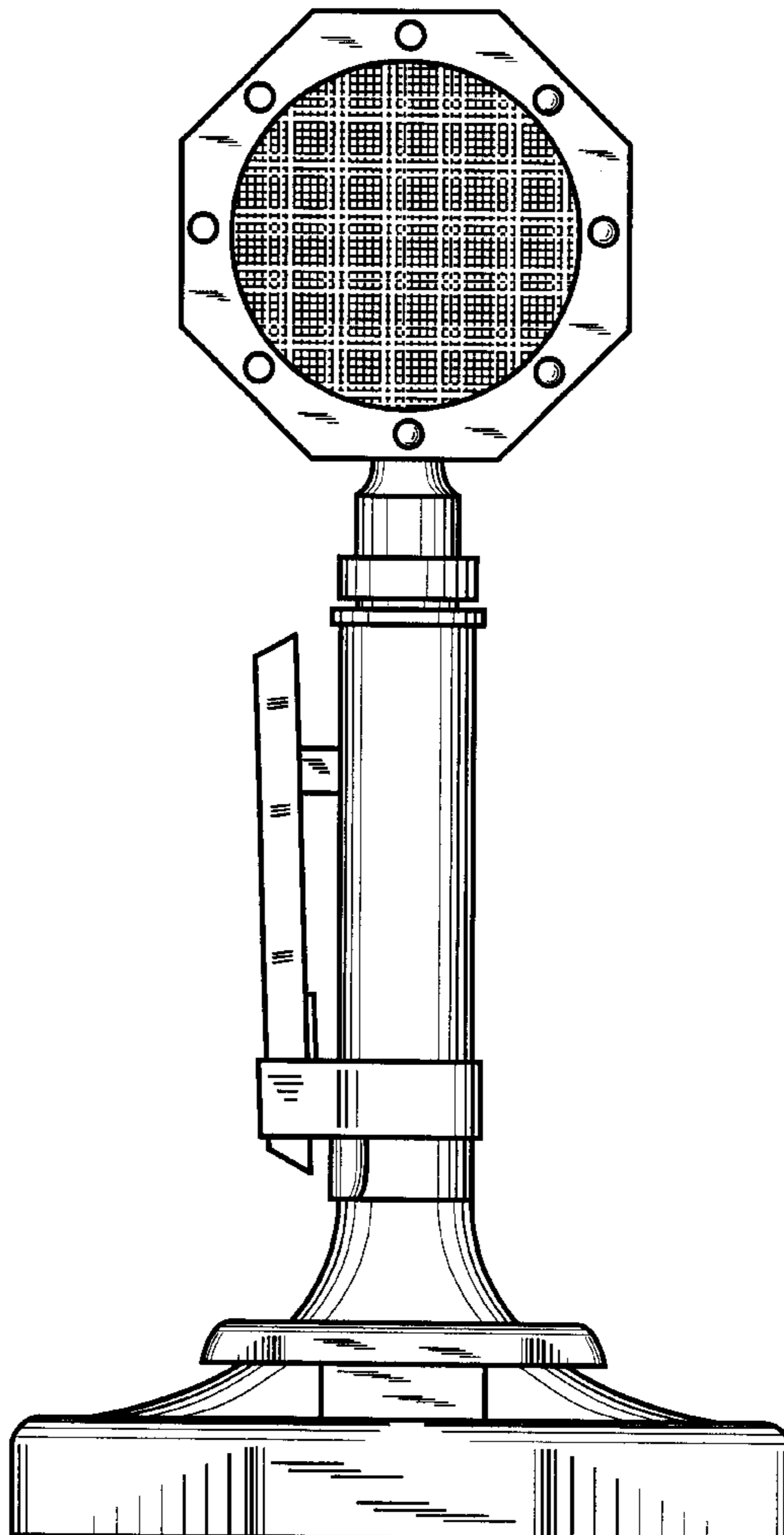
(56) **References Cited**

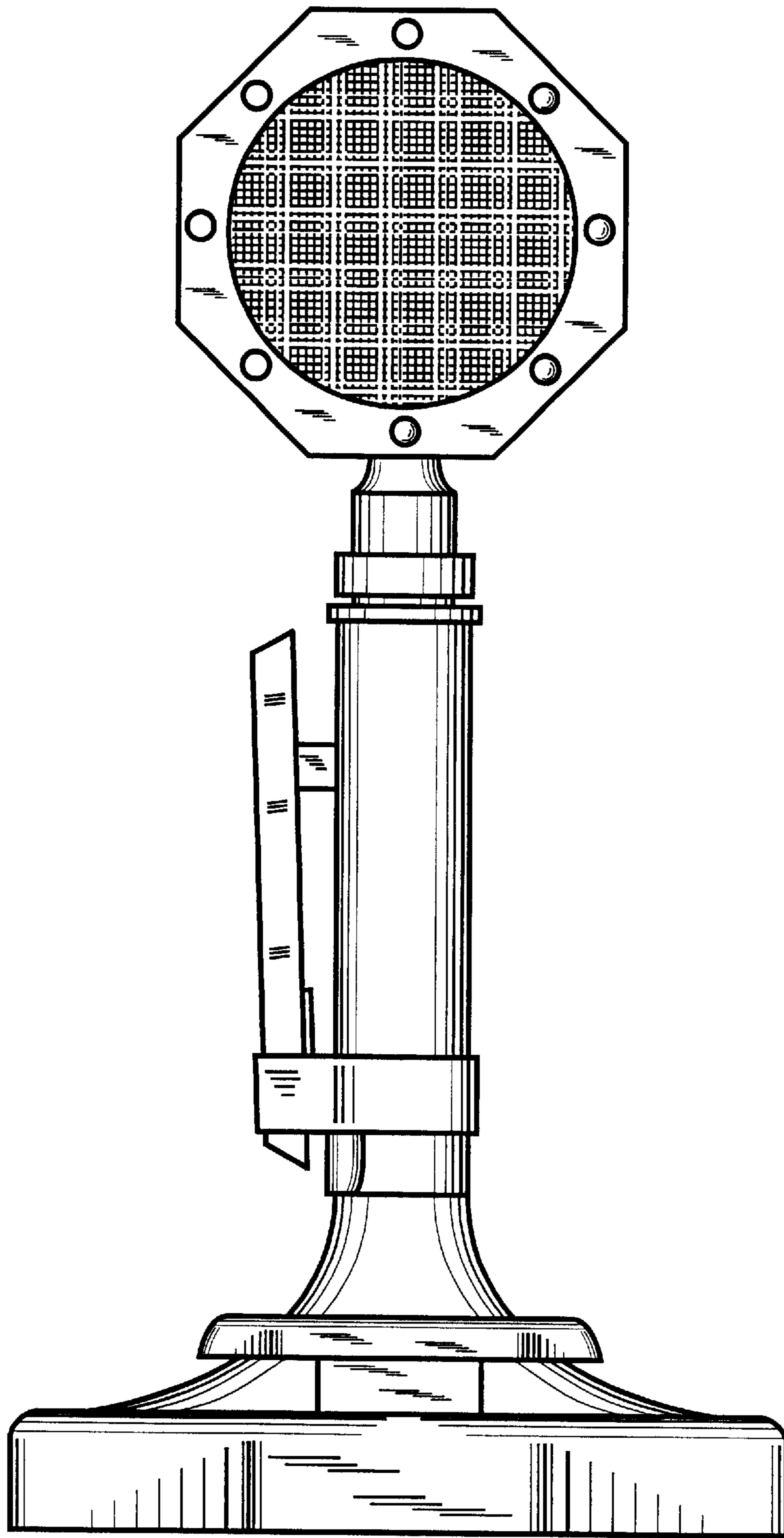
FIG. 1 is a front view of a base microphone showing my new
design;
FIG. 2 is a right side view thereof;
FIG. 3 is a left side view thereof;
FIG. 4 is a rear view thereof;
FIG. 5 is a top view thereof; and,
FIG. 6 is a bottom view thereof although the design is not
normally seen from the bottom.

U.S. PATENT DOCUMENTS

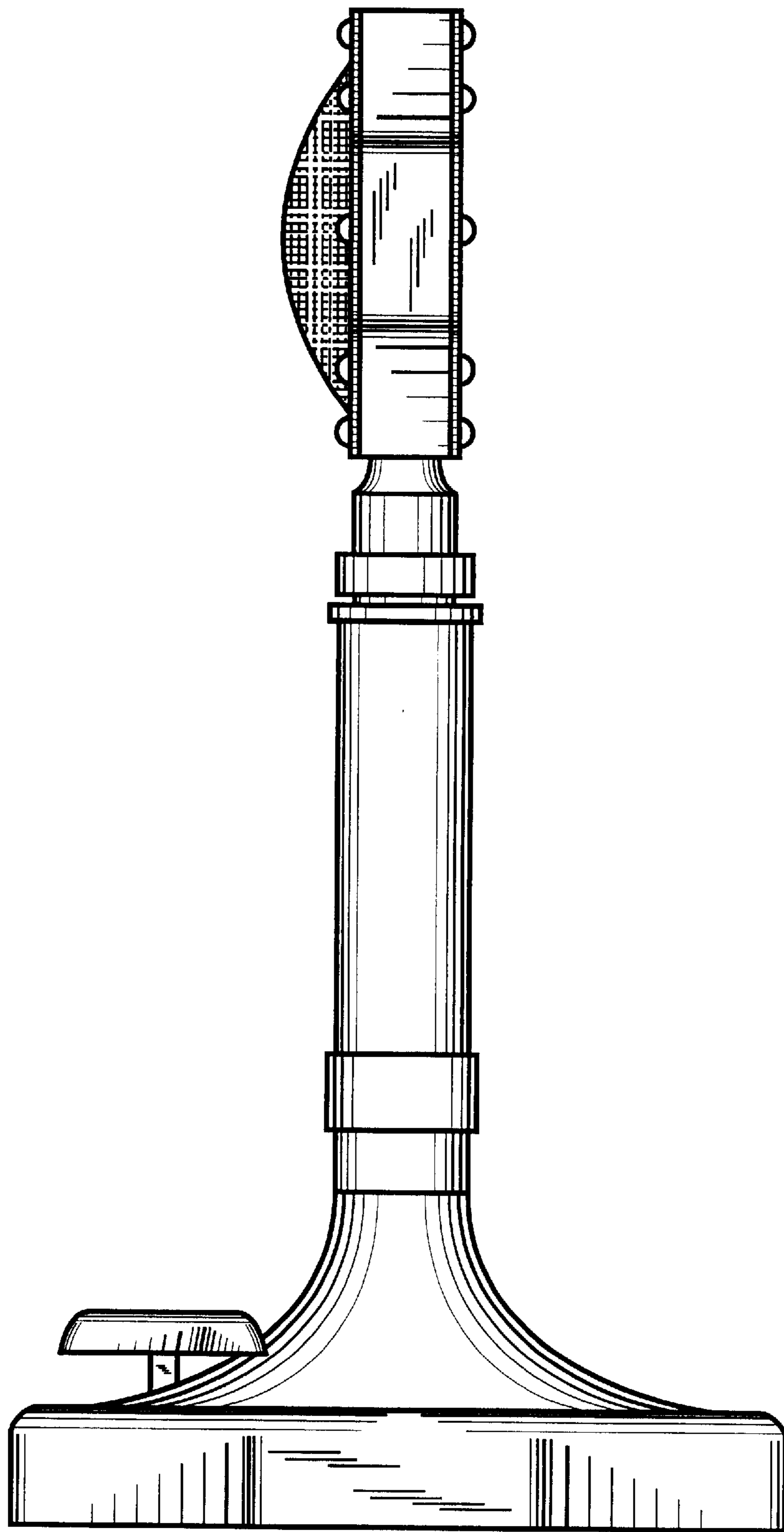
D144,929 S	*	6/1946	Metzger	D21/513
D183,114 S	*	7/1958	Burroughs	D14/228
D194,151 S	*	11/1962	Deschamps	D14/228
D198,850 S	*	8/1964	Kategianis	D14/228

1 Claim, 6 Drawing Sheets





—FIG. 1



—FIG. 2

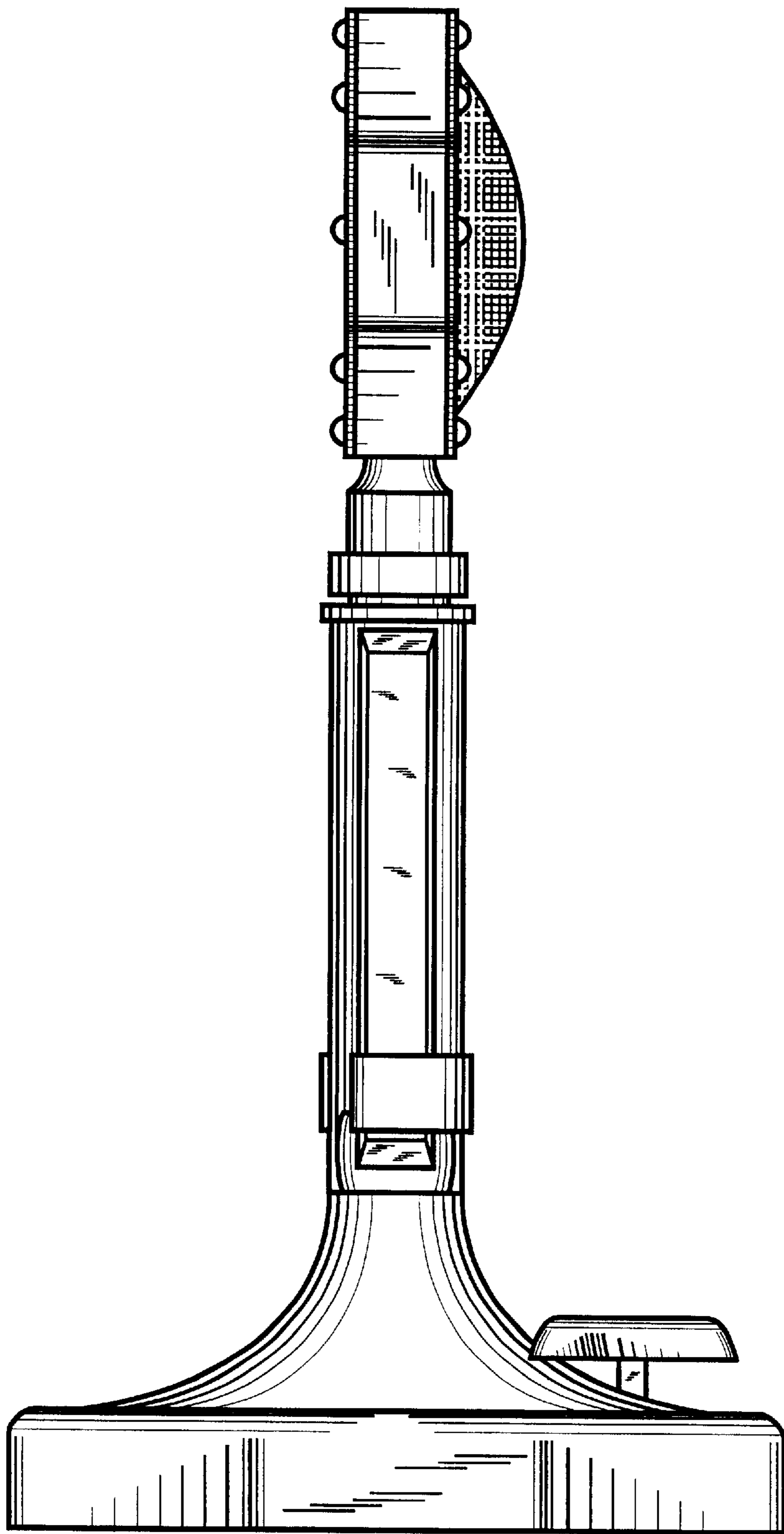
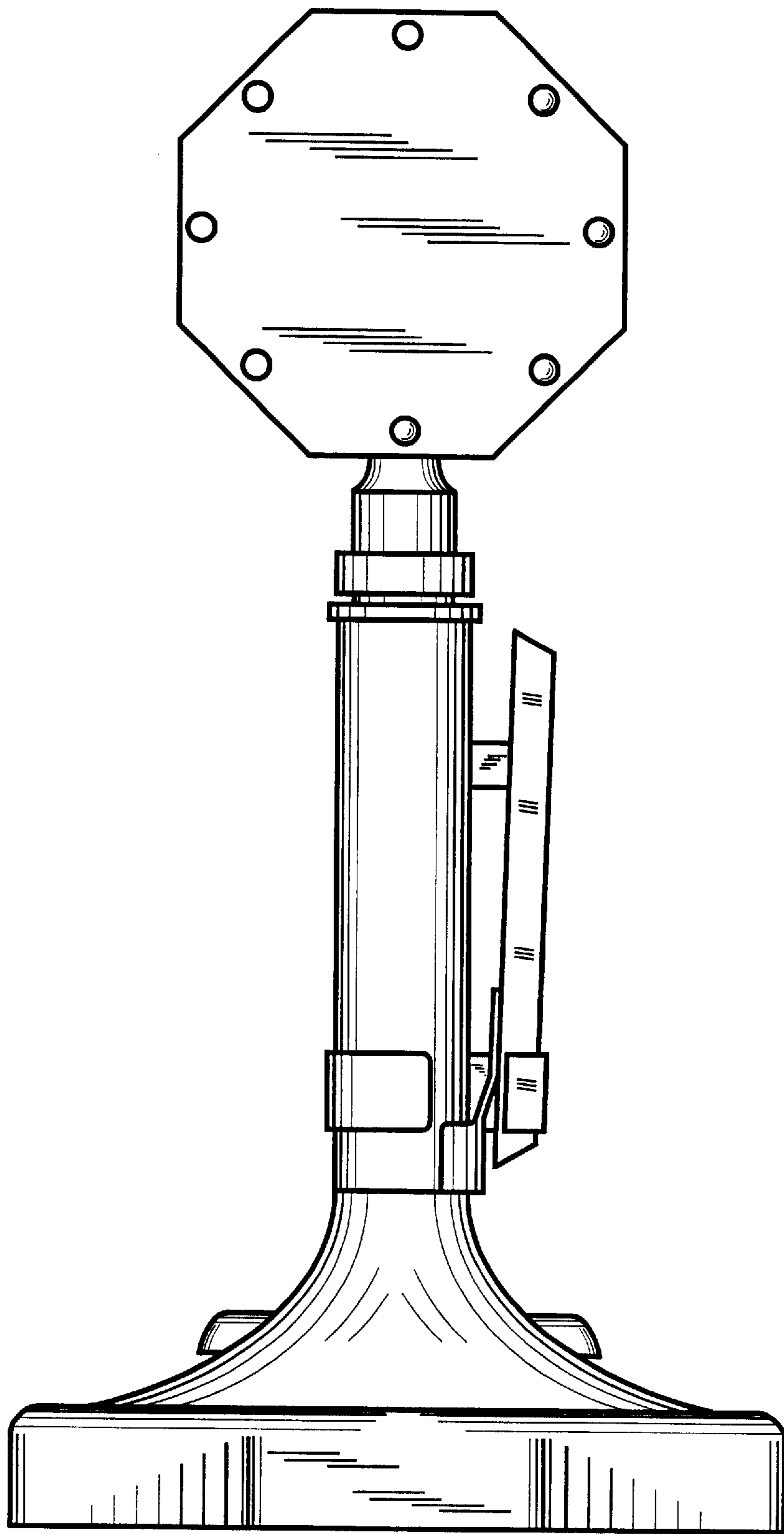
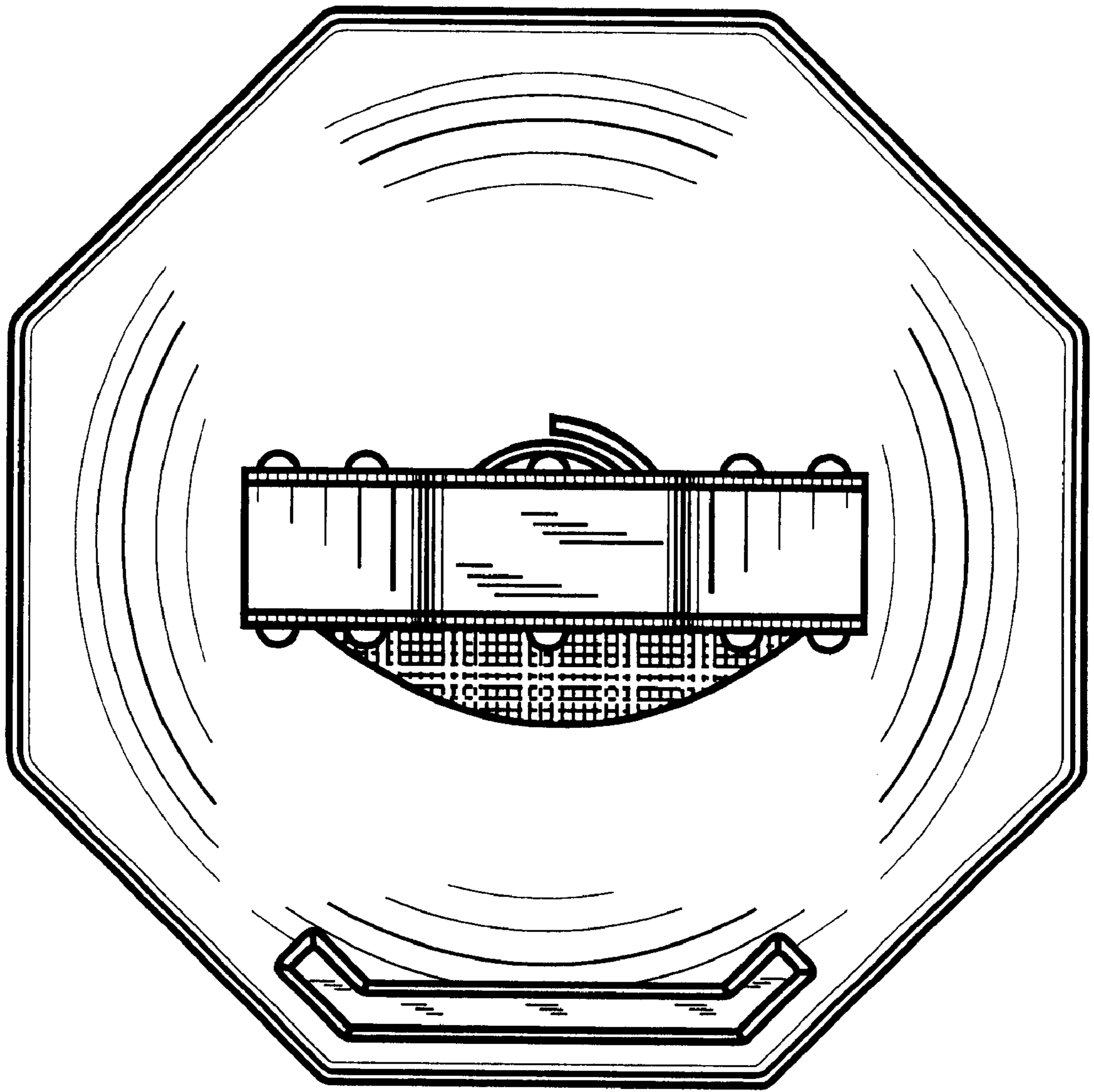


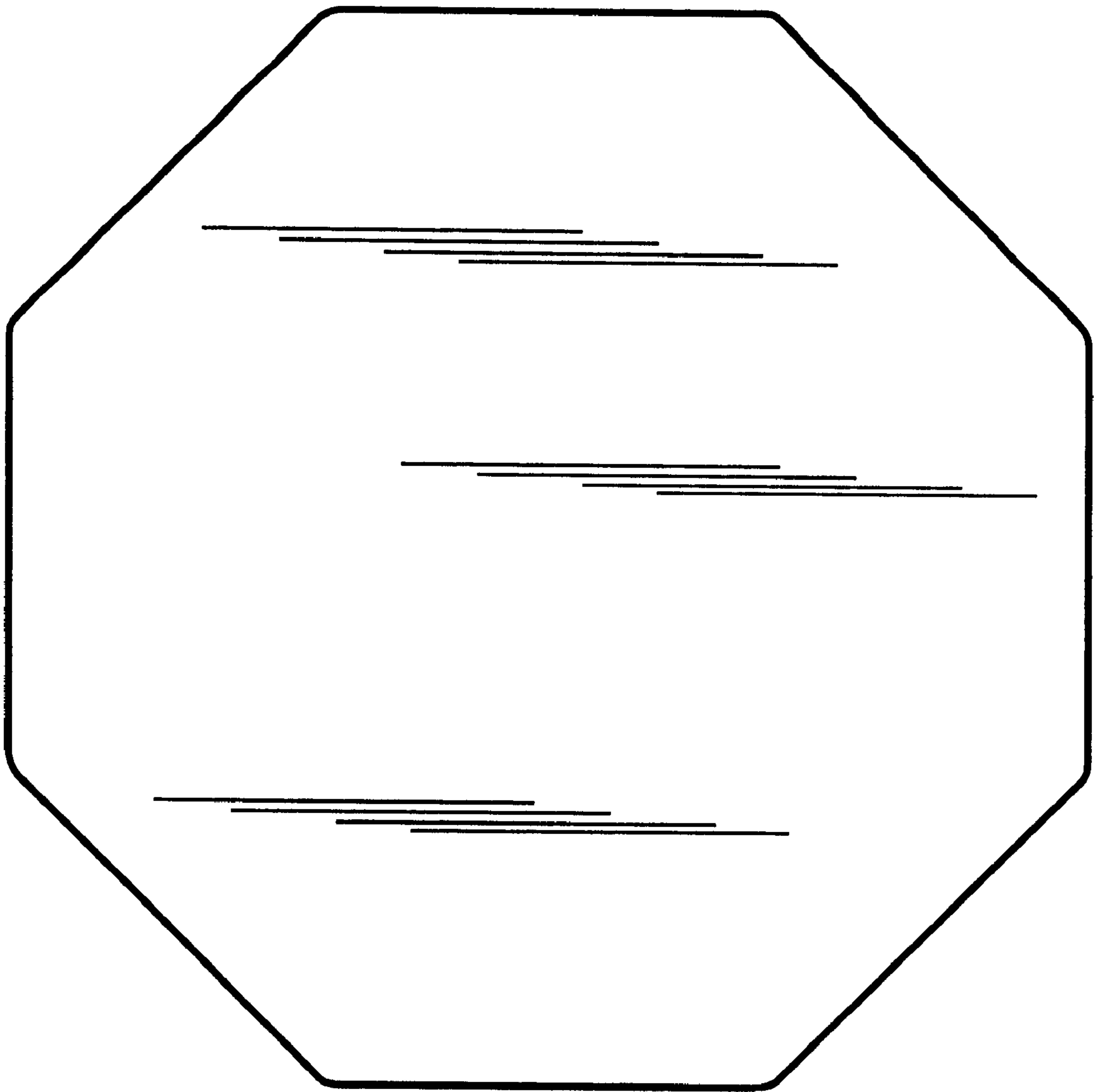
FIG. 3



—FIG. 4



— FIG. 5



— FIG. 6