



US00D475037S

(12) **United States Design Patent**
Leung

(10) **Patent No.:** **US D475,037 S**

(45) **Date of Patent:** **** May 27, 2003**

(54) **POCKET SPEAKER**

(75) Inventor: **Yeuk Yee Leung**, Quarry Bay (CN)

(73) Assignee: **Summit China Holdings Limited**,
Quarry Bay (CN)

(**) Term: **14 Years**

(21) Appl. No.: **29/161,775**

(22) Filed: **Jun. 4, 2002**

(30) **Foreign Application Priority Data**

Dec. 24, 2001 (HK) 0111946

(51) **LOC (7) Cl.** **14-01**

(52) **U.S. Cl.** **D14/204; D14/214**

(58) **Field of Search** **D14/204, 207,**
D14/209-216, 356, 170-171; 181/144-145,
147-148, 150, 153, 157, 198-199; 381/300-302,
306, 333, 345, 361-364, 386-388

(56) **References Cited**

U.S. PATENT DOCUMENTS

4,764,961 A	*	8/1988	Hung	381/308
D377,649 S	*	1/1997	Wong	D14/171
D402,657 S	*	12/1998	Renk	D14/214
D432,521 S	*	10/2000	Azumi	D14/214

* cited by examiner

Primary Examiner—Nanda Bondade

(74) *Attorney, Agent, or Firm*—Alix, Yale & Ristas, LLP

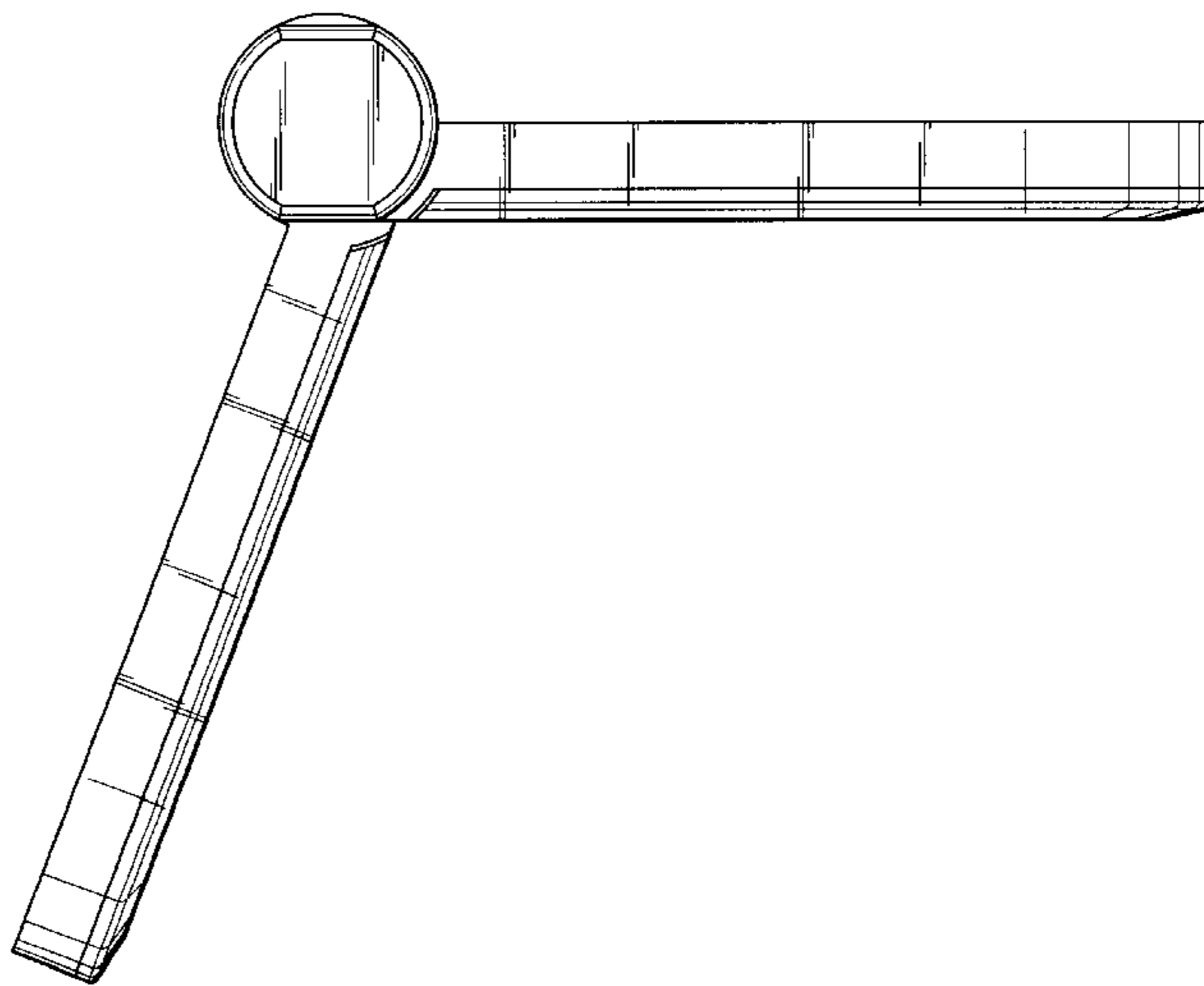
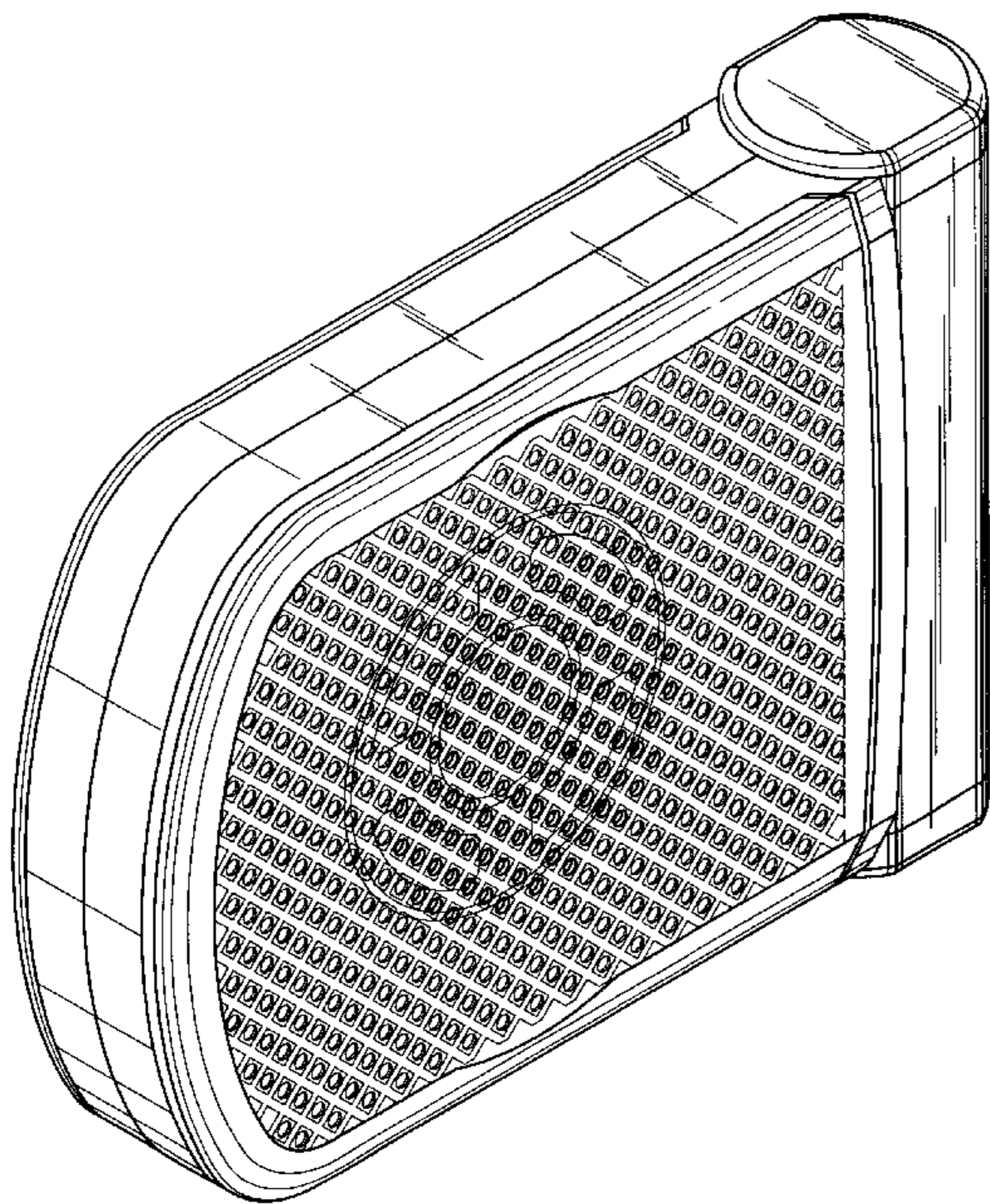
(57) **CLAIM**

The ornamental design for a pocket speaker, as shown and described.

DESCRIPTION

FIG. 1 is a front perspective view of the pocket speaker showing my new design;
 FIG. 2 is a front view of the pocket speaker of FIG. 1;
 FIG. 3 is a rear view of the pocket speaker of FIG. 1;
 FIG. 4 is a left side view of the pocket speaker of FIG. 1;
 FIG. 5 is a right side view of the pocket speaker of FIG. 1;
 FIG. 6 is a top plan view of the pocket speaker of FIG. 1;
 FIG. 7 is a bottom plan view of the pocket speaker of FIG. 1;
 FIG. 8 is a front view of the pocket speaker of FIG. 1 in a fully opened position;
 FIG. 9 is a top plan view of the pocket speaker of FIG. 1 in a fully opened position;
 FIG. 10 is a rear view of the pocket speaker of FIG. 1 in a fully opened position; and,
 FIG. 11 is a top plan view of the pocket speaker of FIG. 1 in a semi-opened position.

1 Claim, 6 Drawing Sheets



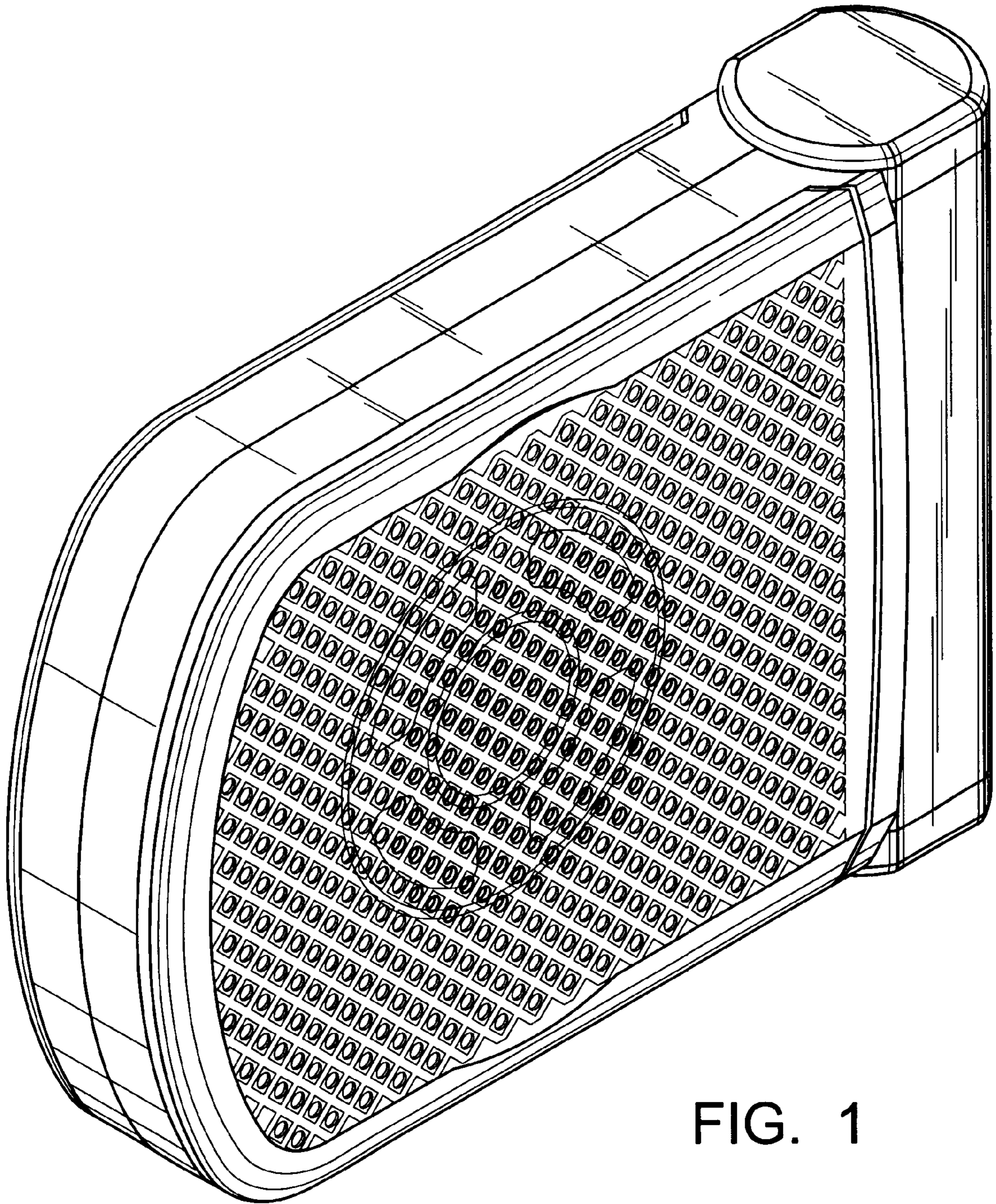


FIG. 1

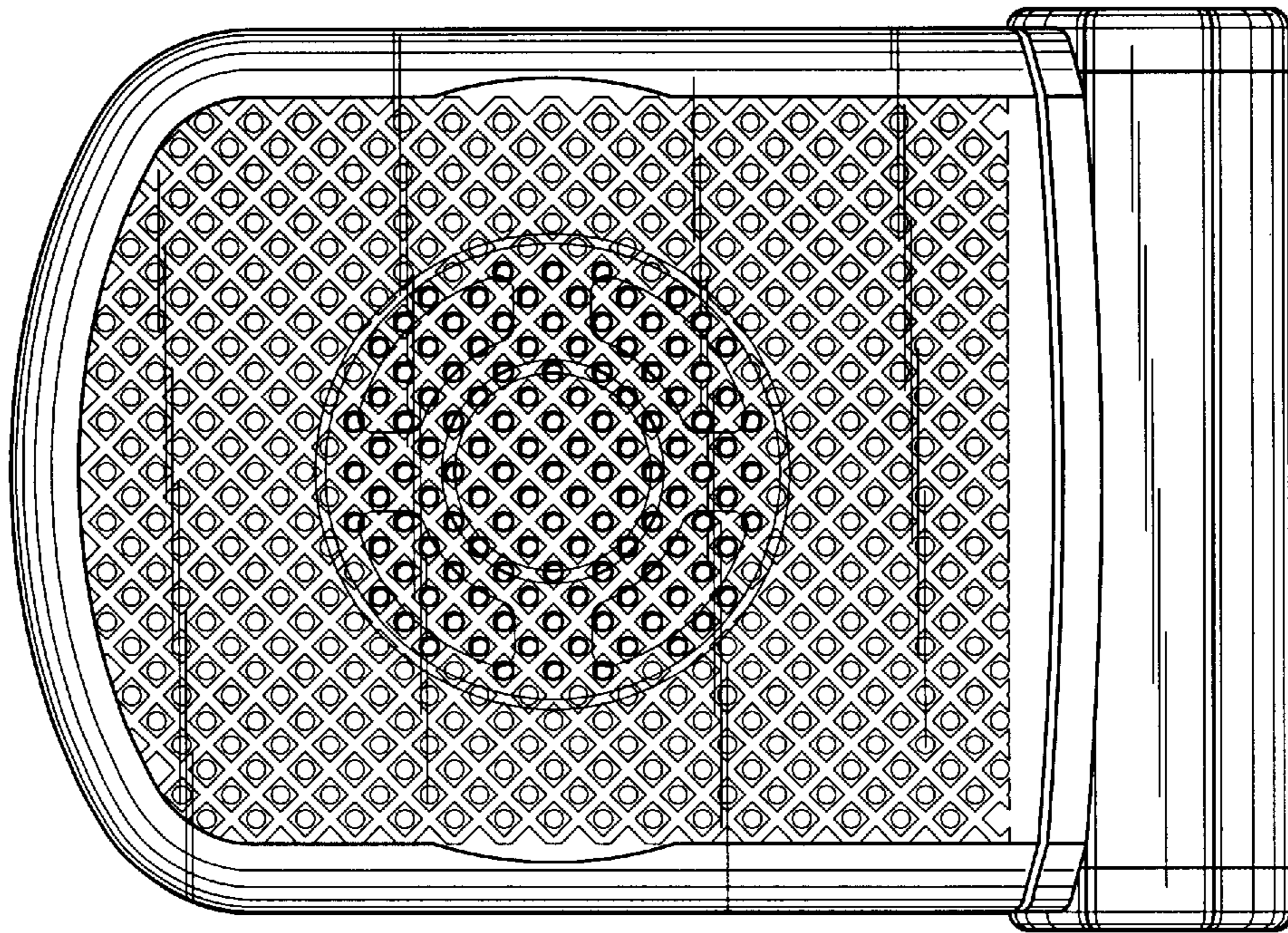


FIG. 2

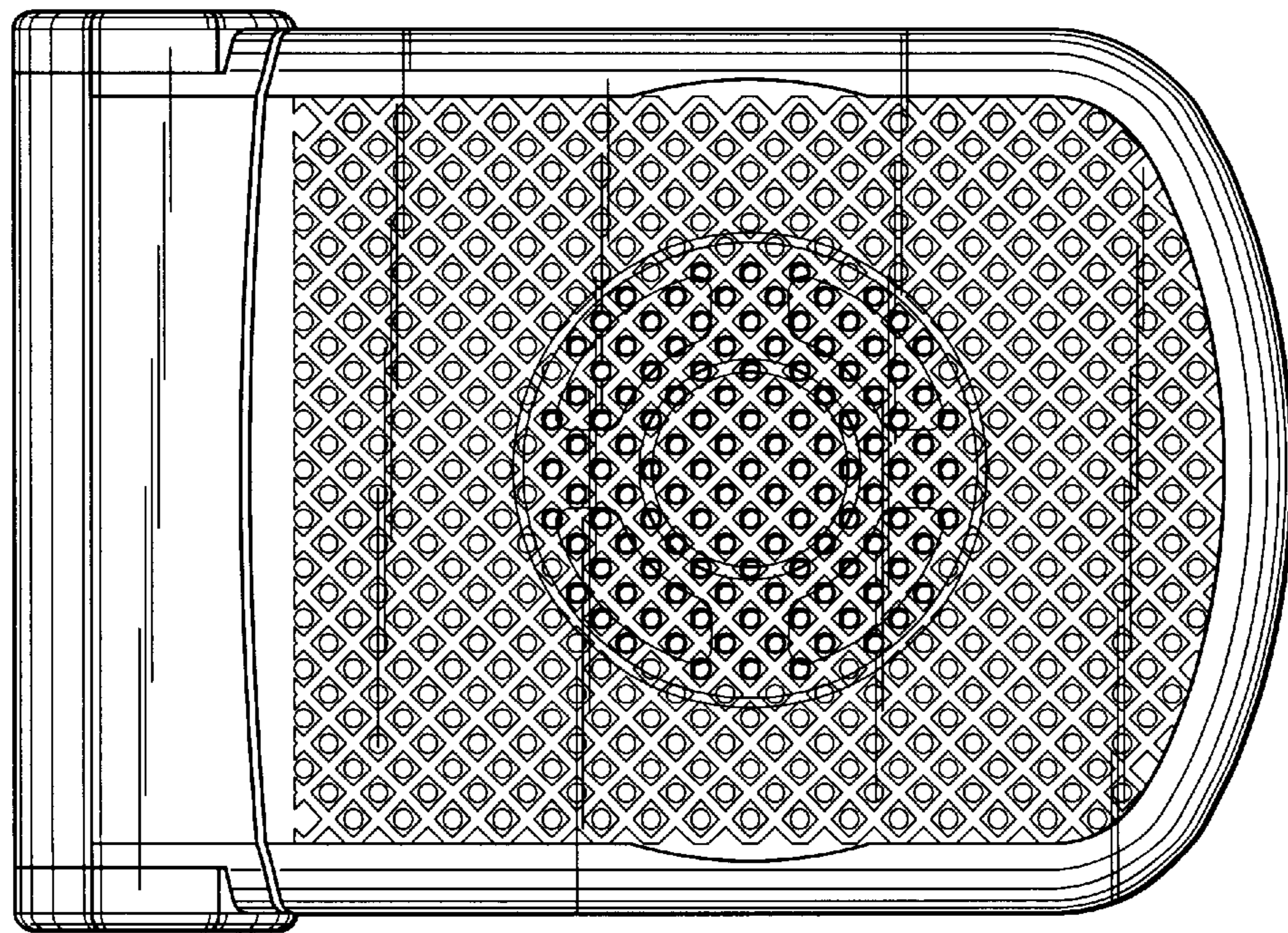


FIG. 3

FIG. 4

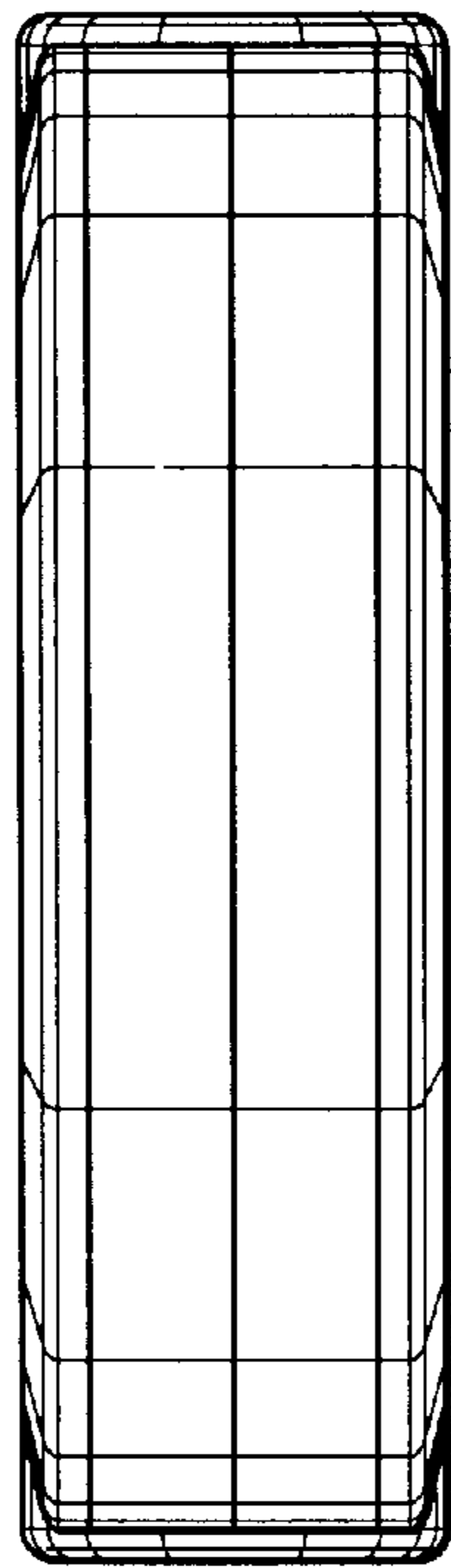


FIG. 5

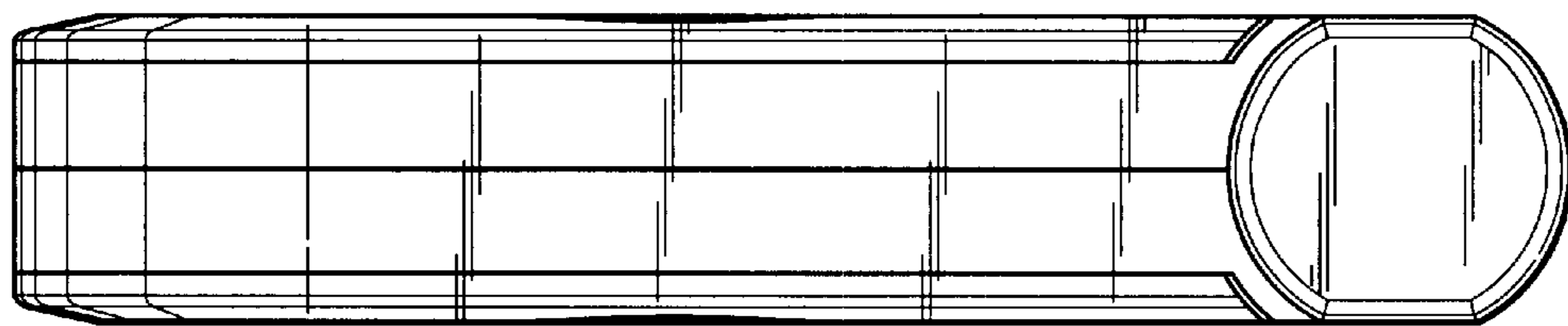
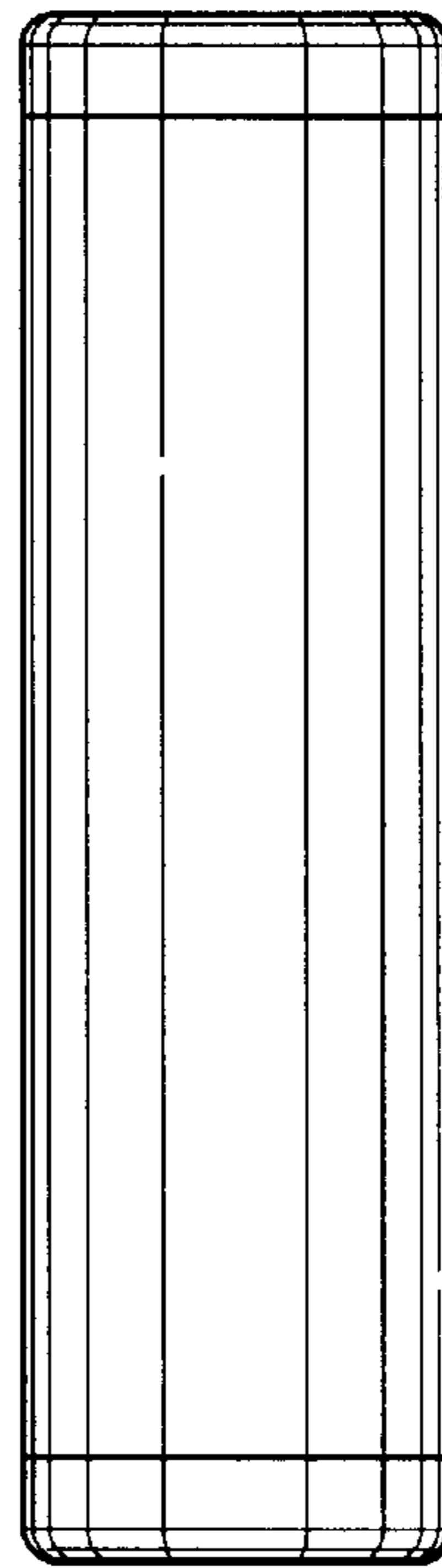


FIG. 6

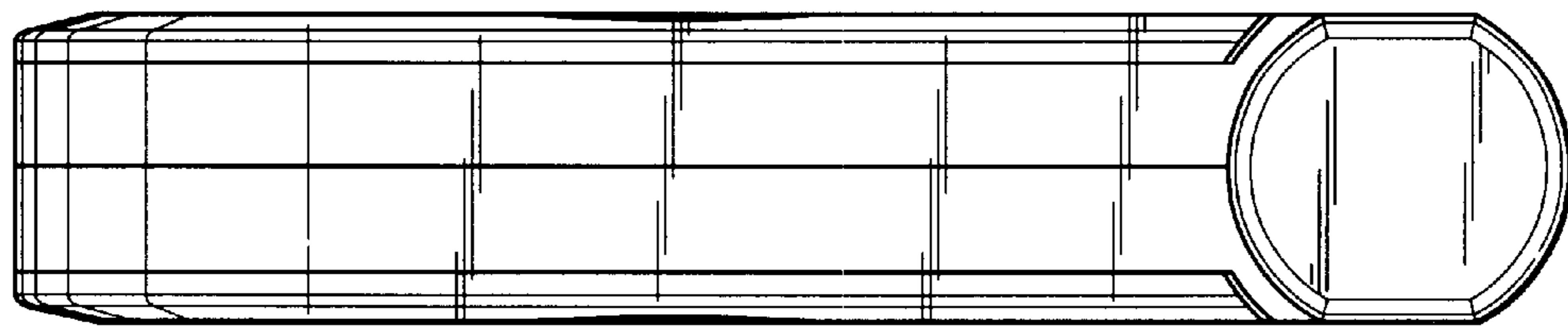


FIG. 7

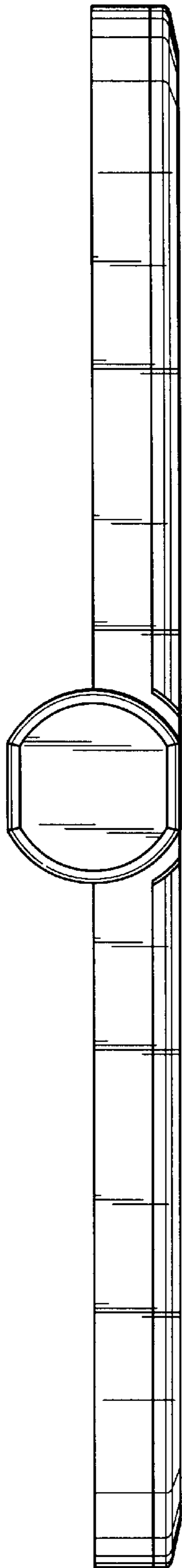


FIG. 9

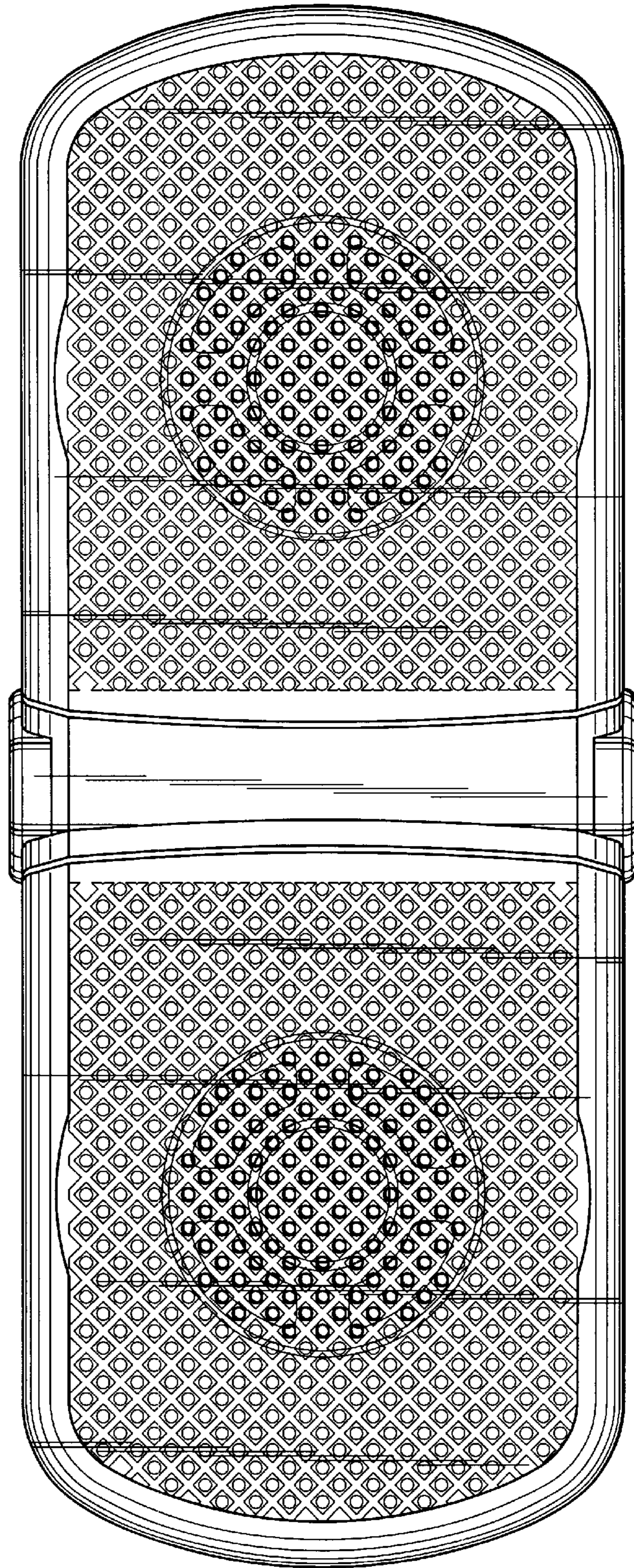


FIG. 8

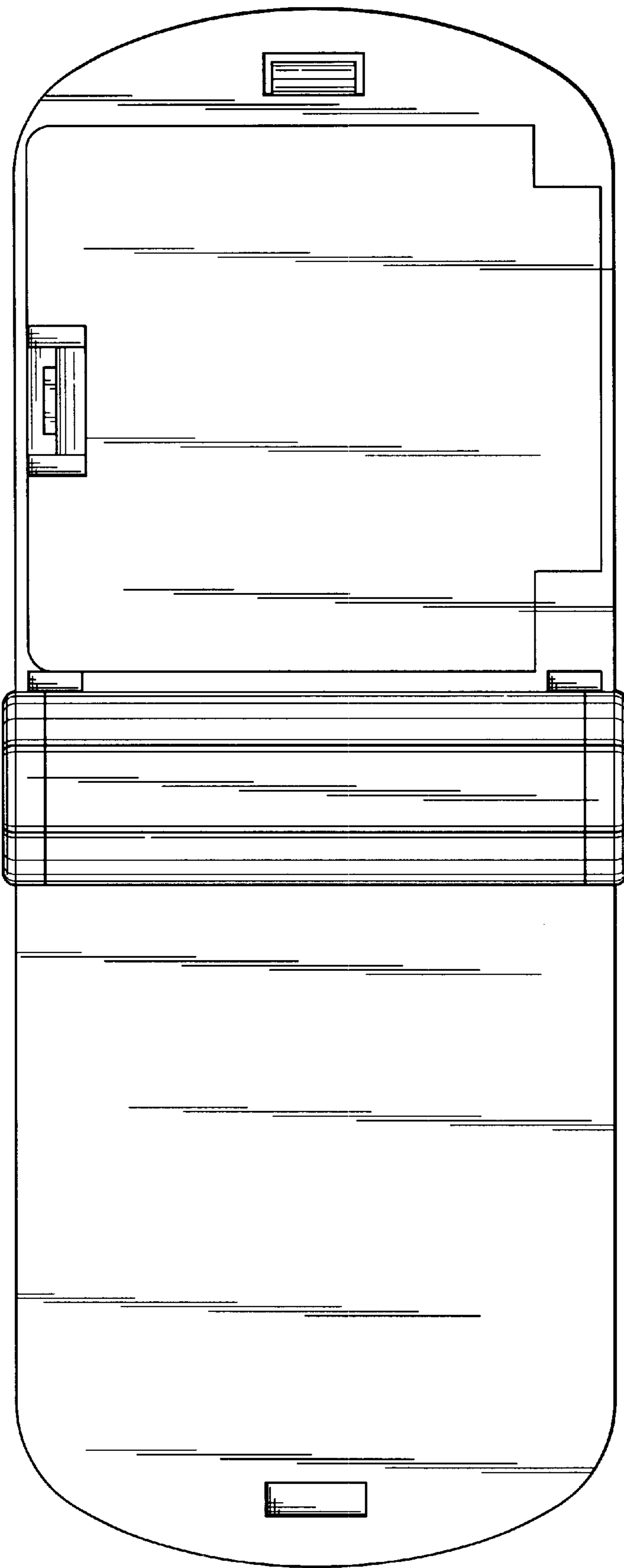


FIG. 10

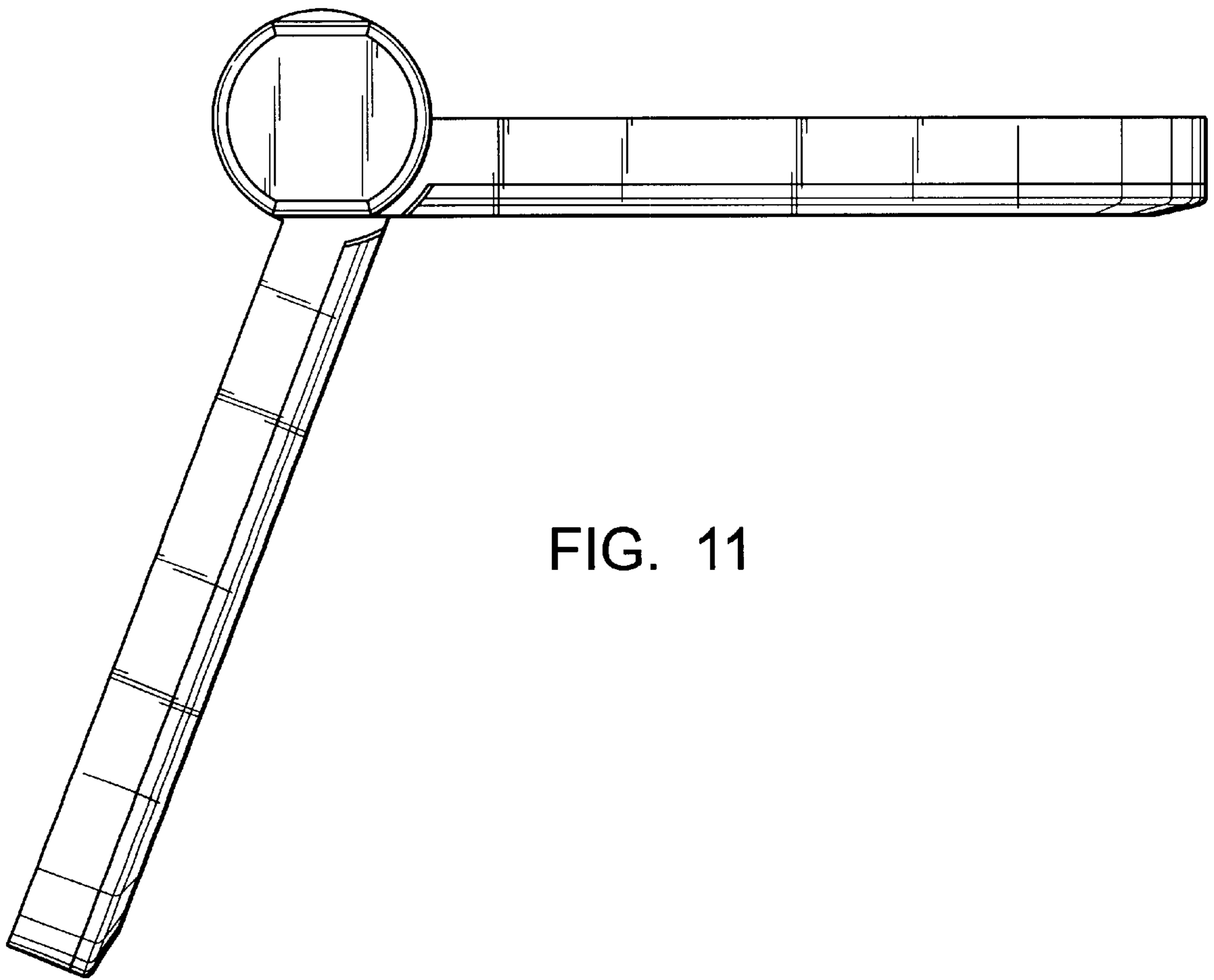


FIG. 11