



US00D475035S

(12) **United States Design Patent**  
**Takagi**

(10) **Patent No.:** **US D475,035 S**

(45) **Date of Patent:** **\*\* May 27, 2003**

(54) **DISC PLAYER**

D448,747 S 10/2001 Kataoka  
D451,080 S 11/2001 Kataoka

(75) Inventor: **Noriaki Takagi**, Tokyo (JP)

**OTHER PUBLICATIONS**

(73) Assignee: **Sony Corporation**, Tokyo (JP)

Catalog "98", p. 70, Sony Corporation (Jul. 2001).

(\*\*) Term: **14 Years**

\* cited by examiner

(21) Appl. No.: **29/159,582**

*Primary Examiner*—Nanda Bondade

(22) Filed: **Apr. 25, 2002**

(74) *Attorney, Agent, or Firm*—Rader, Fishman & Grauer PLLC

(51) **LOC (7) Cl.** ..... **14-01**

(57) **CLAIM**

(52) **U.S. Cl.** ..... **D14/156**

The ornamental design for a disc player, as shown and described.

(58) **Field of Search** ..... D14/135-136,  
D14/156-157, 167-168, 188, 193-198,  
257-258; 369/75.1, 75.2, 77.1, 77.2; 455/344,  
347, 350-351

**DESCRIPTION**

(56) **References Cited**

FIG. 1 is a perspective view of a disc player showing my new design;

**U.S. PATENT DOCUMENTS**

FIG. 2 is a front elevational view thereof;

D313,018 S	*	12/1990	Funabashi	.....	D14/156
D425,889 S		5/2000	Yuyama		
D431,544 S	*	10/2000	Kobayashi	.....	D14/156
D432,514 S		10/2000	Nakamura et al.		
D433,672 S		11/2000	Kobayashi		
D441,350 S		5/2001	Nakamura et al.		
D442,570 S	*	5/2001	Arjomand et al.	.....	D14/160

FIG. 3 is a rear elevational view thereof;

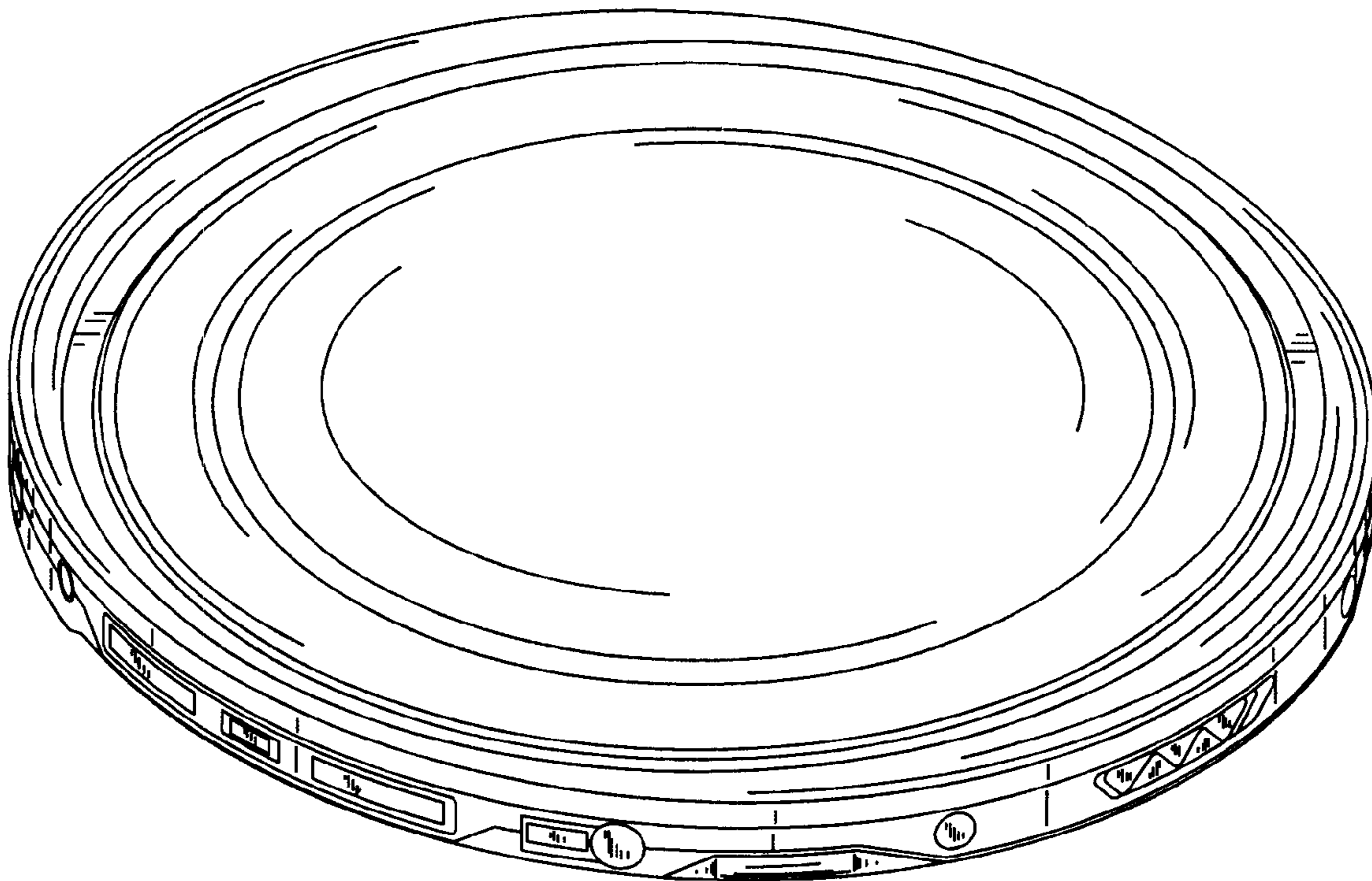
FIG. 4 is a left side elevational view thereof;

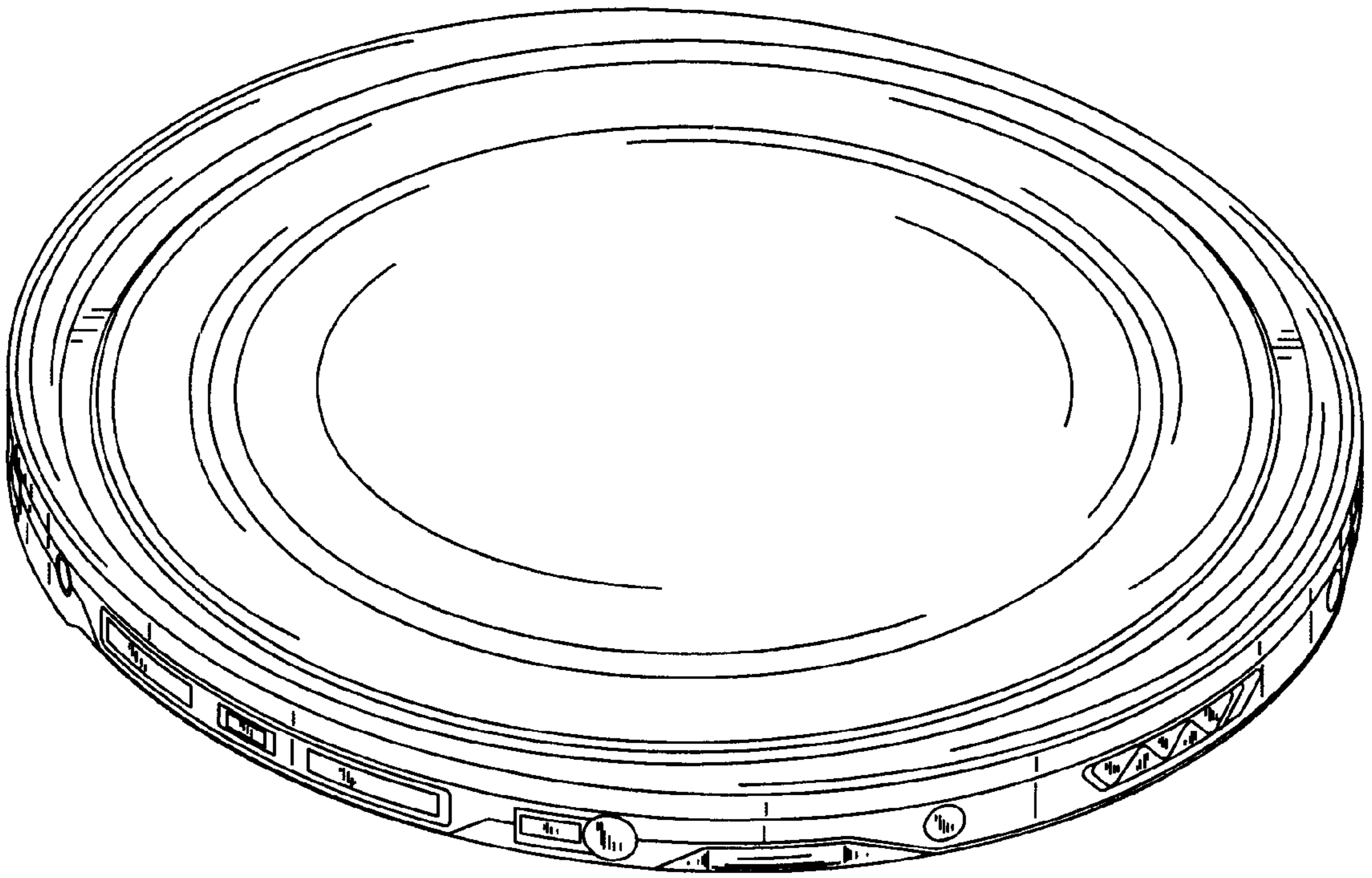
FIG. 5 is a right elevational view thereof;

FIG. 6 is a top plan view thereof; and,

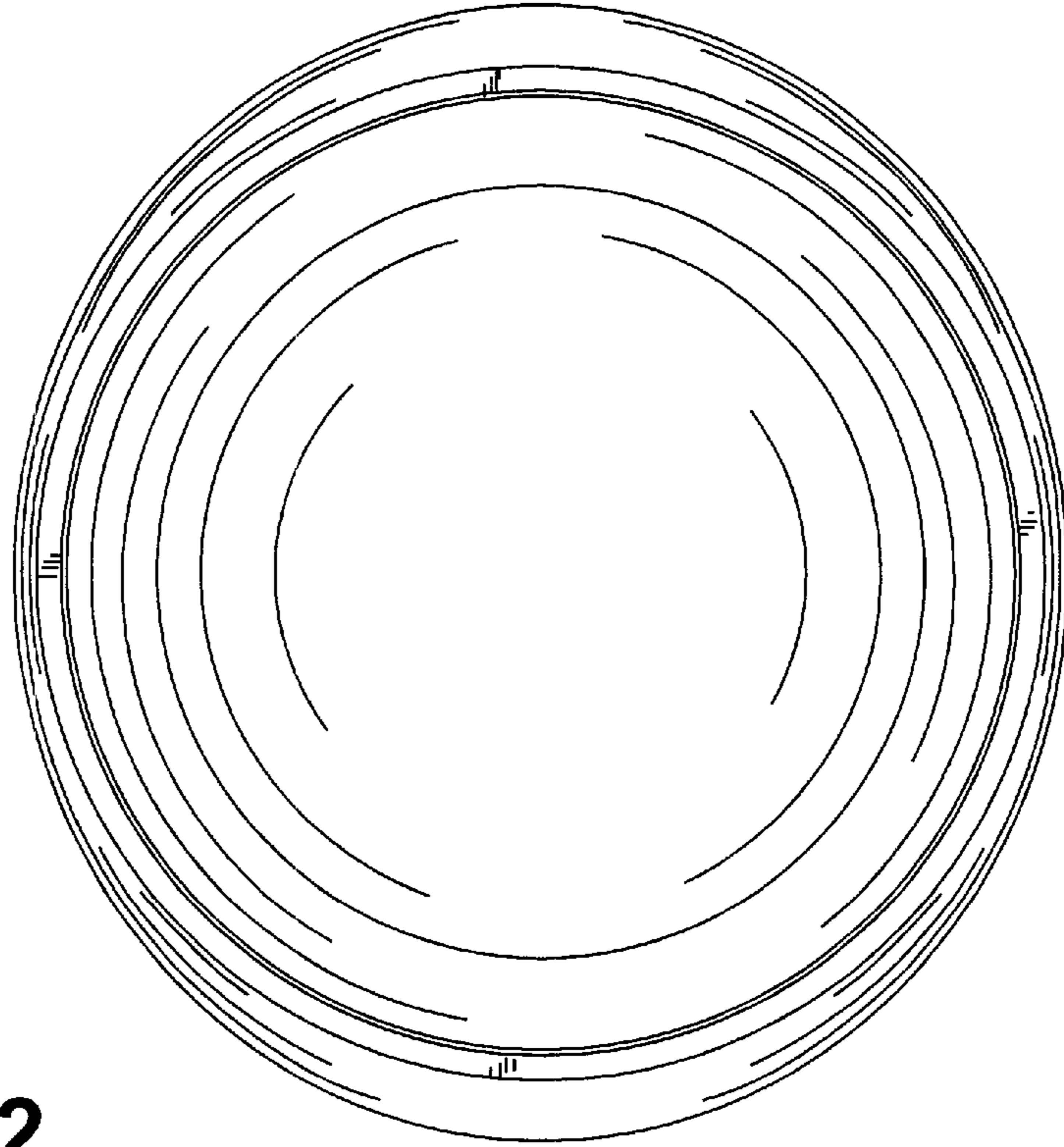
FIG. 7 is a bottom plan view thereof.

**1 Claim, 4 Drawing Sheets**

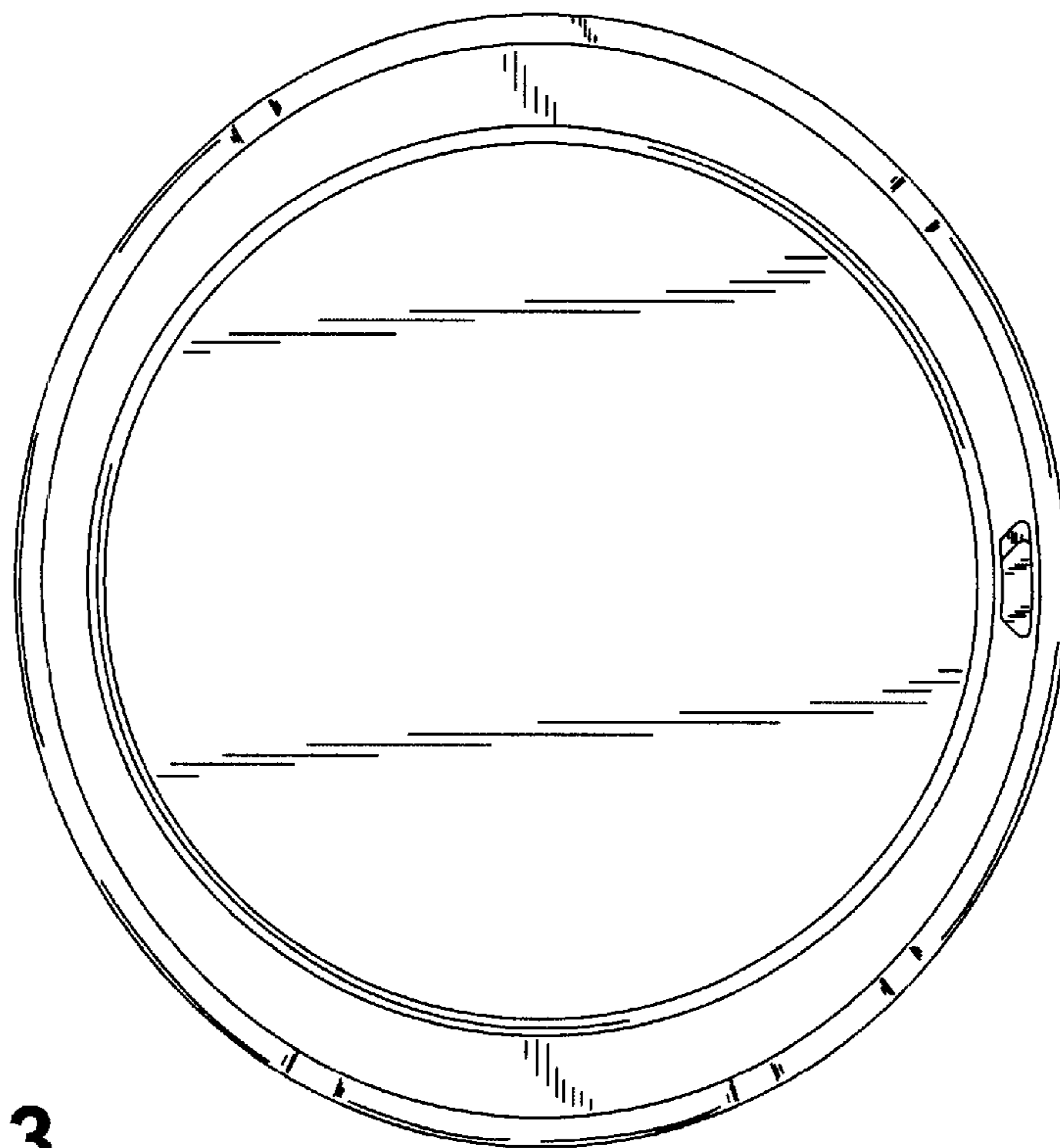




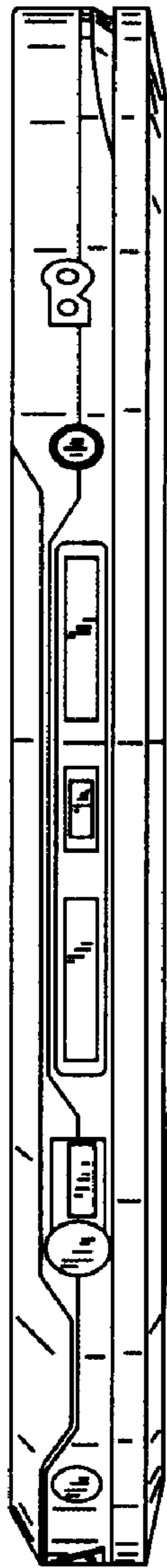
**Fig. 1**



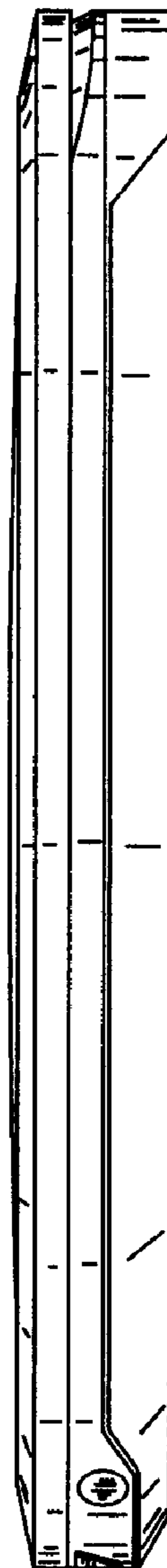
**Fig. 2**



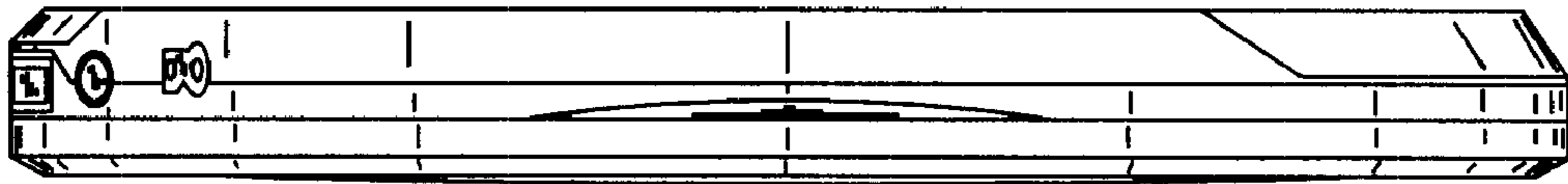
**Fig. 3**



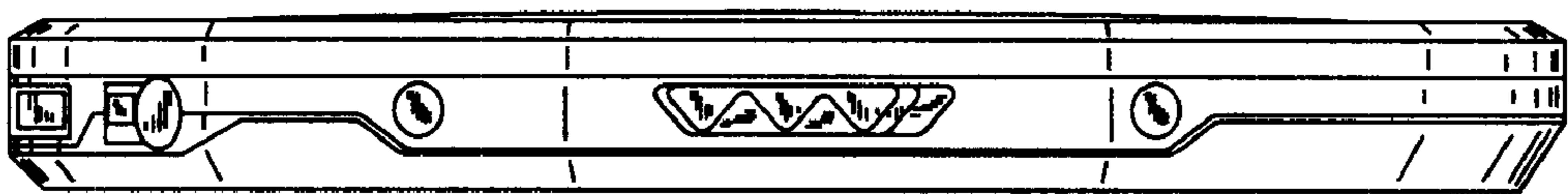
**Fig. 4**



**Fig. 5**



**Fig. 6**



**Fig. 7**