



US00D475023S

(12) **United States Design Patent**
Maushard et al.

(10) **Patent No.:** **US D475,023 S**

(45) **Date of Patent:** **** May 27, 2003**

(54) **PIEZOELECTRIC ACTUATOR DEVICE**

6,201,339 B1 * 3/2001 Tani et al. 310/328

(75) Inventors: **Jerry P Maushard**, Mapleton, IL (US);
L. Glenn Waterfield, Peoria, IL (US)

* cited by examiner

(73) Assignee: **Caterpillar Inc**, Peoria, IL (US)

Primary Examiner—Ted Shooman
Assistant Examiner—Selina Sikder
(74) *Attorney, Agent, or Firm*—Kelsey L Milman

(**) Term: **14 Years**

(57) **CLAIM**

(21) Appl. No.: **29/161,984**

The ornamental design for a piezoelectric actuator device, as shown and described.

(22) Filed: **Jun. 6, 2002**

(51) **LOC (7) Cl.** **13-03**

(52) **U.S. Cl.** **D13/158**

(58) **Field of Search** D13/101, 158,
D13/174, 182; D27/141, 157; 200/181,
600; 29/25.35; 310/317, 323.17, 330, 328,
331, 332, 338, 339

DESCRIPTION

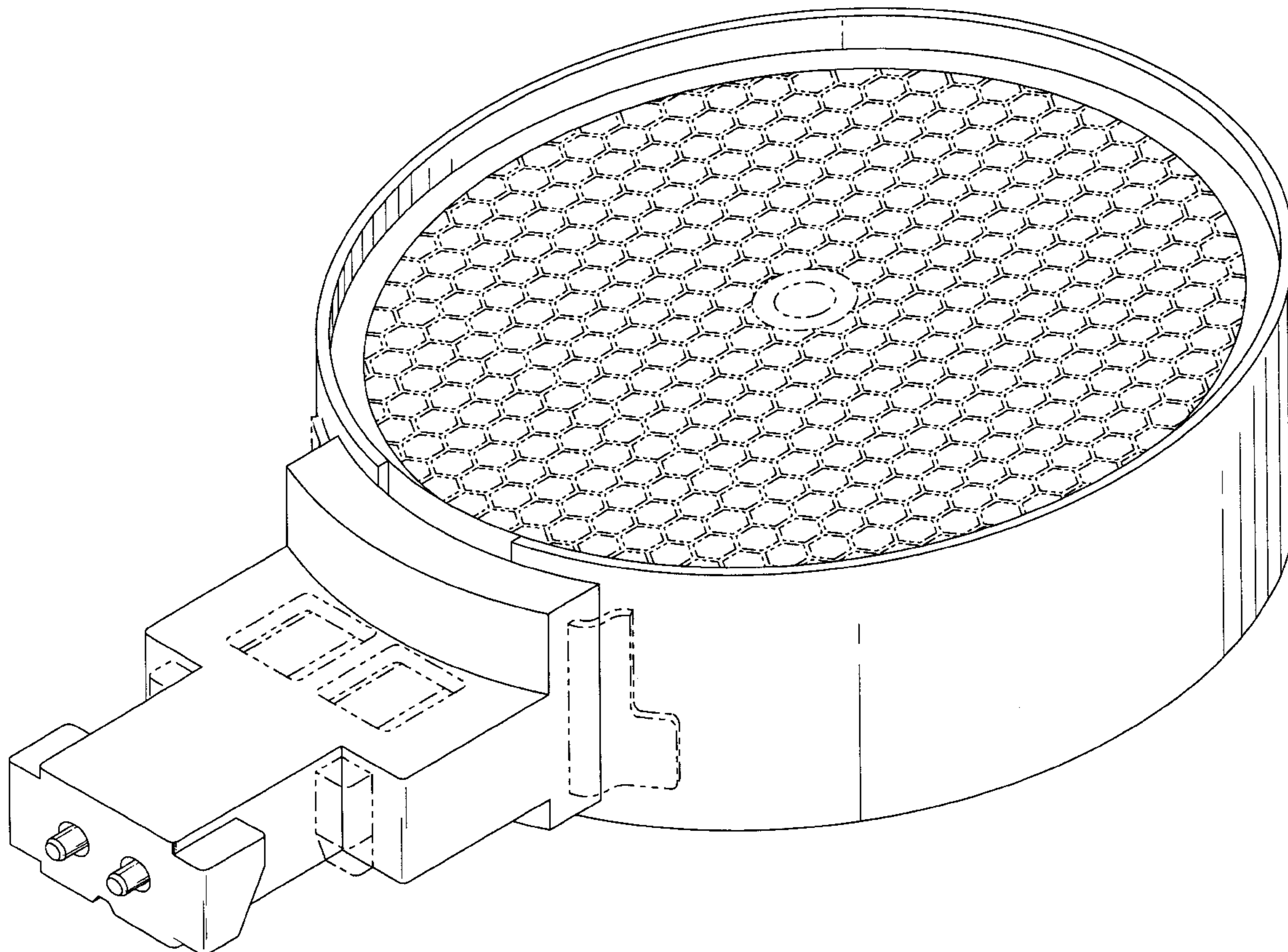
(56) **References Cited**

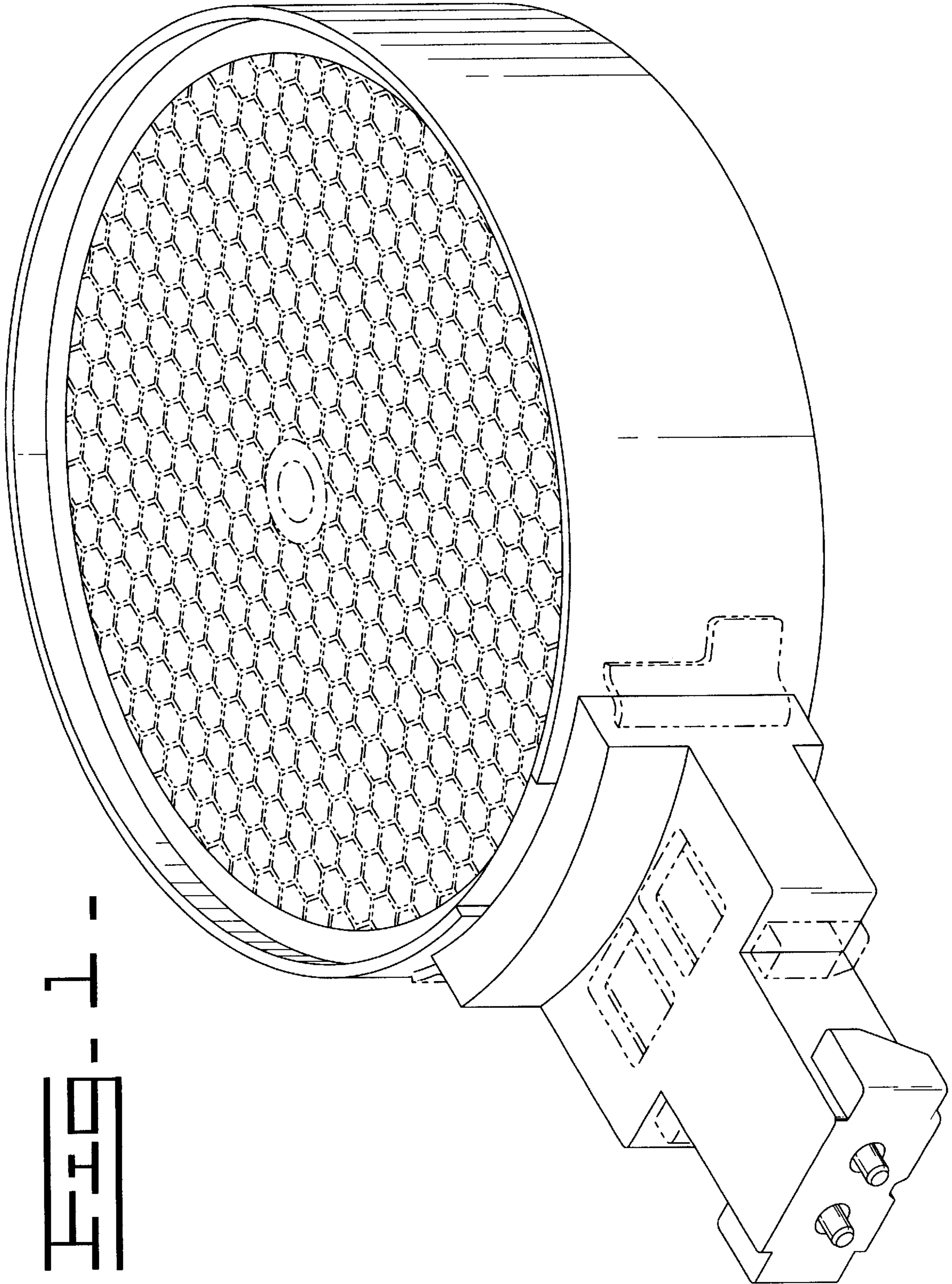
U.S. PATENT DOCUMENTS

D193,186 S	*	7/1962	Marcoux	D13/158
4,035,672 A	*	7/1977	Beaverson et al.	310/324
4,430,595 A	*	2/1984	Nakasone et al.	310/339
4,545,561 A	*	10/1985	Brown	251/129.08
4,642,509 A	*	2/1987	Kumada	310/323
5,216,316 A	*	6/1993	Ipcinski	310/338
D356,778 S	*	3/1995	Takeda et al.	D13/182

FIG. 1 is a bottom perspective view of the piezoelectric actuator device of our invention;
FIG. 2 is an inverted front elevational view of the piezoelectric actuator device illustrated in FIG. 1;
FIG. 3 is a bottom plan view of the piezoelectric actuator device illustrated in FIG. 1;
FIG. 4 is a top plan view of the piezoelectric actuator device illustrated in FIG. 1; and,
FIG. 5 is a left side elevational view of the piezoelectric actuator device illustrated in FIG. 1, the right side being a mirror image thereof.
The broken line showing of the environment is for illustrative purpose only and forms no part of the claimed design.

1 Claim, 5 Drawing Sheets





1-9-03

FIG. 2.

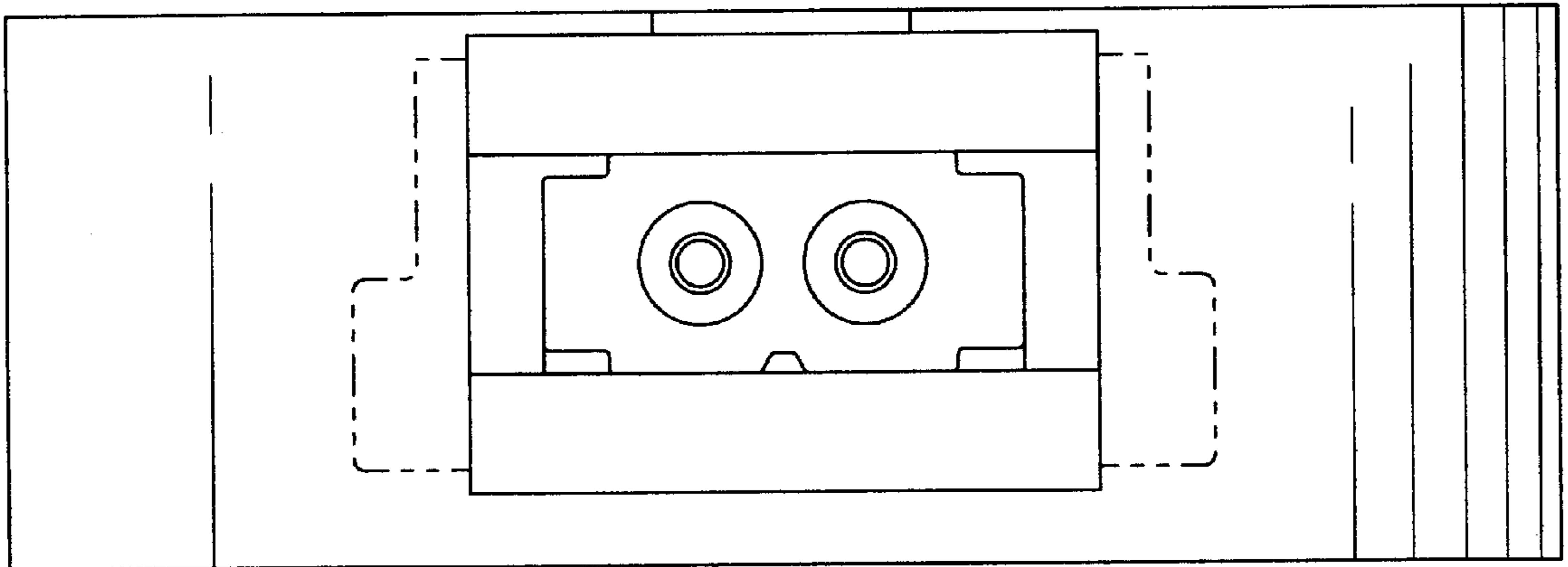


FIG. 3.

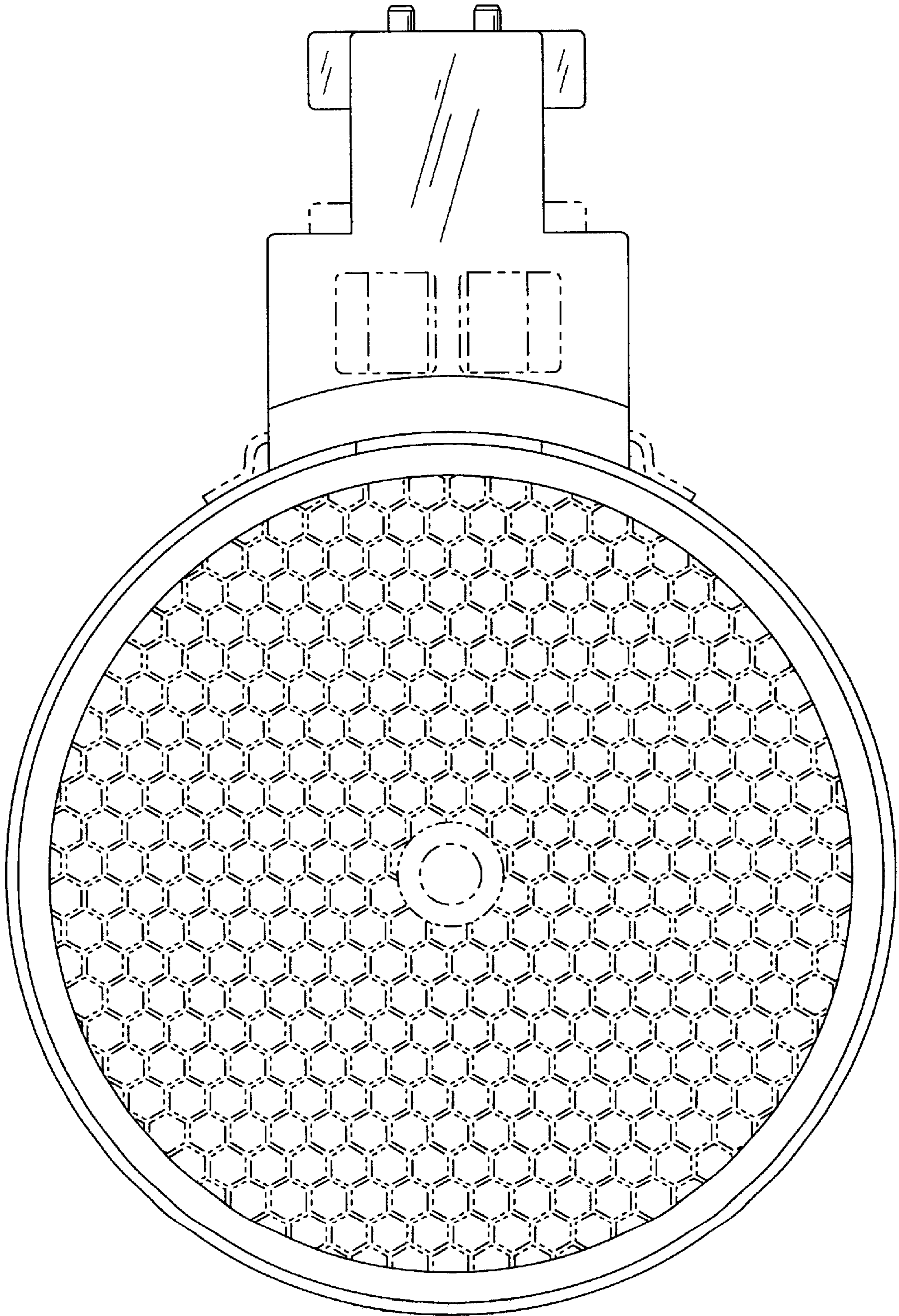


FIG. 4

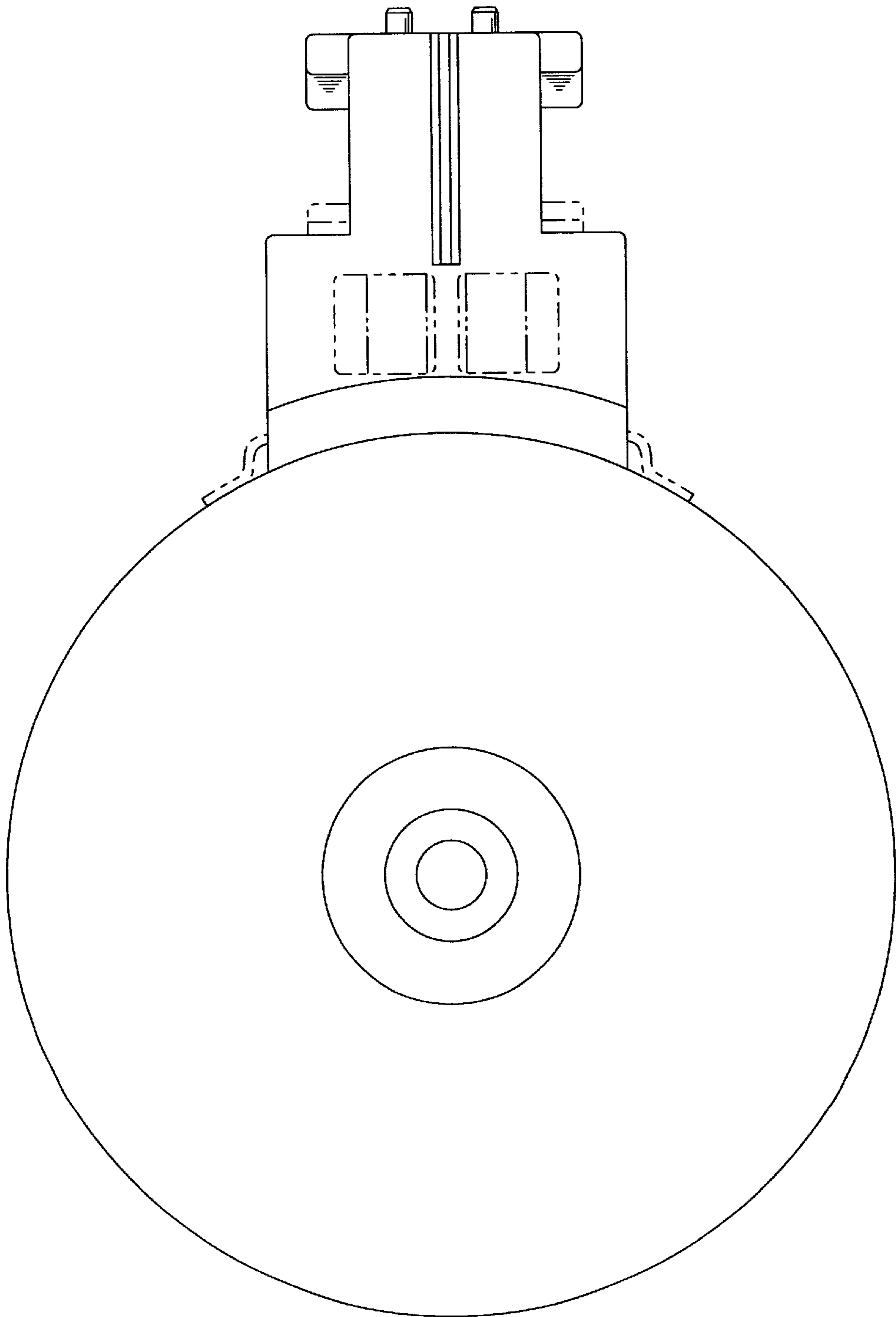


FIG. 5.

