



US00D475022S

(12) **United States Design Patent**  
**Kihira et al.**

(10) **Patent No.:** **US D475,022 S**

(45) **Date of Patent:** **\*\* May 27, 2003**

(54) **PRESSURE CONTACT TERMINAL FOR POWER SUPPLY JACK**

2002/0111082 A1 \* 8/2002 Murakami et al. .... 439/884

**FOREIGN PATENT DOCUMENTS**

(75) Inventors: **Satoru Kihira**, Kanagawa (JP);  
**Tsuyoshi Fukami**, Kanagawa (JP);  
**Masato Kato**, Kanagawa (JP); **Kiyoshi Washino**, Kanagawa (JP); **Syoichi Takada**, Kanagawa (JP)

JP 1-140776 U 9/1989  
KR 30-0240760 S 4/1999

**OTHER PUBLICATIONS**

“Connectors Catalog,” vol. 110, p. 658, JST (Dec. 2001).

(73) Assignee: **J.S.T. Mfg. Co., Ltd.**, Osaka (JP)

\* cited by examiner

(\*\*) Term: **14 Years**

*Primary Examiner*—Jennifer Rivard

(21) Appl. No.: **29/167,654**

(74) *Attorney, Agent, or Firm*—Rader, Fishman & Grauer PLLC

(22) Filed: **Sep. 19, 2002**

(57) **CLAIM**

(30) **Foreign Application Priority Data**

The ornamental design for a pressure contact terminal for power supply jack, as shown.

Mar. 20, 2002 (JP) ..... 2002-007440

**DESCRIPTION**

(51) **LOC (7) Cl.** ..... **13-03**

(52) **U.S. Cl.** ..... **D13/154; D13/133**

(58) **Field of Search** ..... 439/872, 877,  
439/884; D13/133, 154

FIG. 1 is a front left top perspective view of a pressure contact terminal for power supply jack showing our new design;

FIG. 2 is a rear right top perspective view thereof;

FIG. 3 is a front elevational view thereof;

FIG. 4 is a rear elevational view thereof;

FIG. 5 is a right side elevational view thereof;

FIG. 6 is a left side elevational view thereof;

FIG. 7 is a top plan view thereof; and,

FIG. 8 is a bottom plan view thereof.

(56) **References Cited**

**U.S. PATENT DOCUMENTS**

5,266,056 A \* 11/1993 Baderschneider et al. . D13/133  
5,762,526 A \* 6/1998 Kuramoto et al. .... 439/884  
D454,545 S \* 3/2002 Hayashi et al. .... D13/154  
6,375,521 B2 \* 4/2002 Tachi et al. .... 439/884  
D457,136 S \* 5/2002 Hayashi et al. .... D13/133

**1 Claim, 4 Drawing Sheets**

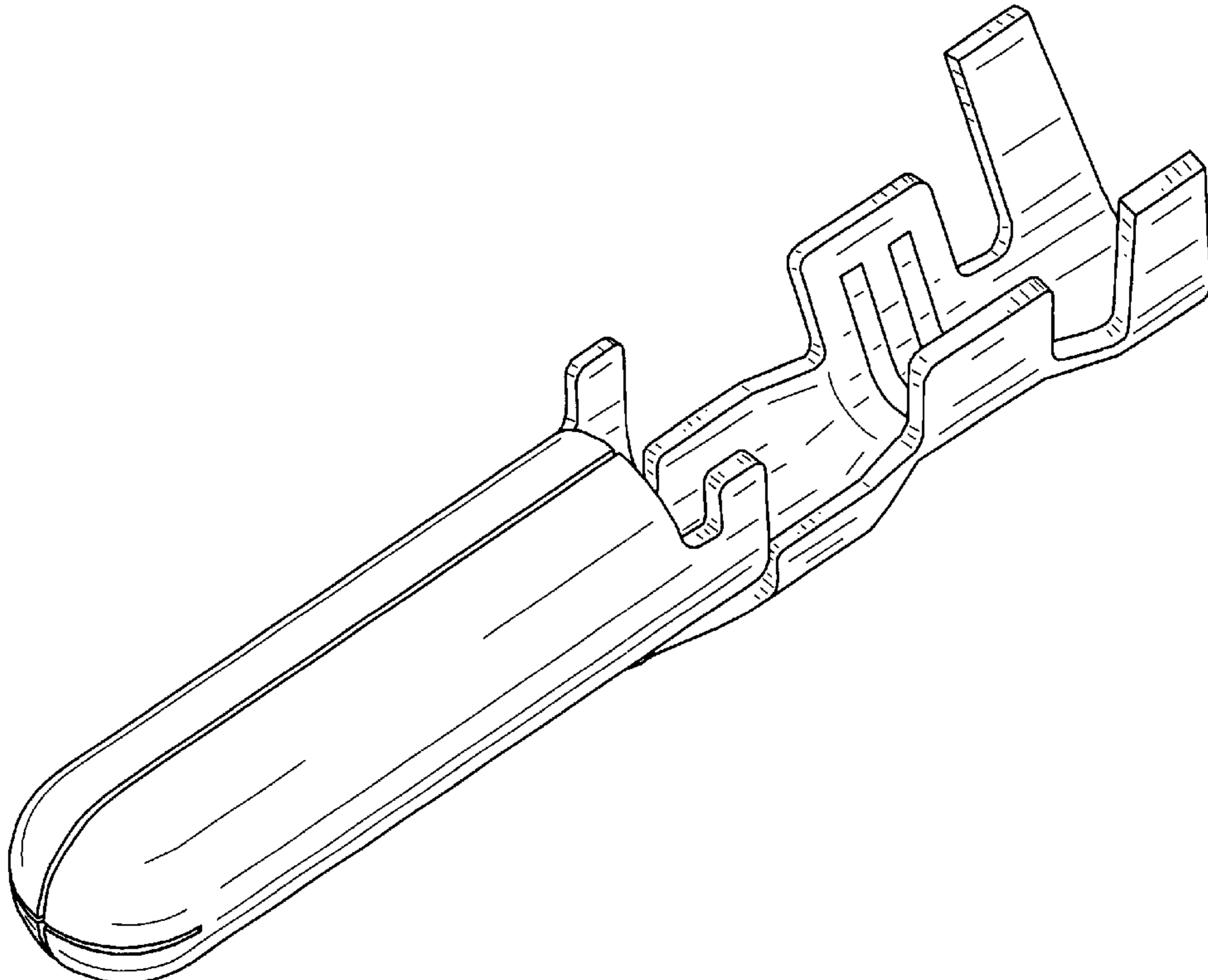


FIG. 1

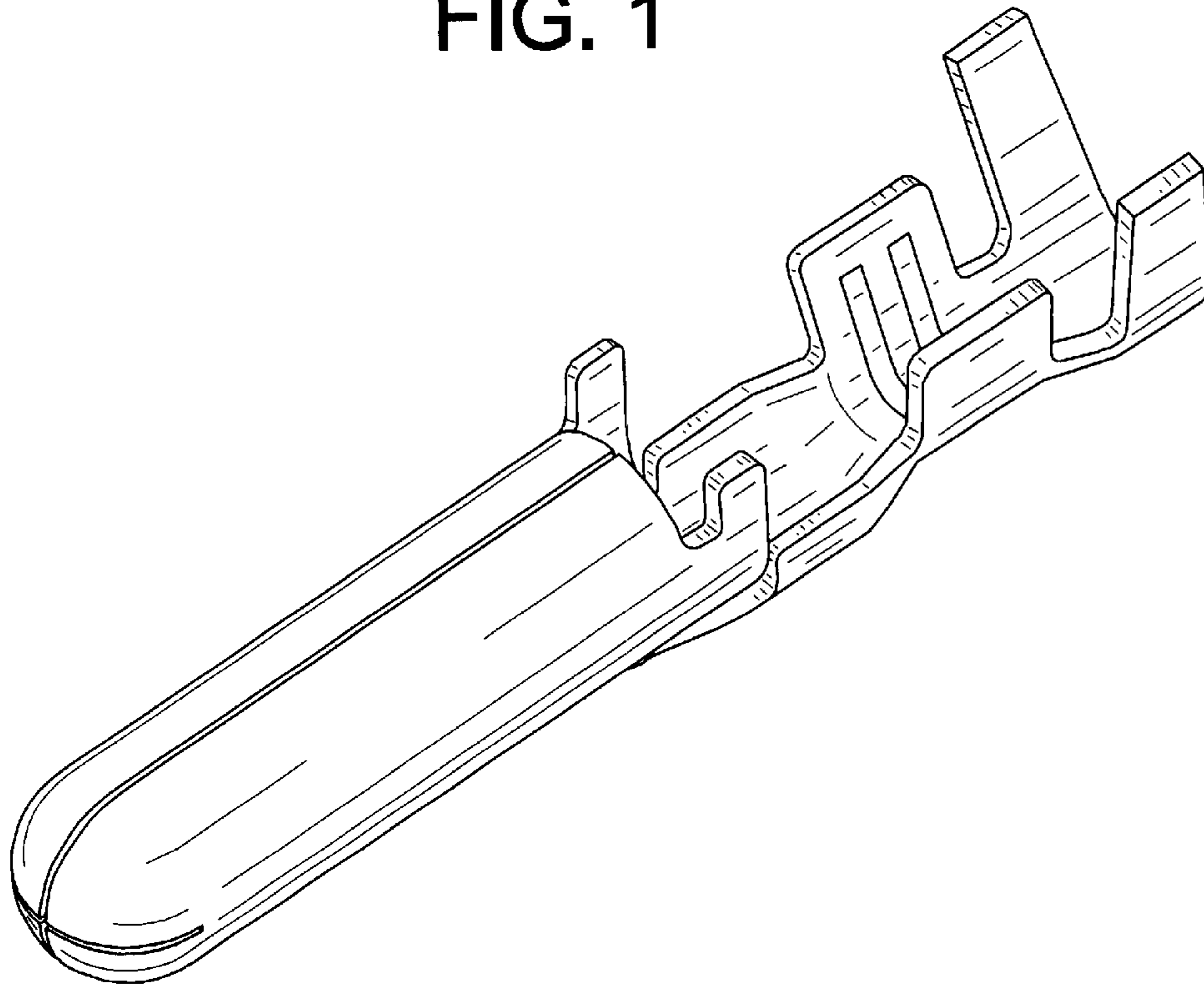


FIG. 2

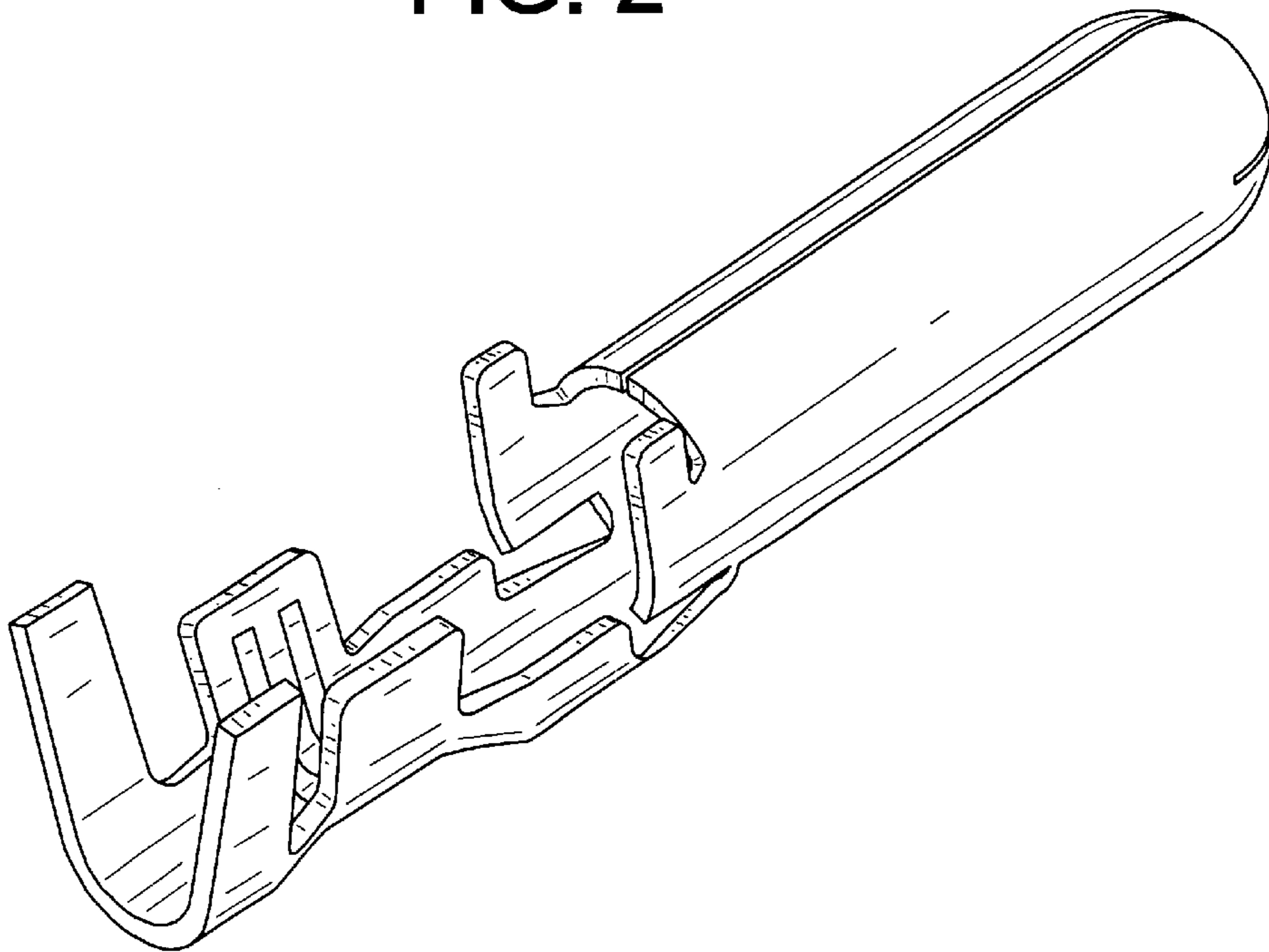


FIG. 3

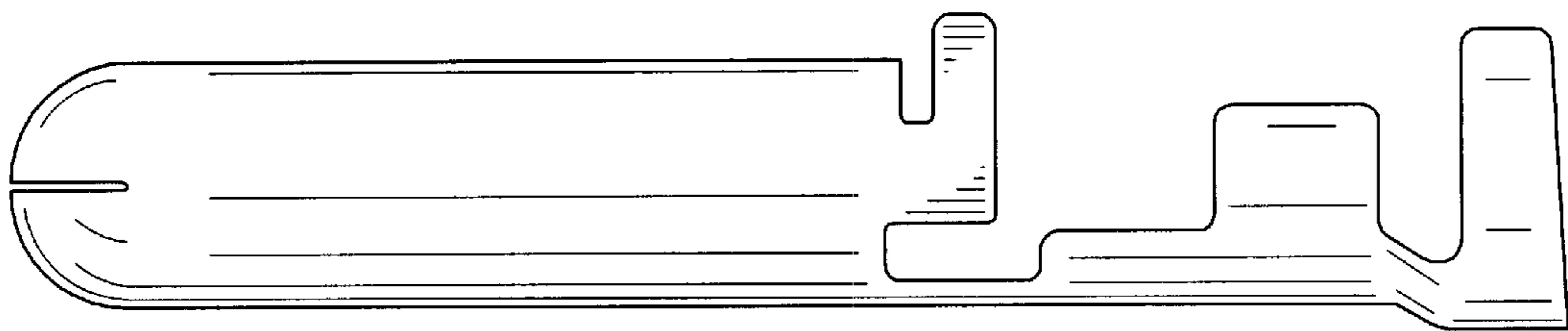


FIG. 4

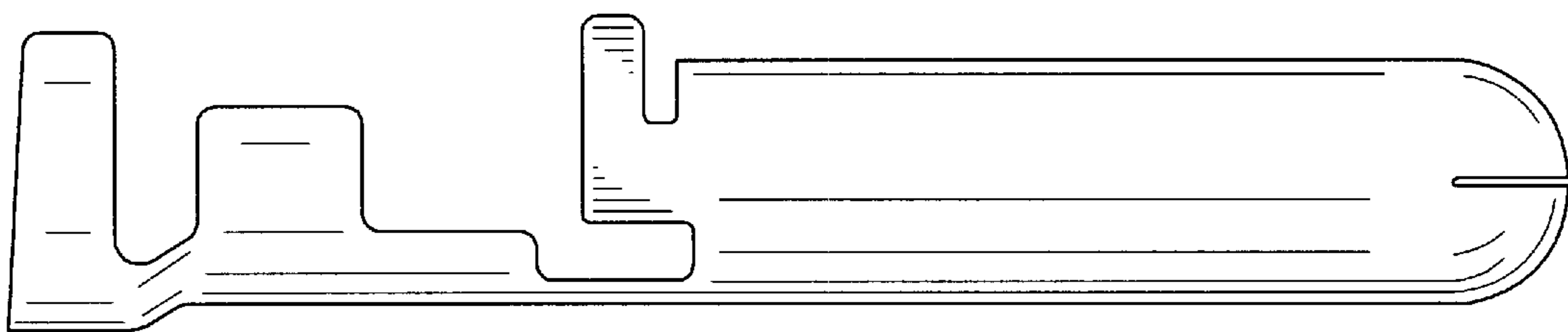


FIG. 5

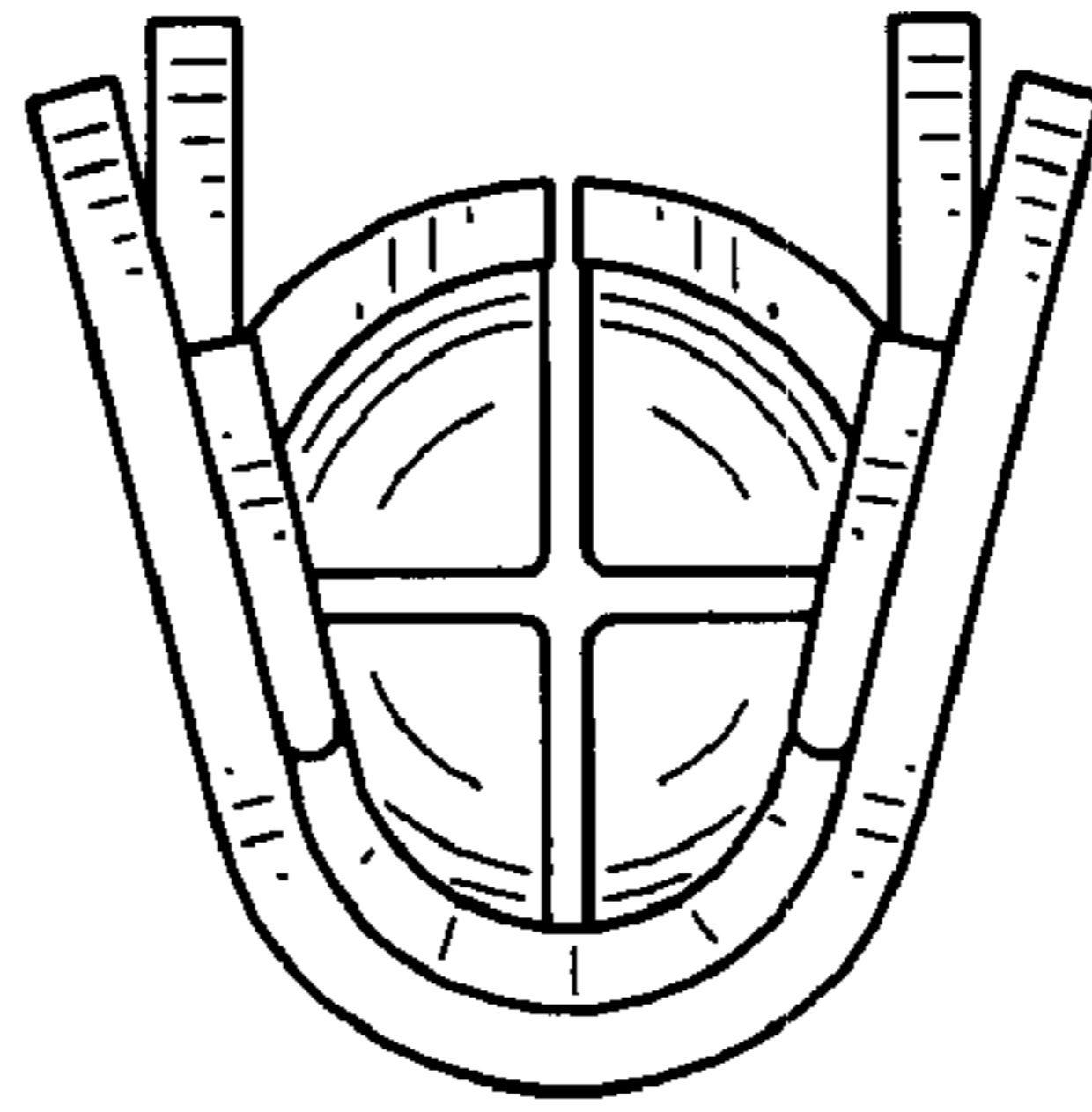


FIG. 6

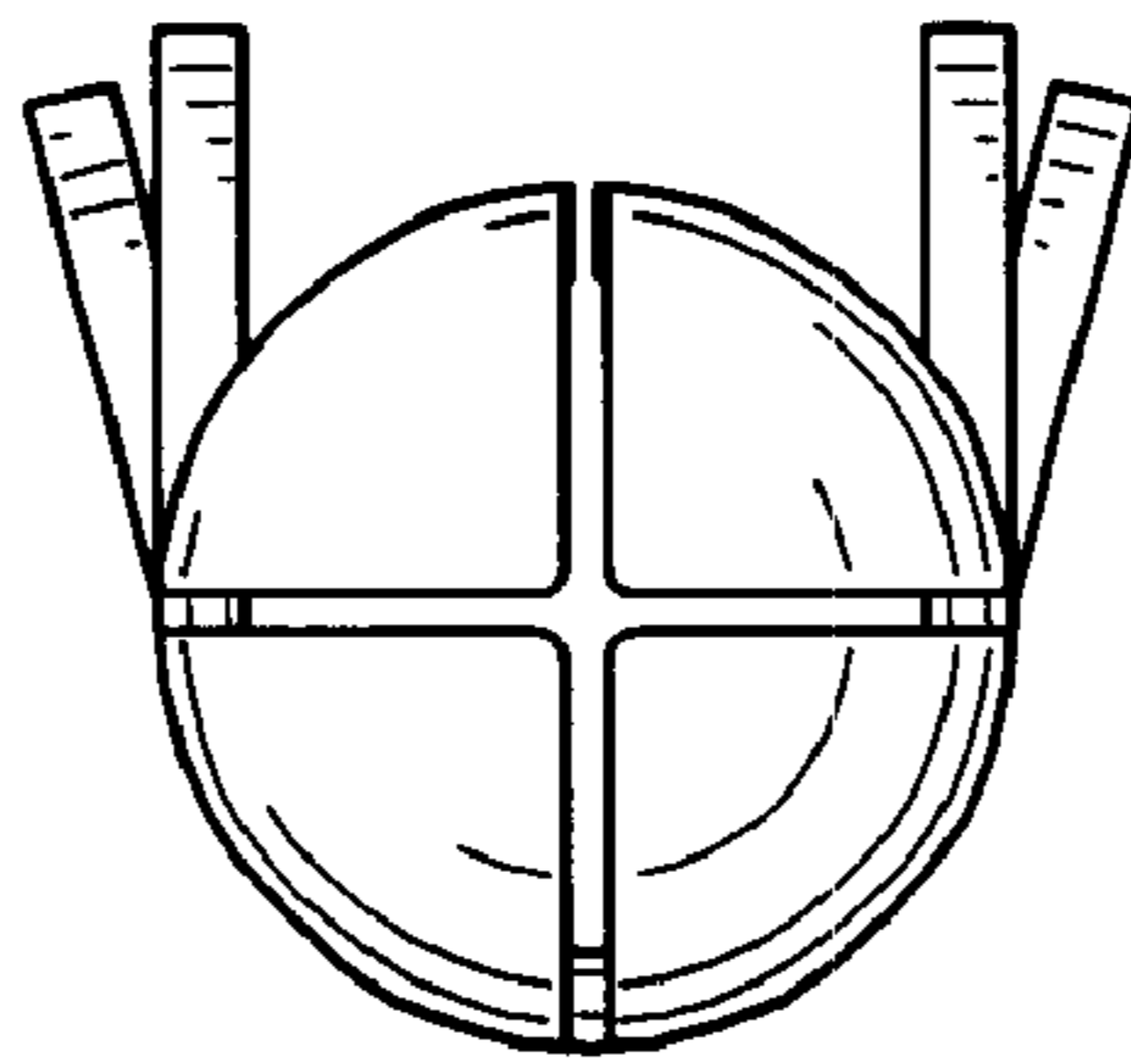


FIG. 7

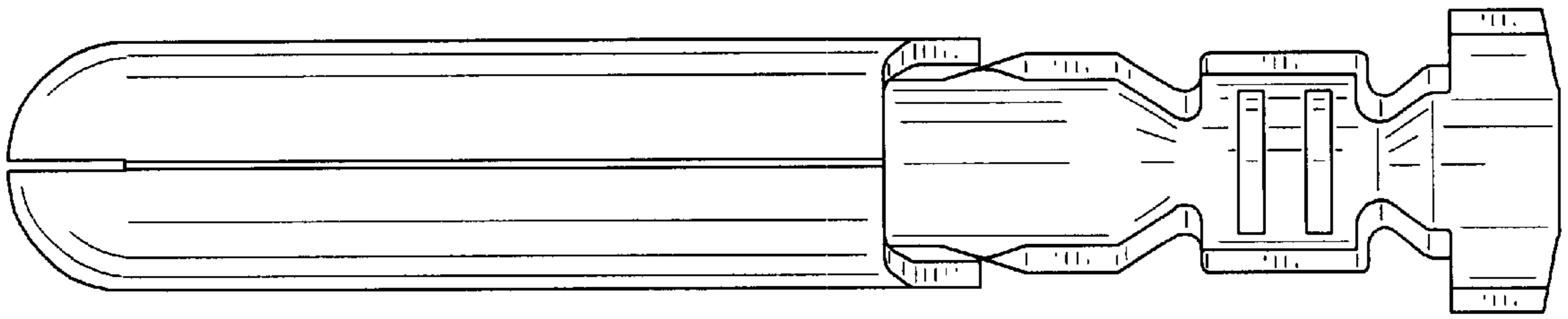


FIG. 8

