



US00D475021S

(12) **United States Design Patent**
Clements et al.

(10) **Patent No.:** **US D475,021 S**

(45) **Date of Patent:** **** May 27, 2003**

(54) **ELECTRICAL CONTACT**

(75) Inventors: **Bradley E Clements**, Ft Collins, CO
(US); **Joseph M White**, Windsor, CO
(US)

(73) Assignee: **Hewlett Packard Development
Company, L.P.**, Houston, TX (US)

(**) Term: **14 Years**

(21) Appl. No.: **29/145,447**

(22) Filed: **Jul. 23, 2001**

(51) **LOC (7) Cl.** **13-03**

(52) **U.S. Cl.** **D13/154**

(58) **Field of Search** D13/134, 154,
D13/182, 184, 199; 174/68.1, 255, 260,
261; 357/81; 361/752, 760, 761, 762, 764,
769, 776, 783; 369/258

(56) **References Cited**

U.S. PATENT DOCUMENTS

- 1,329,770 A * 2/1920 Johnston 174/255
- 3,659,035 A * 4/1972 Planzo 174/68.1
- 3,942,245 A * 3/1976 Jackson et al. 29/827
- 4,062,547 A * 12/1977 Dorren 369/239

- 4,924,353 A * 5/1990 Patraw 361/783
- 5,243,138 A * 9/1993 Guthke et al. 174/146
- 5,388,992 A * 2/1995 Franklin et al. 434/114
- D365,084 S * 12/1995 Suski et al. D13/154
- 6,286,205 B1 * 9/2001 Faraci et al. 29/837
- 6,326,905 B1 * 12/2001 Walters 341/16

* cited by examiner

Primary Examiner—Robert M. Spear
(74) *Attorney, Agent, or Firm*—Leslie P. Gehman

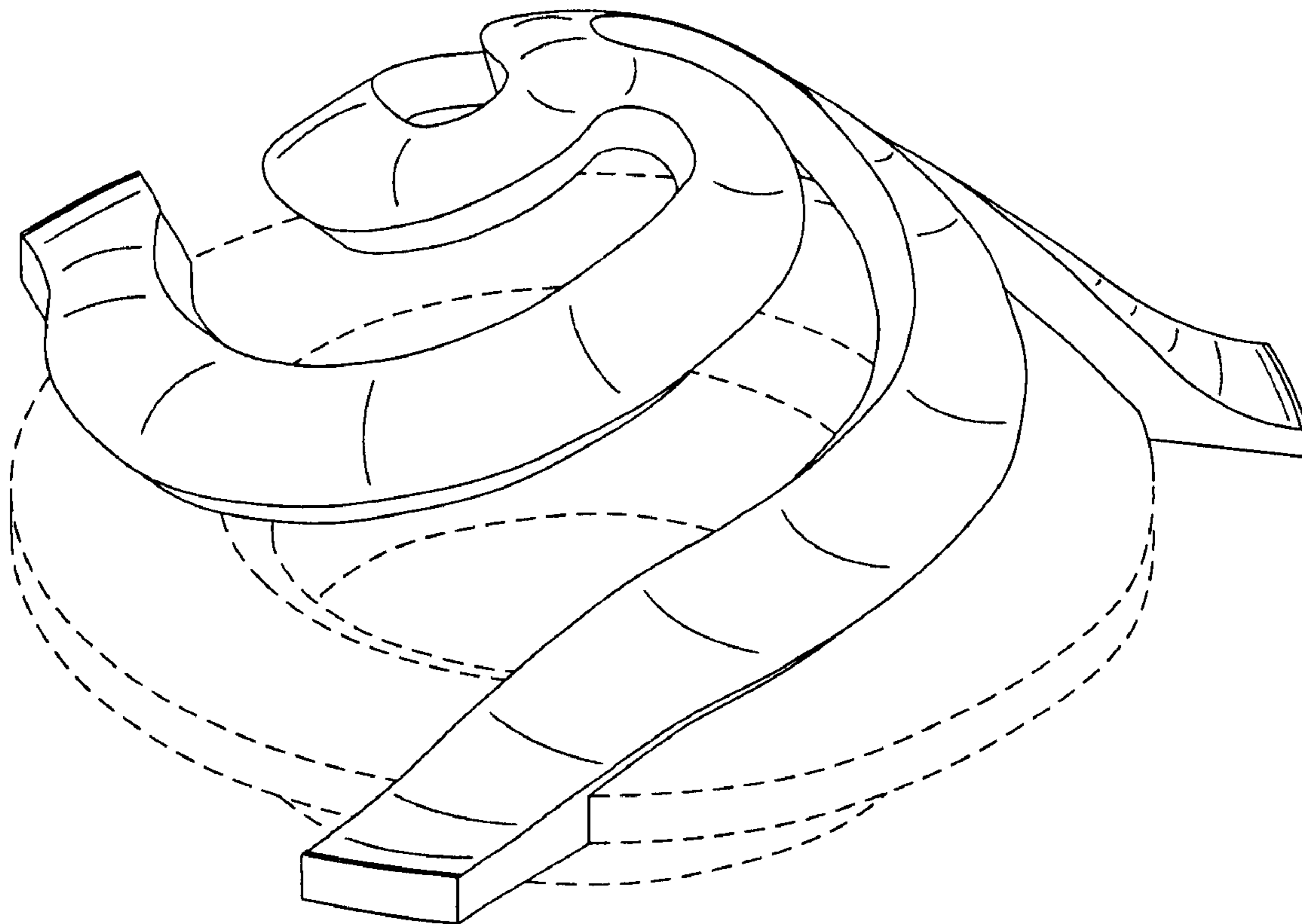
(57) **CLAIM**

The ornamental design for an electrical contact, as shown and described.

DESCRIPTION

FIG. 1 is an oblique view of an electrical contact showing the new design.
FIG. 2 is a top view of the electric contact of FIG. 1.
FIG. 3 is an oblique view of an alternate embodiment of the electrical contact of FIG. 1; and,
FIG. 4 is a top view of the electric contact of FIG. 3.
The broken line showing the through-plated hole and surrounding metal in FIGS. 1 through 4 is for illustrative purposes only and forms no part of the claimed design.

1 Claim, 4 Drawing Sheets



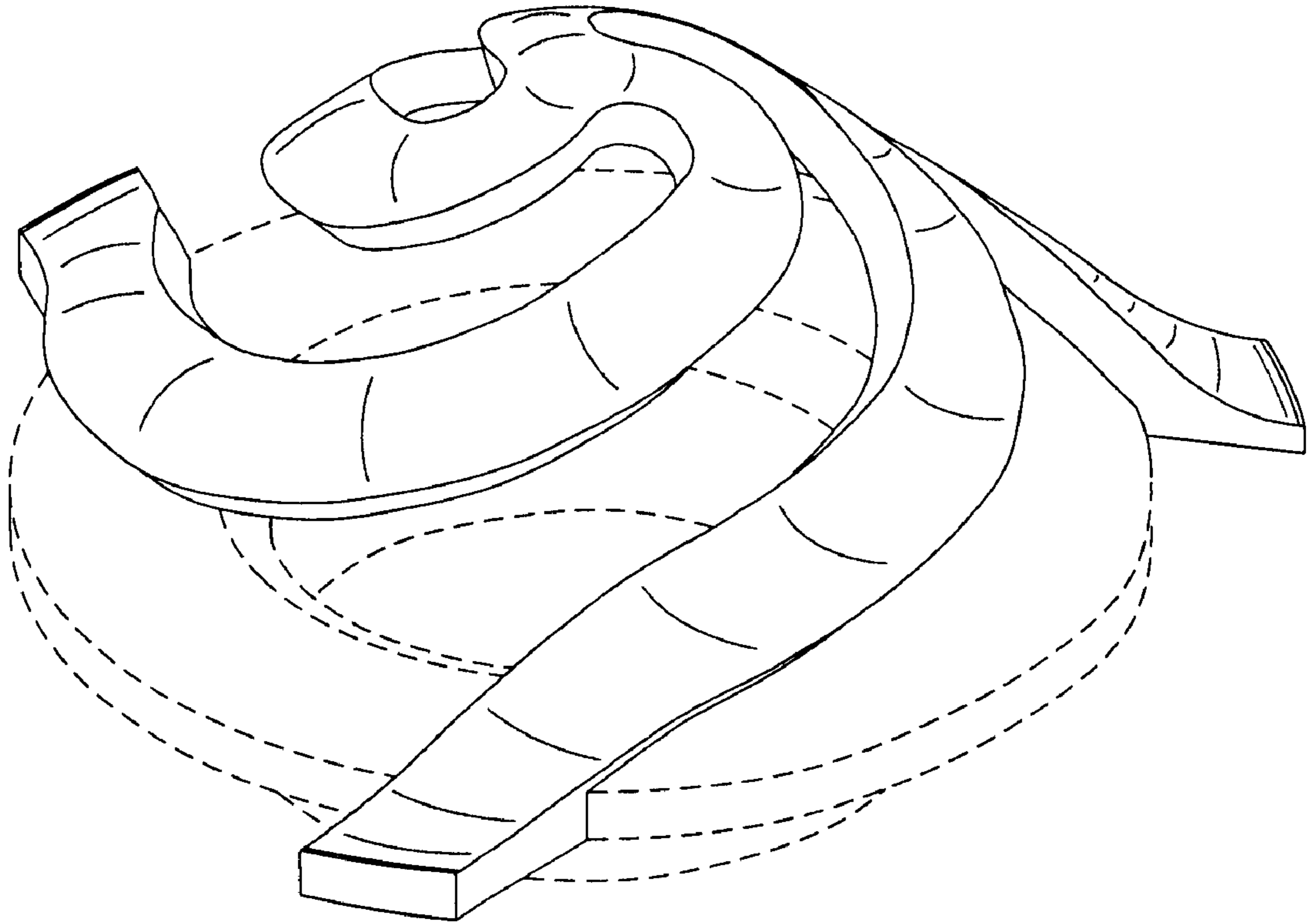


FIG. 1

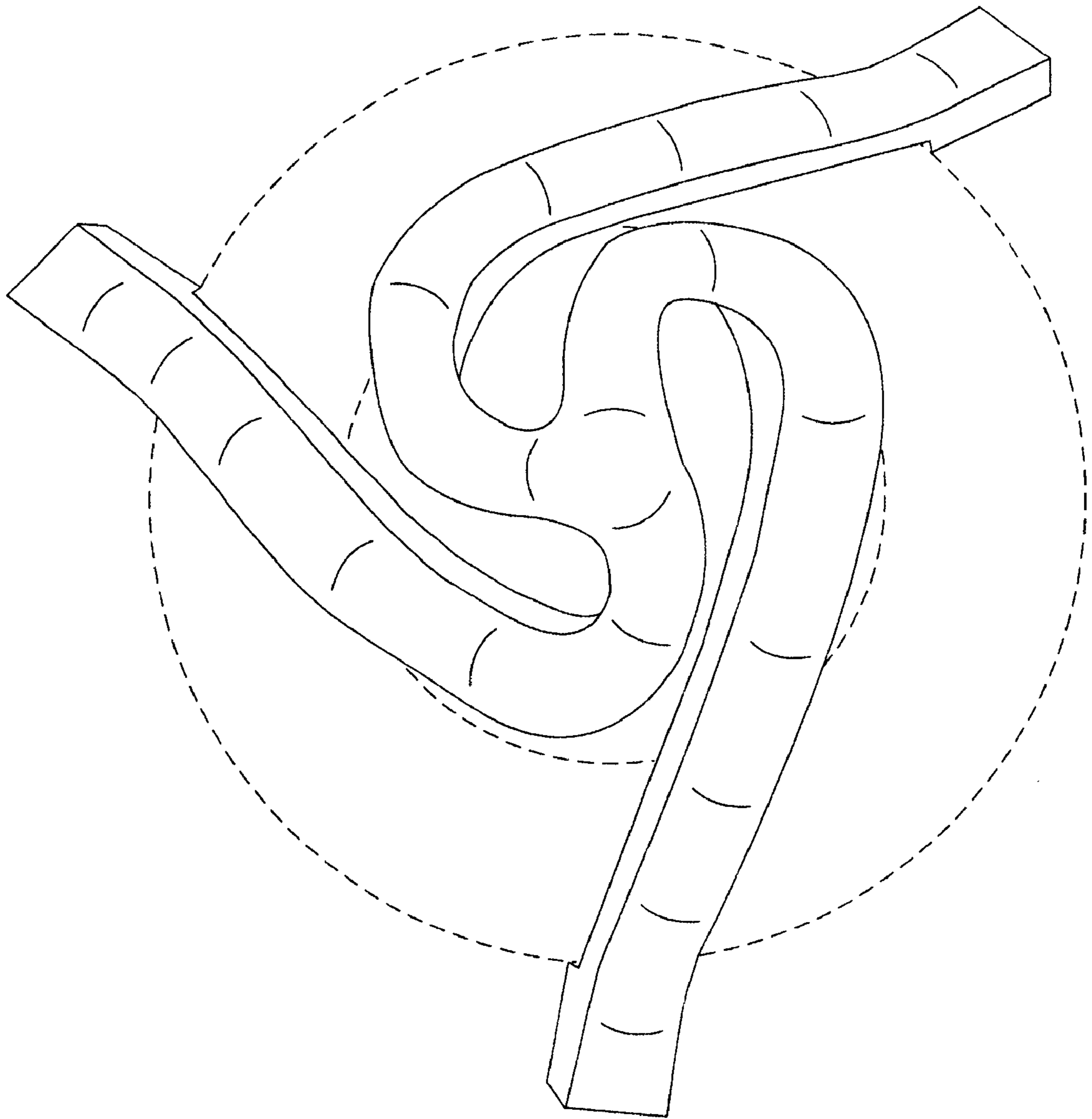


FIG. 2

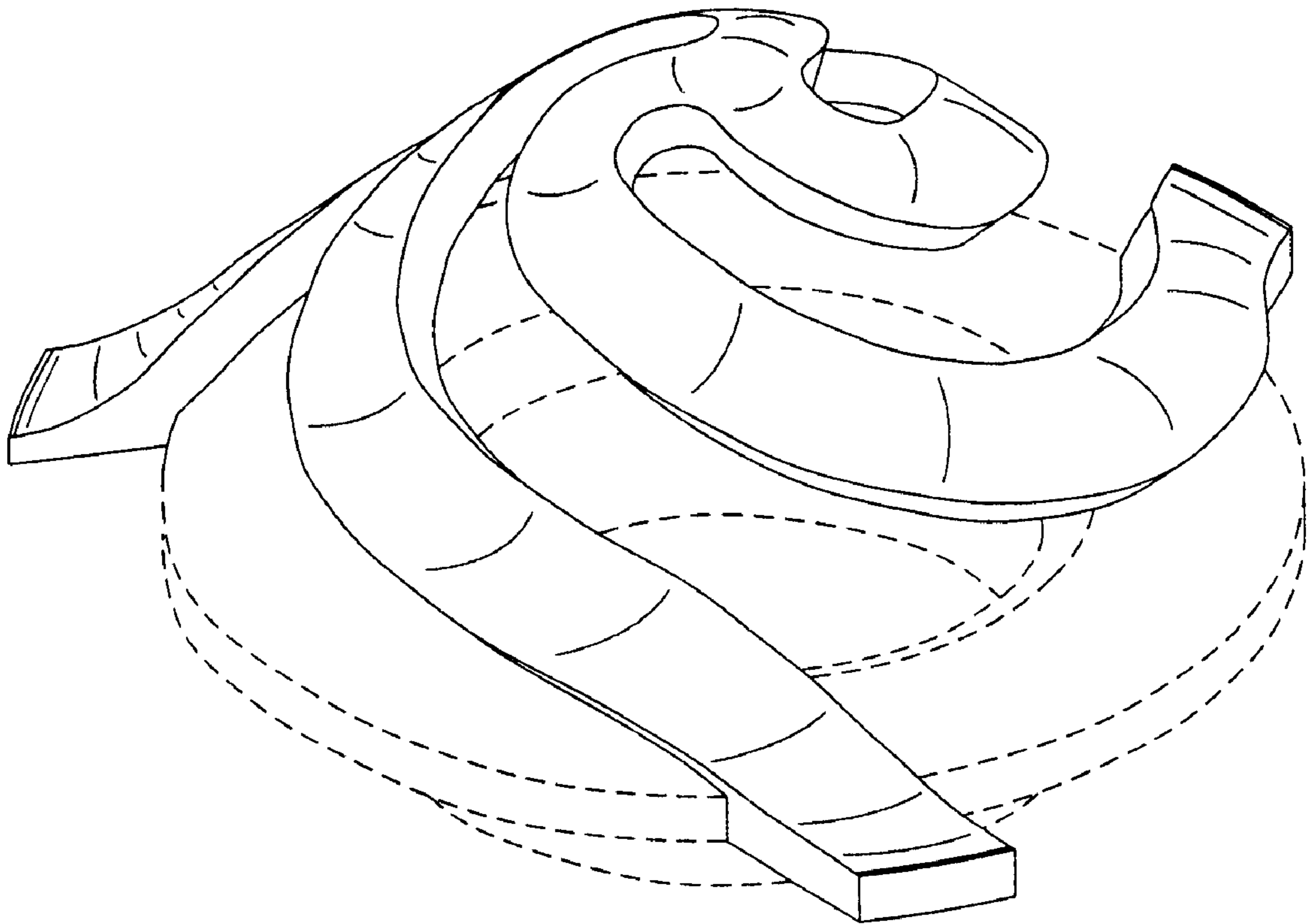


FIG. 3

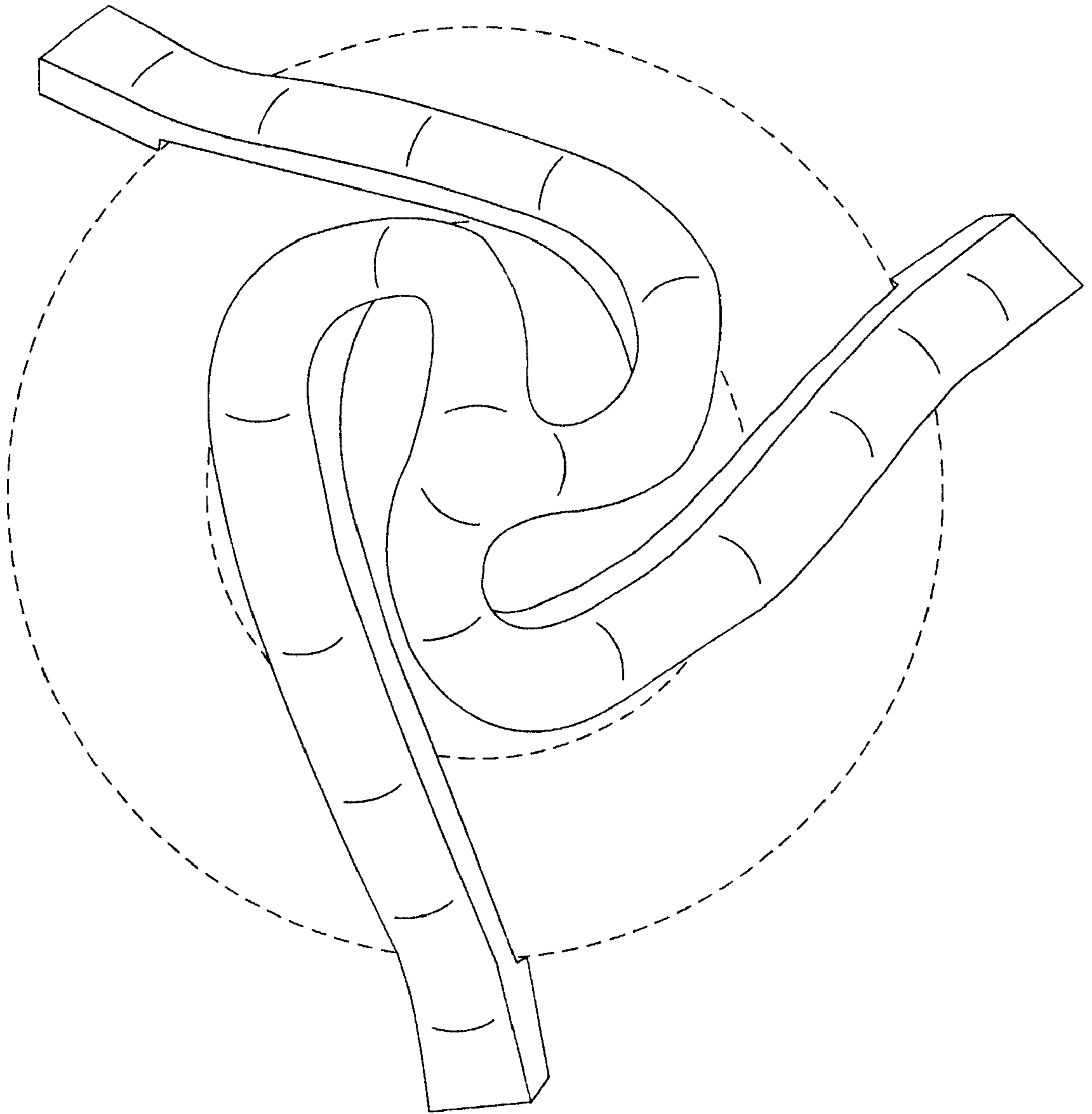


FIG. 4