



US00D475018S

(12) **United States Design Patent**  
**Ashida et al.**

(10) **Patent No.:** **US D475,018 S**

(45) **Date of Patent:** **\*\* May 27, 2003**

(54) **CONNECTOR PLUG FOR GAME MACHINE**

(56)

**References Cited**

(75) Inventors: **Kenichiro Ashida**, Kyoto (JP); **Junji Takamoto**, Kyoto (JP)

(73) Assignee: **Nintendo Co., Ltd.** (JP)

(\*\*) Term: **14 Years**

(21) Appl. No.: **29/164,965**

(22) Filed: **Aug. 5, 2002**

**Related U.S. Application Data**

(62) Division of application No. 29/136,509, filed on Feb. 2, 2001.

(30) **Foreign Application Priority Data**

Aug. 4, 2000	(JP)	.....	2000-21609
Aug. 4, 2000	(JP)	.....	2000-21610
Aug. 4, 2000	(JP)	.....	2000-21611
Aug. 4, 2000	(JP)	.....	2000-21612
Aug. 4, 2000	(JP)	.....	2000-21613
Aug. 4, 2000	(JP)	.....	2000-21614
Aug. 4, 2000	(JP)	.....	2000-21615
Aug. 4, 2000	(JP)	.....	2000-21616
Aug. 4, 2000	(JP)	.....	2000-21617
Aug. 4, 2000	(JP)	.....	2000-21618
Aug. 4, 2000	(JP)	.....	2000-21619

(51) **LOC (7) Cl.** ..... **13-03**

(52) **U.S. Cl.** ..... **D13/147**

(58) **Field of Search** ..... D13/146, 147;  
439/352, 607, 610, 686

**U.S. PATENT DOCUMENTS**

4,990,103	A	2/1991	Sazaki et al.	
D333,293	S	2/1993	Ashida	
D381,628	S	7/1997	Ashida	
D413,100	S	* 8/1999	Nakazawa	..... D13/146
D419,525	S	1/2000	Arai	
D429,484	S	* 8/2000	Nishio et al.	..... D13/147
D434,381	S	* 11/2000	Shimojyo	..... D13/147
D444,129	S	* 6/2001	Arai	..... D13/147
D445,402	S	7/2001	Arai	
D447,465	S	9/2001	Arai	
D447,732	S	9/2001	Arai	

\* cited by examiner

*Primary Examiner*—Joel Sincavage

(74) *Attorney, Agent, or Firm*—Nixon & Vanderhye P.C.

(57)

**CLAIM**

The ornamental design for a “connector plug for game machine”, as shown and described.

**DESCRIPTION**

FIG. 1 is a front elevational view of a connector plug for game machine, the rear elevational view being a mirror image thereof;

FIG. 2 is a top plan view thereof;

FIG. 3 is a bottom plan view thereof;

FIG. 4 is a right side view thereof; and,

FIG. 5 is a left side view thereof.

**1 Claim, 2 Drawing Sheets**

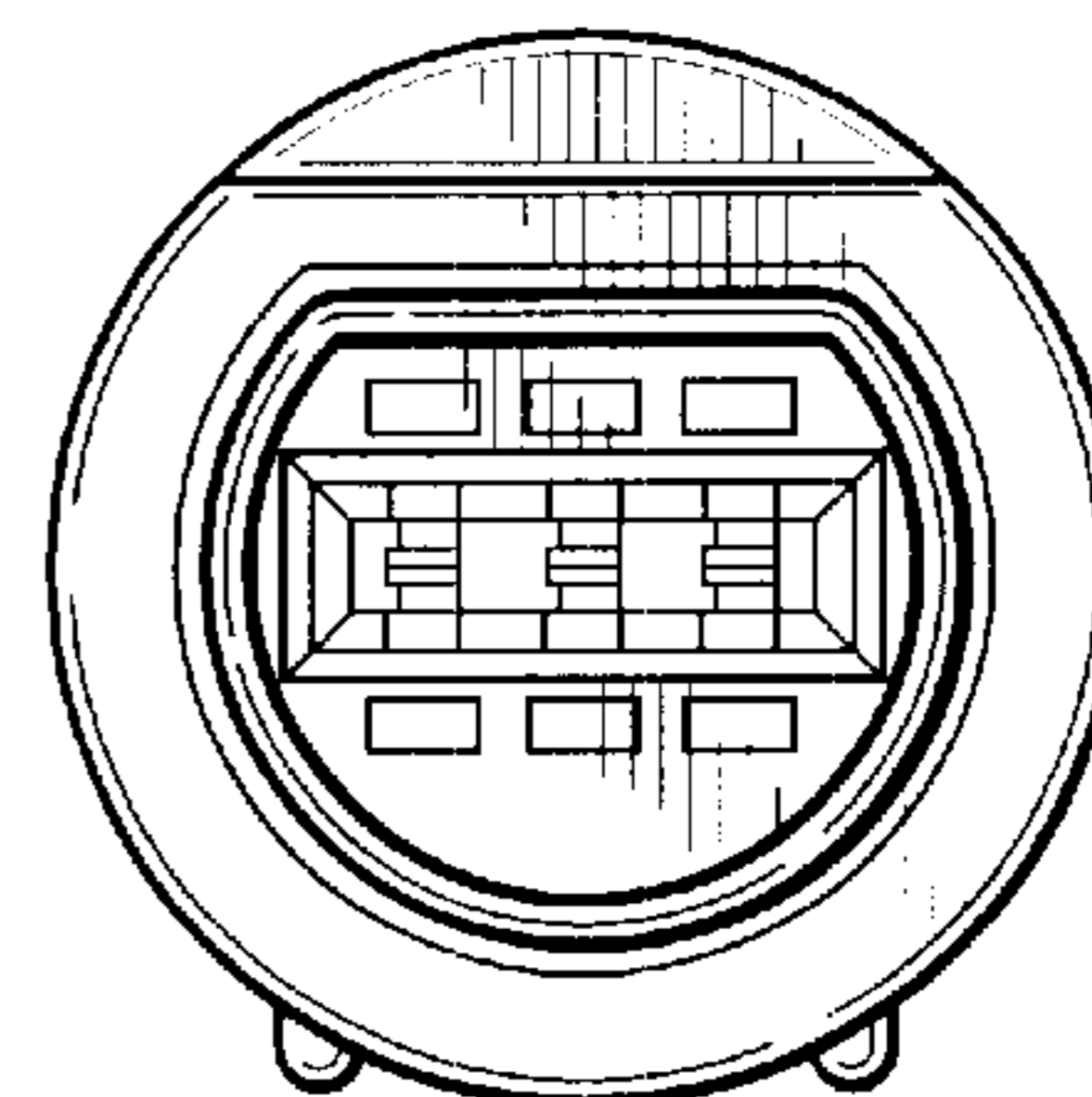
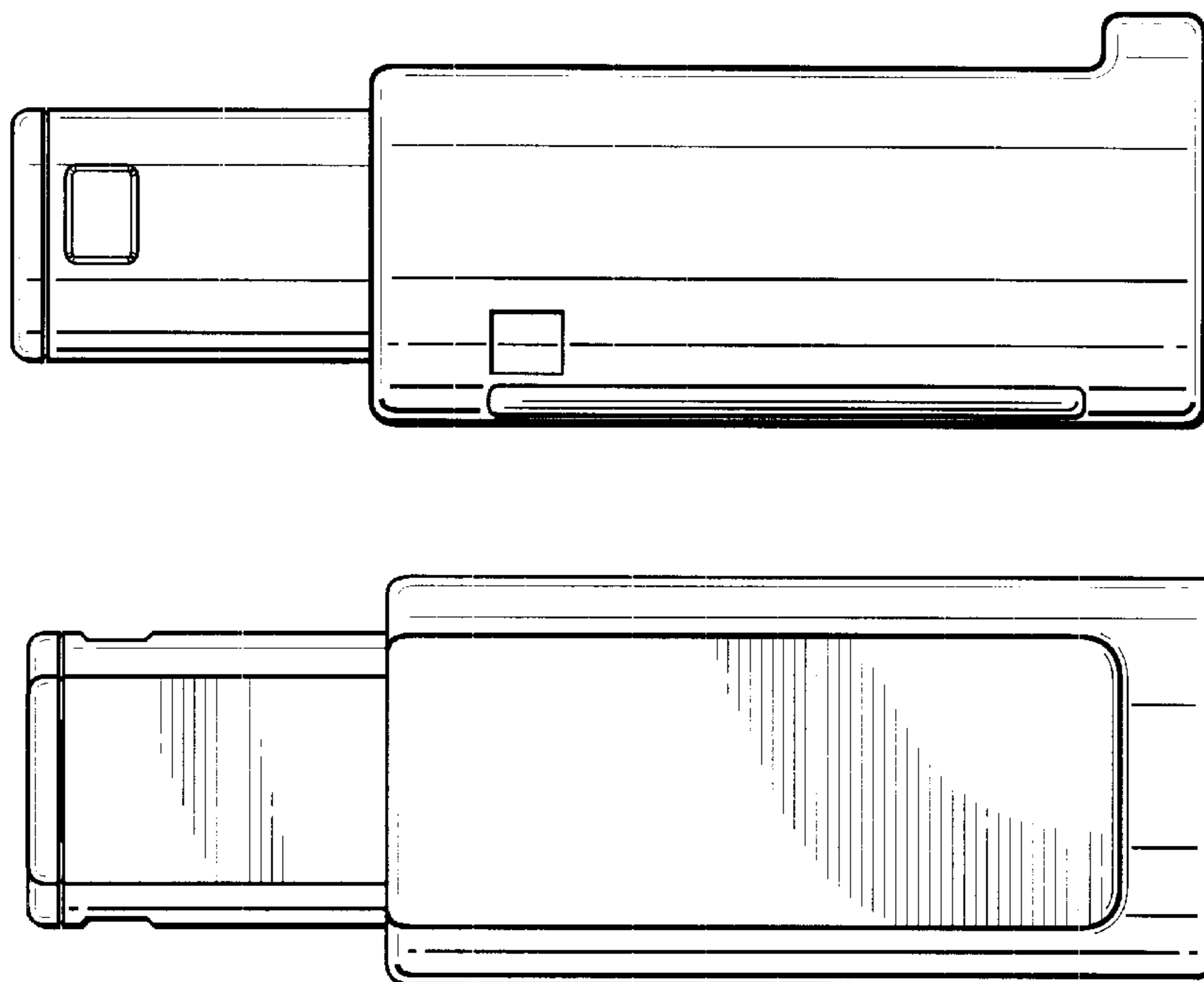


Fig. 1

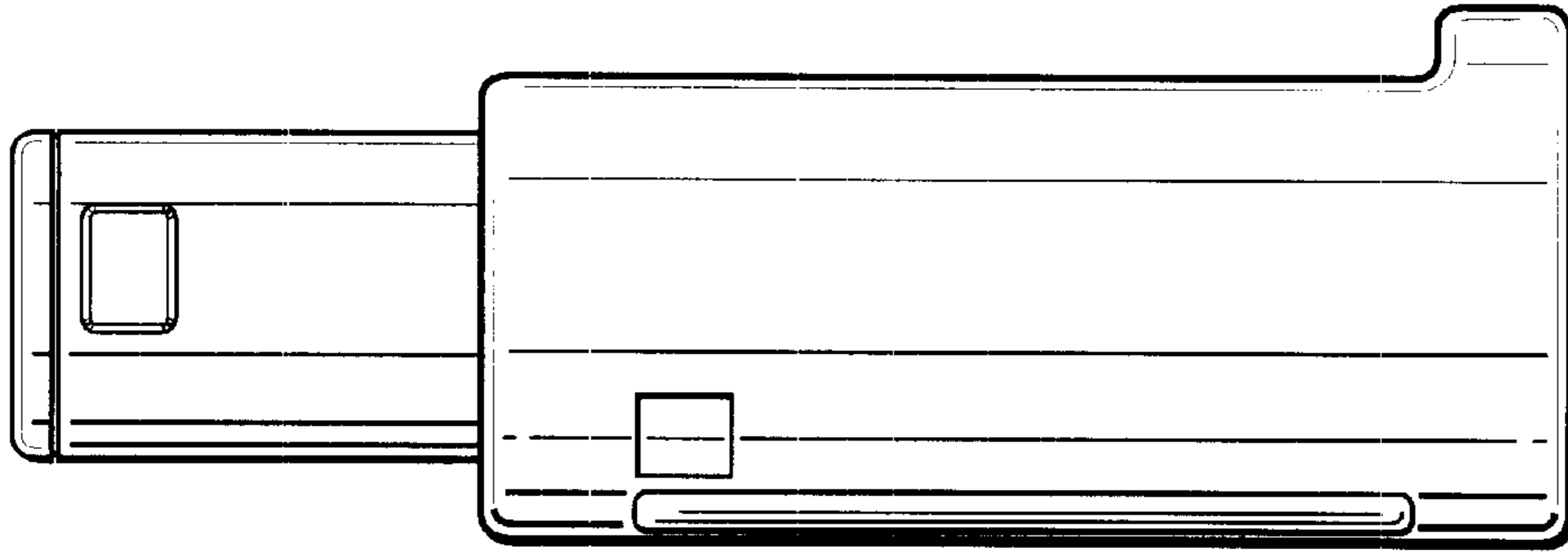


Fig. 2

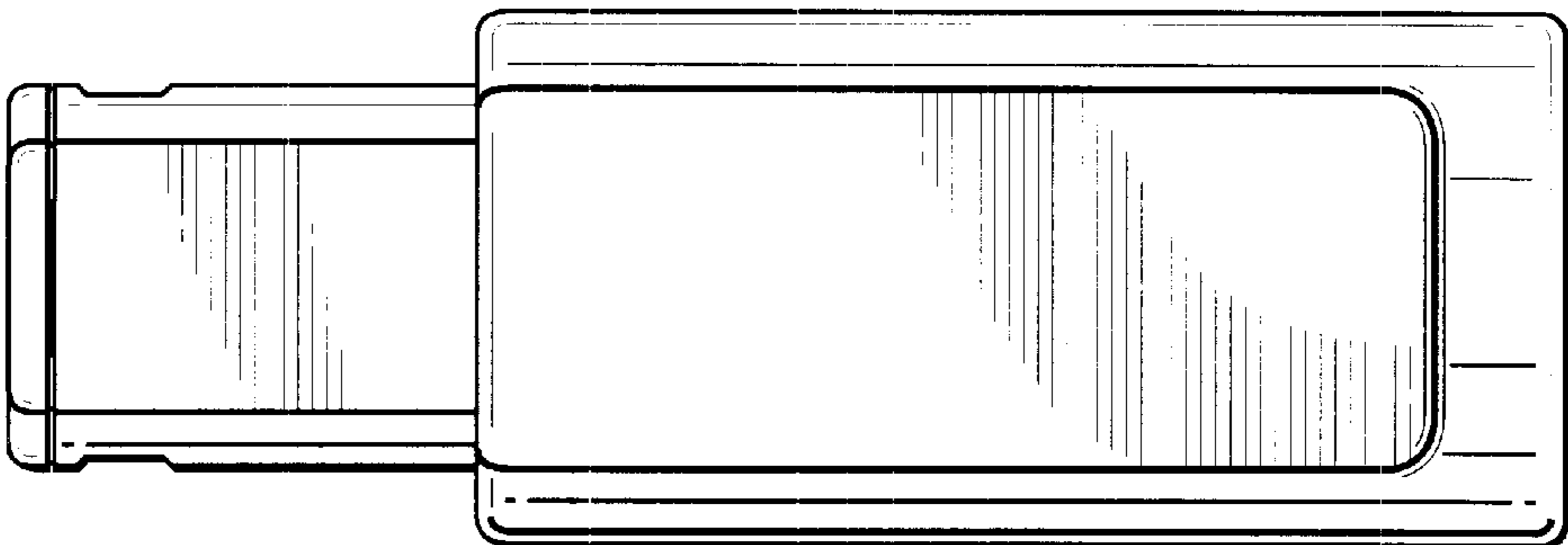


Fig. 3

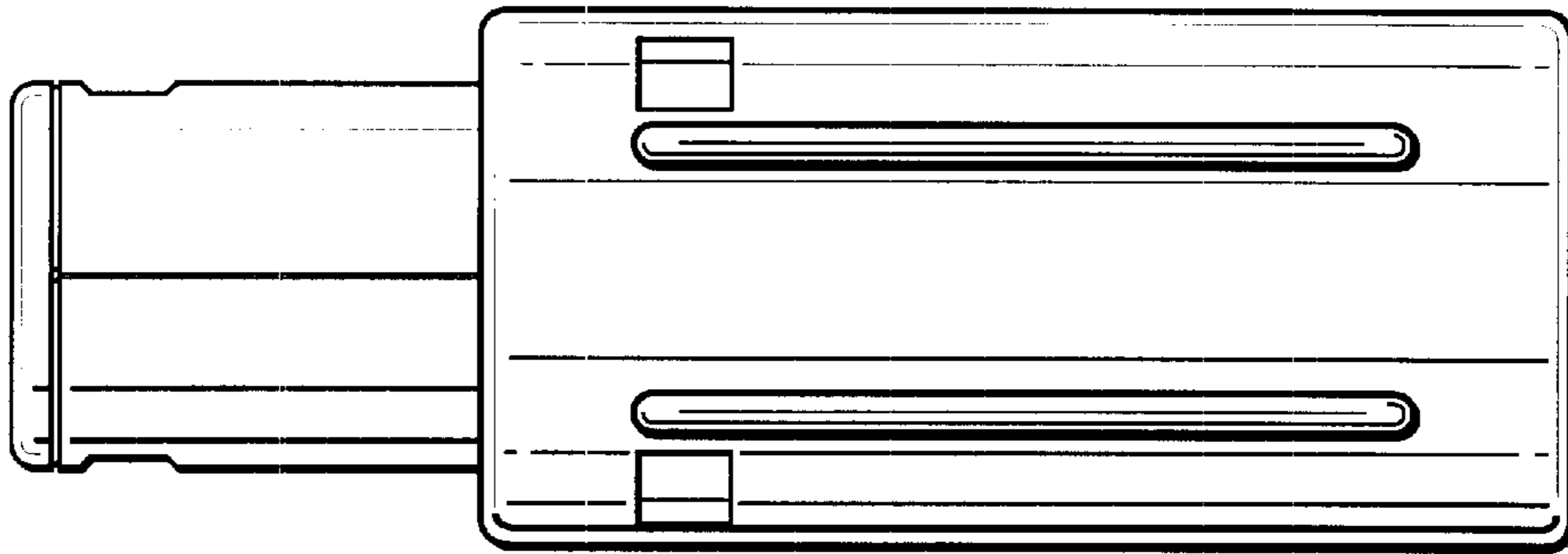


Fig. 4

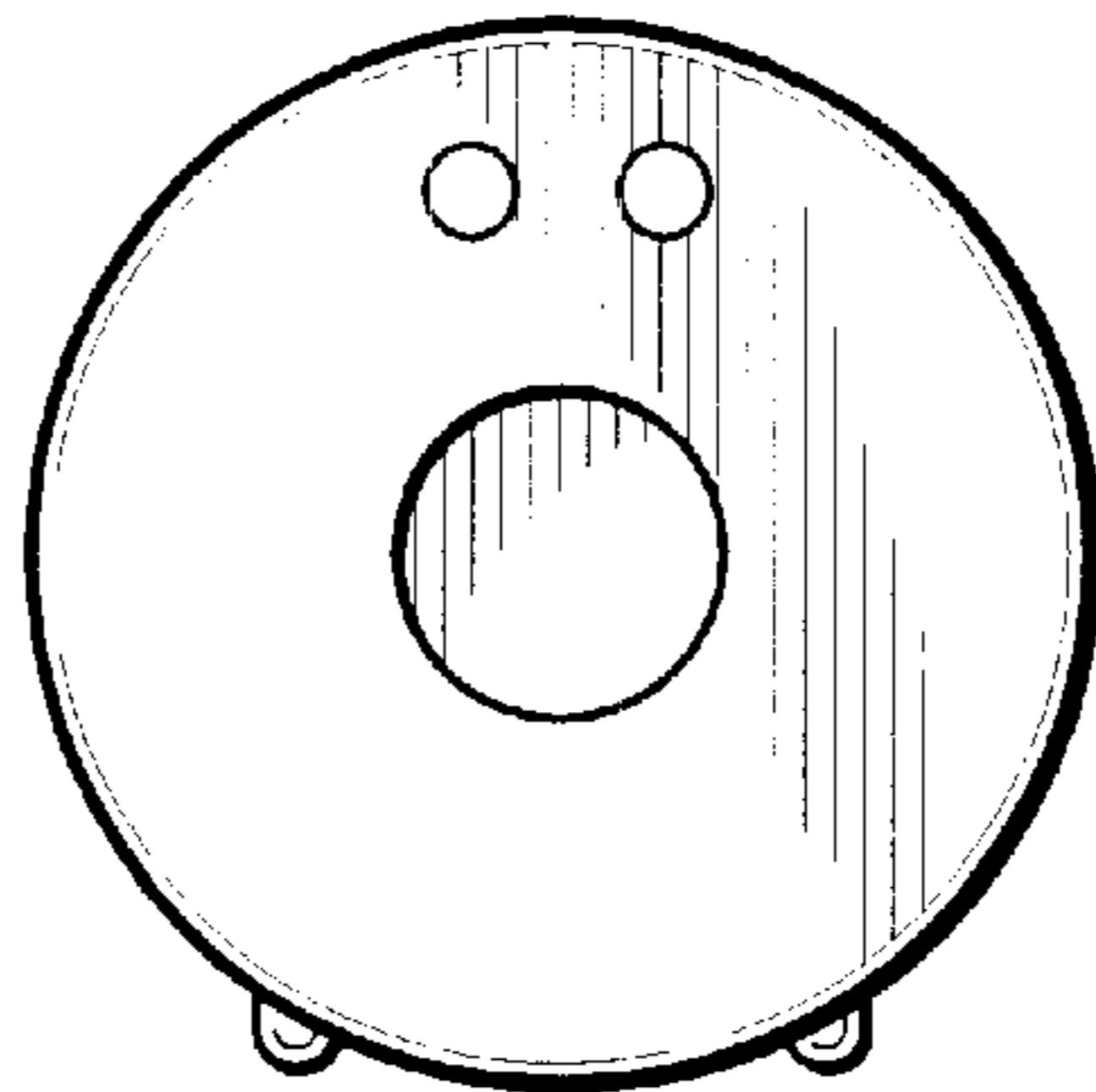


Fig. 5

