



US00D475017S

(12) **United States Design Patent**
Naganawa et al.

(10) **Patent No.:** **US D475,017 S**

(45) **Date of Patent:** **** May 27, 2003**

(54) **ELECTRIC CONNECTOR**

(75) Inventors: **Masato Naganawa, Minoo (JP);
Katsuyoshi Fujiwara, Itami (JP);
Daisuke Kubo, Moriguchi (JP)**

(73) Assignee: **J.S.T. Mfg. Co., Ltd., Osaka (JP)**

(**) Term: **14 Years**

(21) Appl. No.: **29/162,289**

(22) Filed: **Jun. 14, 2002**

(30) **Foreign Application Priority Data**

Dec. 25, 2001 (JP) 2001-037892

(51) **LOC (7) Cl.** **13-03**

(52) **U.S. Cl.** **D13/147**

(58) **Field of Search** D13/133, 146,
D13/147; 439/350, 352, 399, 557, 701,
942

(56) **References Cited**

U.S. PATENT DOCUMENTS

- 4,235,502 A * 11/1980 Marks et al. 439/557
- 4,255,009 A * 3/1981 Clark 439/398
- 4,693,536 A * 9/1987 Colleran et al. 439/404
- D333,653 S * 3/1993 Yamanashi D13/147
- D388,767 S * 1/1998 Akins D13/133

- 6,036,550 A * 3/2000 Naganawa et al. 439/701
- 6,068,522 A * 5/2000 Aoyama et al. 439/701
- D451,074 S * 11/2001 Morita D13/147
- D462,053 S * 8/2002 Kuroda et al. D13/133
- 2002/0106942 A1 * 8/2002 Sakurai et al. 439/352
- 2002/0182921 A1 * 12/2002 Otto et al. 439/701

* cited by examiner

Primary Examiner—Joel Sincavage

(74) *Attorney, Agent, or Firm*—Antonelli, Terry, Stout & Kraus, LLP

(57) **CLAIM**

The ornamental design for an electric connector, as shown and described.

DESCRIPTION

FIG. 1 is a top plan view;
 FIG. 2 is a front elevation;
 FIG. 3 is a bottom plan view;
 FIG. 4 is a left-side elevation;
 FIG. 5 is a rear elevation;
 FIG. 6 is a cross section taken along the line 6—6 in FIG. 2;
 and,
 FIG. 7 is a perspective view.
 A right-side elevation appearing symmetrical with the left-side one is excluded from the drawings.

1 Claim, 3 Drawing Sheets

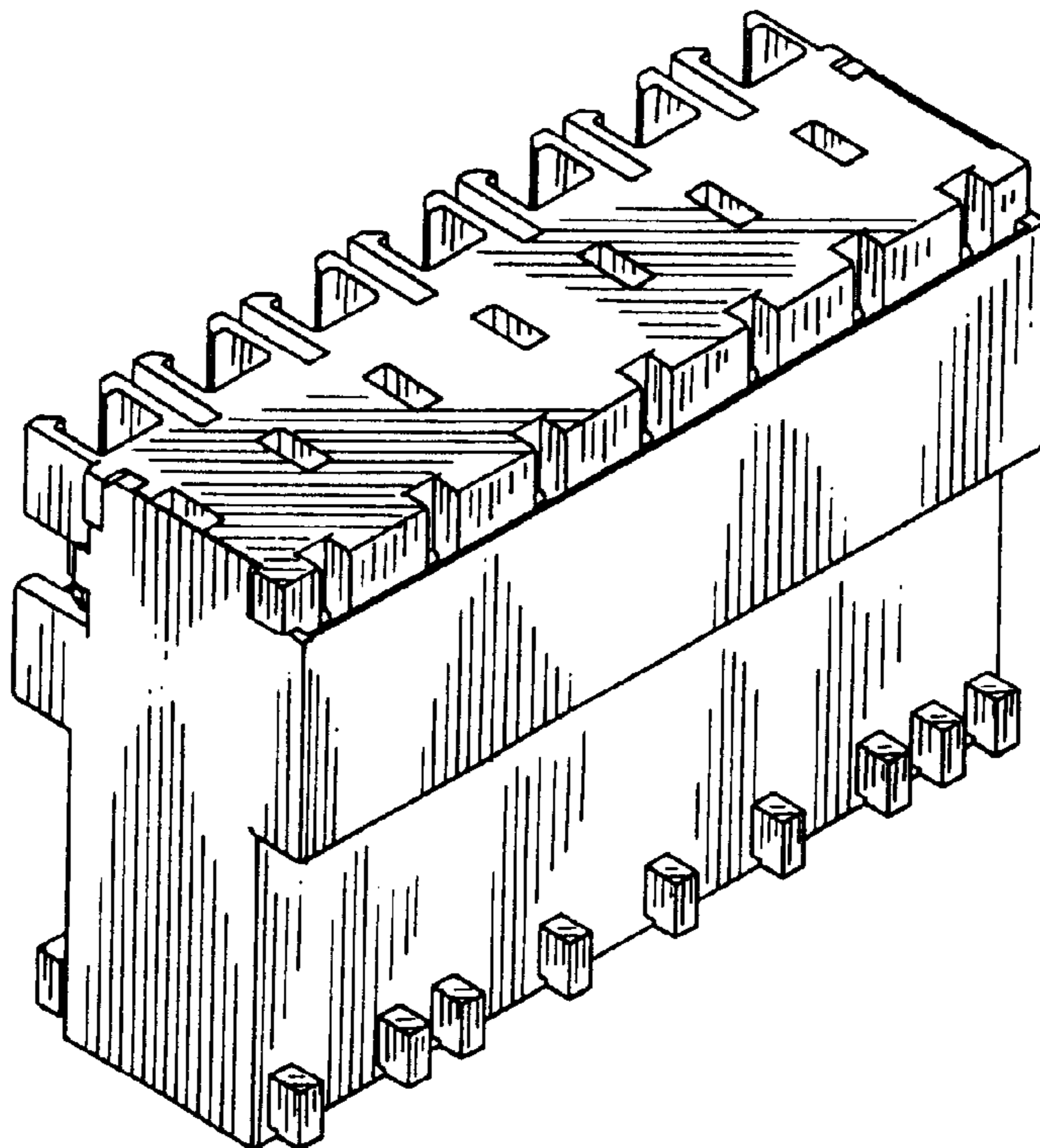


Fig.1

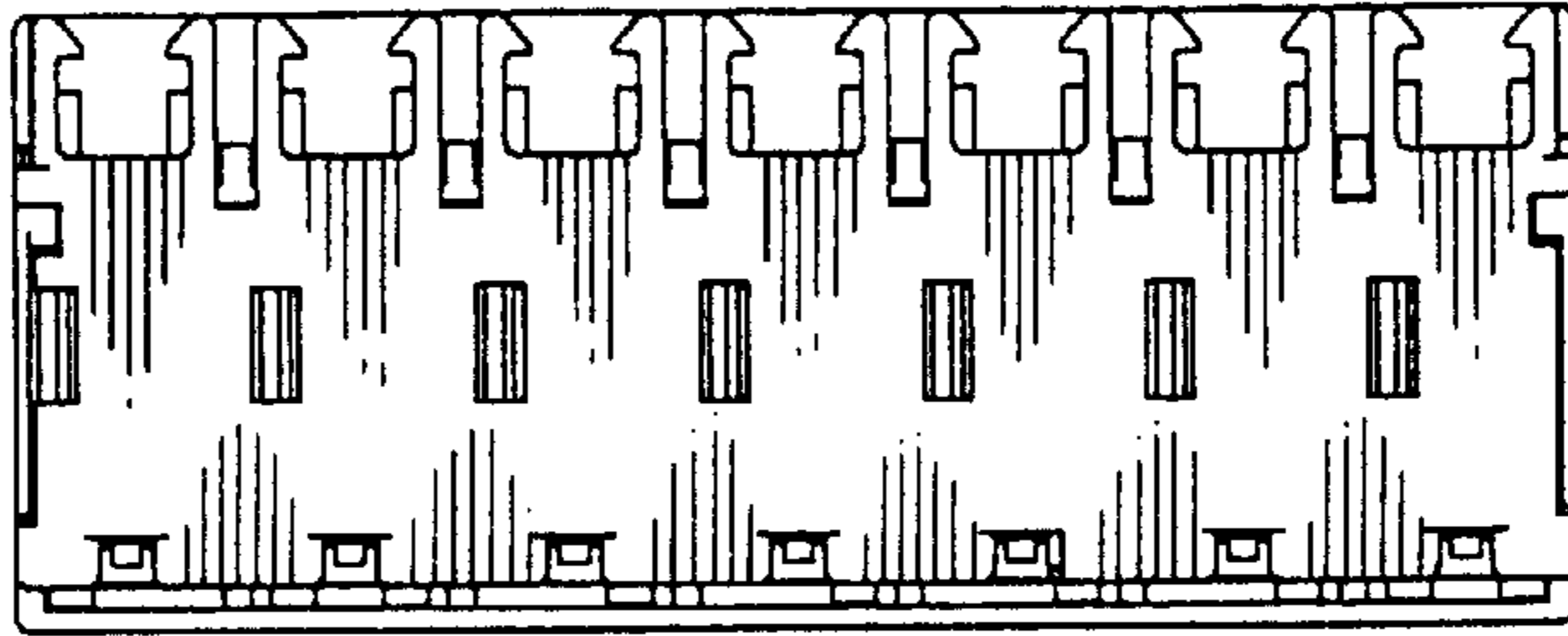
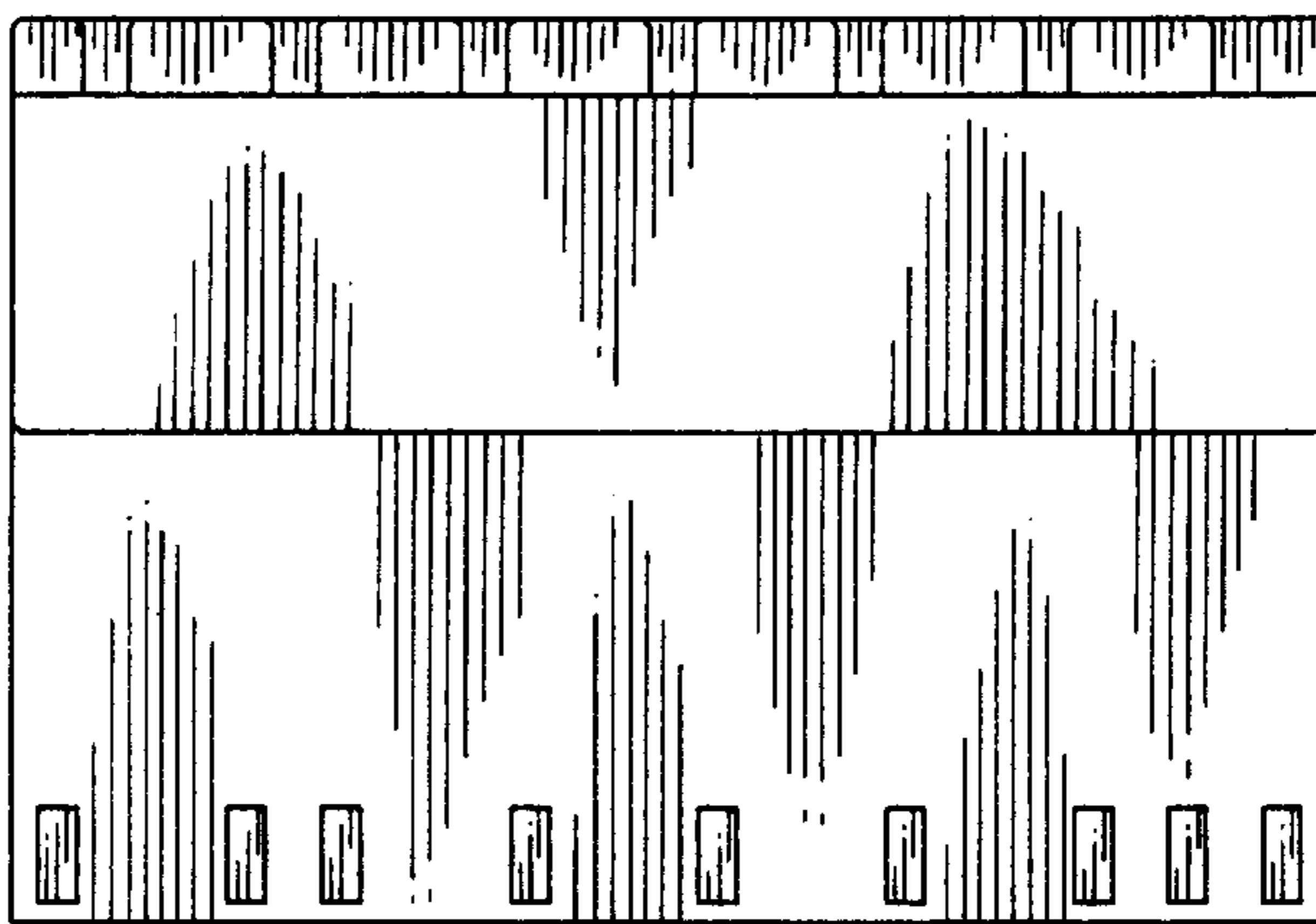


Fig.2

6 →



6 →

Fig.3

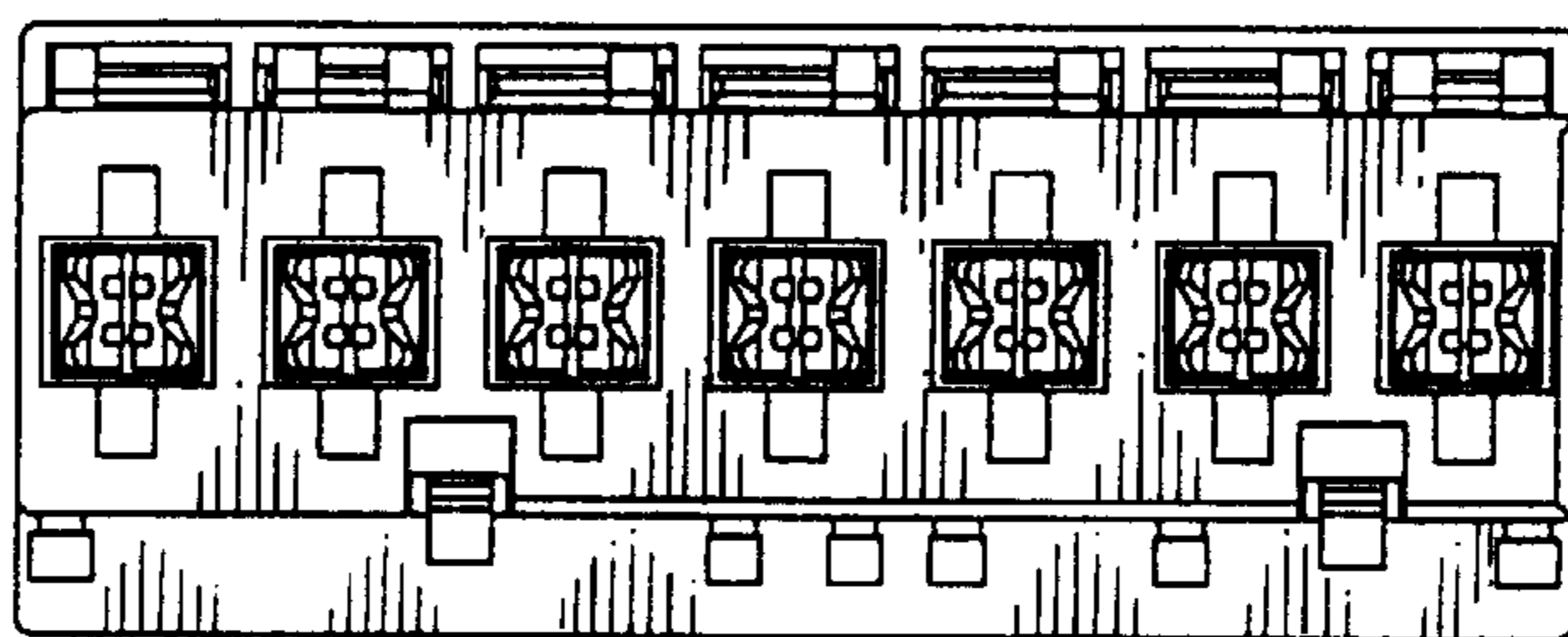


Fig.4

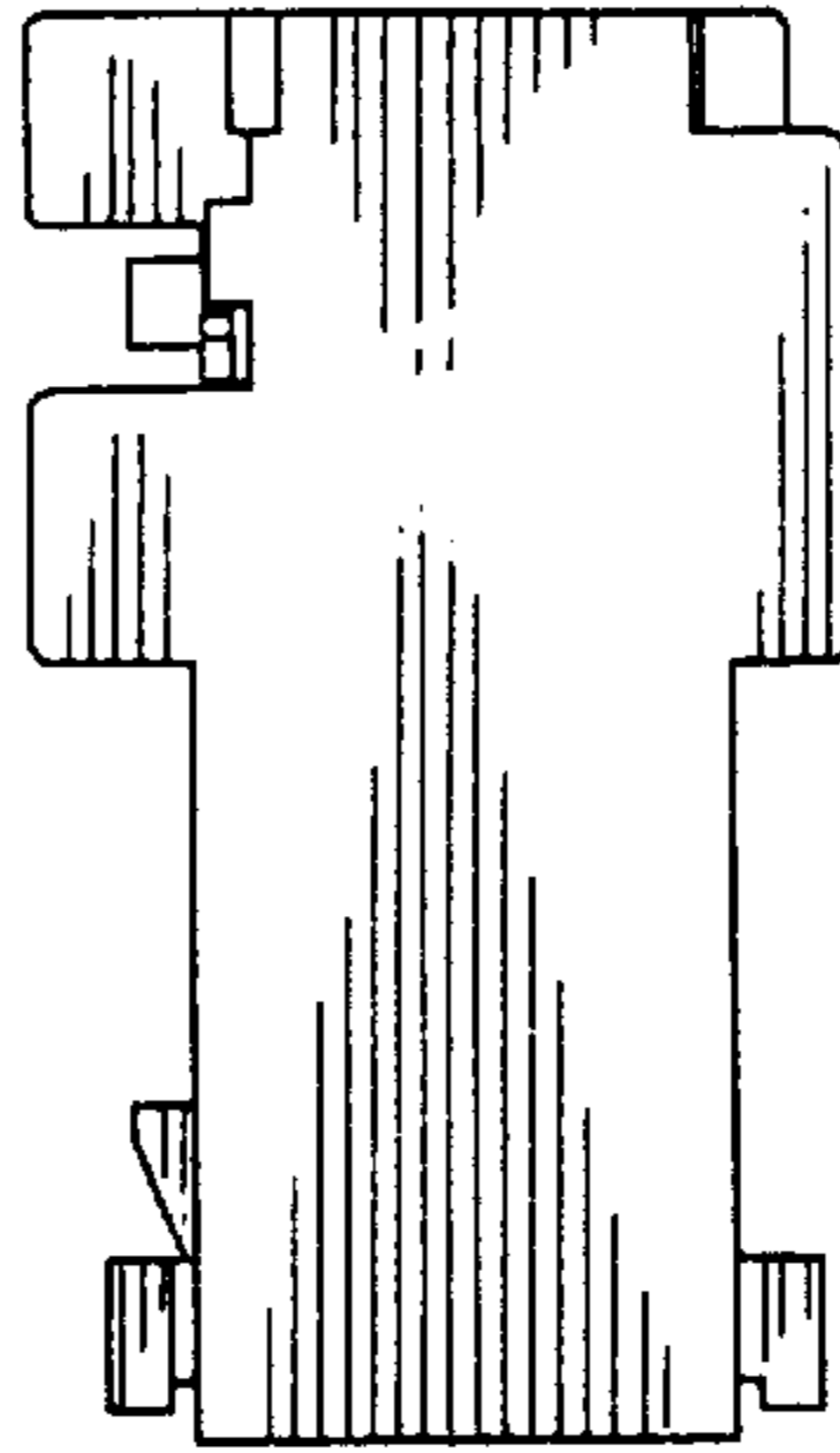


Fig.5

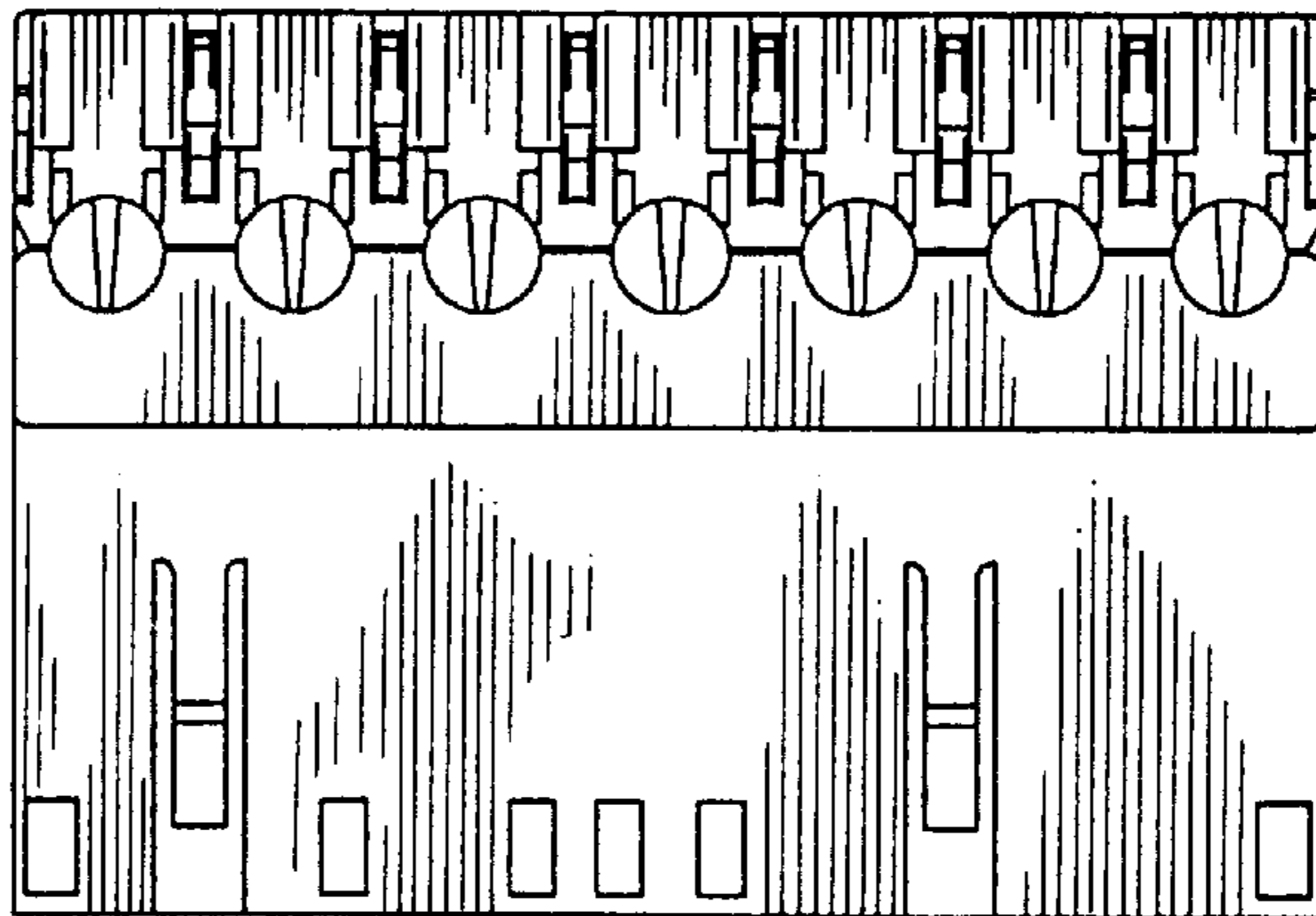


Fig.6

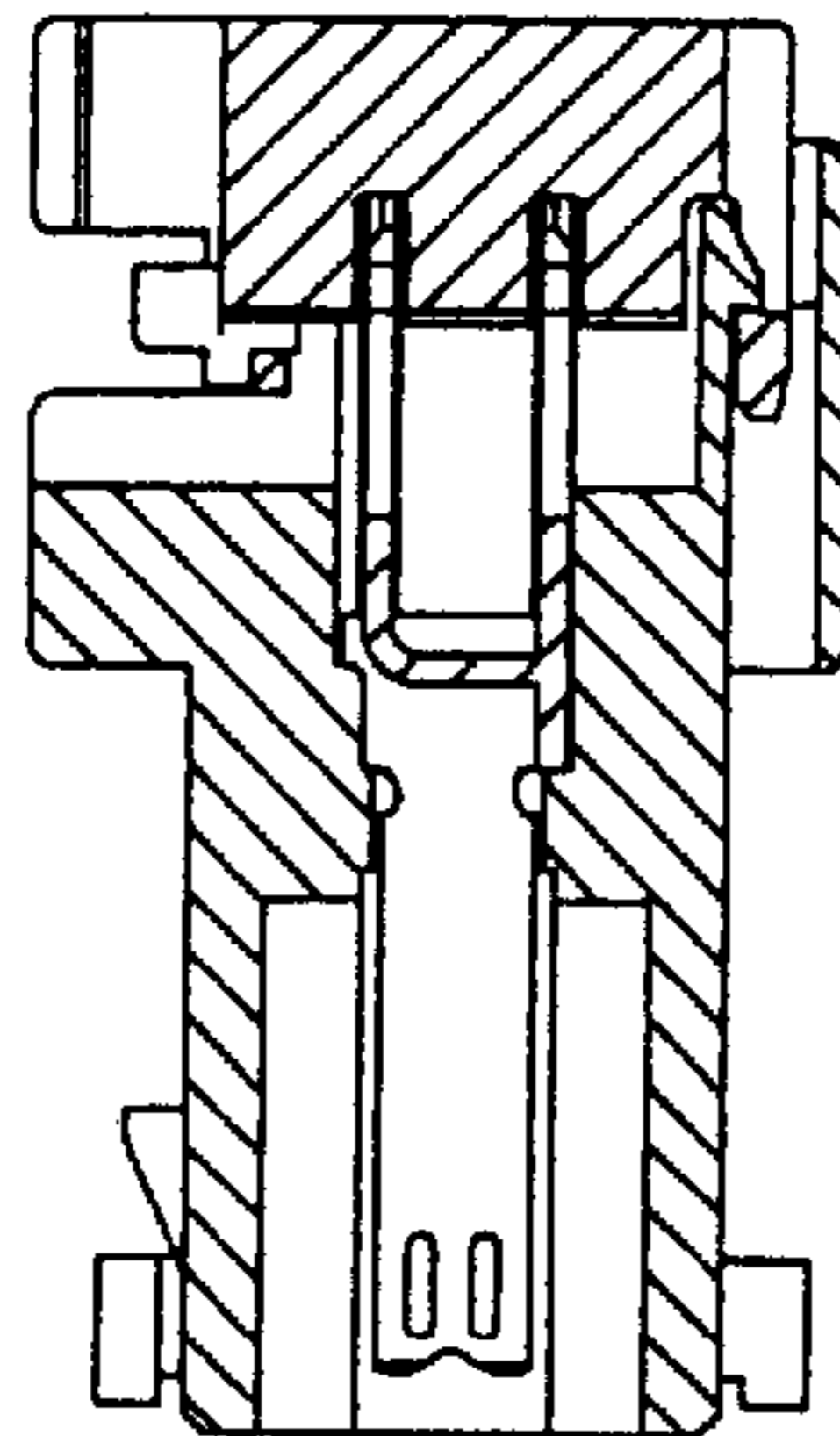


Fig.7

