



US00D475015S

(12) **United States Design Patent**
Shimojo

(10) **Patent No.:** **US D475,015 S**

(45) **Date of Patent:** **** May 27, 2003**

(54) **ELECTRICAL CONNECTING SOCKET**

(75) Inventor: **Yasuhiro Shimojo, Isesaki (JP)**

(73) Assignee: **Hosiden Corporation, Osaka (JP)**

(**) Term: **14 Years**

(21) Appl. No.: **29/147,106**

(22) Filed: **Aug. 23, 2001**

(30) **Foreign Application Priority Data**

Mar. 5, 2001 (JP) 2001-005285

(51) **LOC (7) Cl.** **13-03**

(52) **U.S. Cl.** **D13/137.1**

(58) **Field of Search** D13/133, 138.1,
D13/138.2, 146, 147; 336/90, 92, 107;
363/146; 439/53, 131, 171, 172, 173, 221,
653, 956

(56) **References Cited**

U.S. PATENT DOCUMENTS

- 4,293,172 A * 10/1981 Lingaraju 439/105
- 4,736,177 A * 4/1988 Vollmer et al. 439/651
- 4,885,438 A * 12/1989 Tajima 200/303

- 5,171,155 A * 12/1992 Mendoza 439/449
- D375,080 S * 10/1996 Sandor et al. D13/138.2
- 6,042,425 A * 3/2000 Moller et al. 439/638
- 6,062,884 A * 5/2000 Messimer et al. 439/131

* cited by examiner

Primary Examiner—Robert M. Spear

(74) *Attorney, Agent, or Firm*—Jones, Tullar & Cooper, P.C.

(57) **CLAIM**

The ornamental design for an electrical connecting socket, as shown and described.

DESCRIPTION

FIG. 1 is a front elevation view of an electrical connecting socket showing my new design;
 FIG. 2 is a rear elevation view thereof;
 FIG. 3 is a top plan view thereof;
 FIG. 4 is a bottom plan view thereof;
 FIG. 5 is a left side elevation view thereof;
 FIG. 6 is a right side elevation view thereof; and,
 FIG. 7 is an isometric view thereof.

The broken lines in the drawings depict environmental structure, which forms no part of the claimed design.

1 Claim, 4 Drawing Sheets

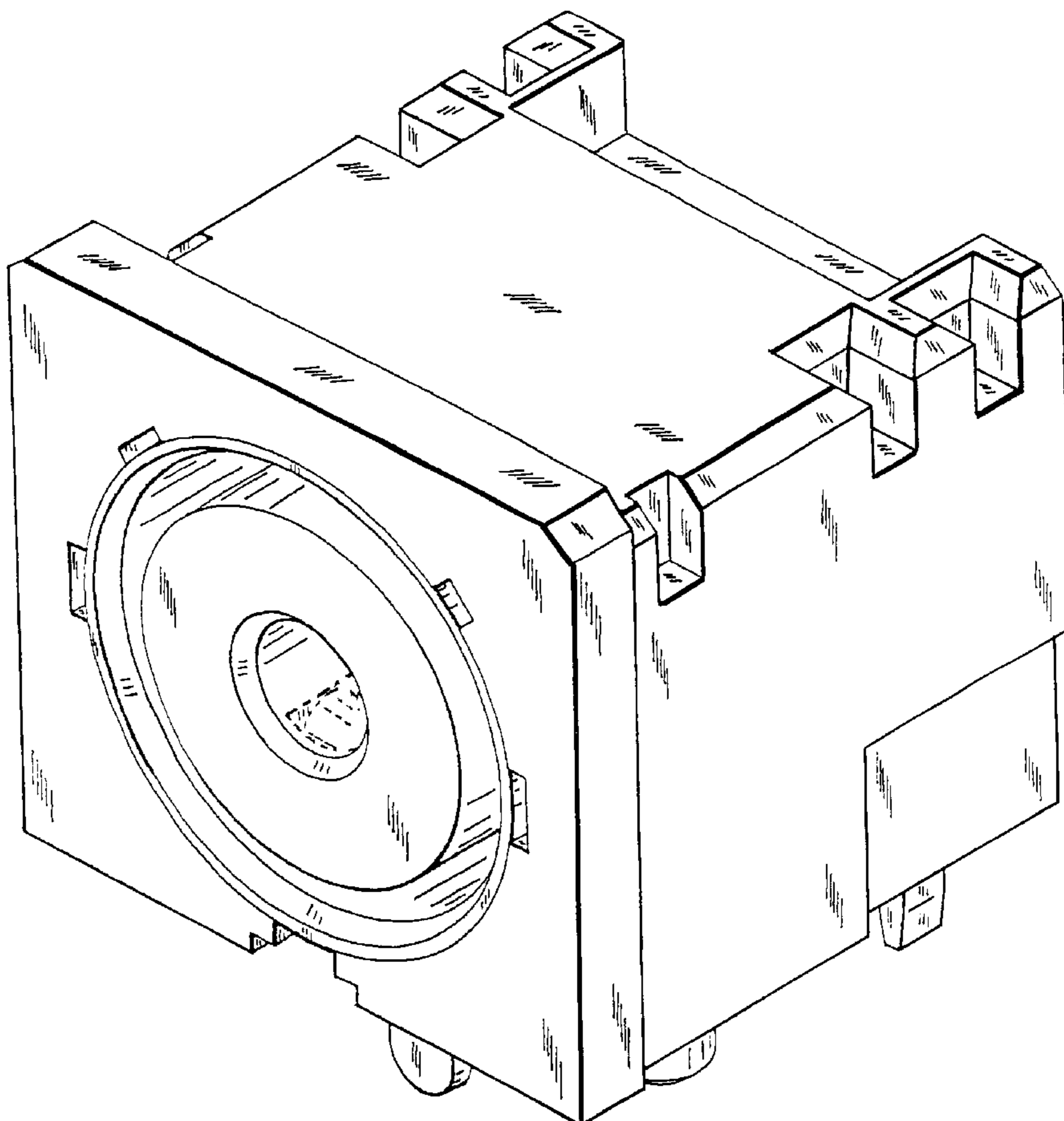


FIG. 1

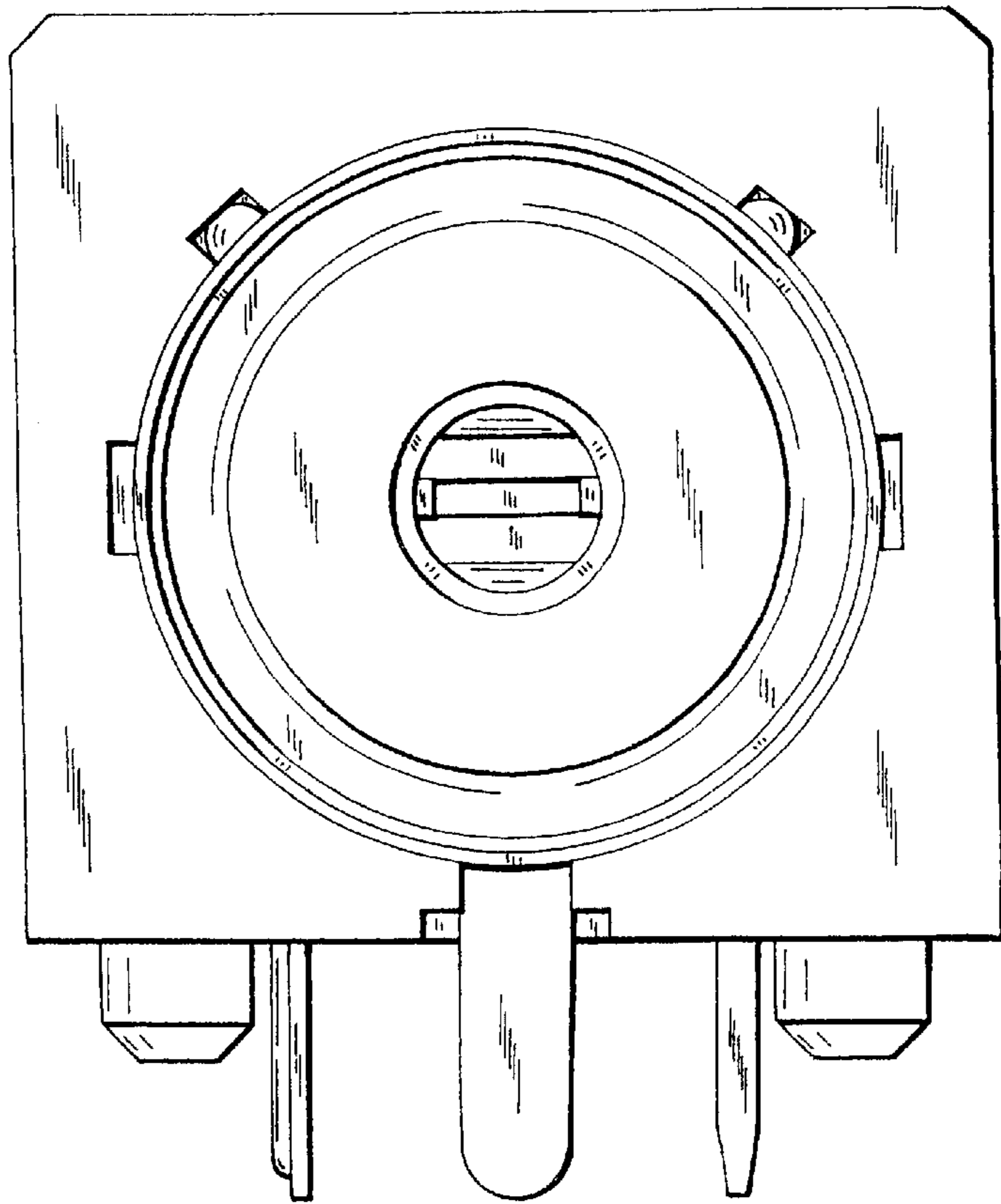


FIG. 2

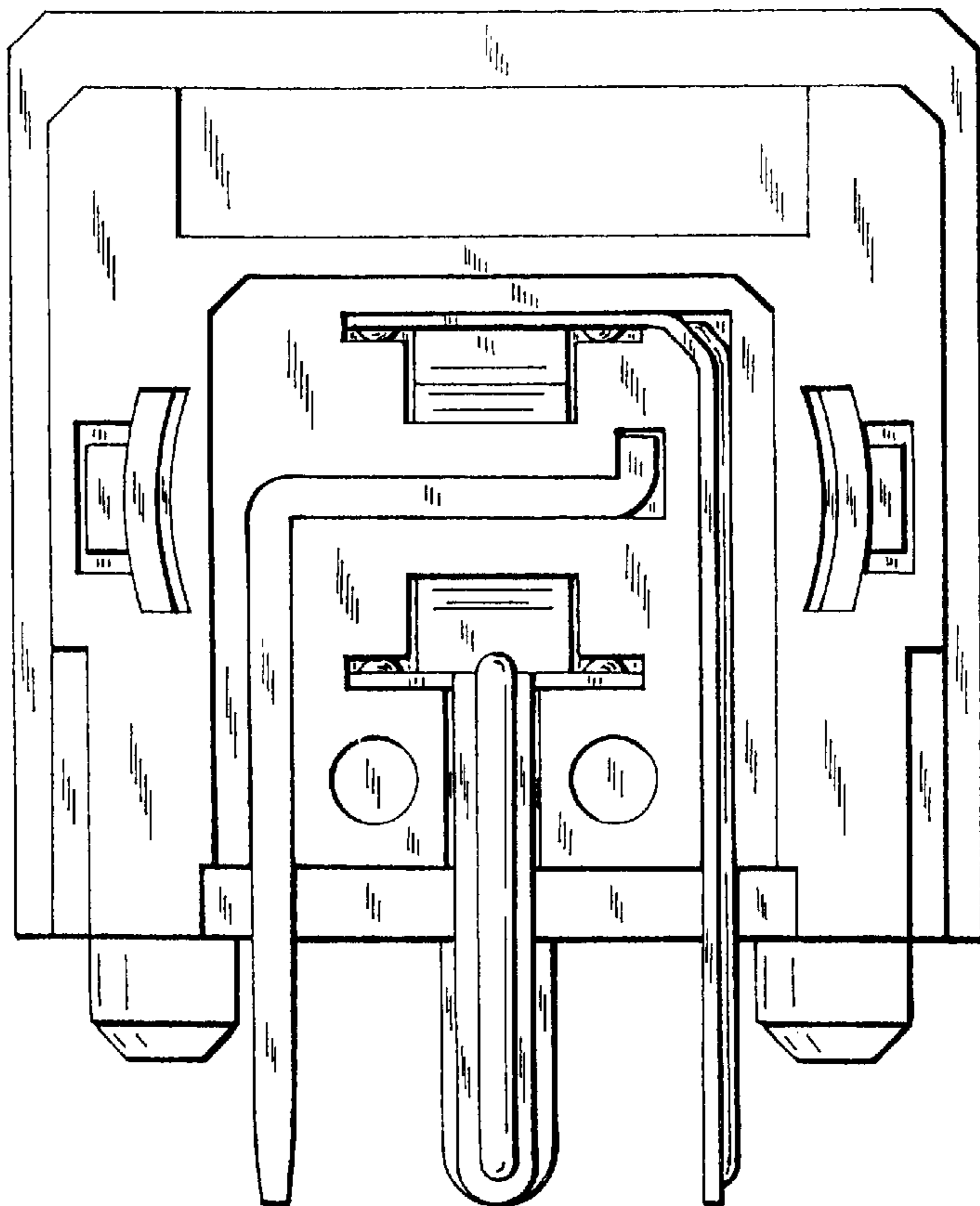


FIG. 3

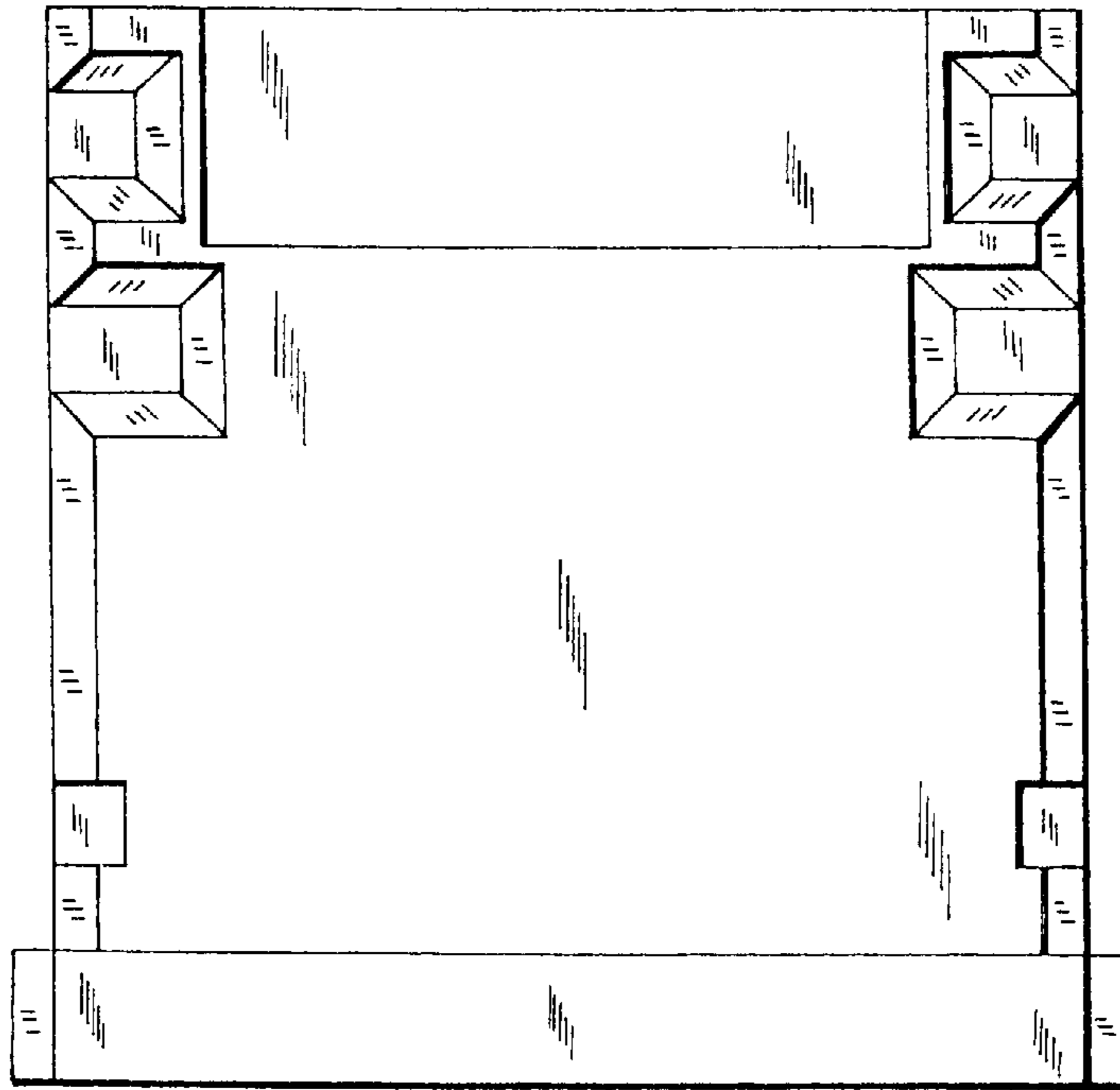


FIG. 4

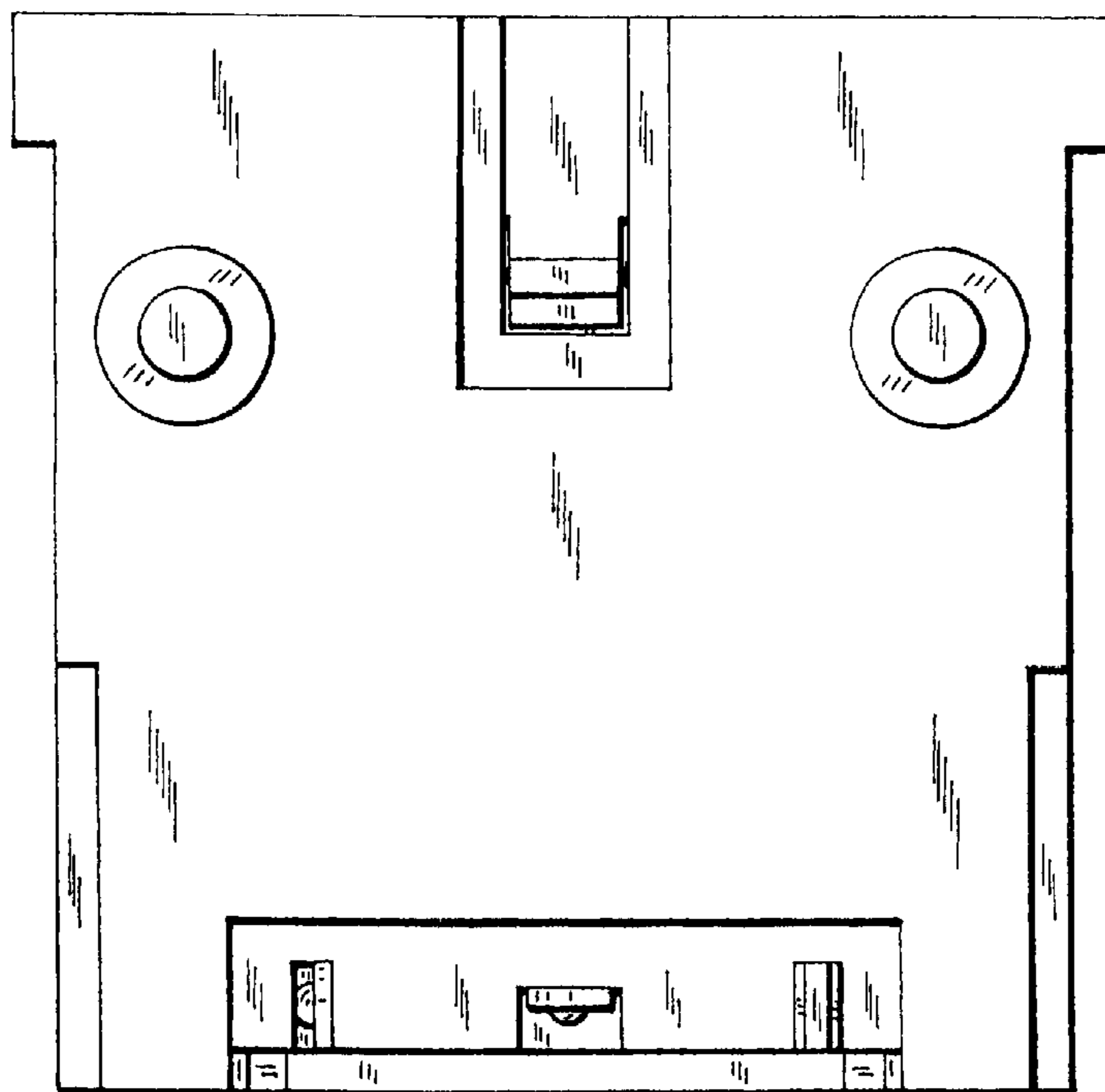


FIG. 5

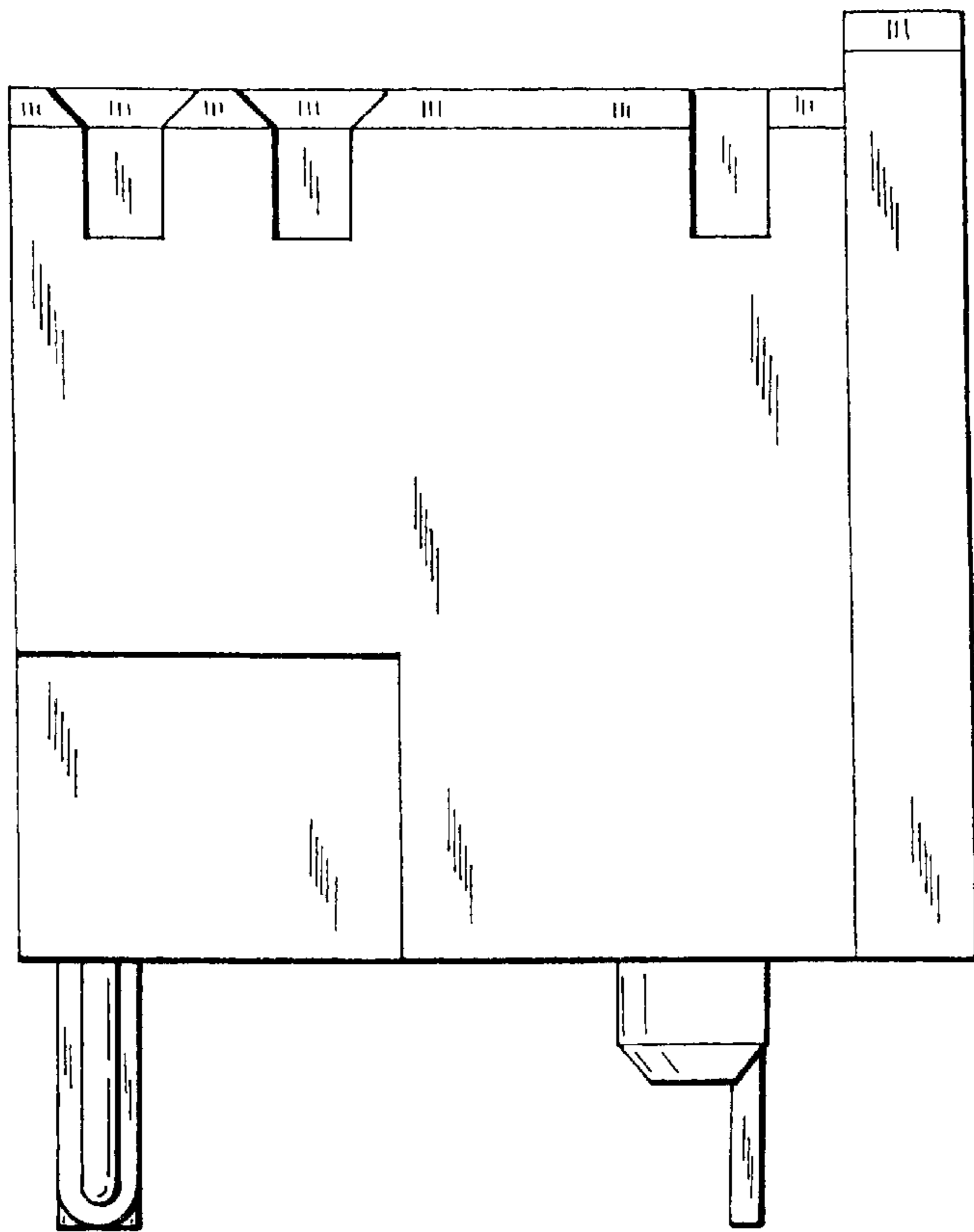


FIG. 6

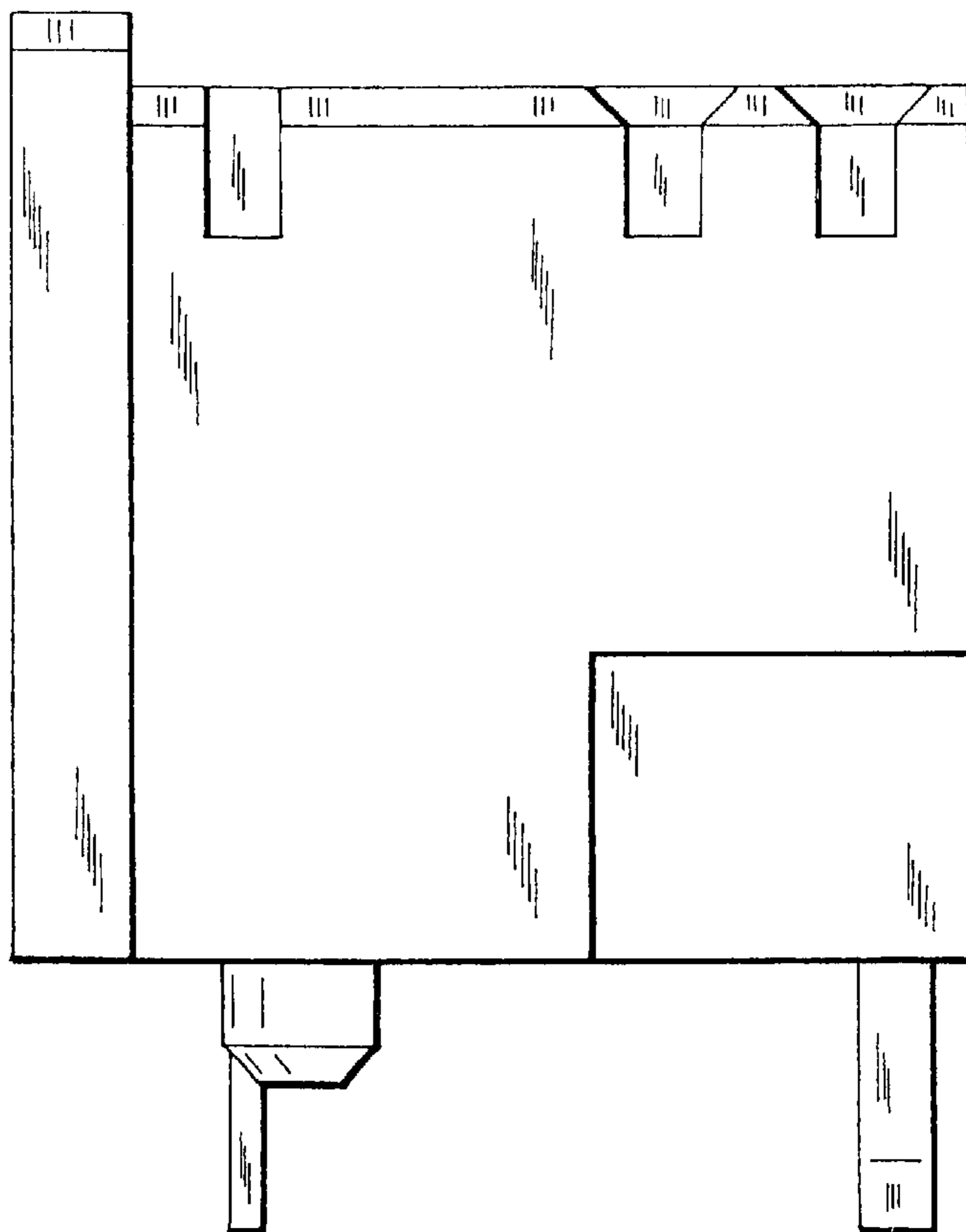


FIG. 7

