



US00D475011S

(12) **United States Design Patent**
Kataoka

(10) **Patent No.:** **US D475,011 S**

(45) **Date of Patent:** **** May 27, 2003**

(54) **BATTERY CHARGER**

(75) Inventor: **Tetsu Kataoka**, Tokyo (JP)

(73) Assignee: **Sony Corporation**, Tokyo (JP)

(**) Term: **14 Years**

(21) Appl. No.: **29/166,244**

(22) Filed: **Aug. 26, 2002**

(51) **LOC (7) Cl.** **13-02**

(52) **U.S. Cl.** **D13/108**

(58) **Field of Search** D13/107, 108;
320/107-115

(56) **References Cited**

U.S. PATENT DOCUMENTS

D323,504 S	*	1/1992	Langton	D14/142
D335,861 S	*	5/1993	Tattari	D13/108
D353,371 S	*	12/1994	Delhaes	D13/108 X
5,888,087 A	*	3/1999	Hanson et al.	439/374
D414,180 S	*	9/1999	Waldner	D13/108 X
D420,323 S		2/2000	Nakamura		
D442,141 S	*	5/2001	Ikenaga	D13/107
D445,087 S	*	7/2001	Skoger et al.	D13/108
6,483,698 B1	*	11/2002	Loh	320/113 X

FOREIGN PATENT DOCUMENTS

GB	2061209	*	10/1997
JP	1079310		7/2000

OTHER PUBLICATIONS

Press release "MD Headphone Player" <http://www.sharp.co.jp.corprate/news/990903.html>, 1 sheet, Sharp (Sep. 1999).

Press release "MD Headphone Player <MD-ST66>" <http://www.sharp.co.jp/corporate/news/000825-1.html>, 1 sheet, Sharp (Aug. 2000).

Press release "MD Portable Recorder <MD-MT77>" <http://www.sharp.co.jp/corporate/news/001030.html>, 1 sheet, Sharp (Oct. 2000).

Press release "MD Headphone Player <MD-ST77>" <http://www.co.jp/corporate/news/001120.html>, Sharp (Nov. 2000).

Press release "News and Information "MDS-JE770.MZ-E501"" <http://www.sony.co.jp/sd/CorporateCruise/Press/200105/01-0524/>, 1 sheet, Sony (May 2001).

Press release "News and Information "MZ-R909"" <http://sony.co.jp/sd/CorporateCruise/Press/200107/01-0724/>, 1 sheet, Sony (Jul. 2001).

Press release "MD Portable Recorder <MD-MT770>" <http://www.sharp.co.jp/corporate/news/010726.html>, 2 sheets, Sharp (Jul. 2001).

Catalog "Radio/Tape Recorder/IC Recorder," p.2, Sony (Aug. 2001).

* cited by examiner

Primary Examiner—Joel Sincavage

(74) *Attorney, Agent, or Firm*—Rader, Fishman & Grauer PLLC

(57) **CLAIM**

The ornamental design for a battery charger, as shown.

DESCRIPTION

FIG. 1 is a perspective view of a battery charger showing my new design;

FIG. 2 is a front elevational view thereof;

FIG. 3 is a rear elevational view thereof;

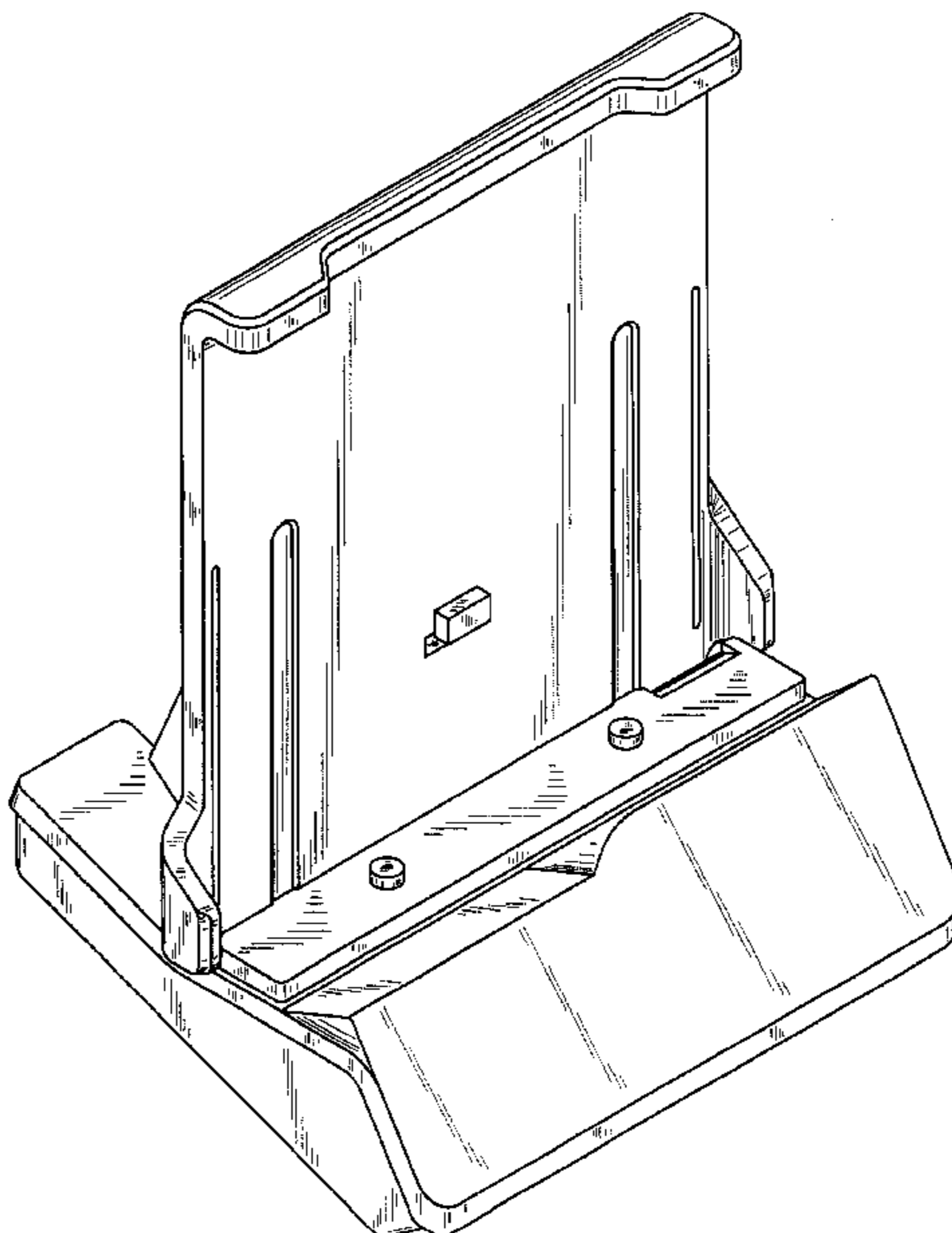
FIG. 4 is a left side elevational view thereof;

FIG. 5 is a right side elevational view thereof;

FIG. 6 is a top plan view thereof; and,

FIG. 7 is a bottom plan view thereof.

1 Claim, 4 Drawing Sheets



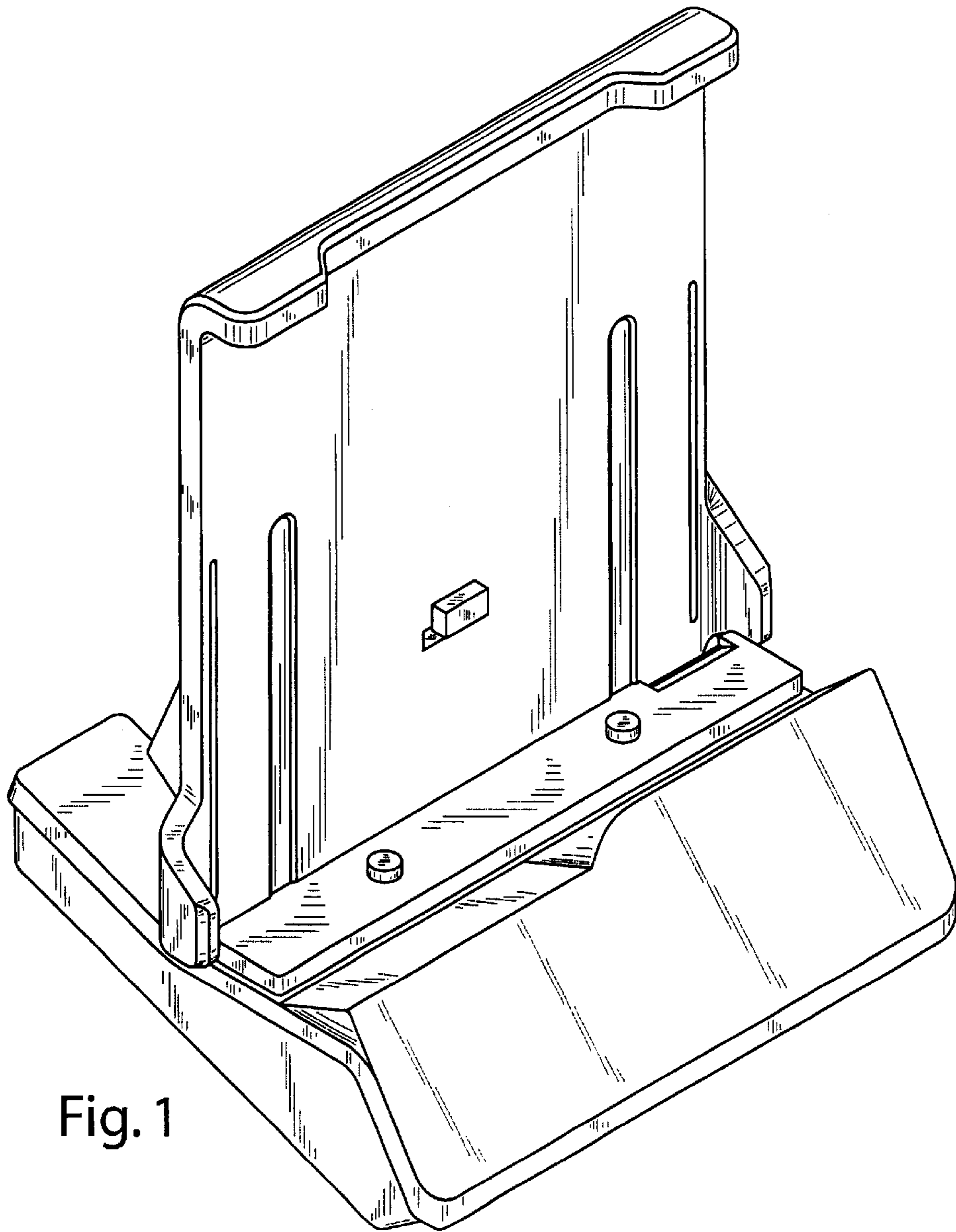


Fig. 1

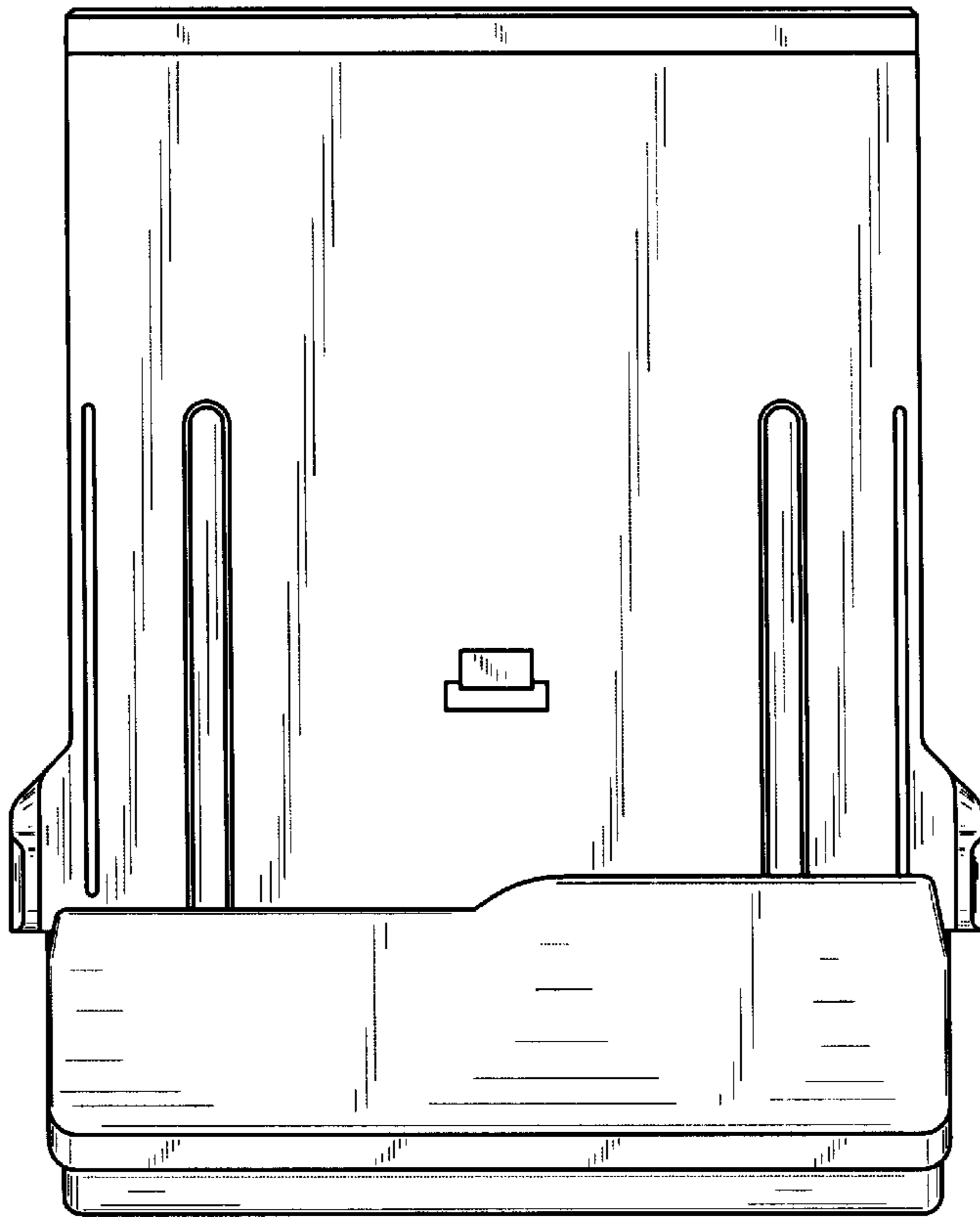


Fig. 2

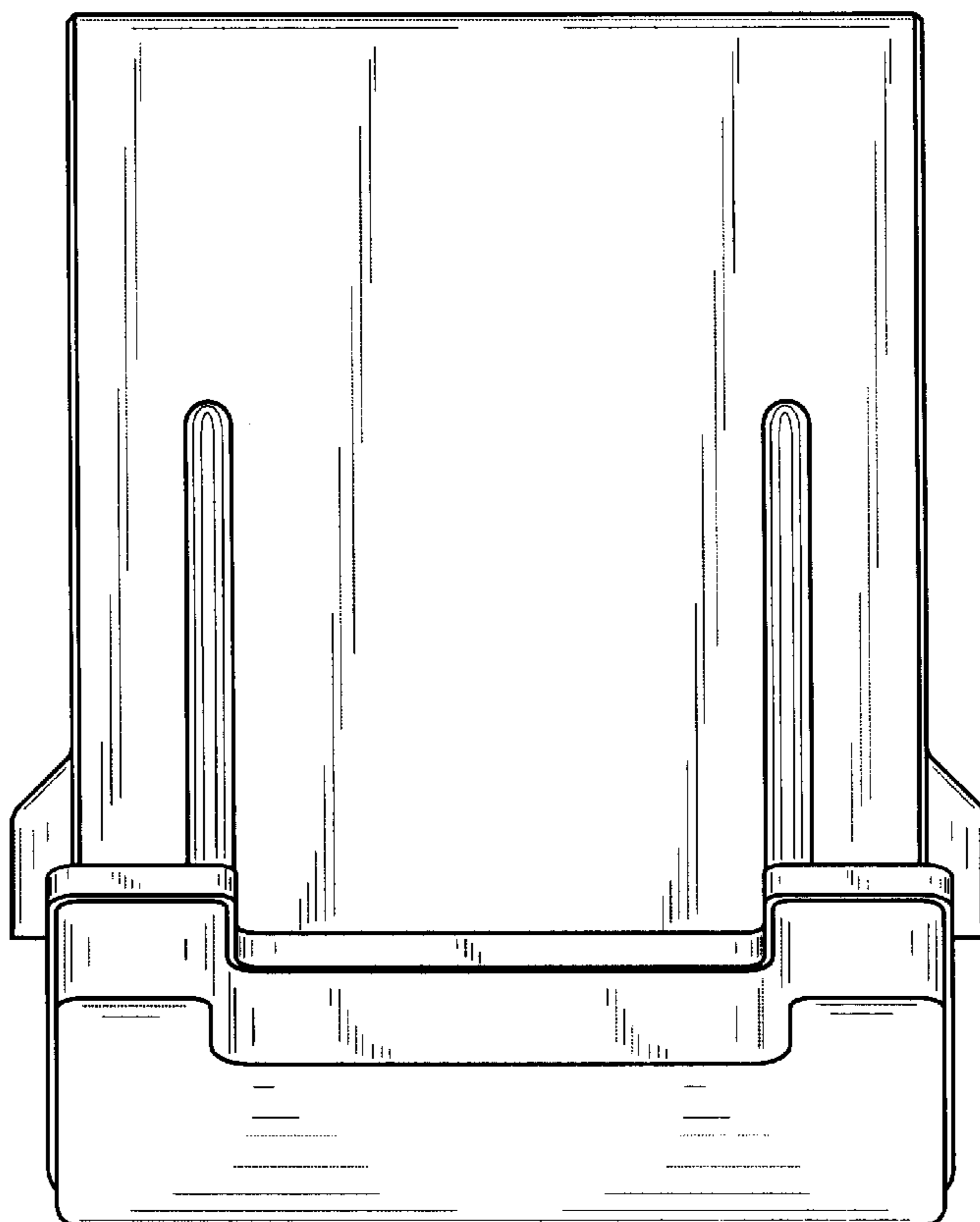
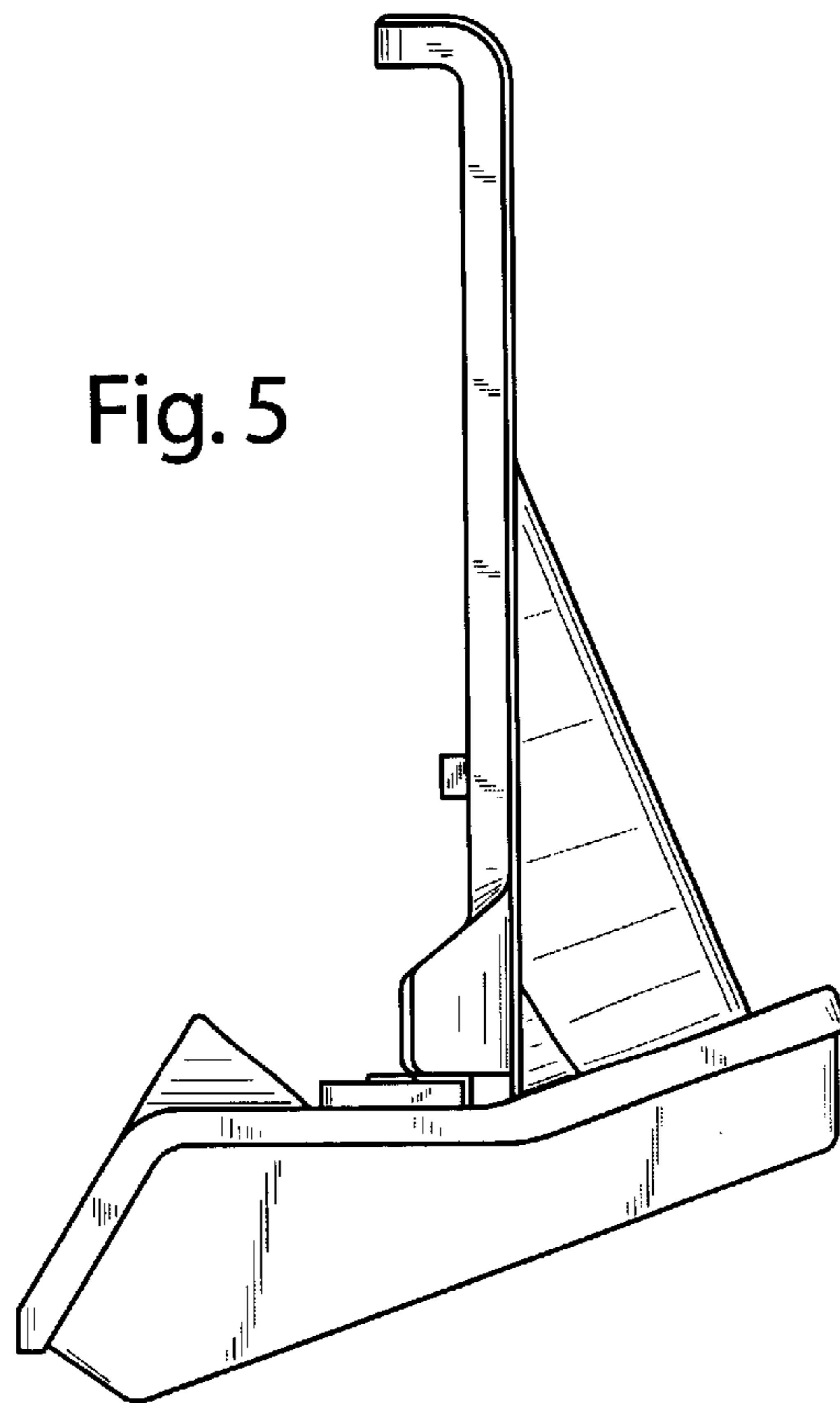
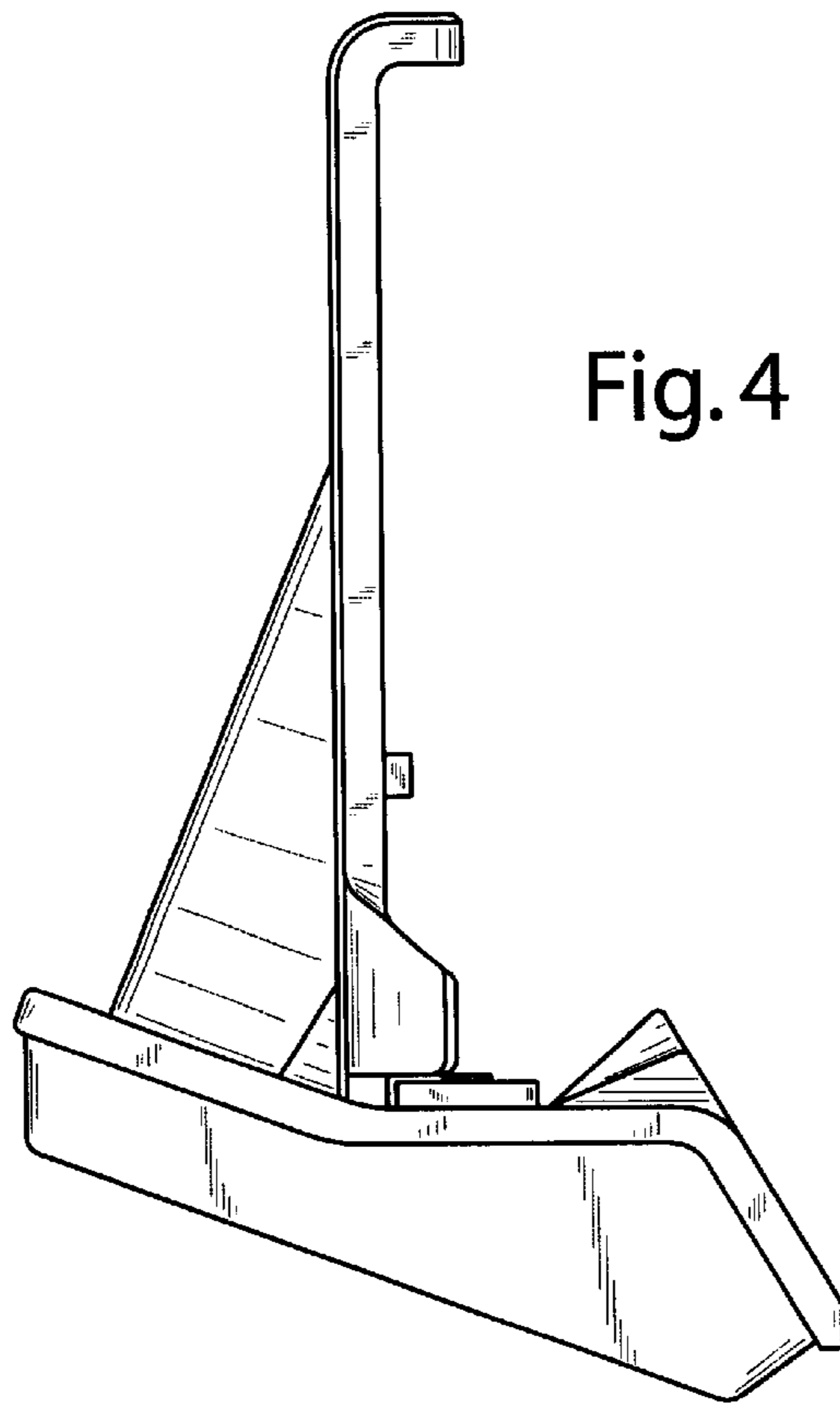


Fig. 3



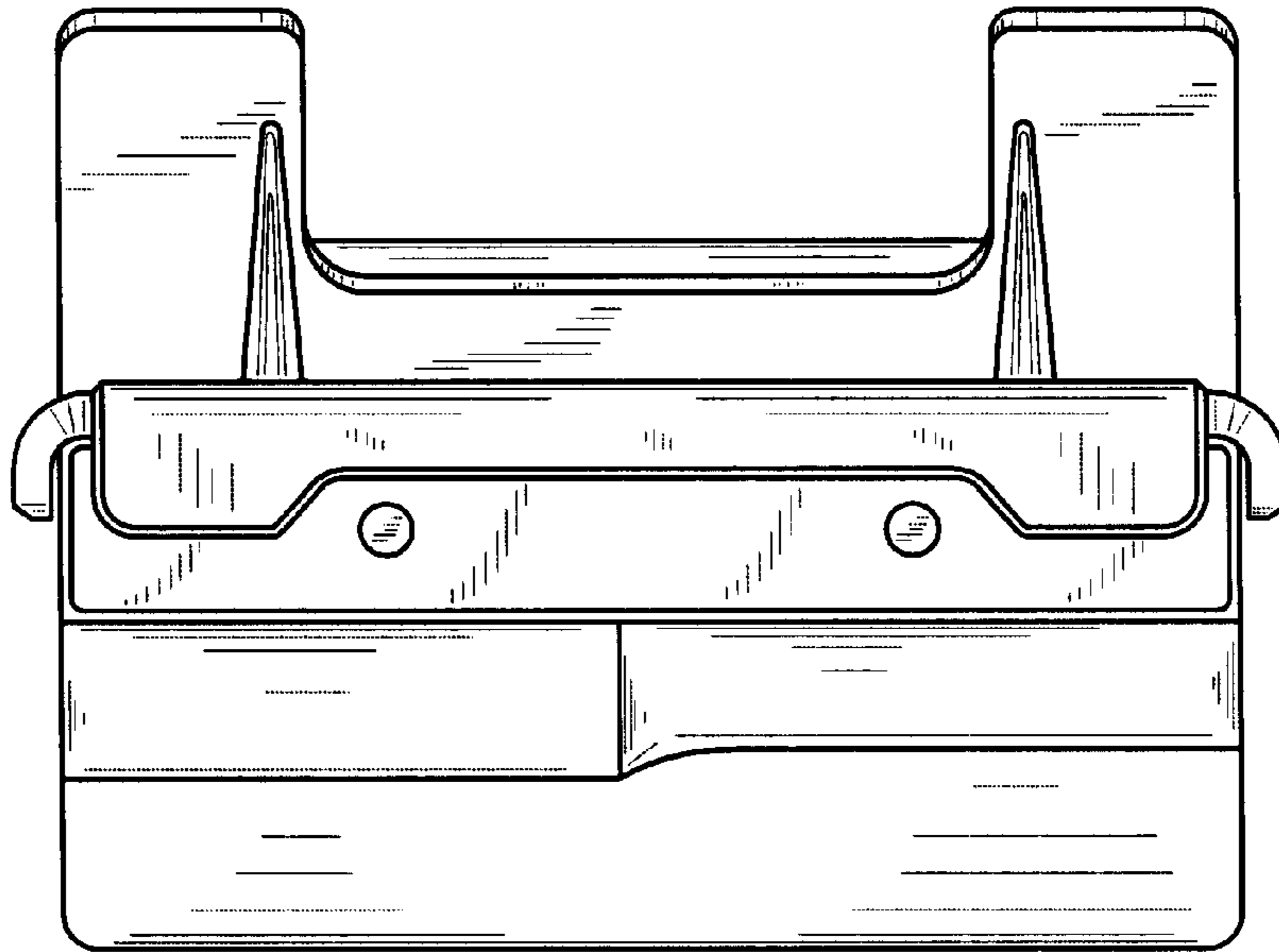


Fig. 6

Fig. 7

