



US00D475007S

(12) **United States Design Patent**  
**McCoy et al.**

(10) **Patent No.:** **US D475,007 S**

(45) **Date of Patent:** **\*\* May 27, 2003**

(54) **MODULAR CARGO CARRIER**

(75) Inventors: **Richard W. McCoy**, Granger, IN (US);  
**Jason R. Moldthan**, Osceola, IN (US);  
**George Otto Snook**, South Bend, IN (US)

(73) Assignee: **Reese Products, Inc.**, Goshen, IN (US)

(\*\*) Term: **14 Years**

(21) Appl. No.: **29/170,291**

(22) Filed: **Nov. 4, 2002**

(51) **LOC (7) Cl.** ..... **12-16**

(52) **U.S. Cl.** ..... **D12/423**

(58) **Field of Search** ..... D12/412, 413,  
D12/414.1, 423-425, 406; 296/24.1, 37.1-37.7;  
224/400, 403-404, 539-541, 309-311,  
314, 320-324, 917.5; 206/315.1, 315.11;  
D3/905, 294, 272-273

(56) **References Cited**

**U.S. PATENT DOCUMENTS**

- D258,950 S \* 4/1981 Wright ..... D12/423
- D317,865 S \* 7/1991 Waters ..... D12/423 X
- D340,218 S \* 10/1993 Delage et al. .... D12/423

- D352,496 S \* 11/1994 Gower ..... D12/423
- D369,342 S \* 4/1996 Williams ..... D12/423
- D400,159 S \* 10/1998 Niemi et al. .... D12/423
- D403,654 S \* 1/1999 Houry ..... D12/414.1
- D420,321 S \* 2/2000 McCoy et al. .... D12/413
- D434,719 S \* 12/2000 McCoy et al. .... D12/413
- D462,312 S \* 9/2002 Klein ..... D12/413

\* cited by examiner

*Primary Examiner*—Stacia Cadmus

(74) *Attorney, Agent, or Firm*—King & Schickli, PLLC

(57) **CLAIM**

The ornamental design of a modular cargo carrier, as shown and described.

**DESCRIPTION**

FIG. 1 is a perspective view of the modular cargo carrier of the present invention;  
 FIG. 2 is a front elevational view thereof;  
 FIG. 3 is a rear elevational view;  
 FIG. 4 is a top plan view thereof;  
 FIG. 5 is a bottom plan view thereof;  
 FIG. 6 is a left side elevational view thereof; and,  
 FIG. 7 is a right side elevational view thereof.

**1 Claim, 4 Drawing Sheets**

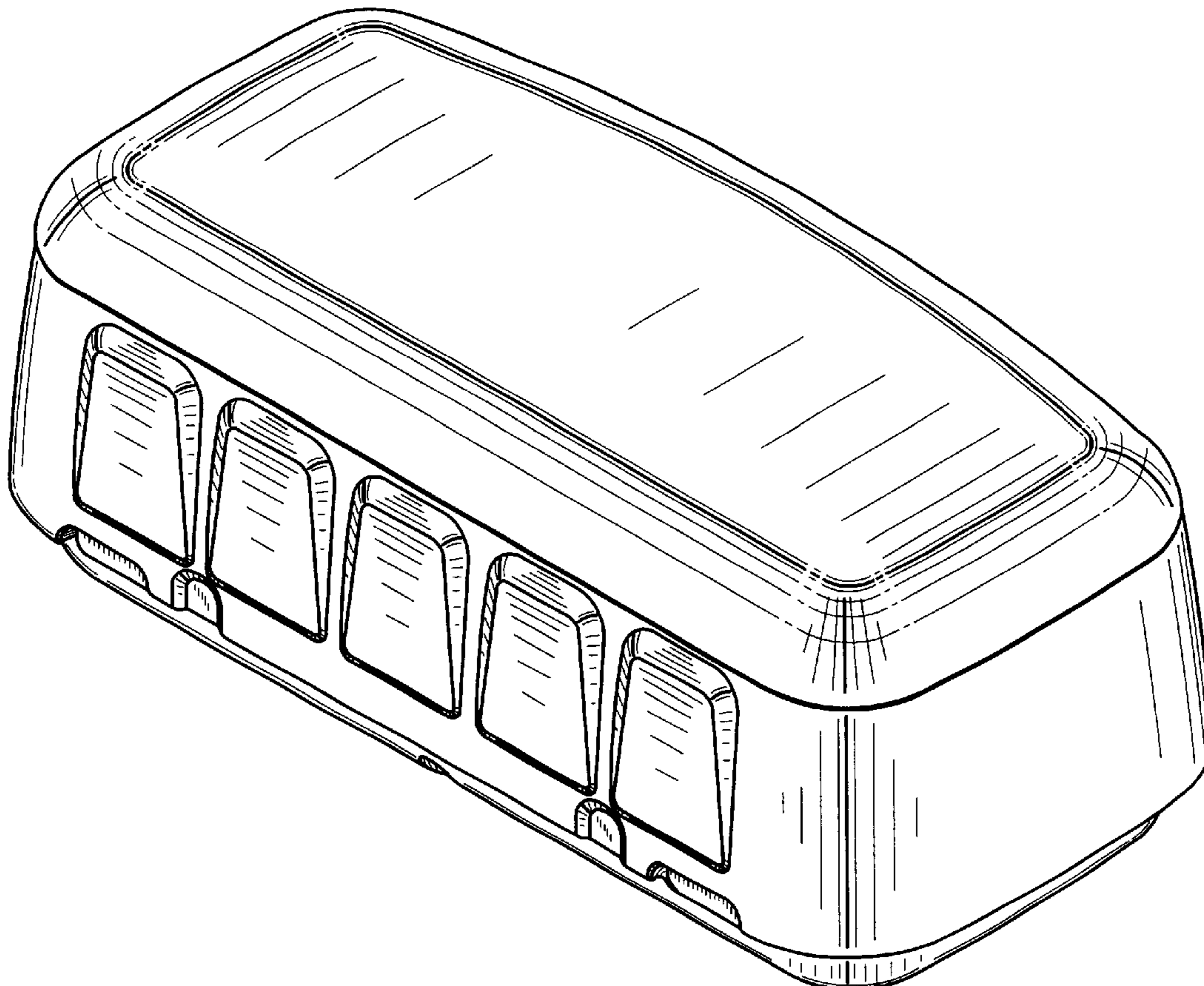


FIG. 1

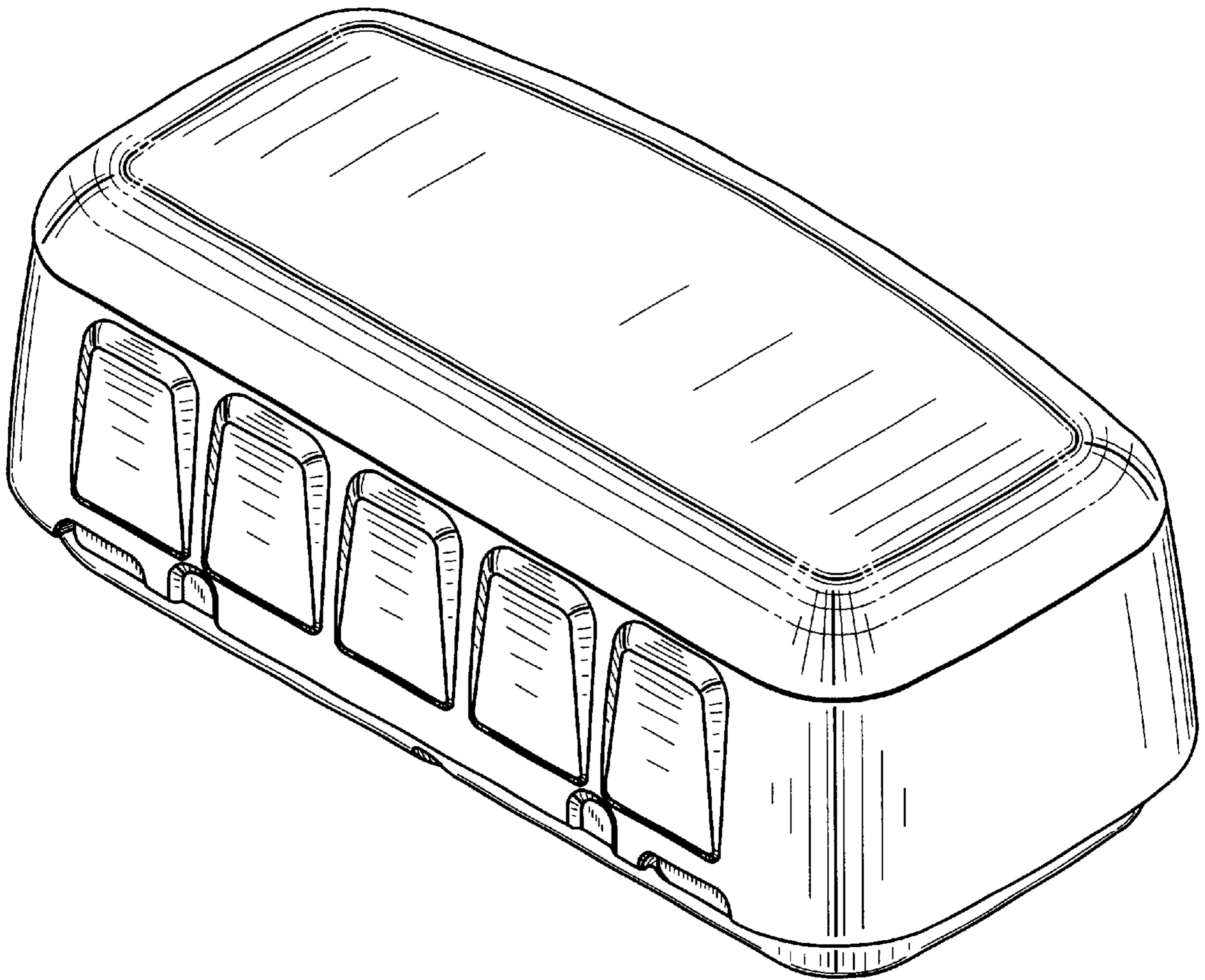


FIG. 2

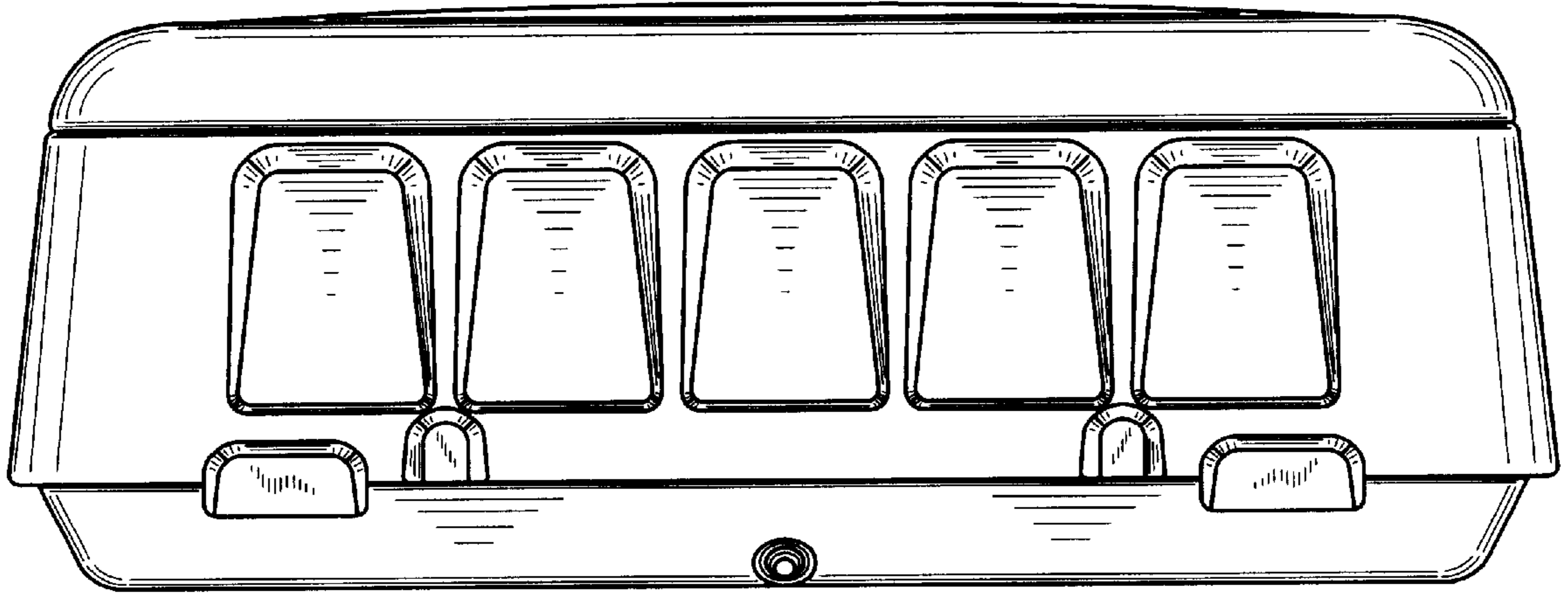


FIG. 3

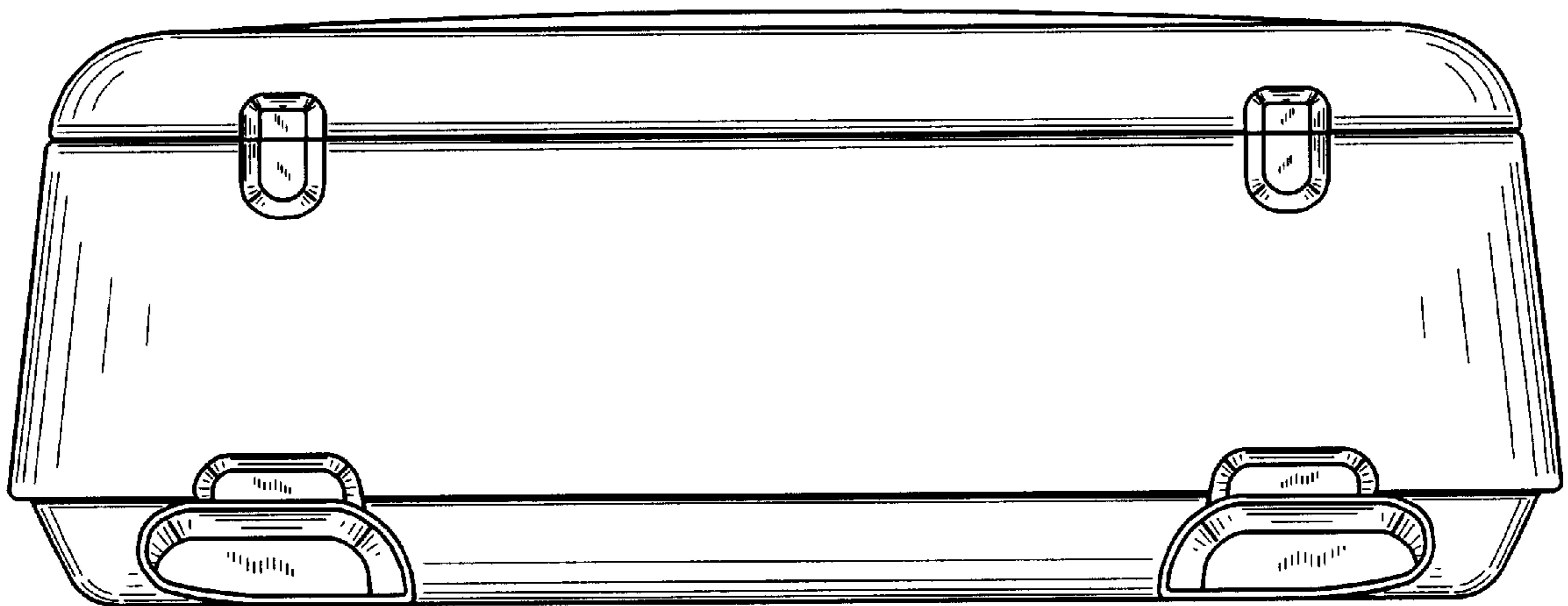


FIG. 4

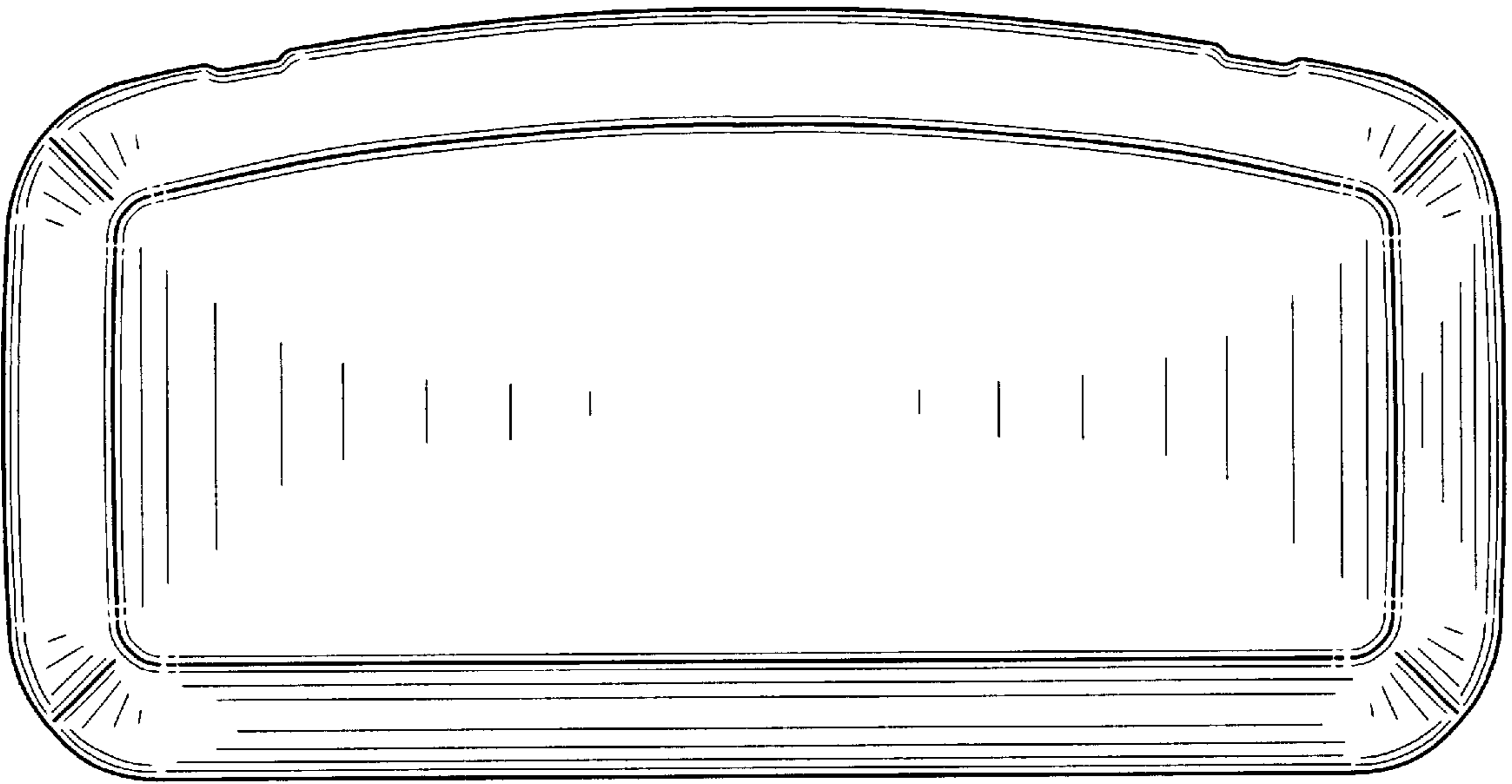


FIG. 5

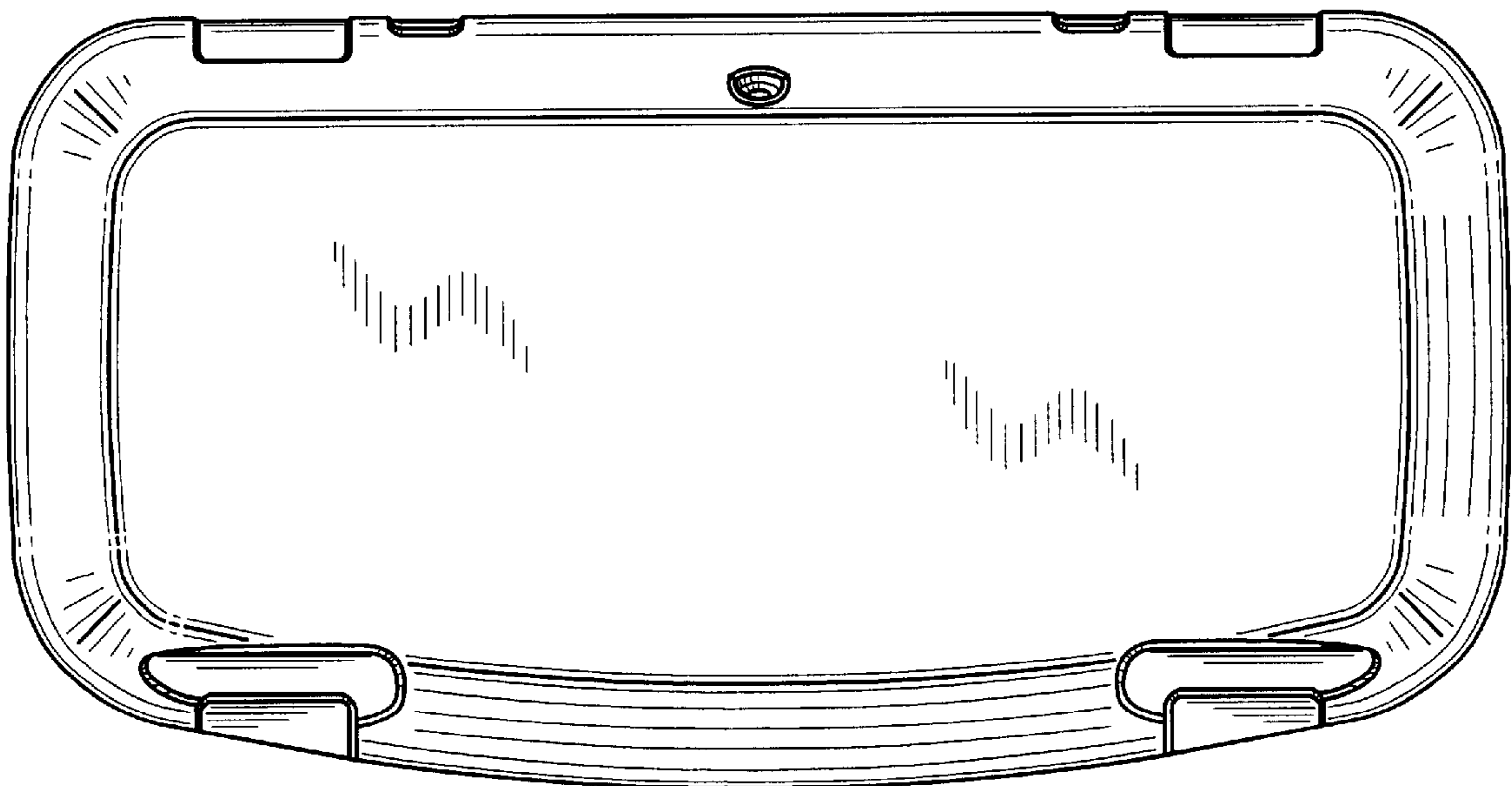




FIG. 6

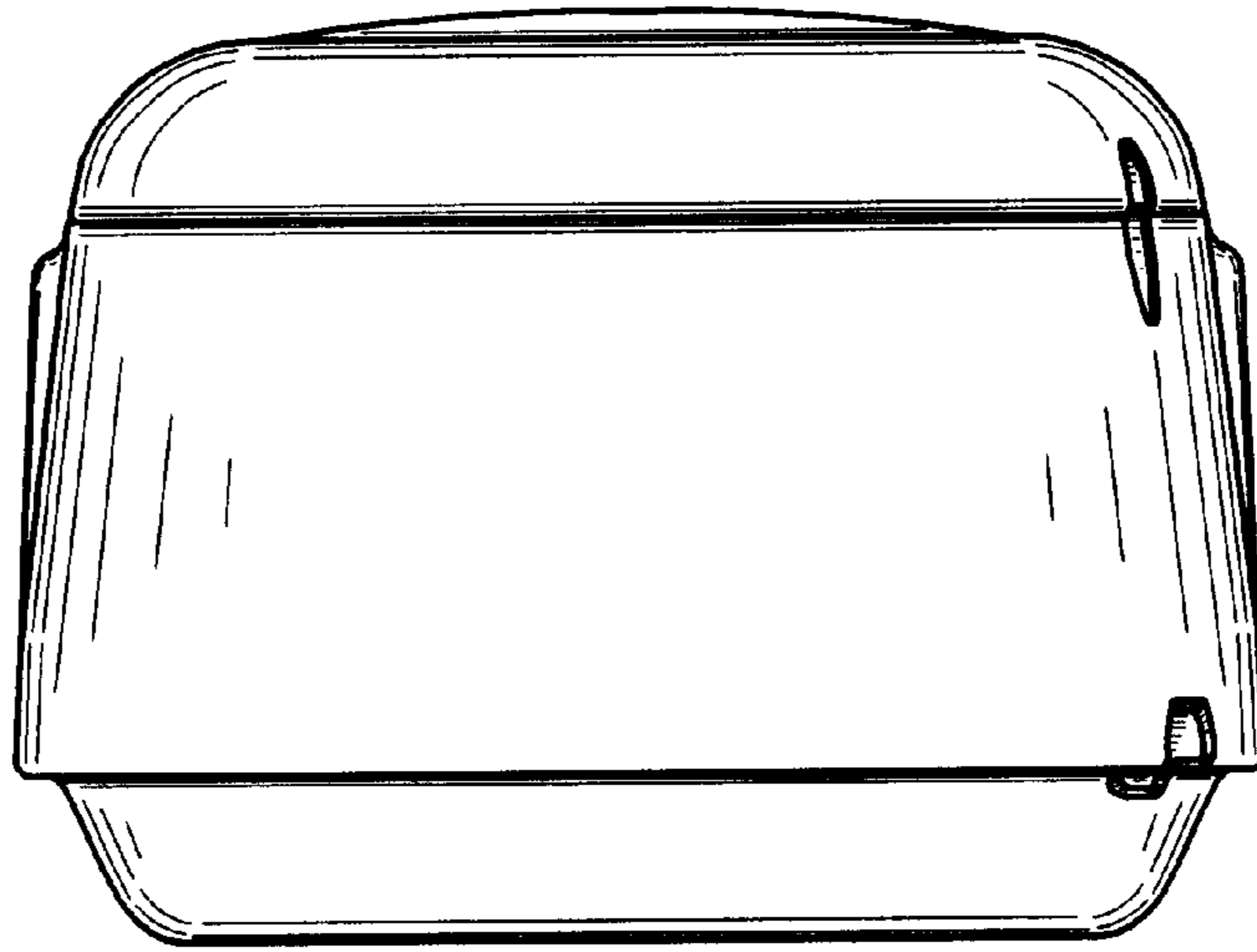


FIG. 7

