



US00D474999S

(12) **United States Design Patent**  
**Schlangen et al.**

(10) **Patent No.: US D474,999 S**

(45) **Date of Patent: \*\* May 27, 2003**

(54) **TUBE CONNECTOR**

(76) Inventors: **Phillip E. Schlangen**, 1920 S. First St.,  
No. 1601, Minneapolis, MN (US)  
55454; **Paul R. Lawson**, 395 Ervin  
Industrial Dr., Jordan, MN (US) 55352;  
**William L. Eshleman**, 395 Ervin  
Industrial Dr., Jordan, MN (US) 55352

(\*\*) Term: **14 Years**

(21) Appl. No.: **29/141,713**

(22) Filed: **May 14, 2001**

(51) **LOC (7) Cl.** ..... **12-12**

(52) **U.S. Cl.** ..... **D12/133**

(58) **Field of Search** ..... **D12/128-133;**  
**D25/119, 122, 123, 124, 125; 280/250.1,**  
**304.1, 644, 647, 650**

(56) **References Cited**

**U.S. PATENT DOCUMENTS**

D415,075 S \* 10/1999 Lan ..... D12/133

\* cited by examiner

*Primary Examiner*—Marcus A. Jackson

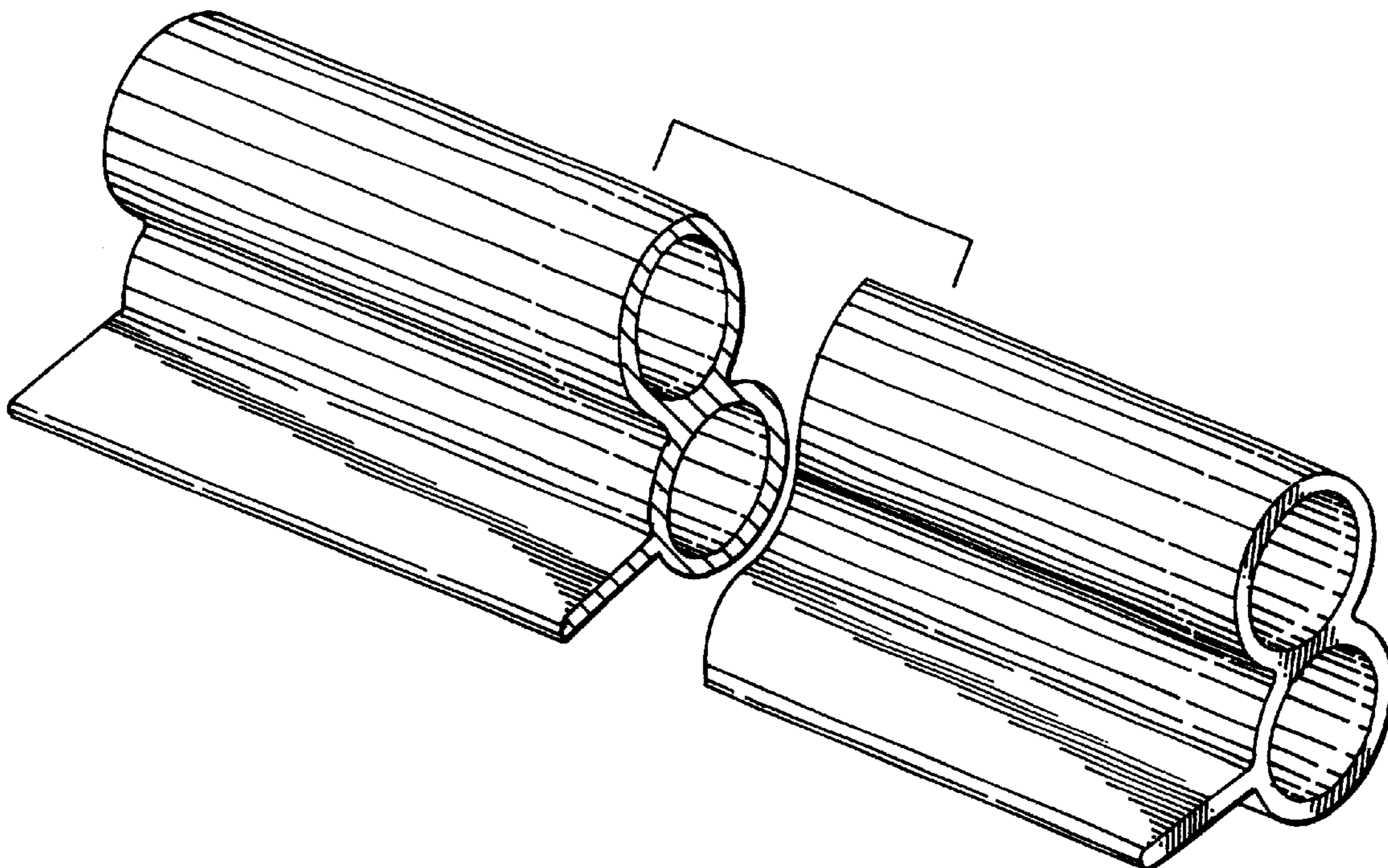
(57) **CLAIM**

The ornamental design of the tube connector, as shown and described.

**DESCRIPTION**

FIG. 1 is a foreshortened perspective view of a tube connector of our new design;  
FIG. 2 is a foreshortened top plan view thereof;  
FIG. 3 is a foreshortened front elevational view thereof;  
FIG. 4 is a foreshortened rear elevational view thereof;  
FIG. 5 is an end elevational view of the right end thereof;  
FIG. 6 is an end elevational view of the left end thereof;  
FIG. 7 is a foreshortened bottom plan view thereof;  
FIG. 8 is a foreshortened perspective view of a first modification of the tube connector of FIG. 1;  
FIG. 9 is a foreshortened top plan view of FIG. 8;  
FIG. 10 is a foreshortened front elevational view of FIG. 8;  
FIG. 11 is a foreshortened rear elevational view of FIG. 8;  
FIG. 12 is an end elevational view of the right end of FIG. 8;  
FIG. 13 is an end elevational view of the left end of FIG. 8;  
and,  
FIG. 14 is a foreshortened bottom plan view of FIG. 8.

**1 Claim, 6 Drawing Sheets**



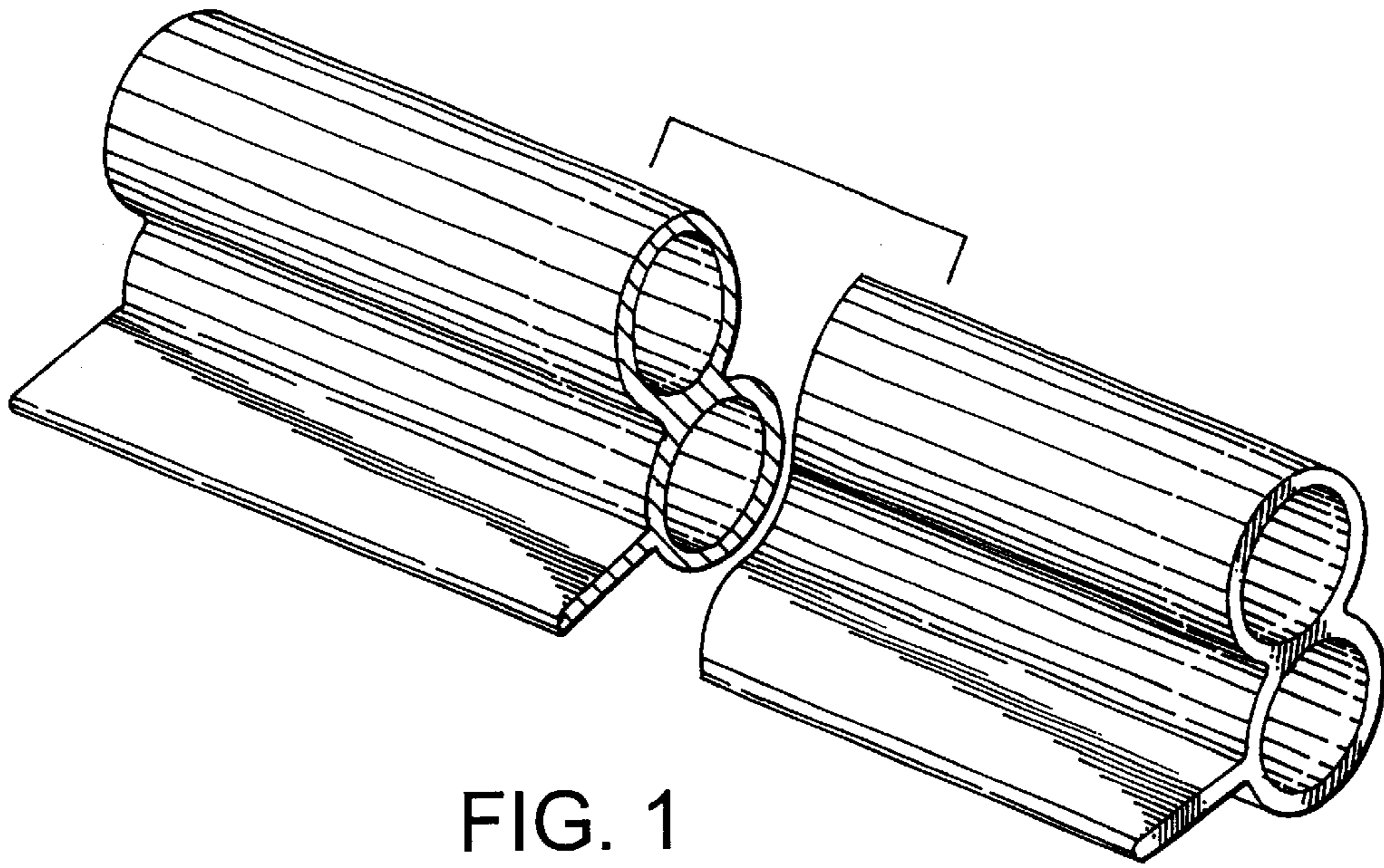


FIG. 1

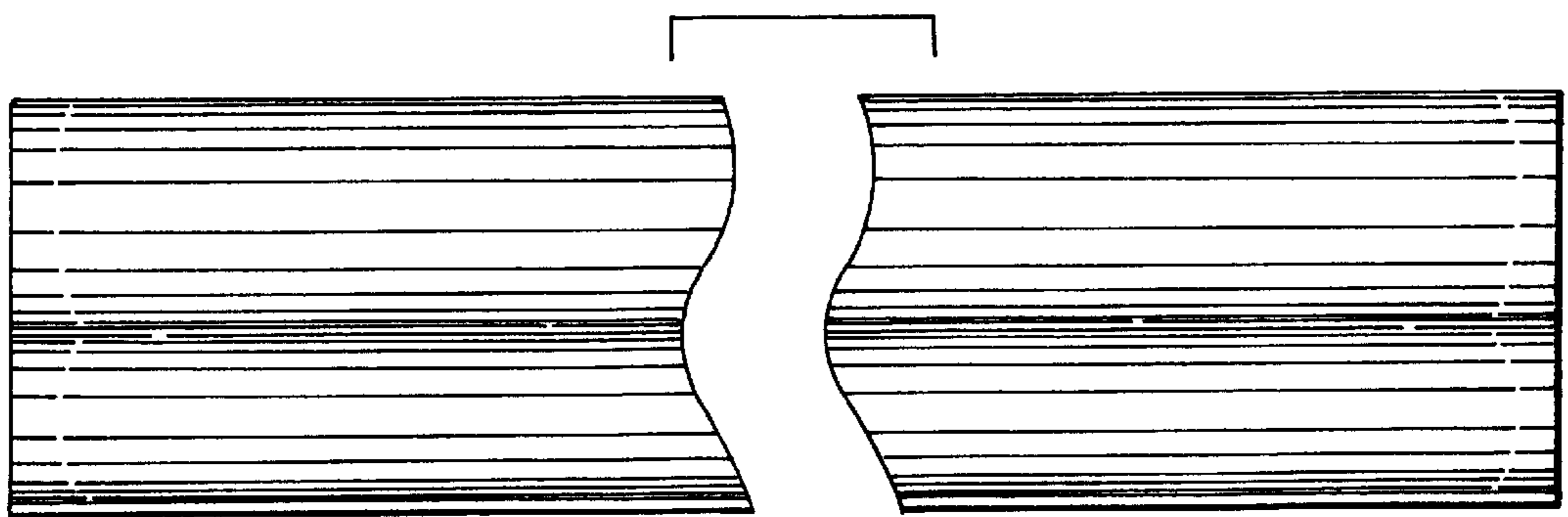


FIG. 2

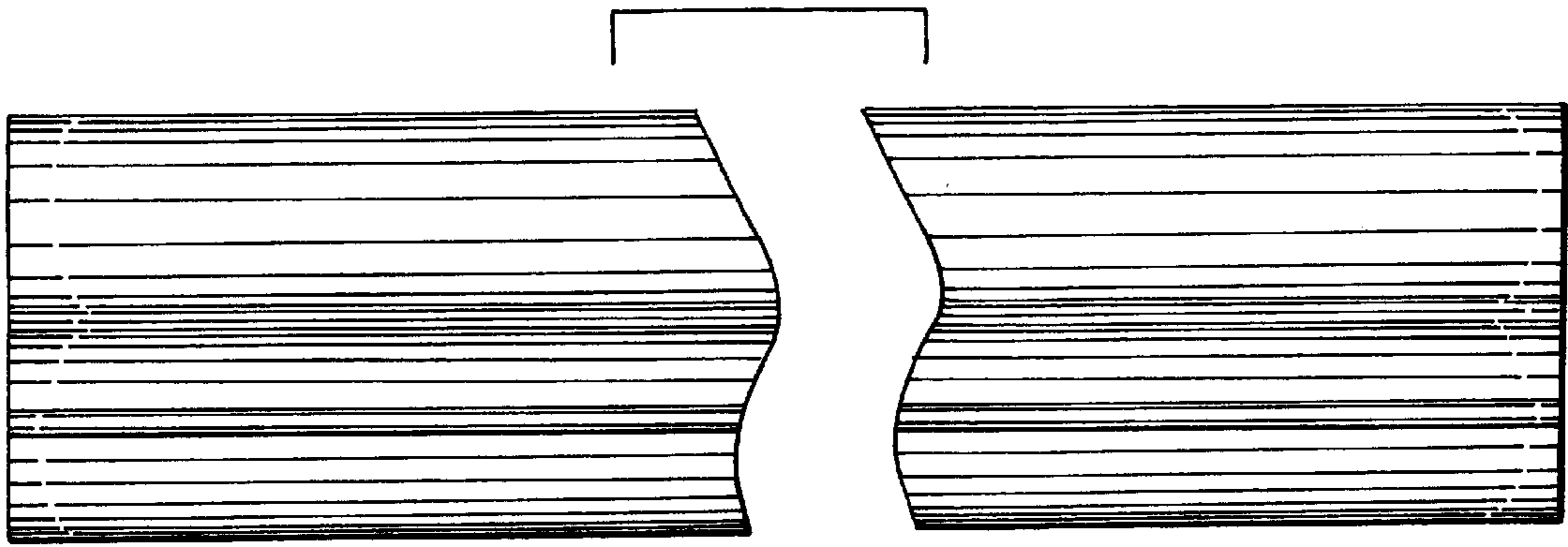


FIG. 3

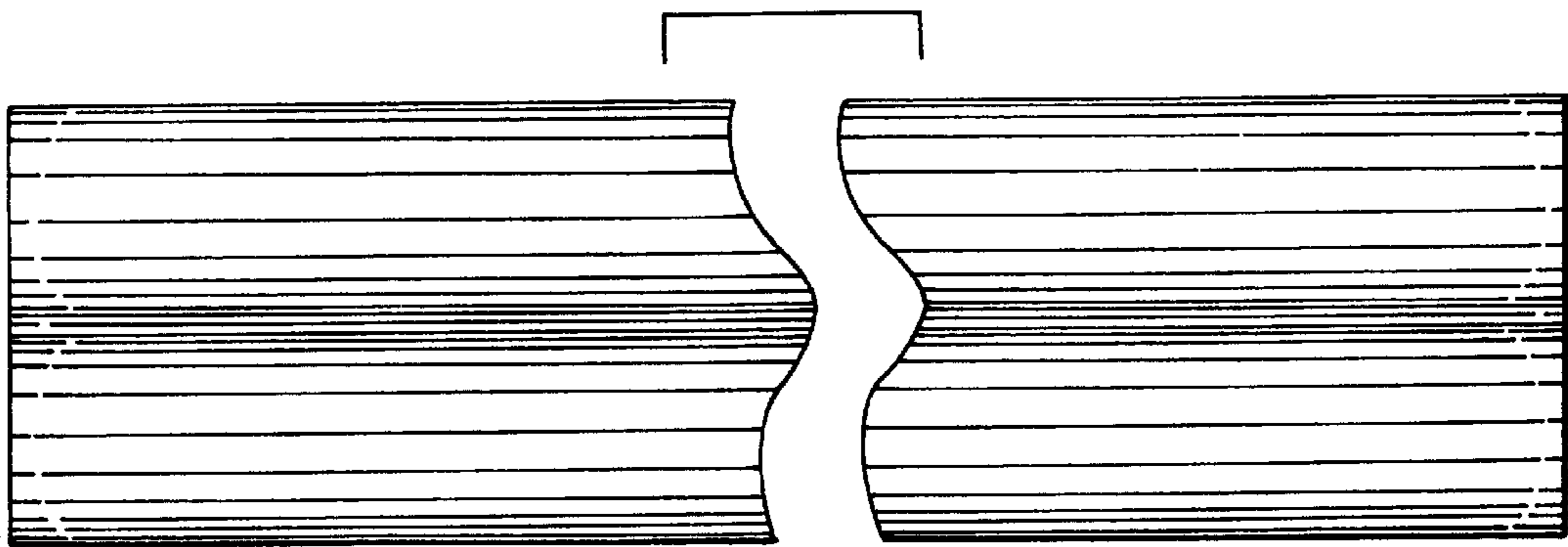


FIG. 4

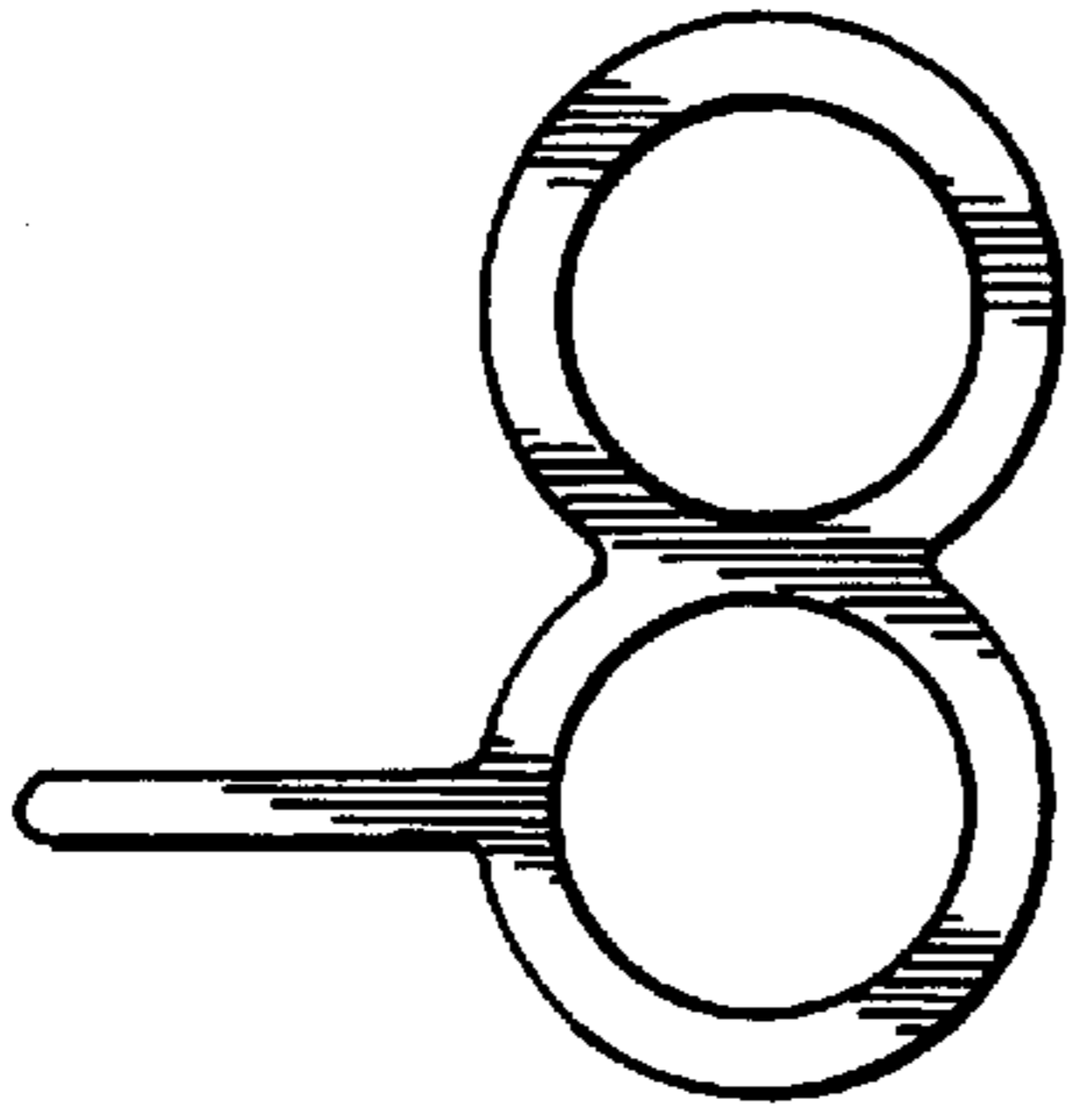


FIG. 5

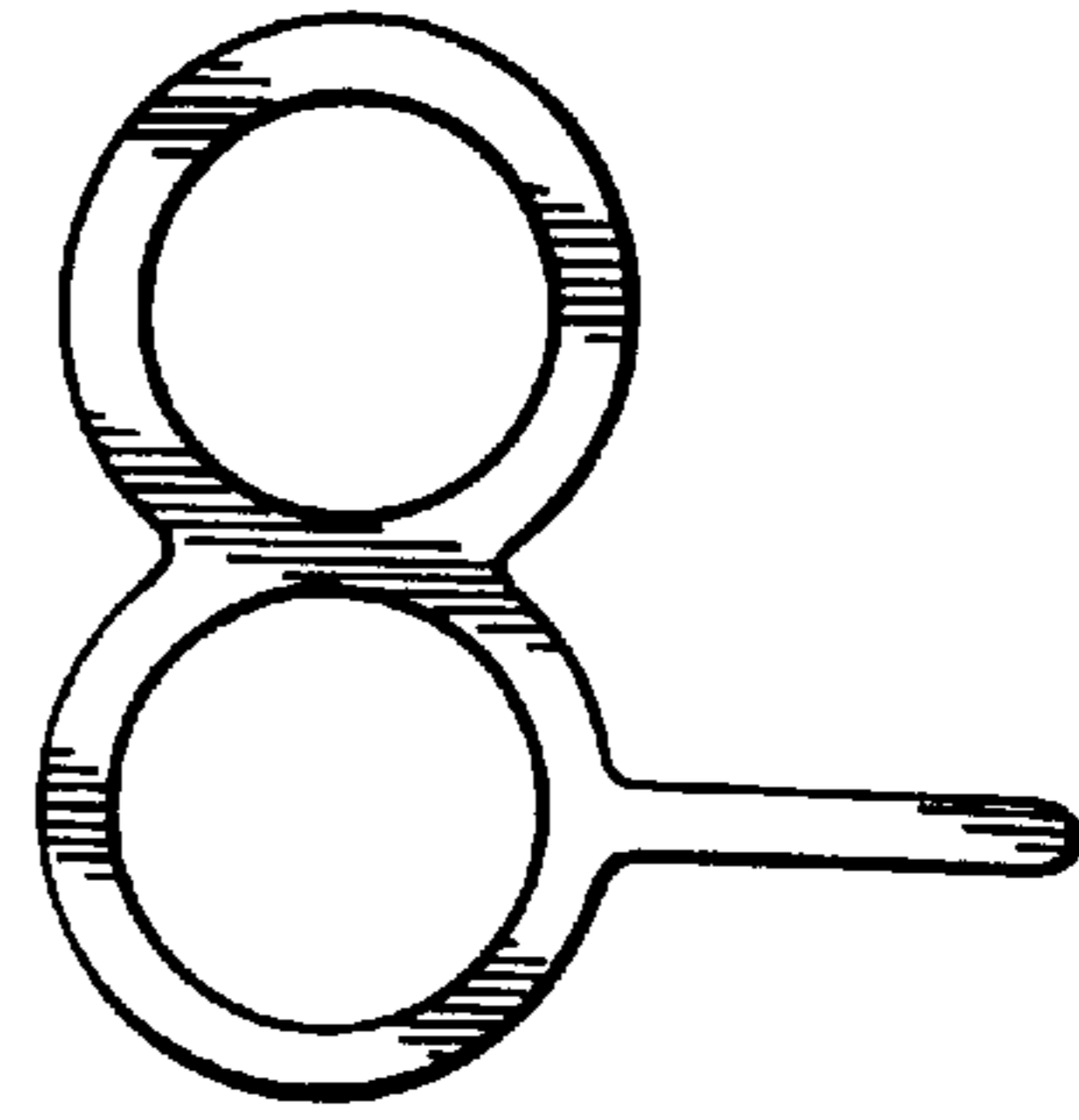


FIG. 6

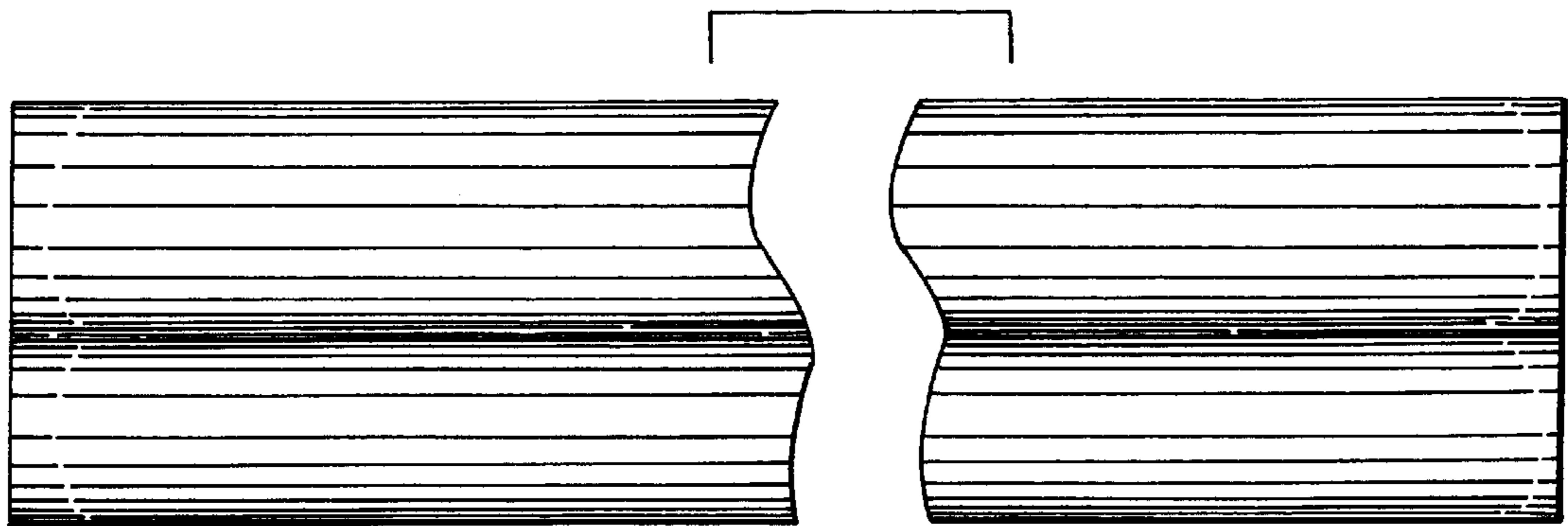


FIG. 7

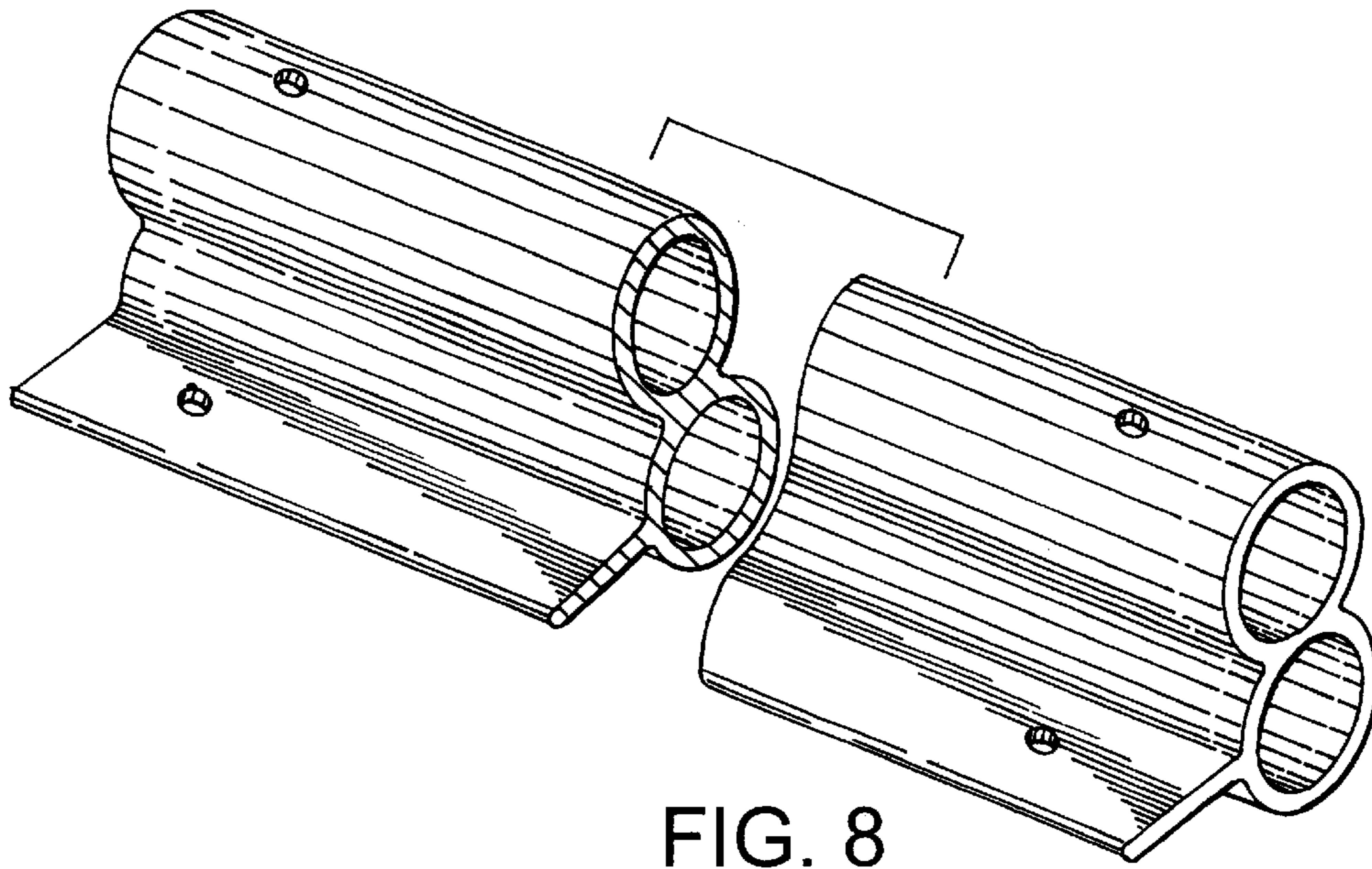


FIG. 8

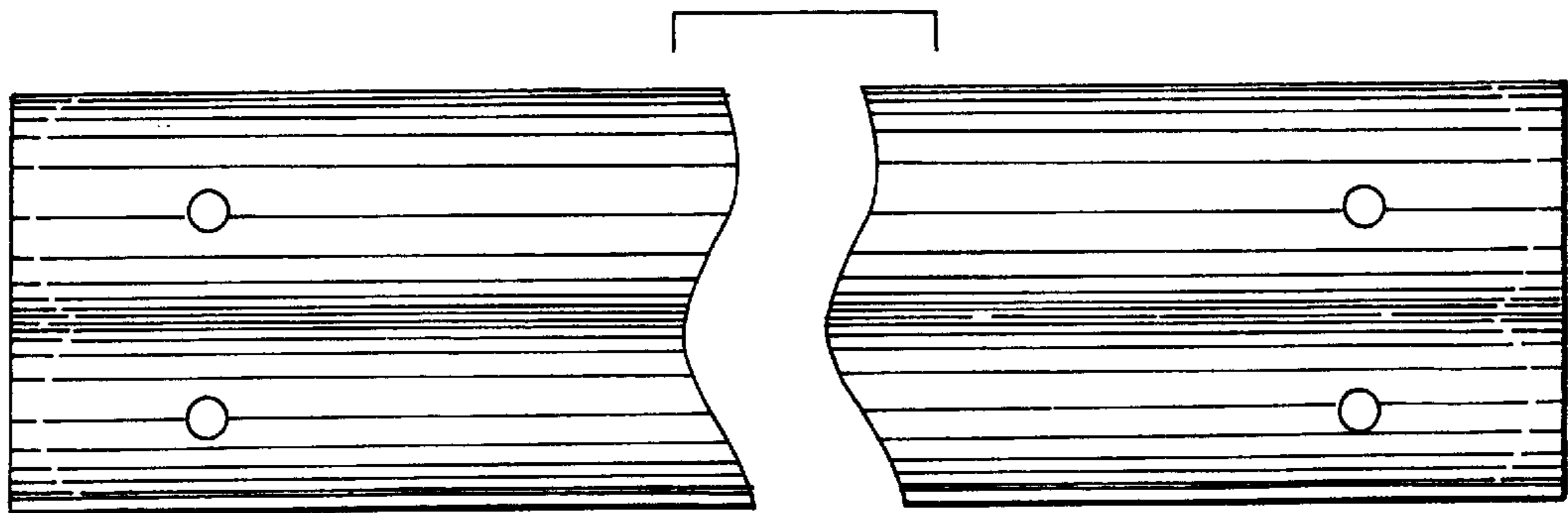


FIG. 9

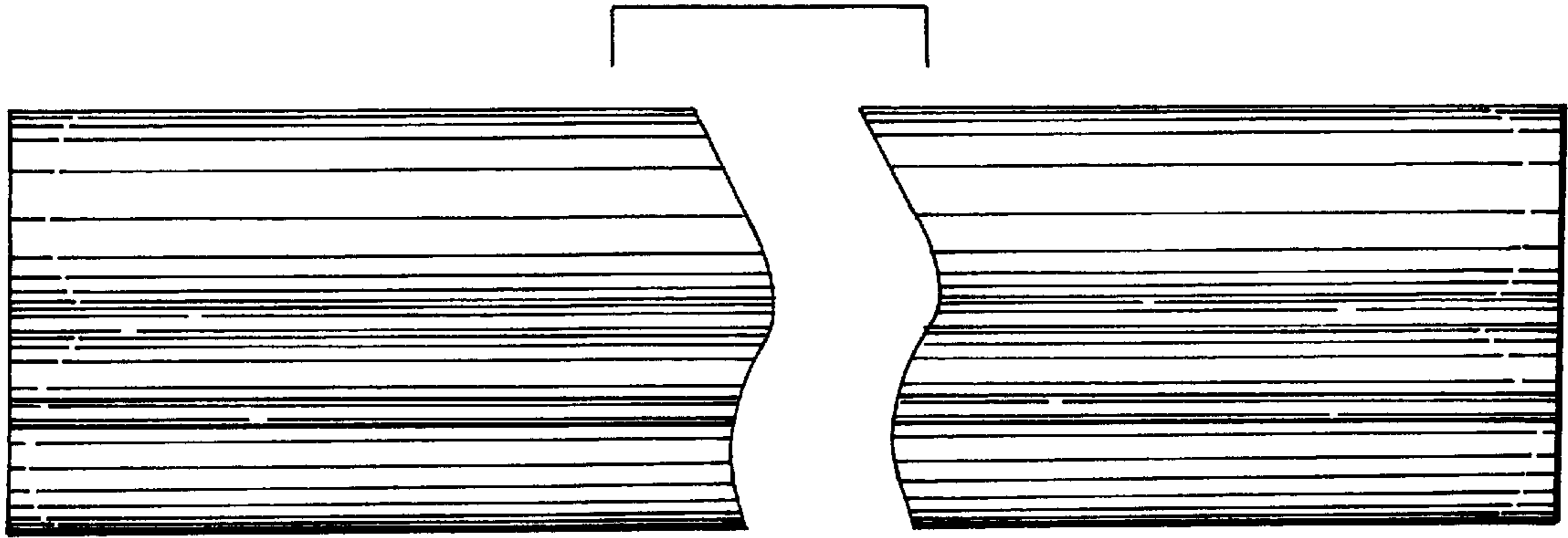


FIG. 10

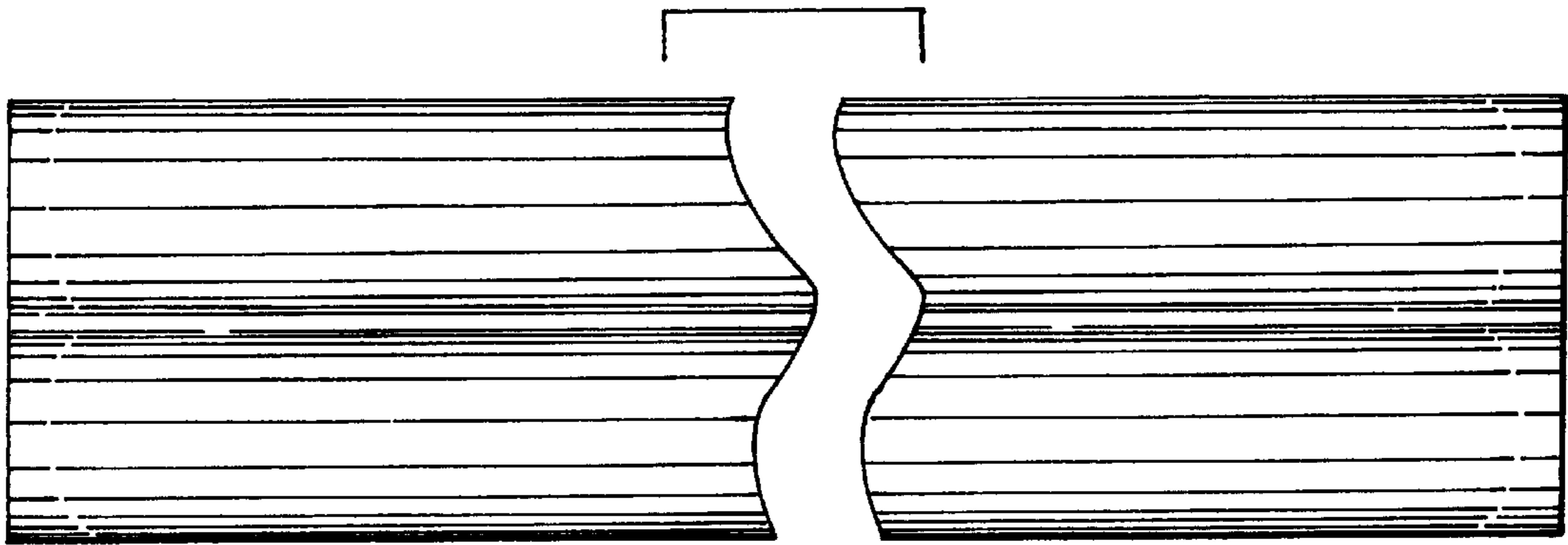


FIG. 11

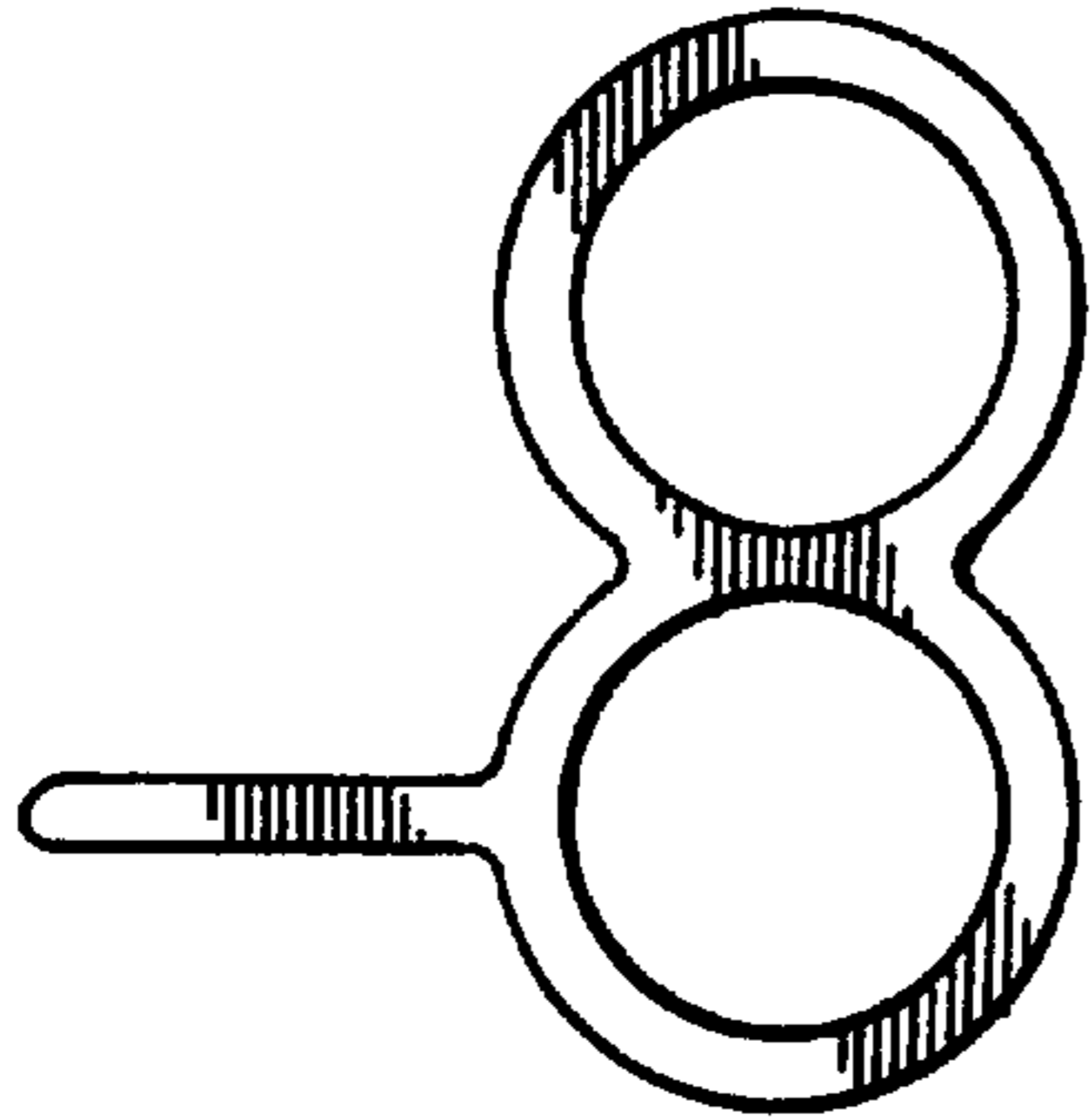


FIG. 12

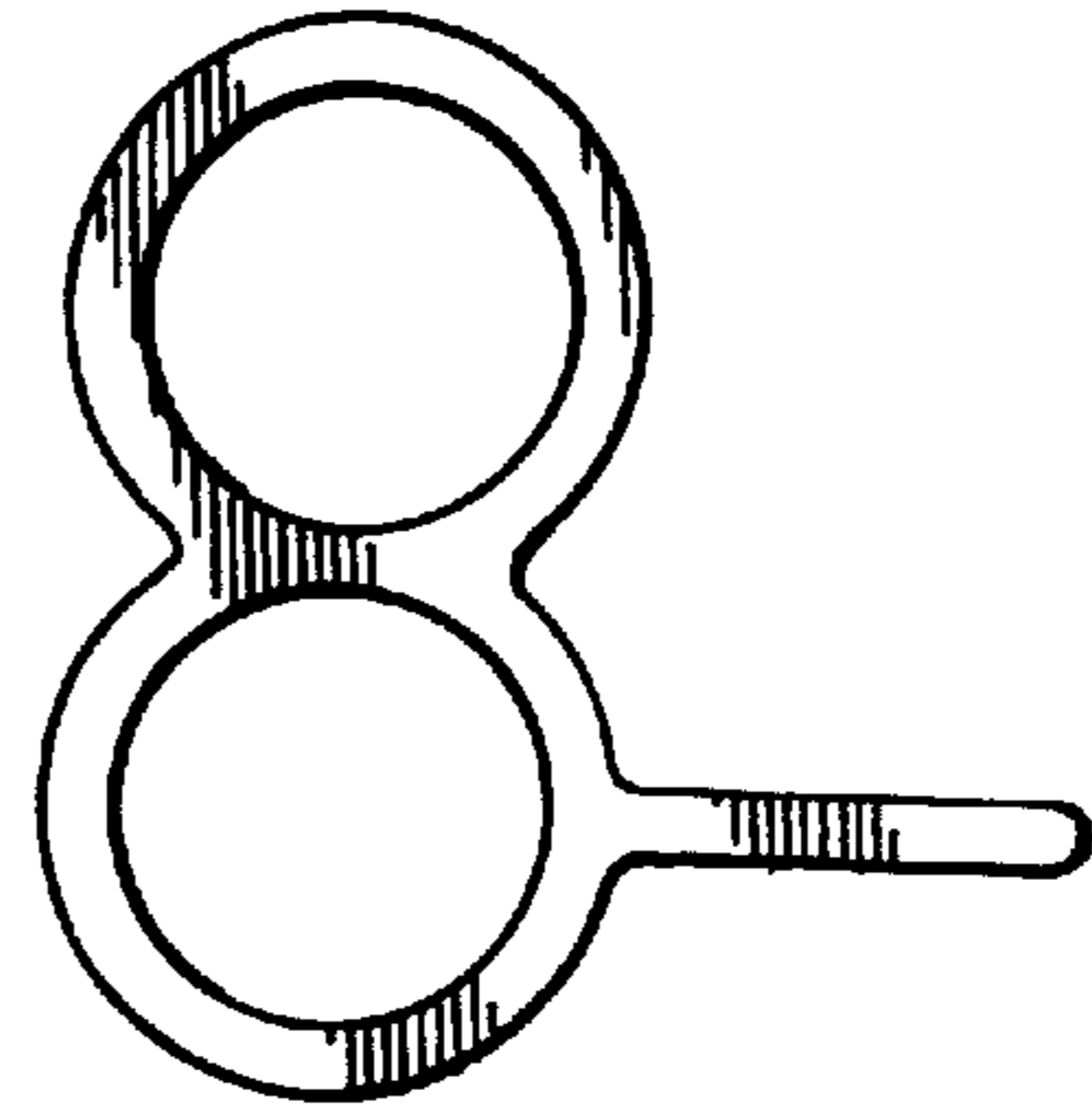


FIG. 13

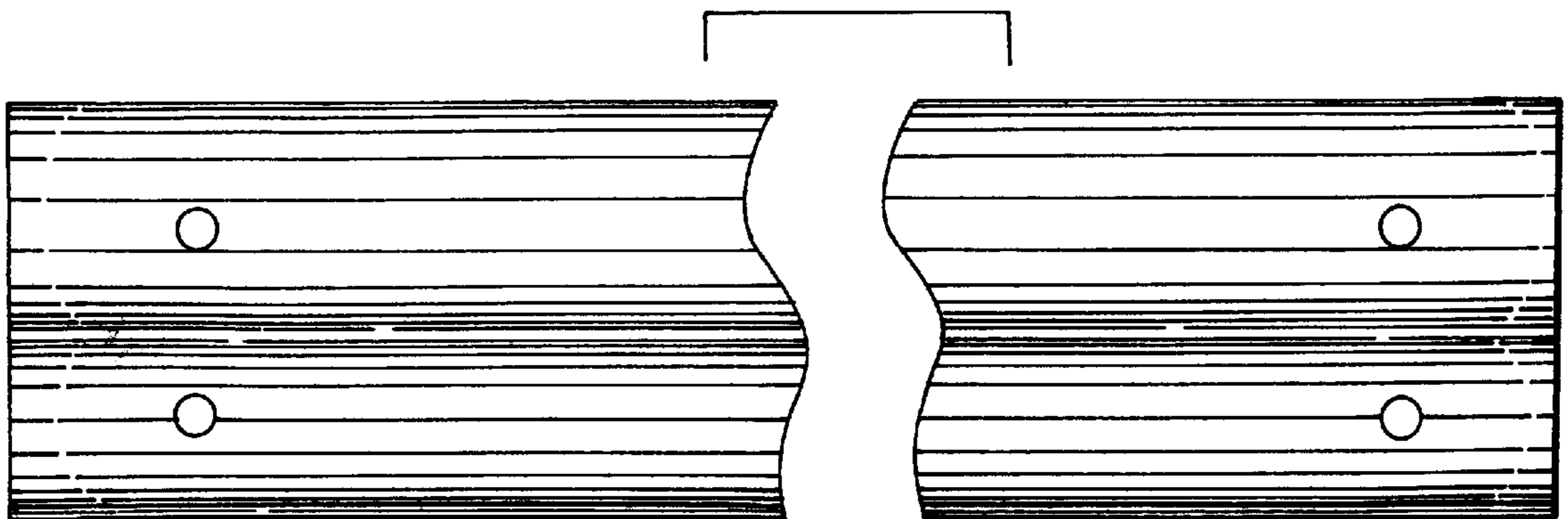


FIG. 14