



US00D474997S

(12) **United States Design Patent**
Berzack

(10) **Patent No.:** **US D474,997 S**

(45) **Date of Patent:** **** May 27, 2003**

(54) **FIVE-HOLE BUTTON**

6,393,669 B1 * 5/2002 Kalinowski 24/90.1

(76) Inventor: **Harry L. Berzack**, 2319 Fernbank Dr.,
Charlotte, NC (US) 28226

* cited by examiner

(**) Term: **14 Years**

Primary Examiner—Louis S. Zarfaz
Assistant Examiner—Gregory Andoll
(74) *Attorney, Agent, or Firm*—Adams, Schwartz & Evans,
P.A.

(21) Appl. No.: **29/145,984**

(22) Filed: **Aug. 1, 2001**

(57) **CLAIM**

(51) **LOC (7) Cl.** **02-07**

I claim the ornamental design for a five-hole button, as shown.

(52) **U.S. Cl.** **D11/222**

(58) **Field of Search** 112/475.15; D11/222-228;
24/90, 90.1, 90.5, 92, 94, 103, 623, 625,
114.9

DESCRIPTION

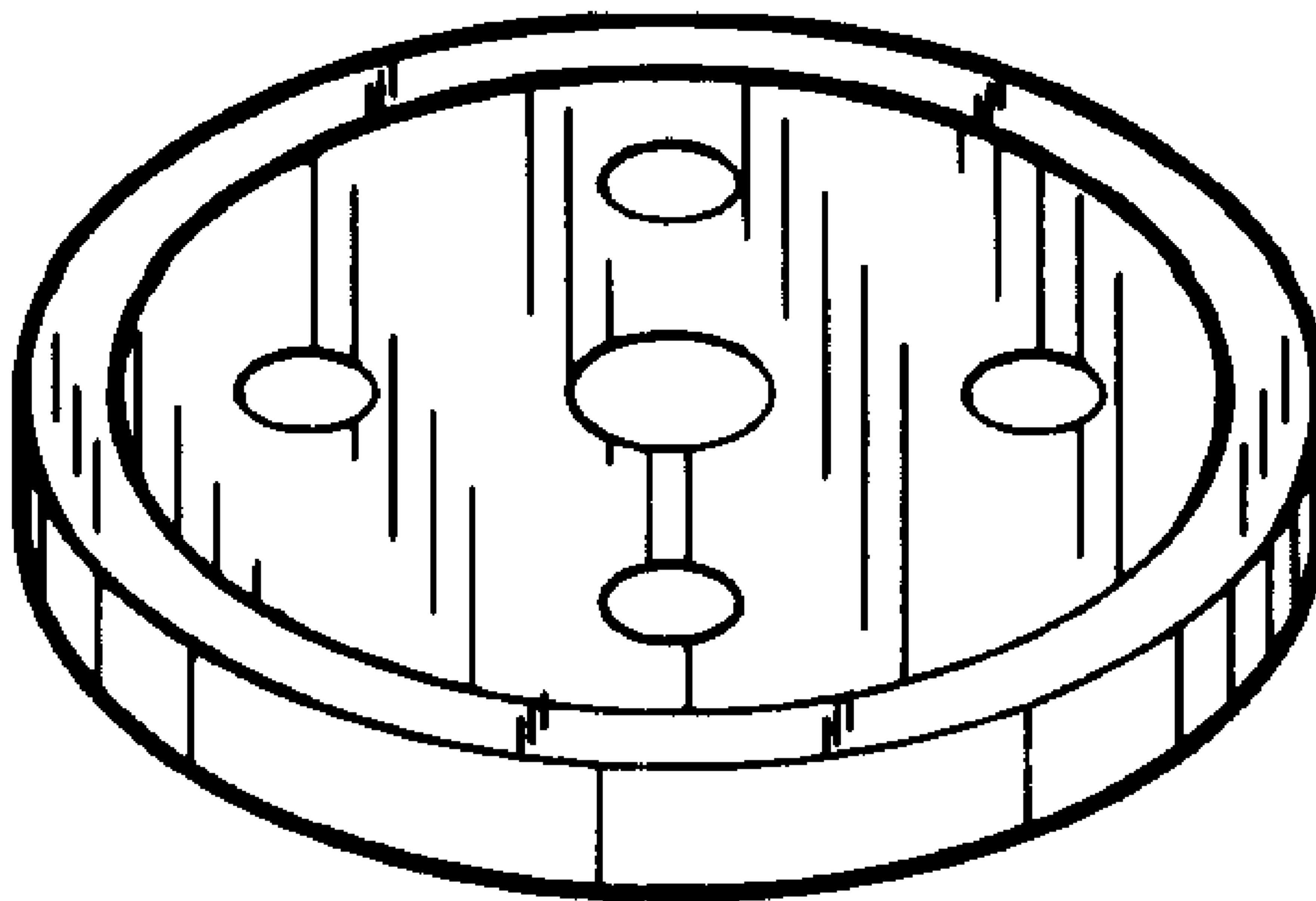
(56) **References Cited**

U.S. PATENT DOCUMENTS

- 310,361 A * 1/1885 Berman 24/114.9
- 615,336 A * 12/1898 Adams 24/623
- 5,273,552 A * 12/1993 Pozzoli 24/90.1
- D377,919 S * 2/1997 Singer et al. D11/222

FIG. 1 is a top perspective view of a five-hole button according to the present design;
FIG. 2 is a top view thereof;
FIG. 3 is a side view thereof;
FIG. 4 is a bottom perspective view thereof; and,
FIG. 5 is a bottom view thereof.

1 Claim, 1 Drawing Sheet



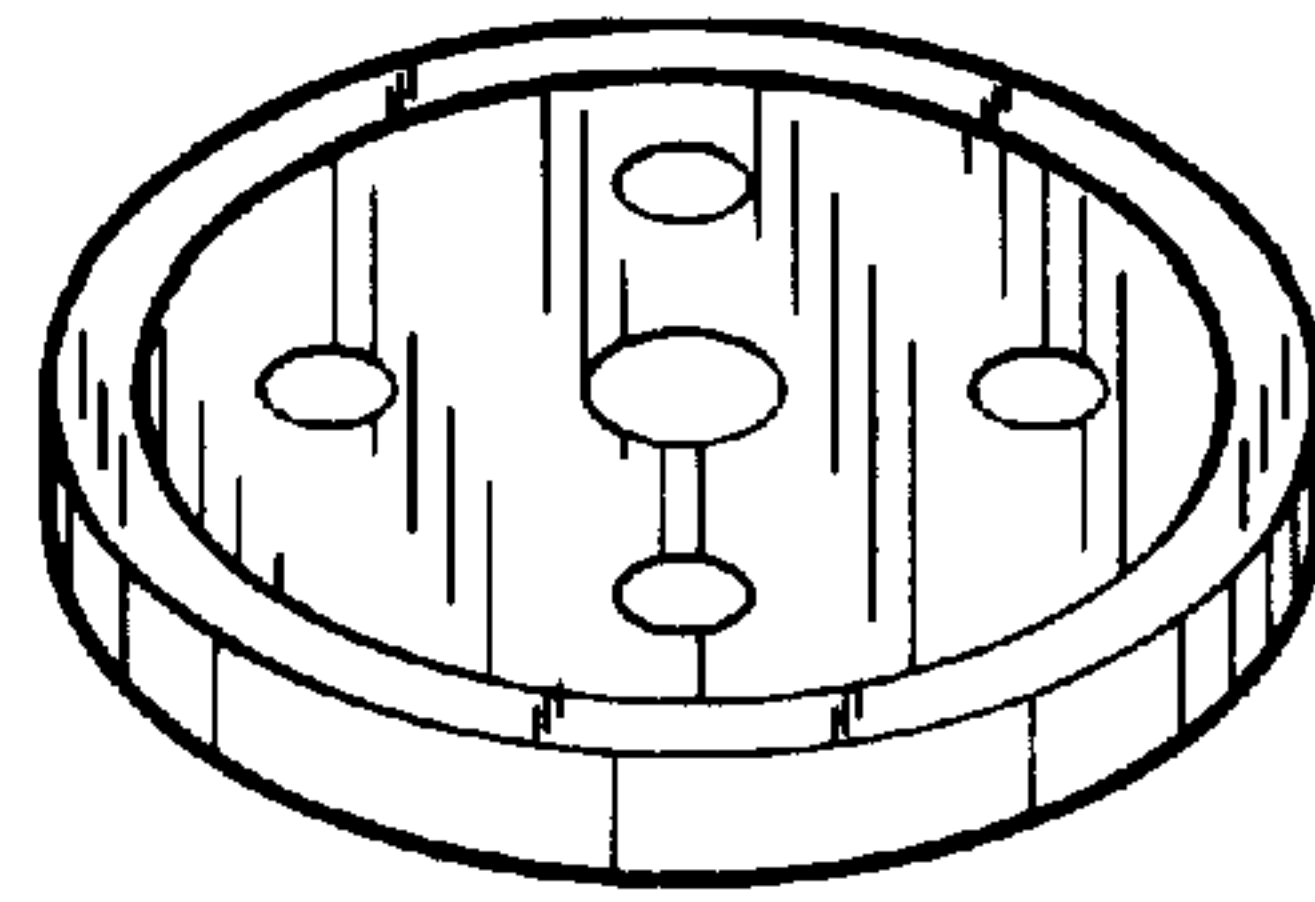


Fig. 1

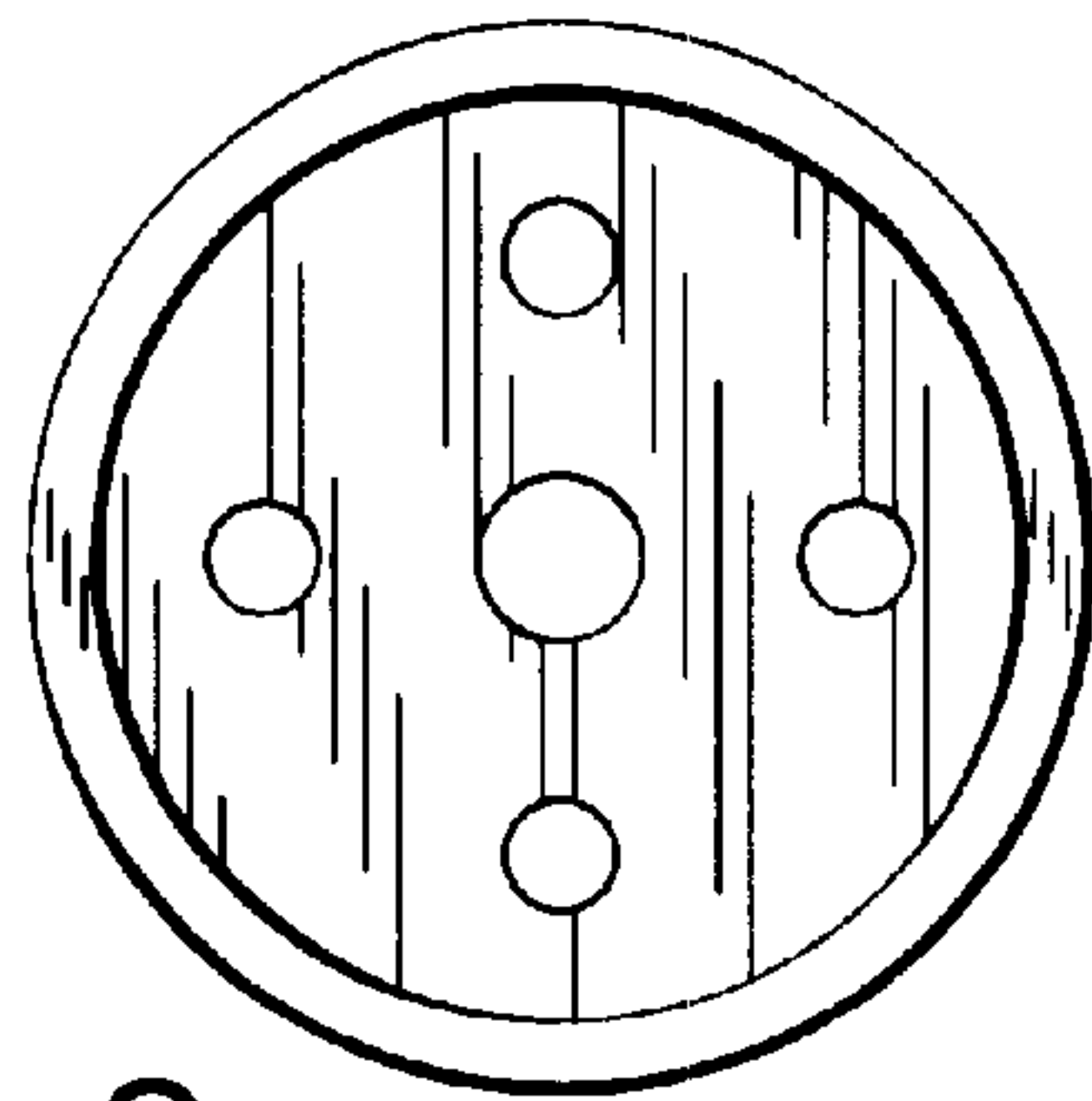


Fig. 2

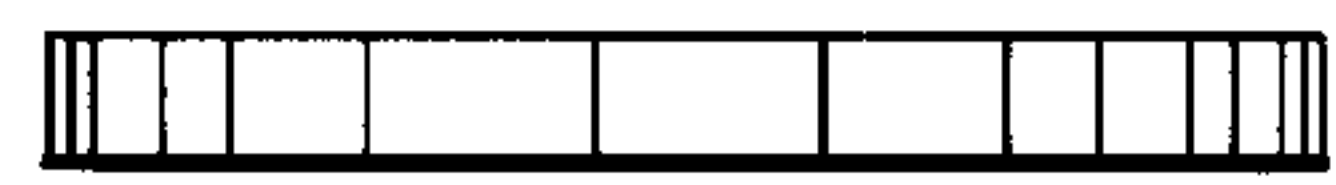


Fig. 3

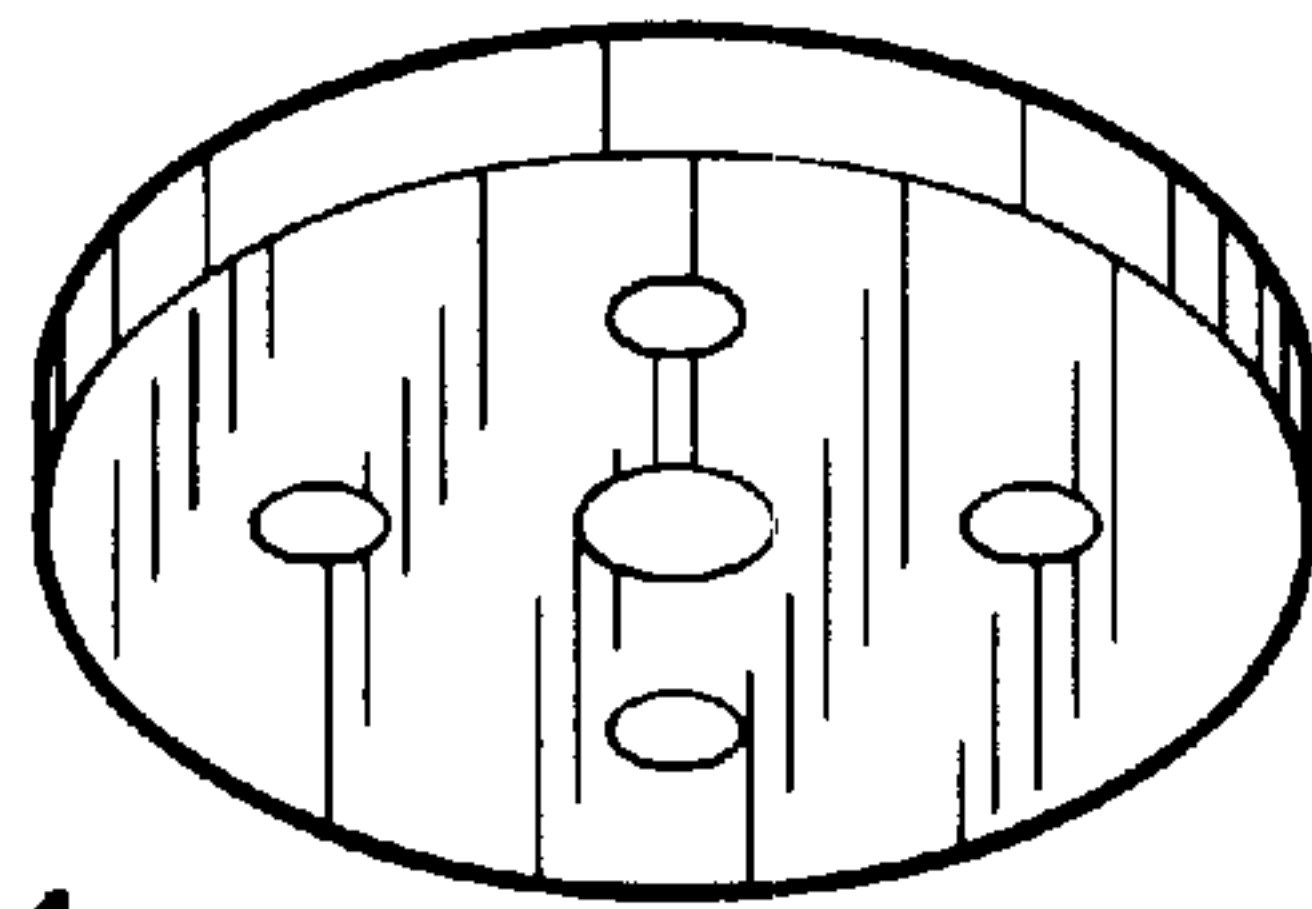


Fig. 4

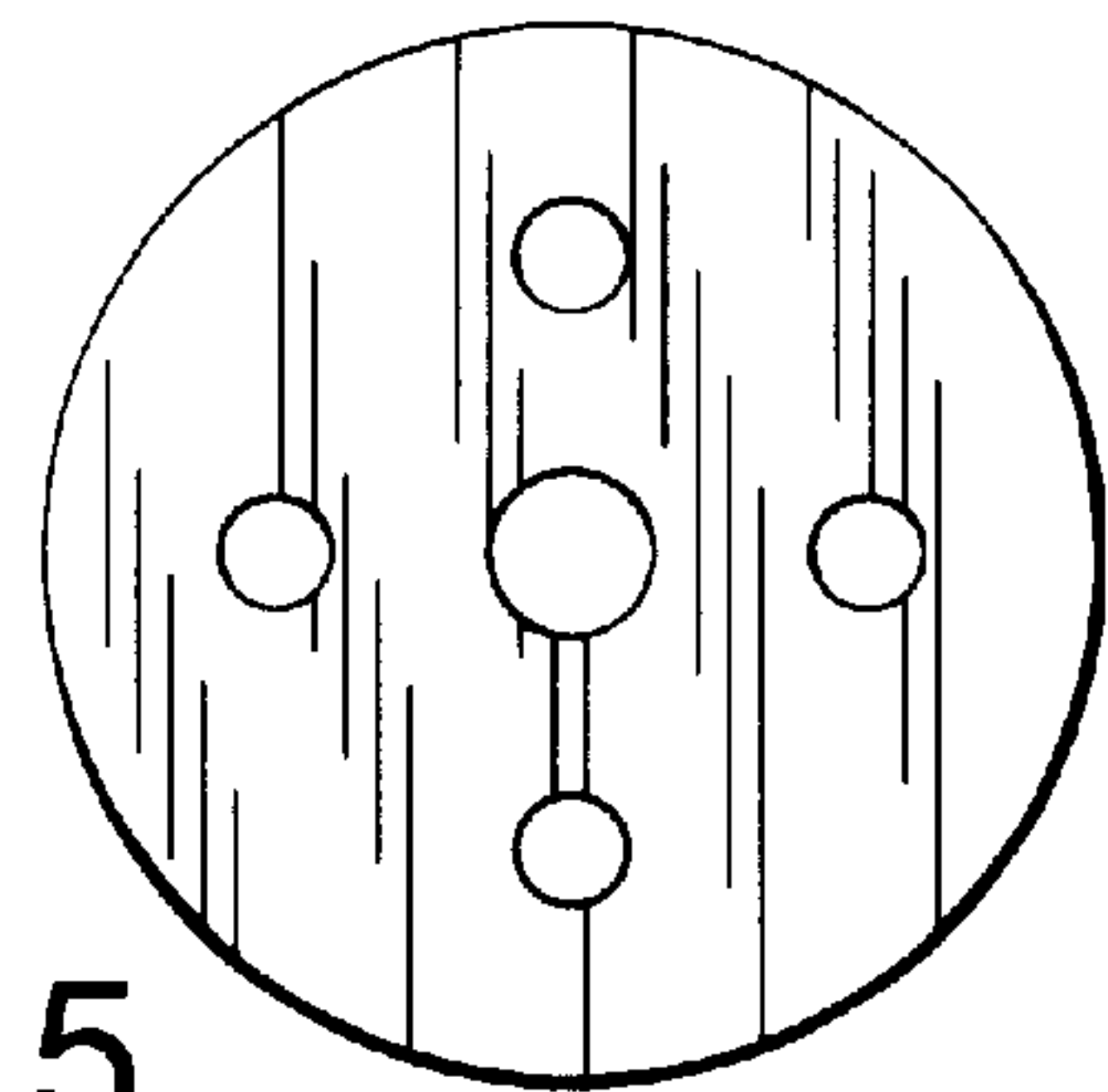


Fig. 5