



US00D474985S

(12) **United States Design Patent**  
**Cooper et al.**

(10) **Patent No.:** **US D474,985 S**

(45) **Date of Patent:** **\*\* May 27, 2003**

(54) **LASER LEVEL**

(74) *Attorney, Agent, or Firm*—Adan Ayala

(75) Inventors: **Vincent P. Cooper**, Baltimore, MD  
(US); **D. Scott Evans**, Mathews, VA  
(US)

(57) **CLAIM**

The ornamental design for a laser level, as shown and described.

(73) Assignee: **Black & Decker Inc.**, Newark, DE  
(US)

**DESCRIPTION**

(\*\*) Term: **14 Years**

FIG. 1 is a perspective view from the left side of an embodiment of a laser level according to the invention. FIG. 2 is a front elevational view of the embodiment. FIG. 3 is a rear elevational view of the embodiment. FIG. 4 is a left side elevational view of the embodiment. FIG. 5 is a right side elevational view of the embodiment. FIG. 6 is a top plan view of the embodiment; and, FIG. 7 is a bottom plan view of of the embodiment. In the above drawings, any portions shown in broken lines do not form a part of the invention.

(21) Appl. No.: **29/164,411**

(22) Filed: **Jul. 24, 2002**

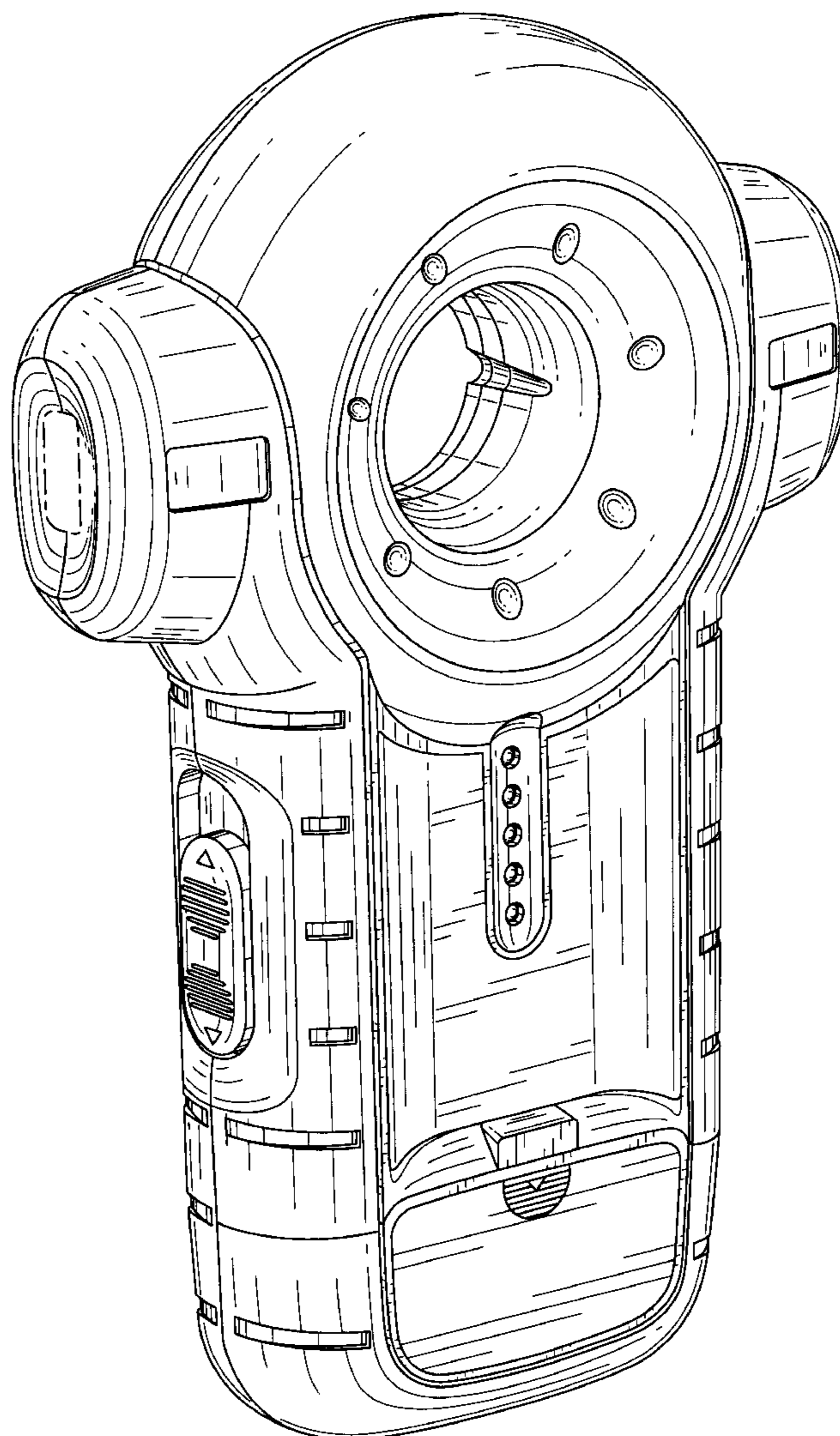
(51) **LOC (7) Cl.** ..... **10-04**

(52) **U.S. Cl.** ..... **D10/69**

(58) **Field of Search** ..... D10/69; 33/291,  
33/295, DIG. 21; 356/138, 249, 250; 372/9-30

*Primary Examiner*—Antoine Duval Davis

**1 Claim, 6 Drawing Sheets**



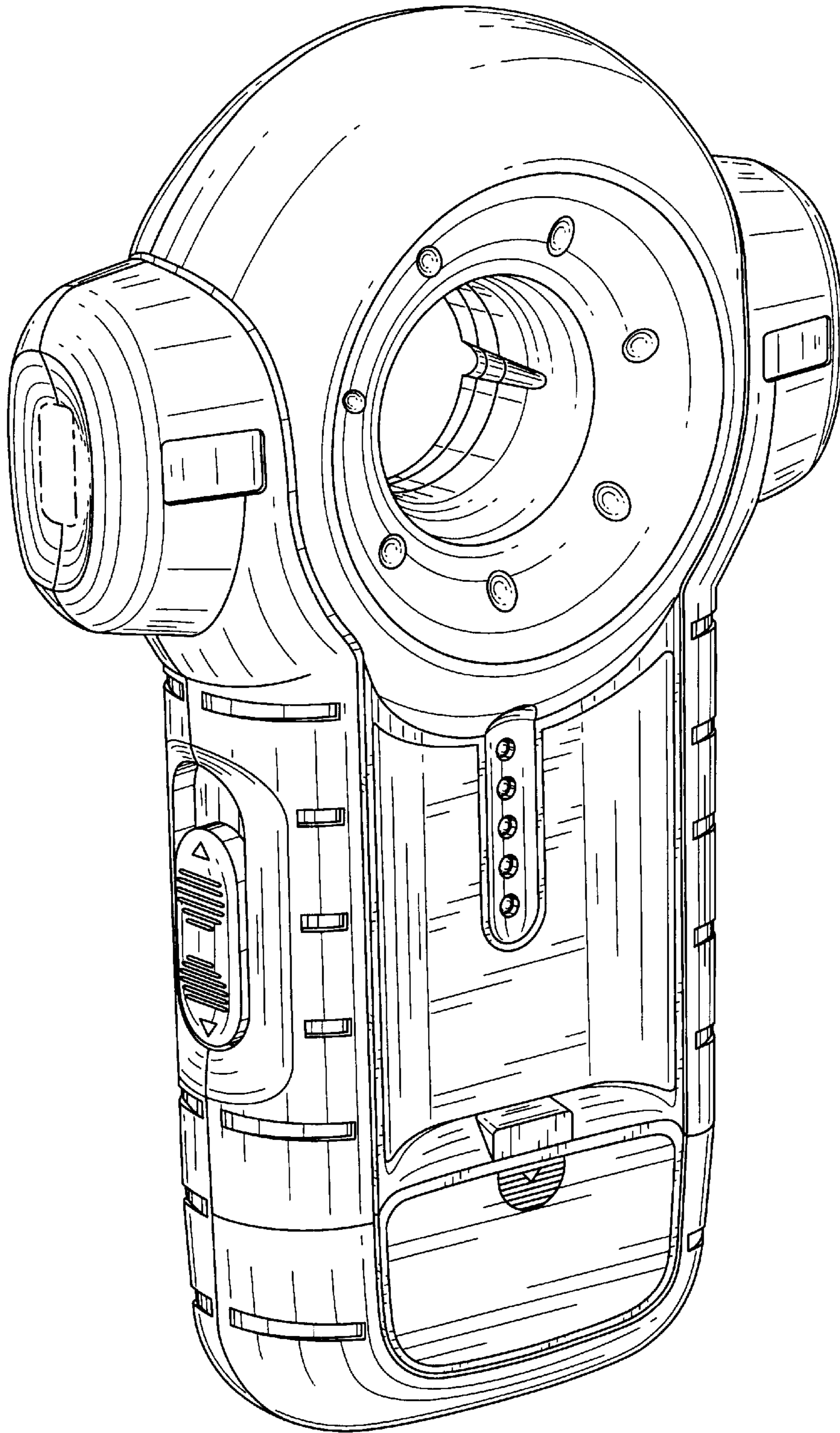


FIG. 1

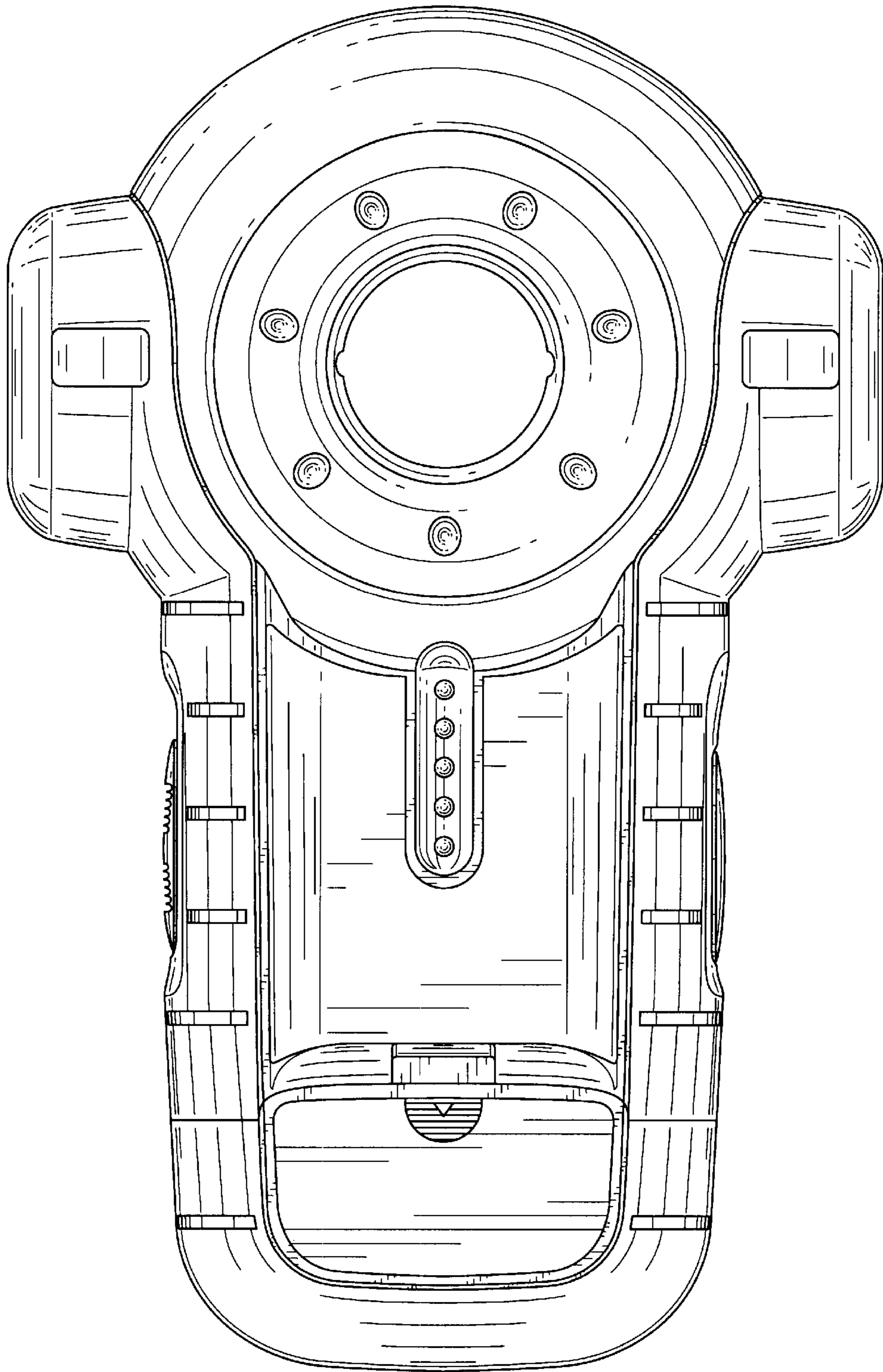


FIG. 2



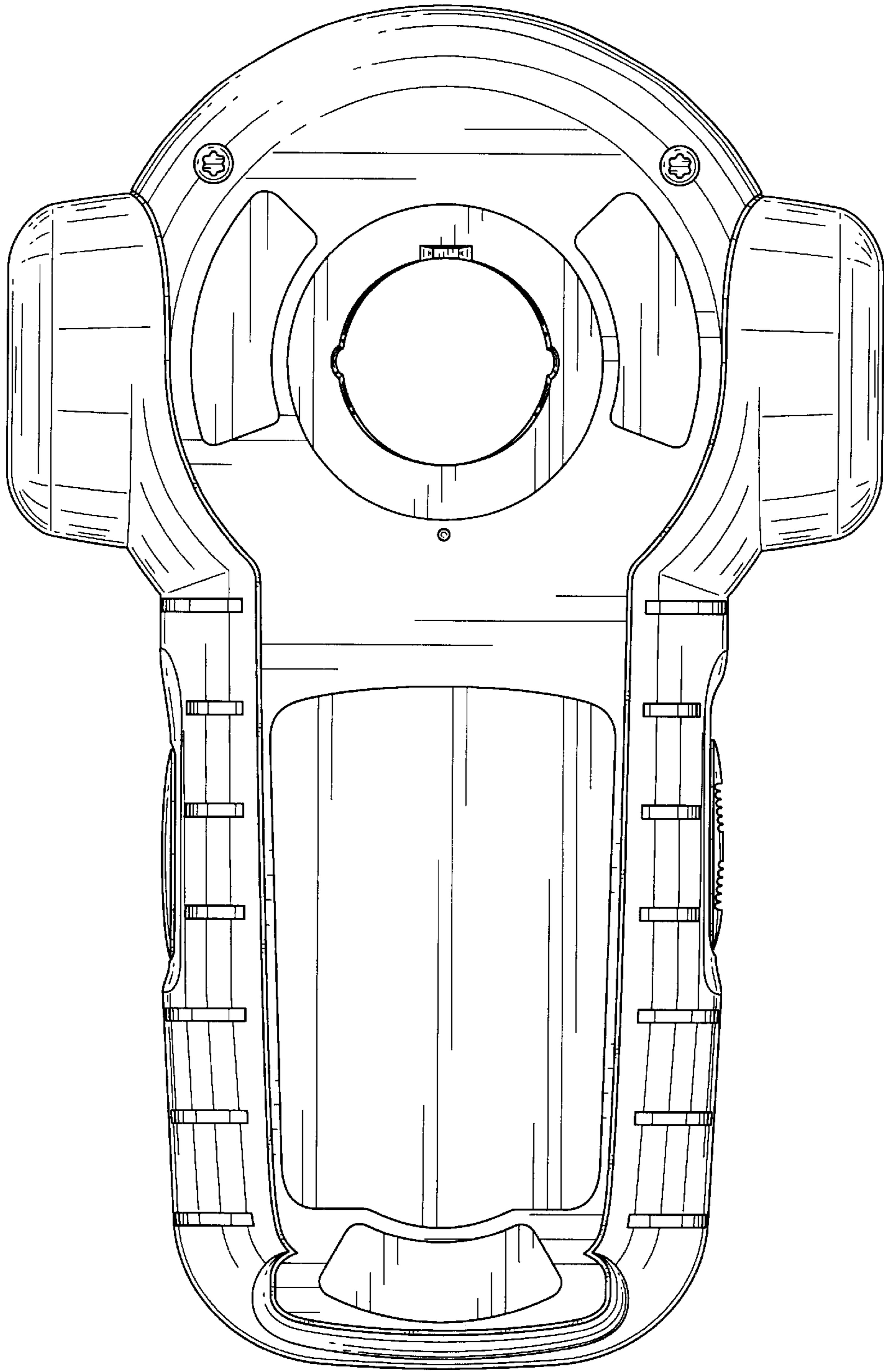


FIG. 3

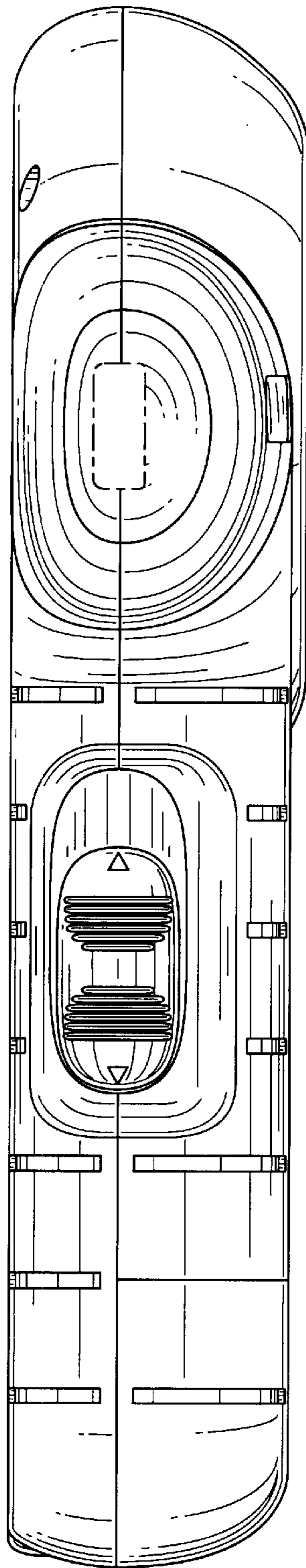


FIG. 4

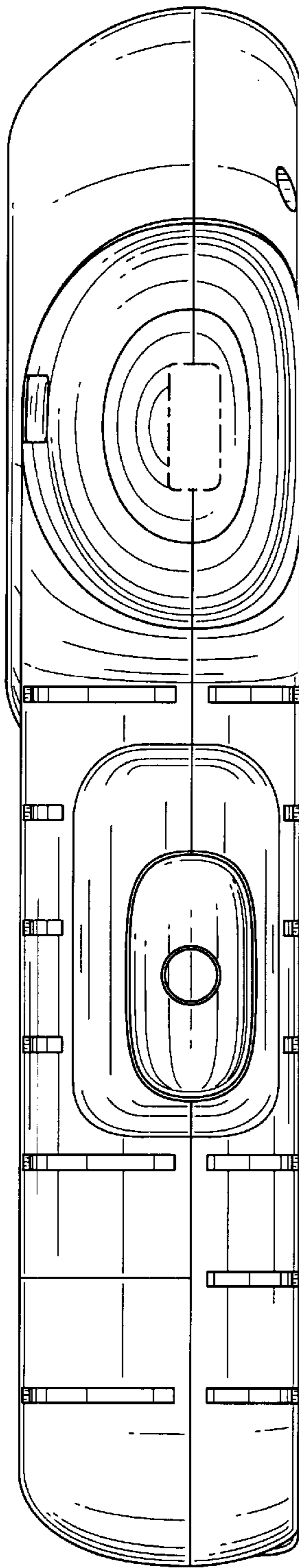


FIG. 5

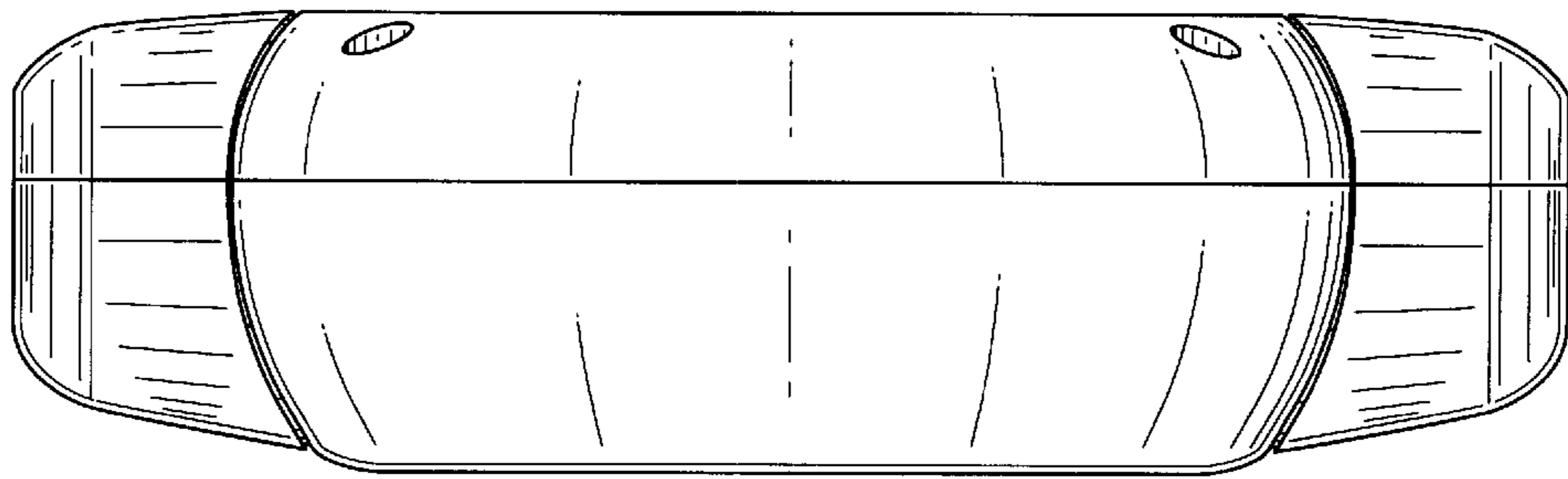


FIG. 6

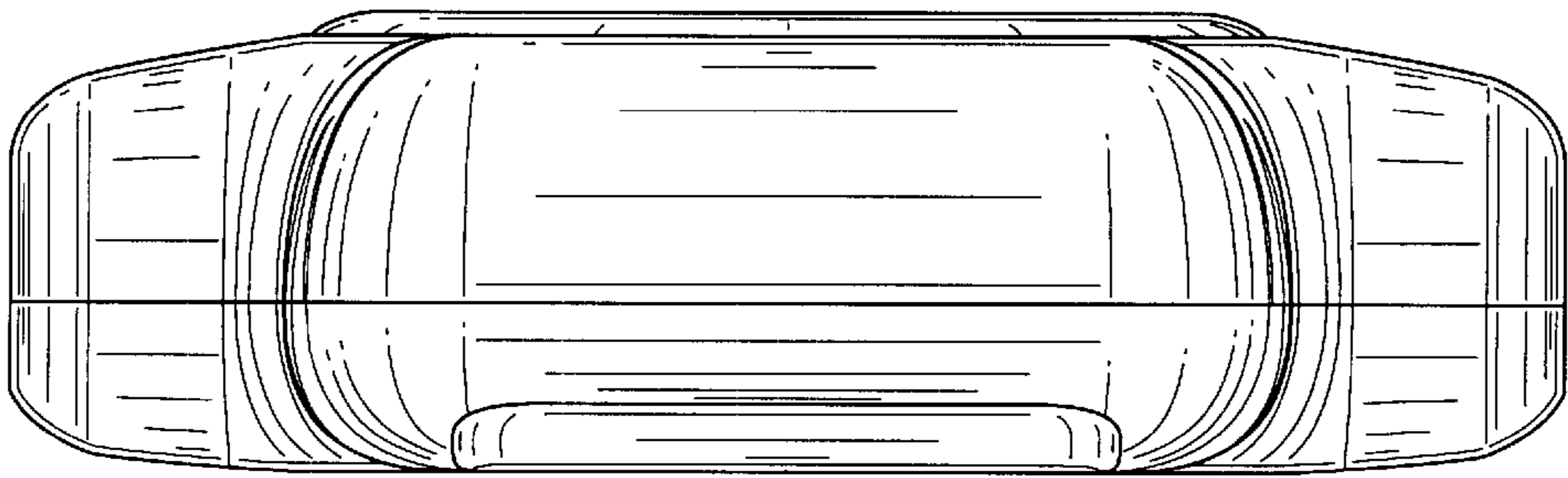


FIG. 7