



US00D474981S

(12) **United States Design Patent**  
**Wilson**

(10) **Patent No.:** **US D474,981 S**

(45) **Date of Patent:** **\*\* May 27, 2003**

(54) **PORTION OF A WATCH**

(75) Inventor: **Scott H. Wilson**, Portland, OR (US)

(73) Assignee: **Nike, Inc.**, Beaverton, OR (US)

(\*\*) Term: **14 Years**

(21) Appl. No.: **29/165,613**

(22) Filed: **Aug. 15, 2002**

(51) **LOC (7) Cl.** ..... **10-02**

(52) **U.S. Cl.** ..... **D10/32**

(58) **Field of Search** ..... D10/1-39, 122-132;  
368/276-277, 285, 281-282; 224/164, 168,  
178; D11/3-25; 63/1.11, 3, 5, 11

(56) **References Cited**

**U.S. PATENT DOCUMENTS**

1,752,128 A	3/1930	Vetter	
2,057,913 A	10/1936	Piacentini	
2,184,060 A	12/1939	Singer	
2,189,096 A	2/1940	Alonge	
D119,638 S	3/1940	Ornstein	
2,328,785 A	9/1943	Cozart	
2,342,804 A	2/1944	Hiller	
2,344,136 A	3/1944	Dressen	
D139,596 S	12/1944	Preas	
D143,816 S	2/1946	Flatau	
2,461,095 A	2/1949	Truxell	
2,463,243 A	3/1949	Carter	
2,472,351 A	6/1949	Tyler	
2,482,660 A	9/1949	Dewey	
2,513,892 A	7/1950	Pile	
2,553,089 A	5/1951	Holder	
D166,149 S	* 3/1952	Fass	..... D10/132
D243,318 S	* 2/1977	Kurihara	..... D10/32
D245,766 S	9/1977	Cruse	
4,178,751 A	12/1979	Liautaud	
D267,077 S	11/1982	Kabaya	
4,627,739 A	12/1986	Shingo et al.	
D297,622 S	9/1988	Lee	
4,879,702 A	11/1989	Gardner	
4,958,279 A	9/1990	Proellochs	
5,008,864 A	4/1991	Yoshitake	

5,086,418 A	2/1992	Marcus
D325,174 S	4/1992	Bulgari
D337,739 S	7/1993	Robert-Tissot
D340,192 S	10/1993	Robert-Tissot
D340,647 S	10/1993	Robert-Tissot
D356,269 S	3/1995	Milovanovic
D361,282 S	8/1995	Bulgari
D361,524 S	8/1995	Bulgari
D363,893 S	11/1995	Avakian
D365,550 S	12/1995	Houlihan
D366,036 S	1/1996	Houlihan
5,638,342 A	6/1997	Kartsotis et al.
D383,073 S	9/1997	Miller
D388,333 S	12/1997	Wunderman
D394,391 S	5/1998	Bruce et al.
D394,394 S	5/1998	Bruce et al.
D396,651 S	8/1998	Wunderman
D397,619 S	9/1998	Lee
D398,247 S	9/1998	Dumas
D398,540 S	9/1998	Lee
5,812,500 A	9/1998	Webb, Jr.

(List continued on next page.)

*Primary Examiner*—Nelson C. Holtje

(74) *Attorney, Agent, or Firm*—Banner & Witcoff, Ltd.

(57) **CLAIM**

The ornamental design for a portion of a watch, as shown and described.

**DESCRIPTION**

FIG. 1 is a perspective view of a portion of a watch showing my new design;

FIG. 2 is a top view thereof;

FIG. 3 is a side view thereof;

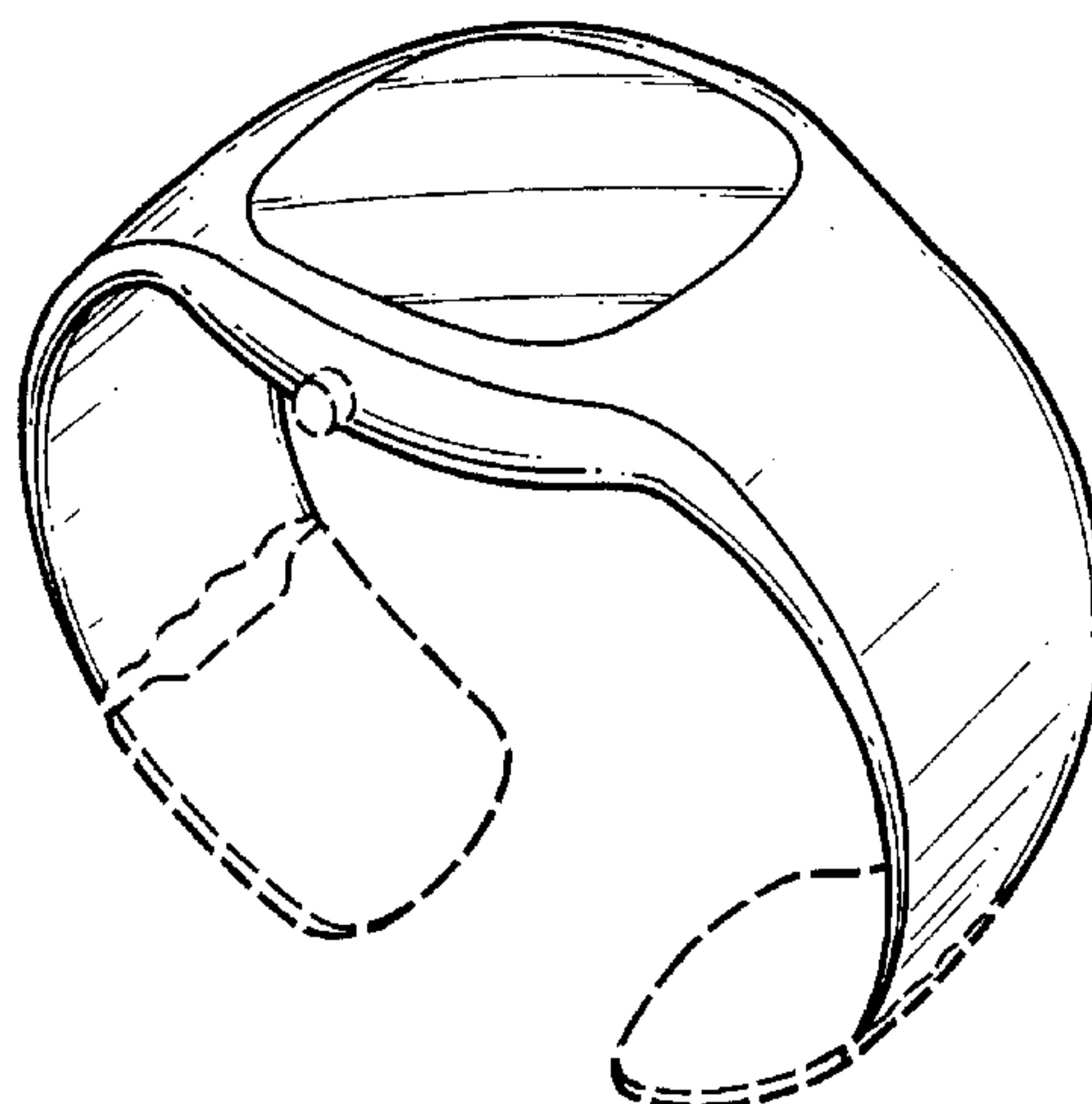
FIG. 4 is an end view thereof, the opposite end view being substantially a mirror image thereof;

FIG. 5 is a bottom view thereof; and,

FIG. 6 is a side view thereof taken opposite FIG. 3.

The broken line showing of the button and watch ends is for illustrative purposes only and forms no part of the claimed design.

**1 Claim, 3 Drawing Sheets**



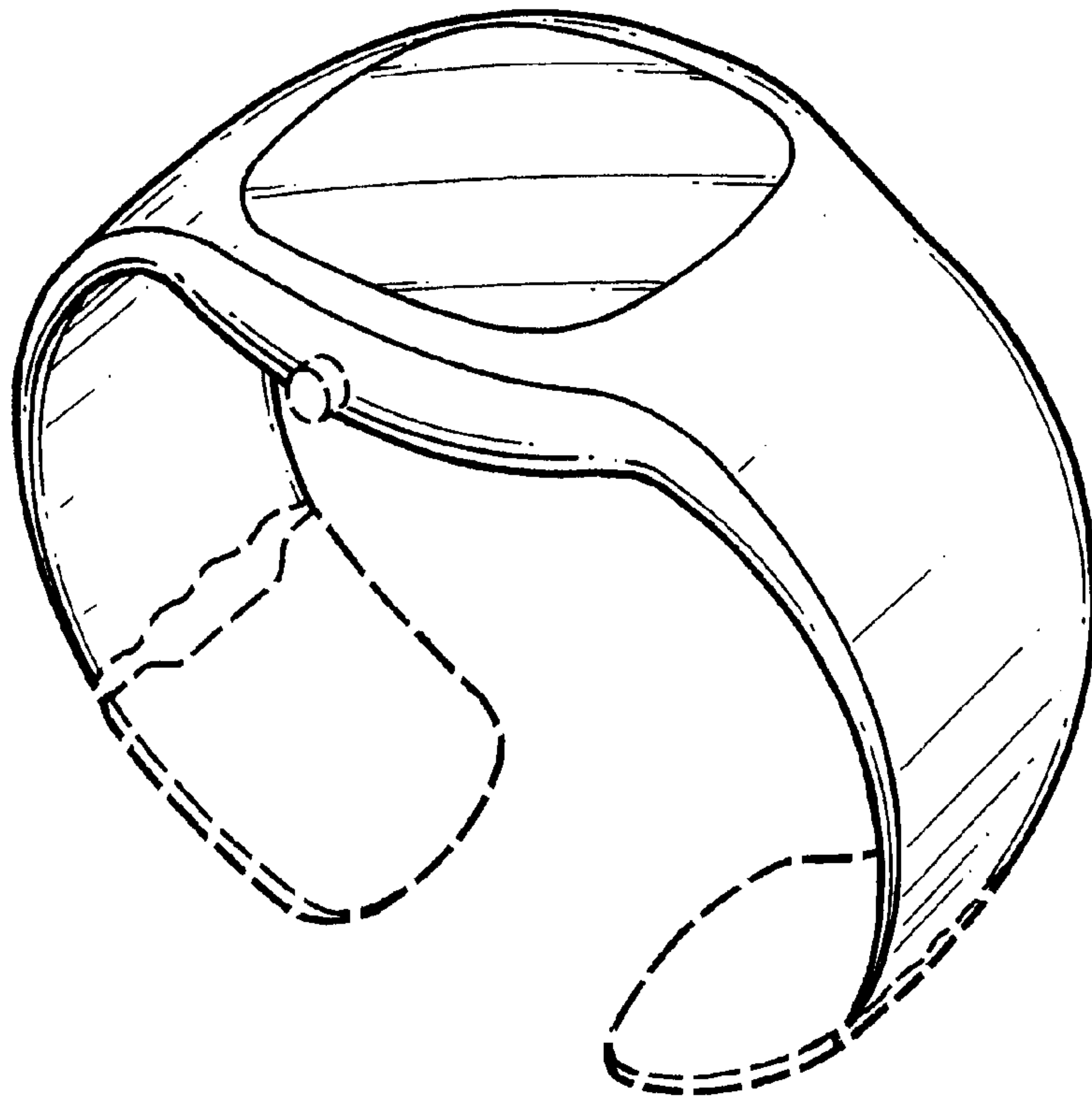
# US D474,981 S

Page 2

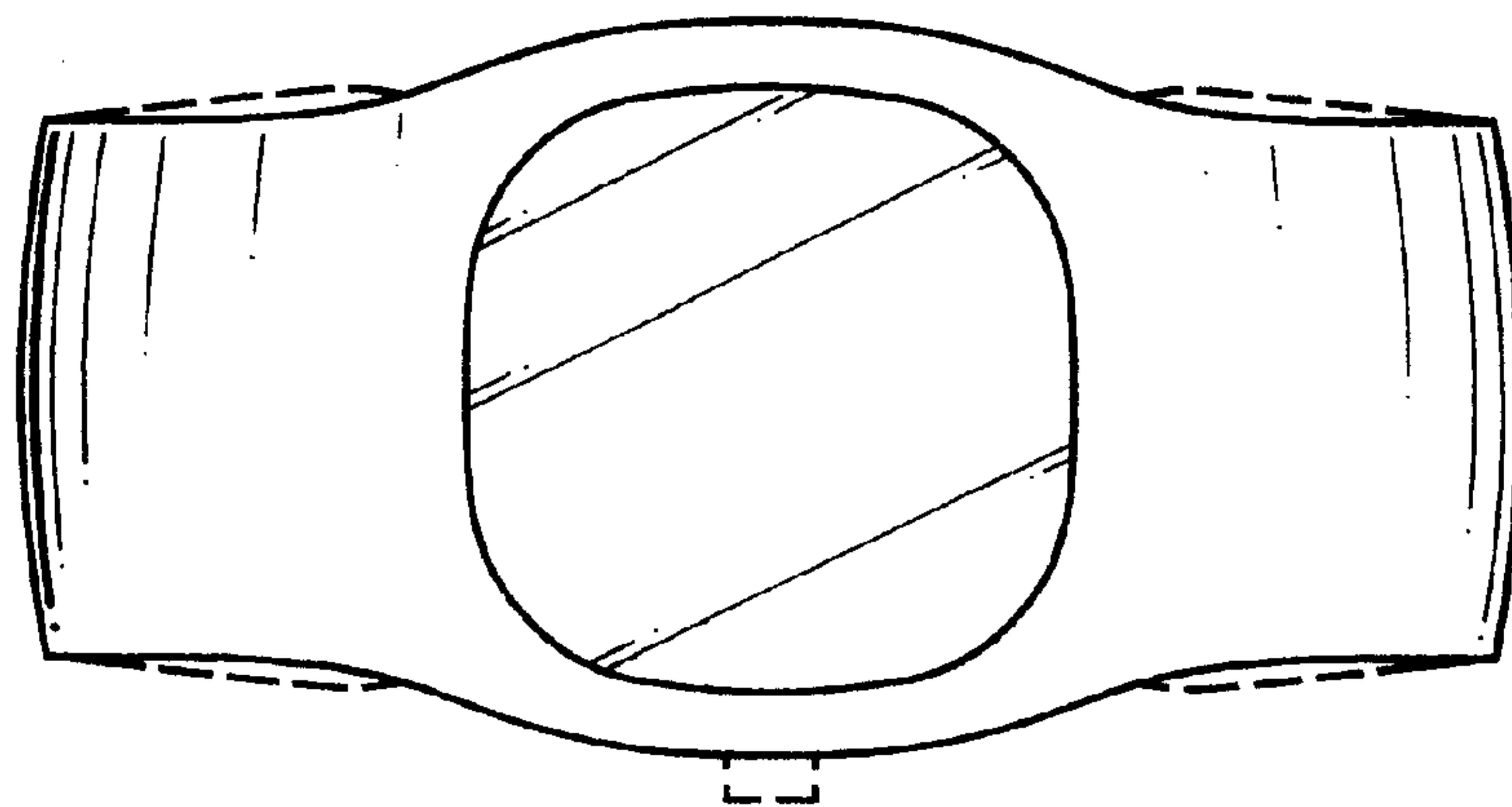
## U.S. PATENT DOCUMENTS

D400,118 S	10/1998	Itzkowitz	
D401,159 S	11/1998	Sugita et al.	
D404,316 S	1/1999	Azegami et al.	
D404,655 S	1/1999	Azegami	
D407,030 S	3/1999	Toyoshima et al.	
D410,581 S	6/1999	Tanaka	
D410,854 S	6/1999	Cheung et al.	
D413,070 S	8/1999	Charriol	
D413,531 S	* 9/1999	Philippe .....	D10/32
D415,708 S	10/1999	Yanku	
D418,442 S	1/2000	Yanku	
D423,946 S	5/2000	Jannard et al.	
D429,168 S	8/2000	Jannard et al.	
D430,495 S	9/2000	Wunderman	
D432,433 S	10/2000	Bruni	
D433,342 S	11/2000	Fox	
D434,333 S	11/2000	Riley et al.	
D434,674 S	12/2000	Shiraishi	
D434,678 S	* 12/2000	Raetz .....	D10/32
D435,461 S	12/2000	So	
D436,047 S	1/2001	Giardiello	
D438,123 S	2/2001	Choi et al.	
D438,470 S	3/2001	Choi et al.	
D439,527 S	3/2001	Kennedy	
D439,528 S	3/2001	Eliav	
D440,885 S	4/2001	Streltsov	
6,216,490 B1	4/2001	Radley-Smith	
D441,663 S	5/2001	Streltsov	
D445,041 S	7/2001	Tan et al.	
D446,461 S	8/2001	Wunderman	
D447,426 S	9/2001	Jannard et al.	
D447,700 S	9/2001	Glauser	
D448,682 S	10/2001	Sato	
D449,997 S	11/2001	Blauner et al.	
D450,600 S	11/2001	Scarinzi	
D451,035 S	11/2001	Anand	
D451,036 S	11/2001	Zuckerman et al.	
D451,819 S	12/2001	Streltsov	
D451,826 S	* 12/2001	Giardiello .....	D10/32
D452,173 S	* 12/2001	Giardiello .....	D10/32
D452,174 S	* 12/2001	Giardiello .....	D10/32
D453,475 S	2/2002	Xing	
D454,506 S	3/2002	Sato	
D455,969 S	4/2002	Wilson	
D456,277 S	4/2002	Streltsov	
D456,283 S	* 4/2002	Baumann .....	D10/32
D456,284 S	4/2002	Wilson	
D456,724 S	5/2002	Wilson	
D463,987 S	10/2002	Wilson	

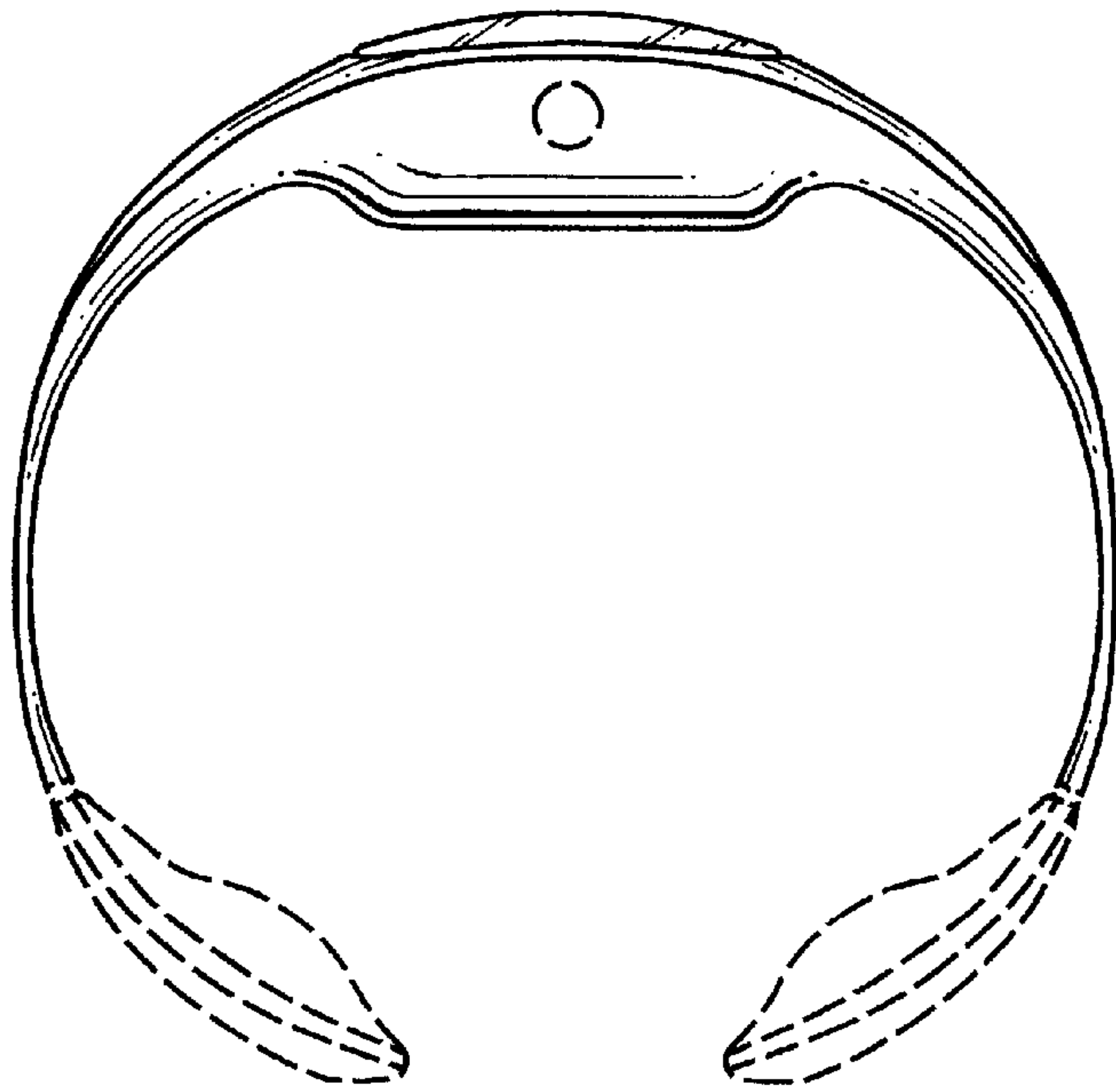
\* cited by examiner



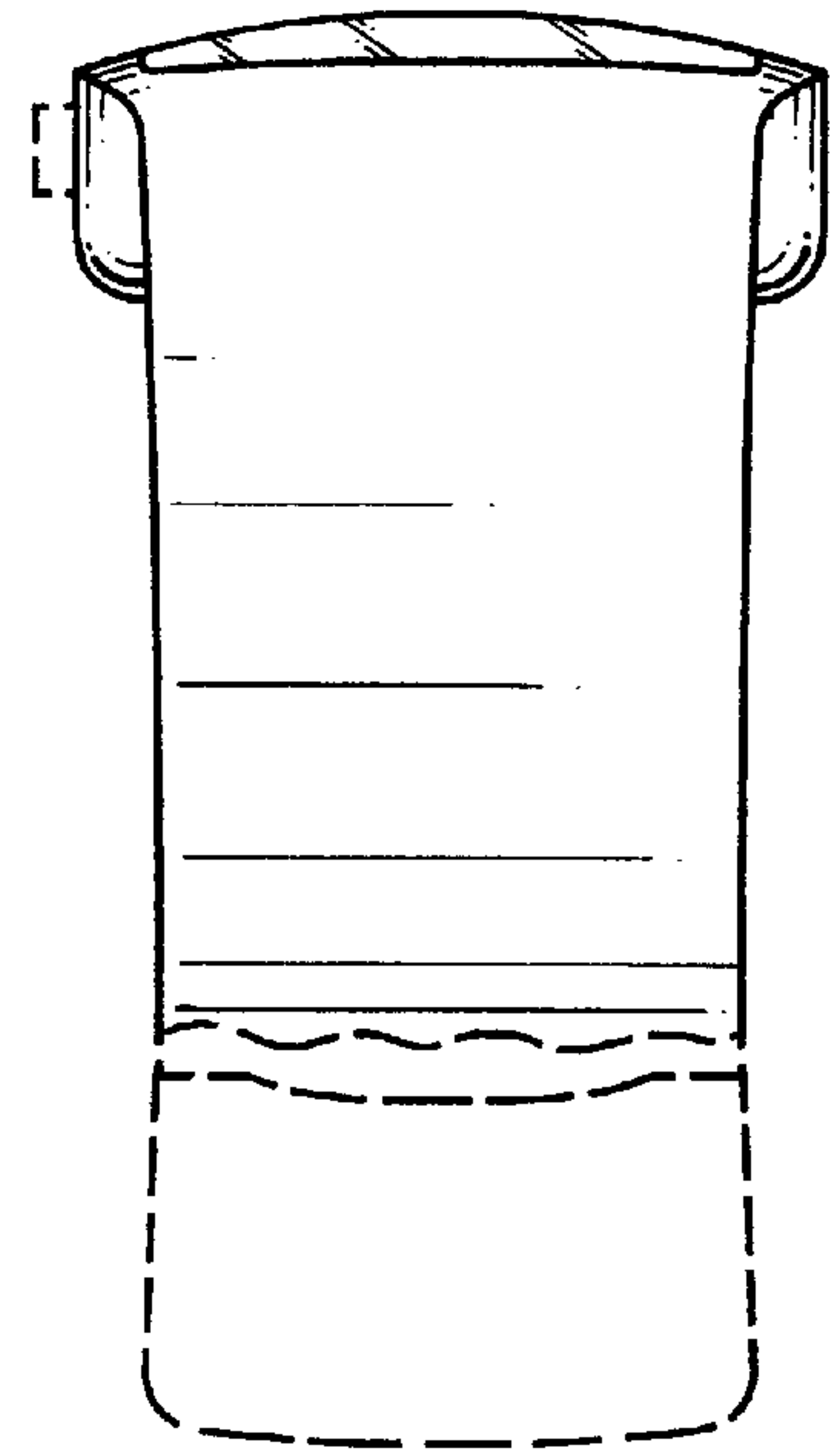
**FIG.1**



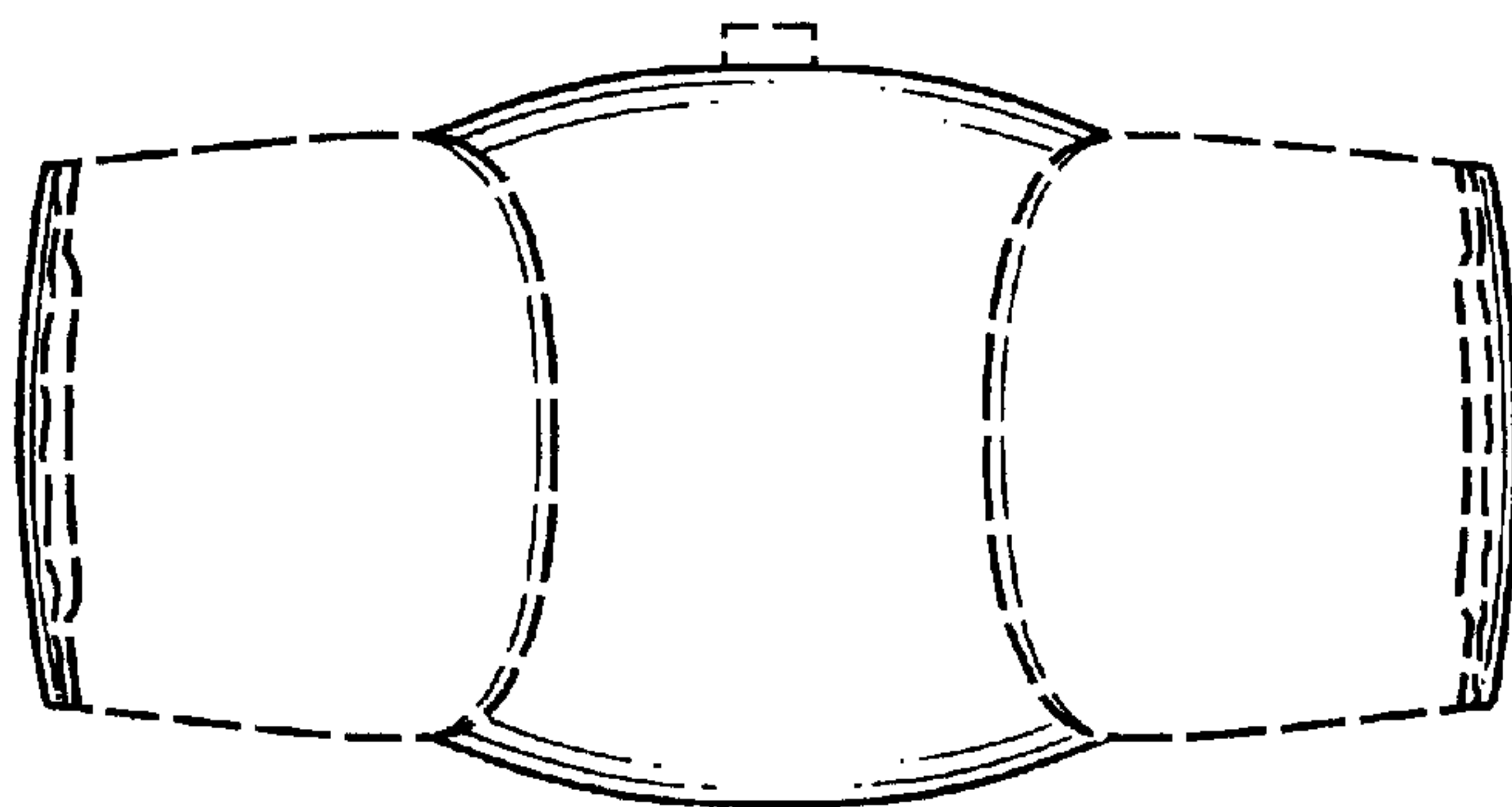
**FIG.2**



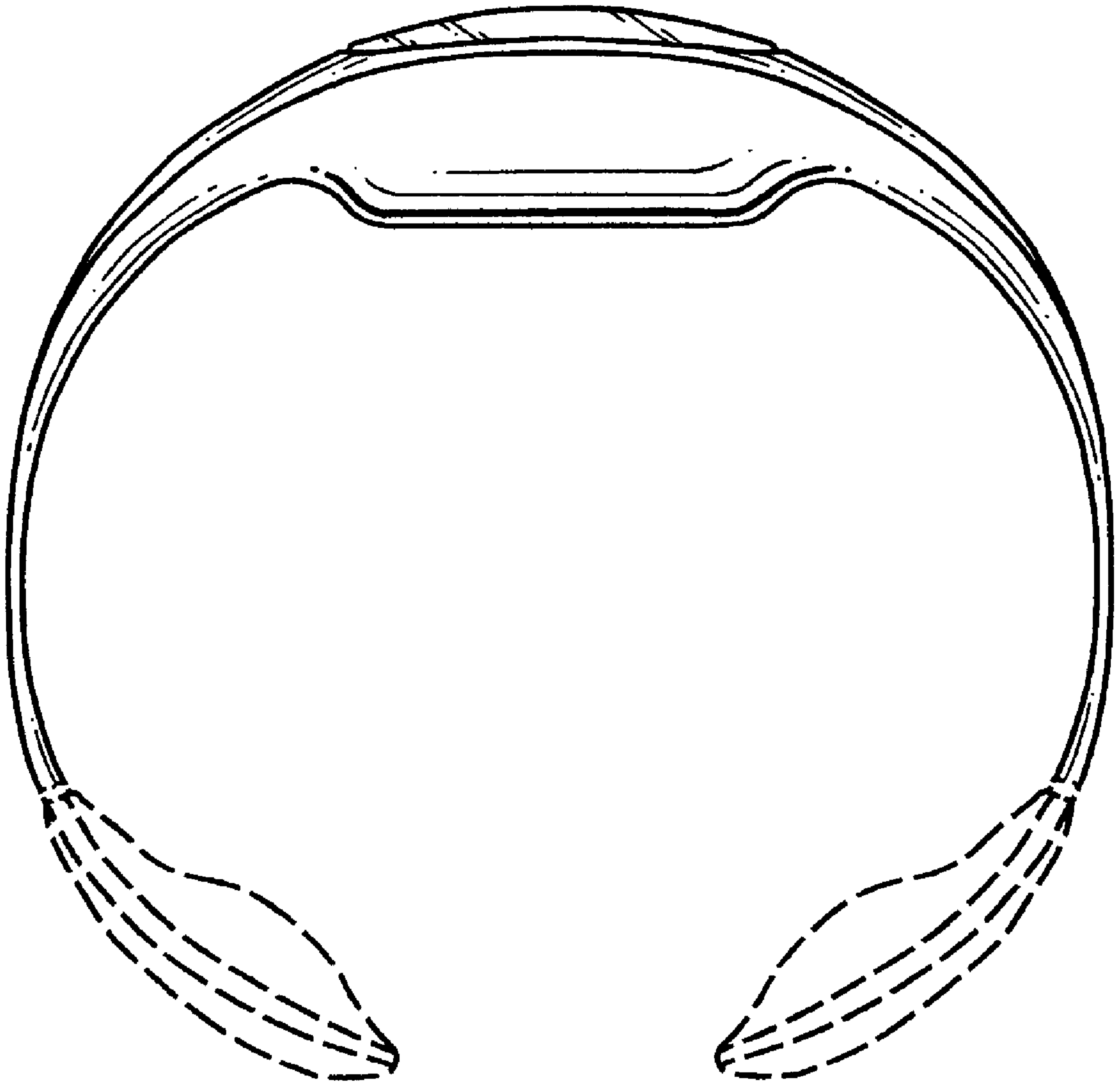
**FIG.3**



**FIG.4**



**FIG.5**



**FIG.6**