



US00D474978S

(12) **United States Design Patent**
Varlet

(10) **Patent No.:** **US D474,978 S**

(45) **Date of Patent:** **** May 27, 2003**

(54) **POT**

(75) **Inventor:** **Hubert Varlet, Paris (FR)**

(73) **Assignee:** **Verreries Pochet et du Courval, Paris (FR)**

(**) **Term:** **14 Years**

(21) **Appl. No.:** **29/139,934**

(22) **Filed:** **Apr. 10, 2001**

(30) **Foreign Application Priority Data**

Oct. 13, 2000 (FR) 00 5990

(51) **LOC (7) Cl.** **09-01**

(52) **U.S. Cl.** **D9/549**

(58) **Field of Search** D9/500, 503, 516,
D9/529, 549, 574, 431, 499; 206/527; 215/200,
316, 329, 400; 220/200, 260, 288, 289,
890

(56) **References Cited**

U.S. PATENT DOCUMENTS

D4,915 S * 5/1871 Atterbury et al.
D23,871 S * 12/1894 Cornwall

D224,516 S * 8/1972 Amberg D9/1
D394,012 S * 5/1998 Bakic D9/545
D435,449 S * 12/2000 Moretti D9/500
D446,728 S * 8/2001 Bakic D9/558

* cited by examiner

Primary Examiner—Ted Shooman

Assistant Examiner—Daniel Bui

(74) *Attorney, Agent, or Firm*—Wenderoth, Lind & Ponack,
L.L.P.

(57) **CLAIM**

The ornamental design for a pot, as shown.

DESCRIPTION

FIG. 1 is a partial side view illustrating an upper portion of a pot according to the present invention.

FIG. 2 is a bottom view of the pot shown in FIG. 1.

FIG. 3 is a front elevational view of the pot shown in FIG. 1; and,

FIG. 4 is a side elevational view of the pot shown in FIG. 1.

The broken line showing of the environment in FIG. 2 is for illustrative purposes only and forms no part of the claimed design.

1 Claim, 2 Drawing Sheets

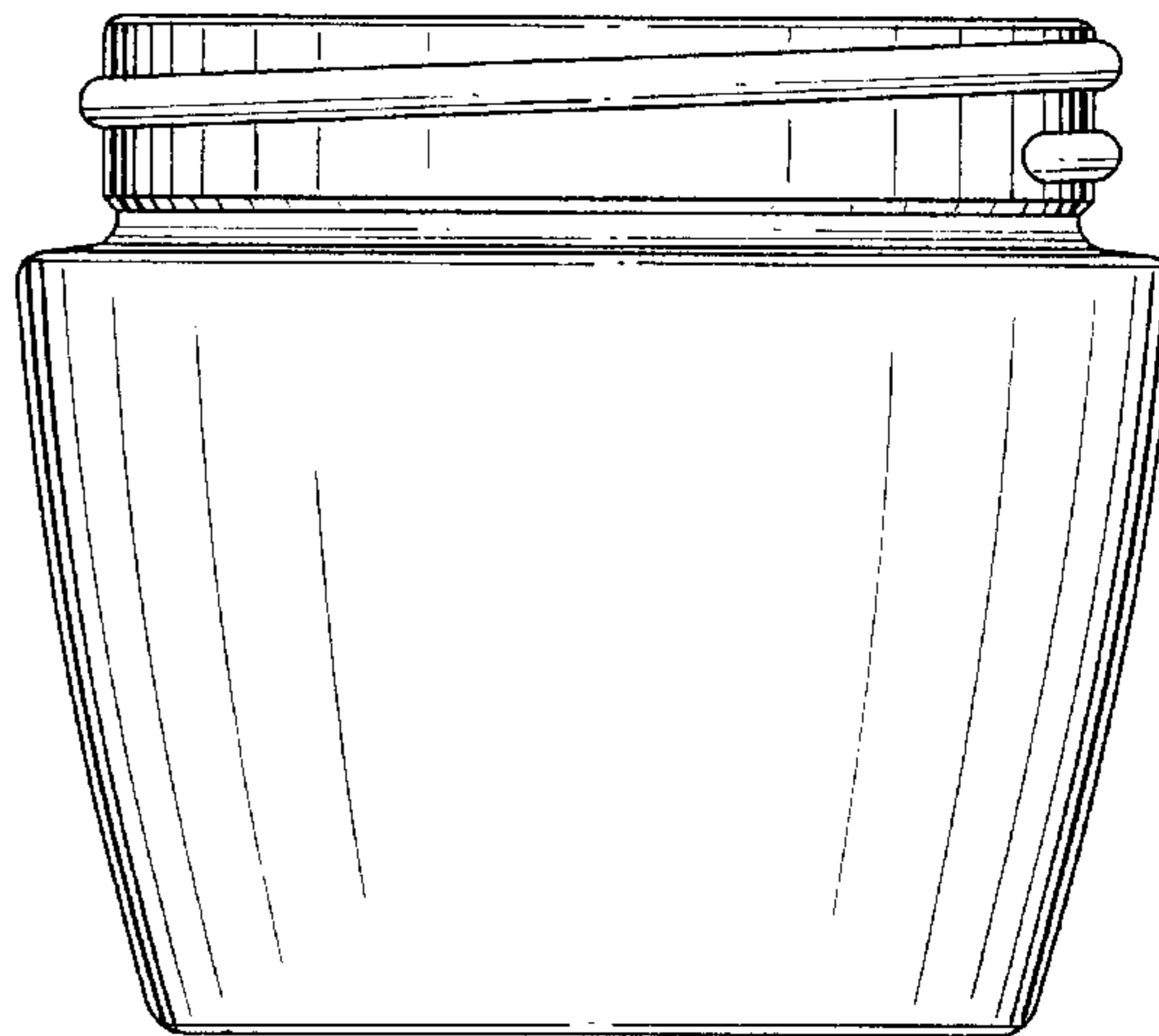
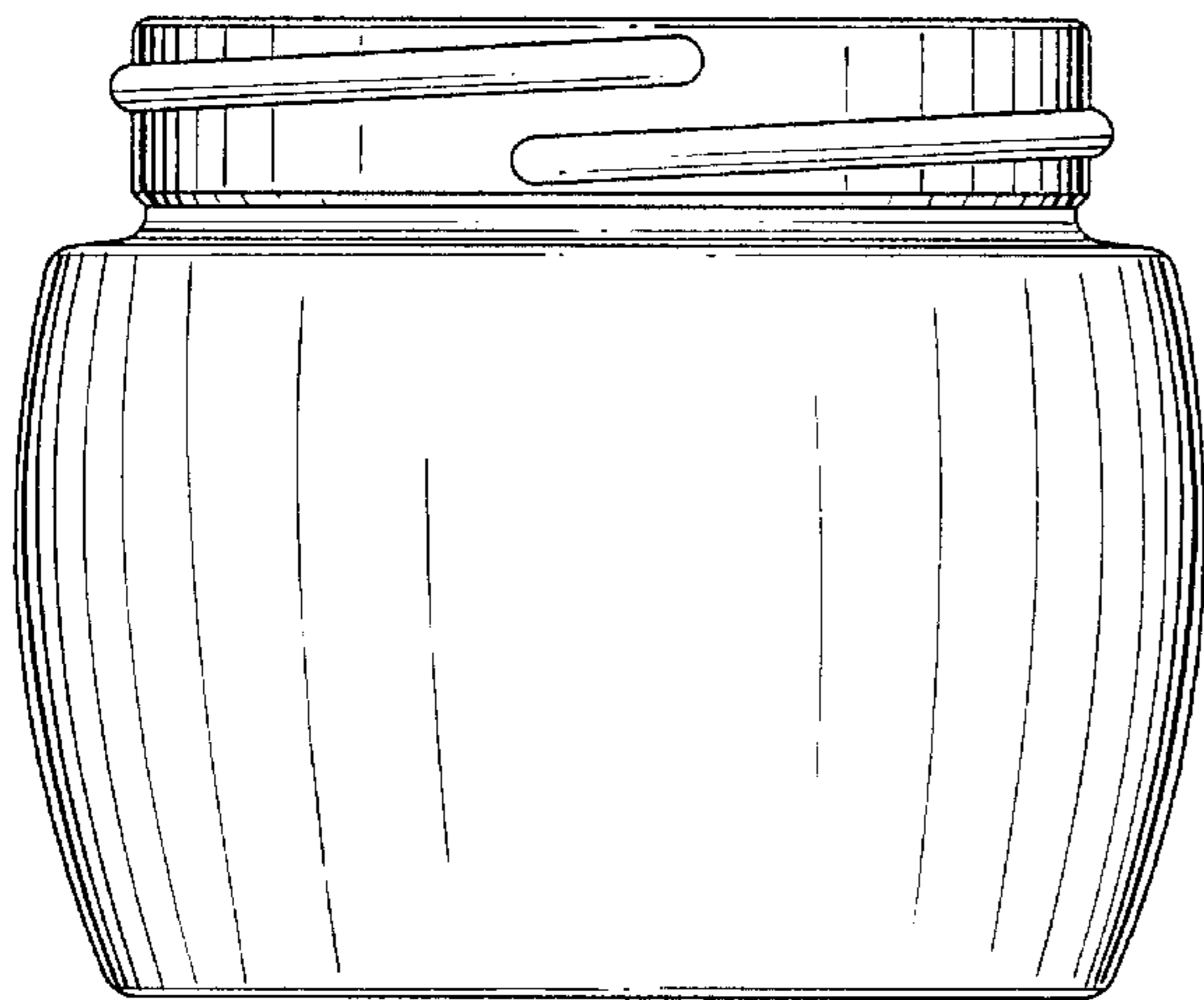


FIG. 1

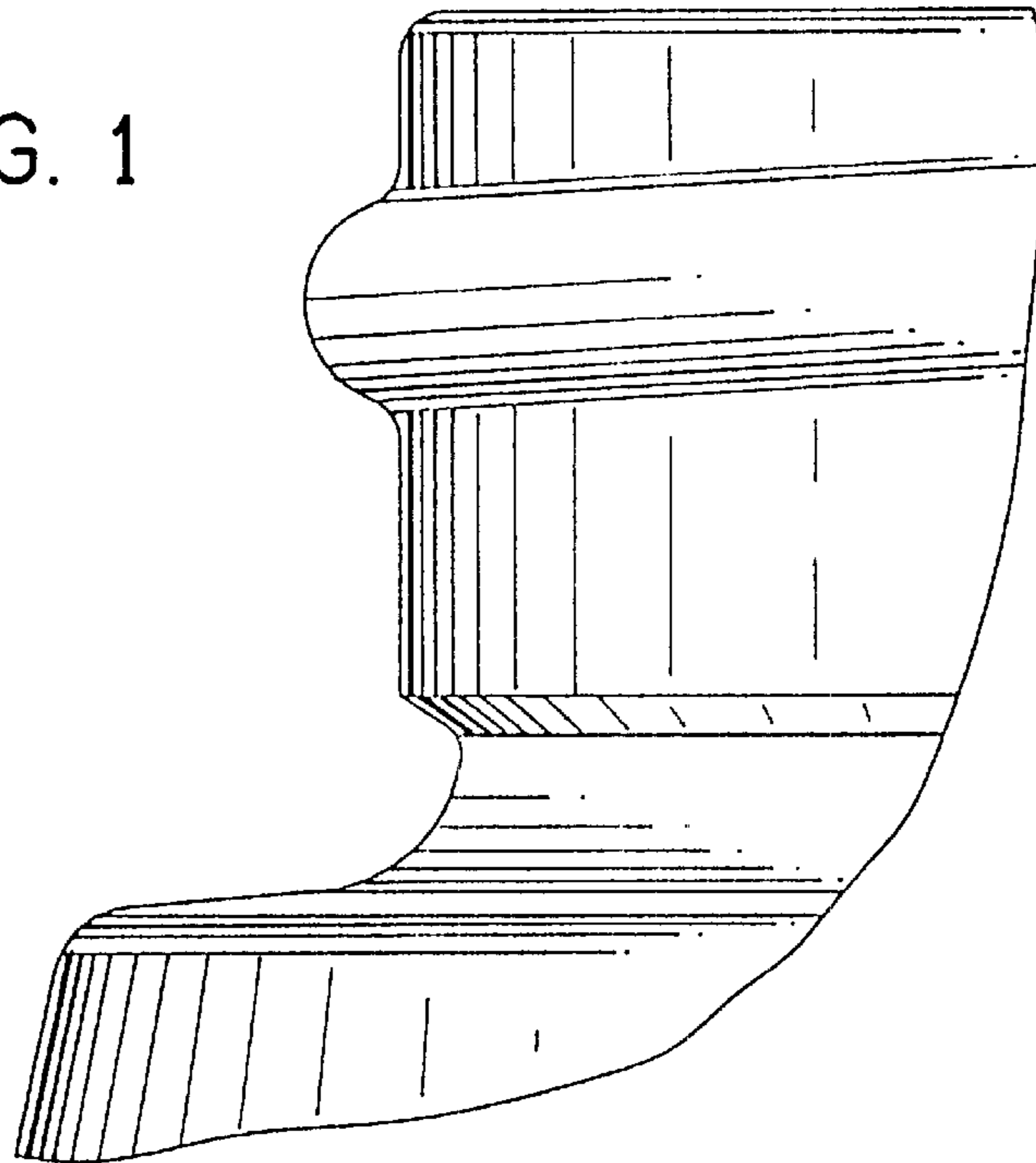


FIG. 2

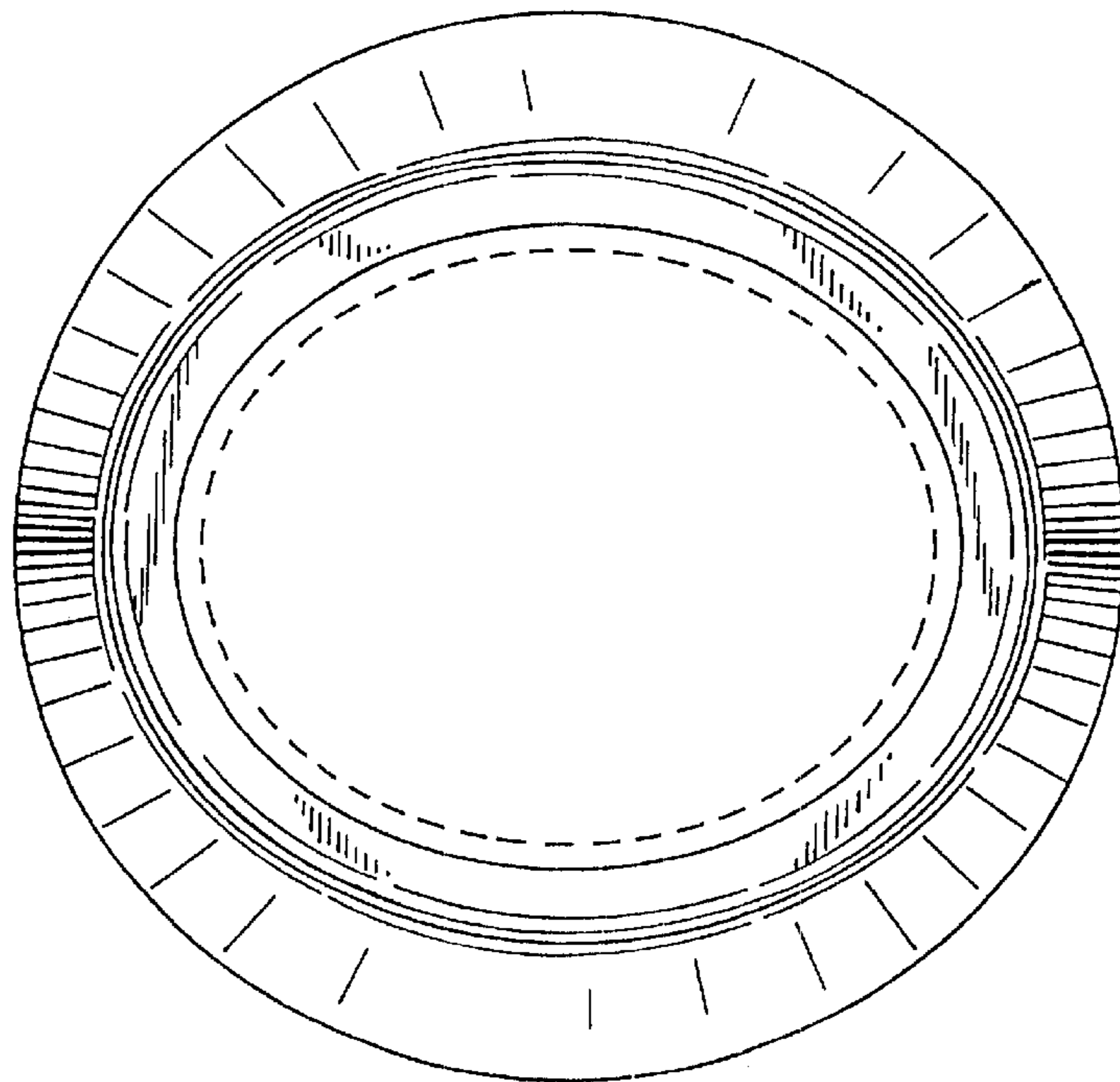


FIG. 3

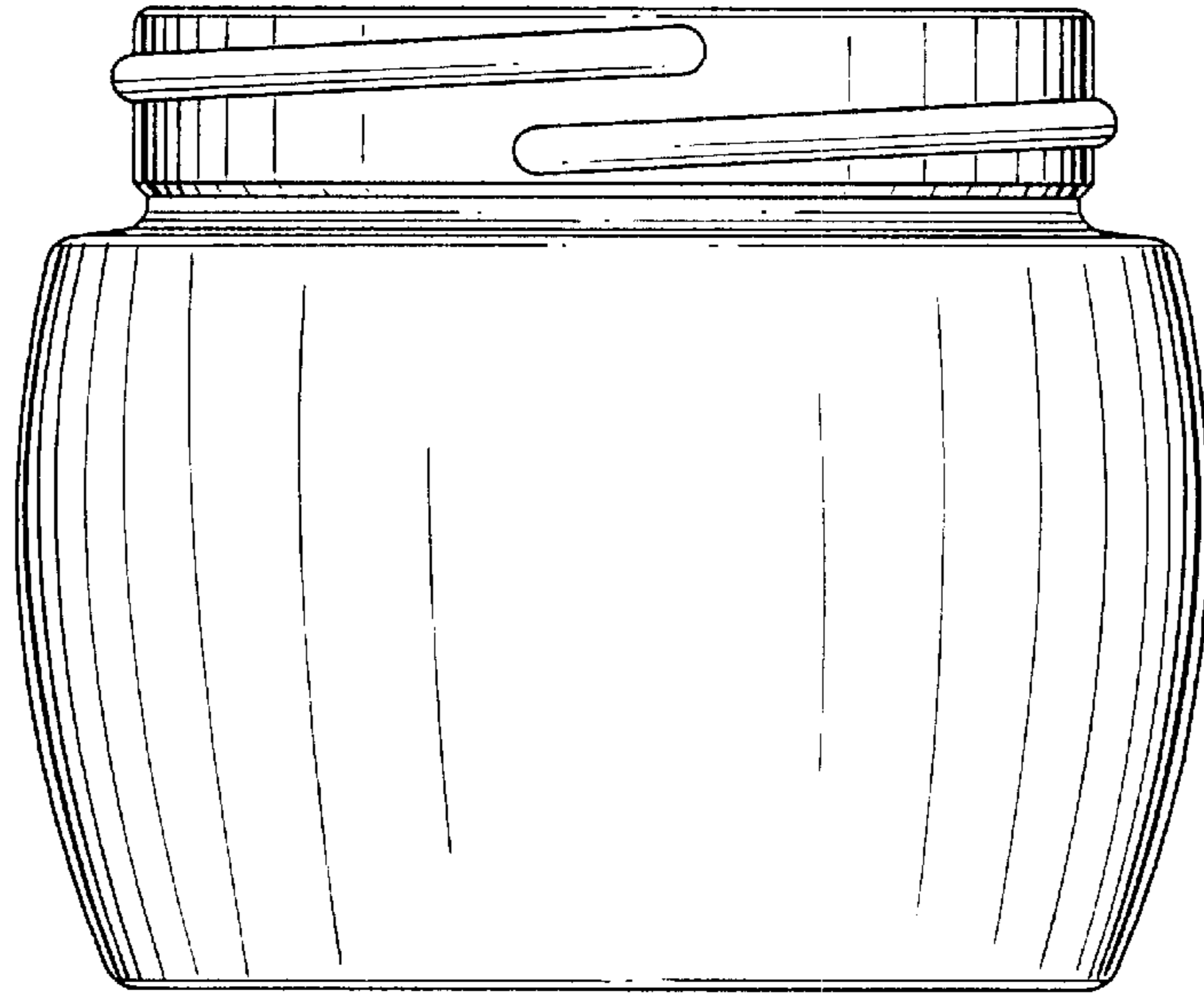


FIG. 4

