



US00D474977S

(12) **United States Design Patent**
Yourist et al.

(10) **Patent No.: US D474,977 S**

(45) **Date of Patent: ** May 27, 2003**

(54) **PLASTIC CONTAINER WITH A SWIRLED DOME**

(75) **Inventors: Sheldon Yourist, York, PA (US); Nicole Korpanty, York, PA (US); Ed Roubal, Stewartstown, PA (US)**

(73) **Assignee: Graham Packaging Company, L.P., York, PA (US)**

(**) **Term: 14 Years**

(21) **Appl. No.: 29/156,183**

(22) **Filed: Feb. 26, 2002**

(51) **LOC (7) Cl. 09-01**

(52) **U.S. Cl. D9/538; D9/552; D9/557; D9/559**

(58) **Field of Search D9/523, 527-531, D9/537-543, 560, 563, 570-571, 574-575; 215/382-384, 396, 398, 400; 222/206, 212, 215**

(56) **References Cited**

U.S. PATENT DOCUMENTS

4,043,475	A	*	8/1977	Wheeler	215/206	X
4,759,465	A	*	7/1988	Landis	220/270	X
D305,984	S	*	2/1990	Alberghini et al.	D9/500	
5,337,909	A	*	8/1994	Vaillencourt	215/381	
D358,547	S	*	5/1995	Darr	D9/520	
5,593,056	A	*	1/1997	Mero et al.	215/382	
D387,284	S	*	12/1997	Briggs et al.	D9/552	
D391,906	S	*	3/1998	Kousaie	D12/147	
5,785,197	A	*	7/1998	Slat	215/375	
D406,065	S	*	2/1999	Cheng	D9/552	

D415,681	S	*	10/1999	Yourist	D9/434	
D426,460	S	*	6/2000	Krishnakumar et al.	D9/307	
D429,156	S	*	8/2000	Williams et al.	D9/520	
D435,219	S	*	12/2000	Williams et al.	D9/538	
D438,758	S	*	3/2001	Tal et al.	D7/510	
6,213,326	B1	*	4/2001	Denner et al.	215/383	
D450,581	S	*	11/2001	Lichtman et al.	D9/434	
D462,013	S	*	8/2002	Iizuka et al.	D9/538	

* cited by examiner

Primary Examiner—Mitchell Siegel

Assistant Examiner—Carol Rademaker

(74) *Attorney, Agent, or Firm*—Venable; James R. Burdett; Keith G. Haddaway

(57) **CLAIM**

The ornamental design for a plastic container with a swirled dome, as shown and described.

DESCRIPTION

FIG. 1 is a first elevated side view of a plastic container with a swirled dome, tilted to one side, according to the present invention;

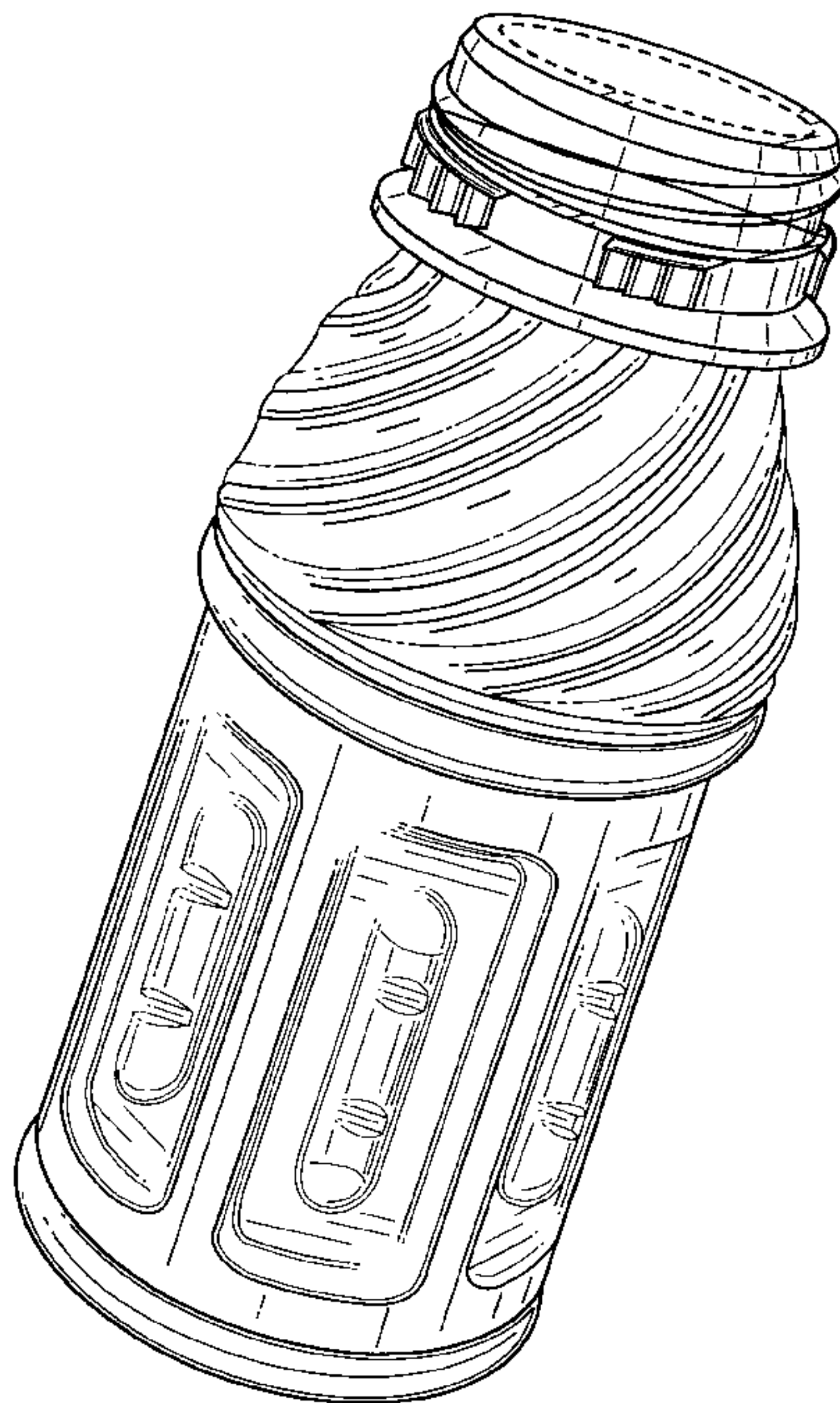
FIG. 2 is a second side view of the plastic container with a swirled dome;

FIG. 3 is a third side view of the plastic container with a swirled dome, rotated clockwise about a vertical axis thereof approximately 30 degrees from the second side view shown in FIG. 2;

FIG. 4 is a top view of the plastic container with a swirled dome; and,

FIG. 5 is a bottom view of the plastic container with a swirled dome.

1 Claim, 3 Drawing Sheets



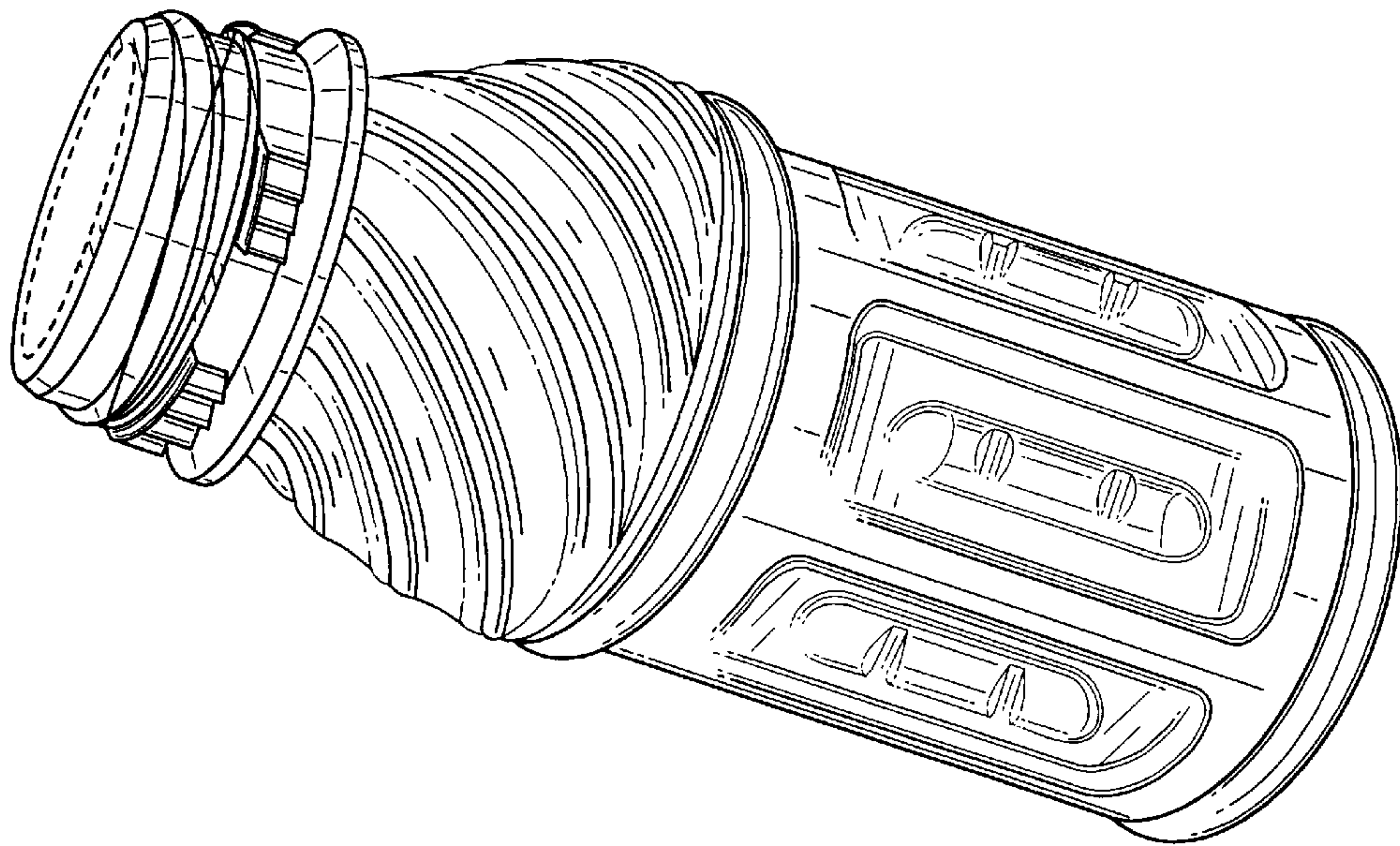


FIG. 1

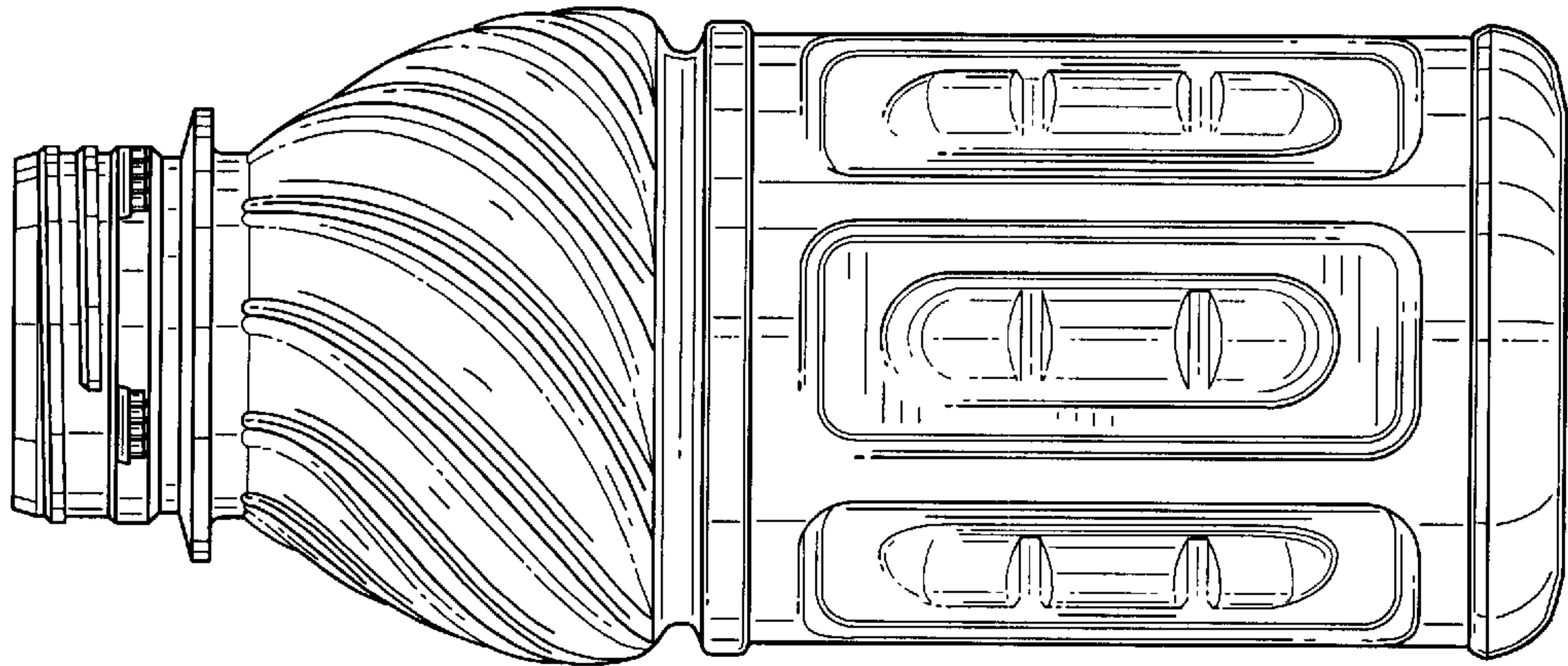


FIG. 3

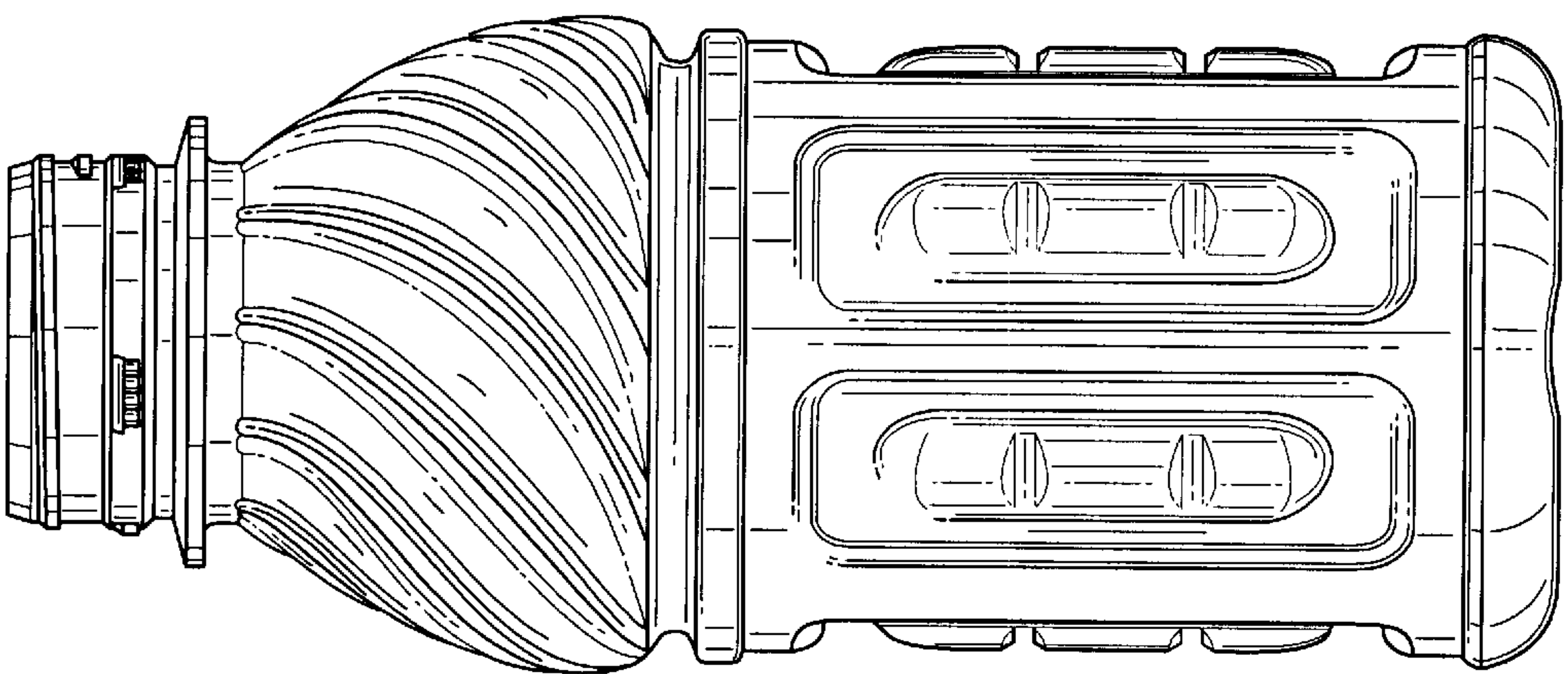


FIG. 2

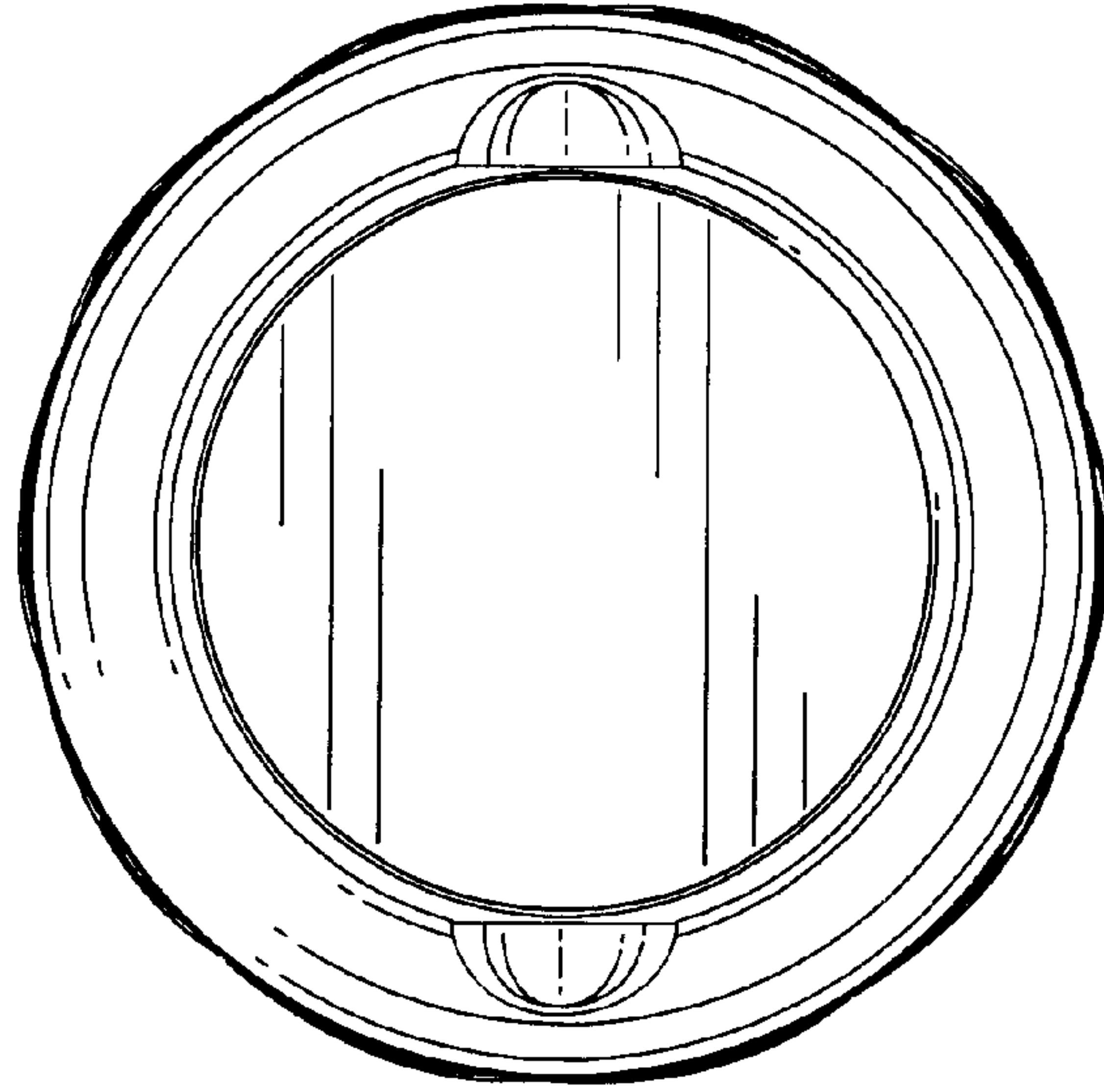


FIG. 5

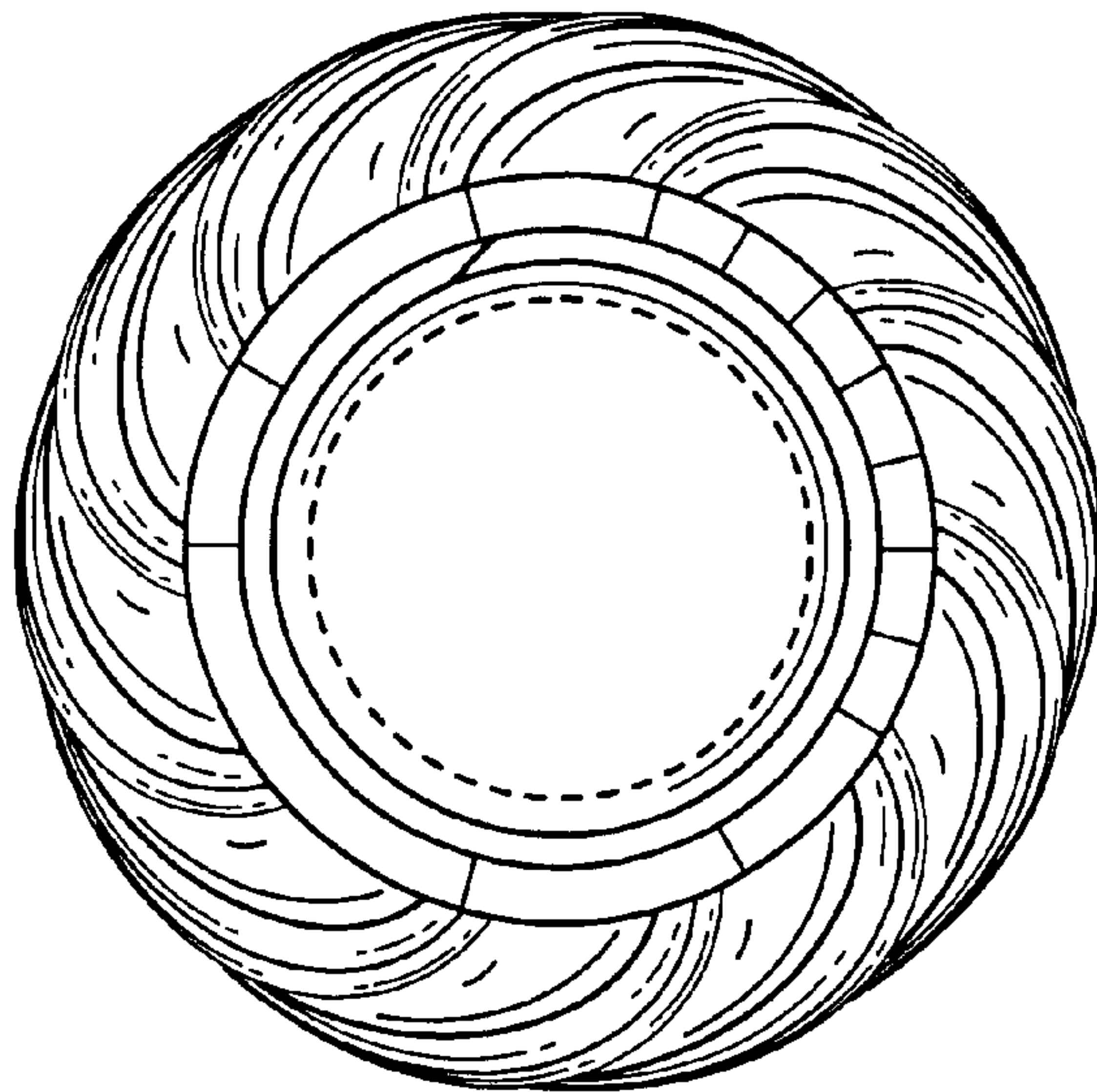


FIG. 4