



US00D474968S

(12) **United States Design Patent**
Hicks et al.

(10) **Patent No.:** **US D474,968 S**

(45) **Date of Patent:** **** May 27, 2003**

(54) **ELONGATE C-SHAPED CLOSURE DEVICE FOR PAPER/PLASTIC BAGS**

5,028,022 A 7/1991 Metcalf
D331,364 S * 12/1992 Barker et al. D9/434
D467,802 S * 12/2002 Amundson D9/443

(76) Inventors: **John Hicks**, 82 Meadow La., Lapeer, MI (US) 48446; **Kathy L. Hicks**, 82 Meadow La., Lapeer, MI (US) 48446

* cited by examiner

(**) Term: **14 Years**

Primary Examiner—Louis S. Zarfaz
Assistant Examiner—Gregory Andoll
(74) *Attorney, Agent, or Firm*—Donald R. Schoonover

(21) Appl. No.: **29/170,820**

(57) **CLAIM**

(22) Filed: **Nov. 13, 2002**

We claim the ornamental design for an elongate C-shaped closure device for paper/plastic bags, as shown and described.

(51) **LOC (7) Cl.** **09-07**

(52) **U.S. Cl.** **D9/443; D9/435**

(58) **Field of Search** D9/434, 435, 433, D9/499; 24/30.5 R–30.5 L

DESCRIPTION

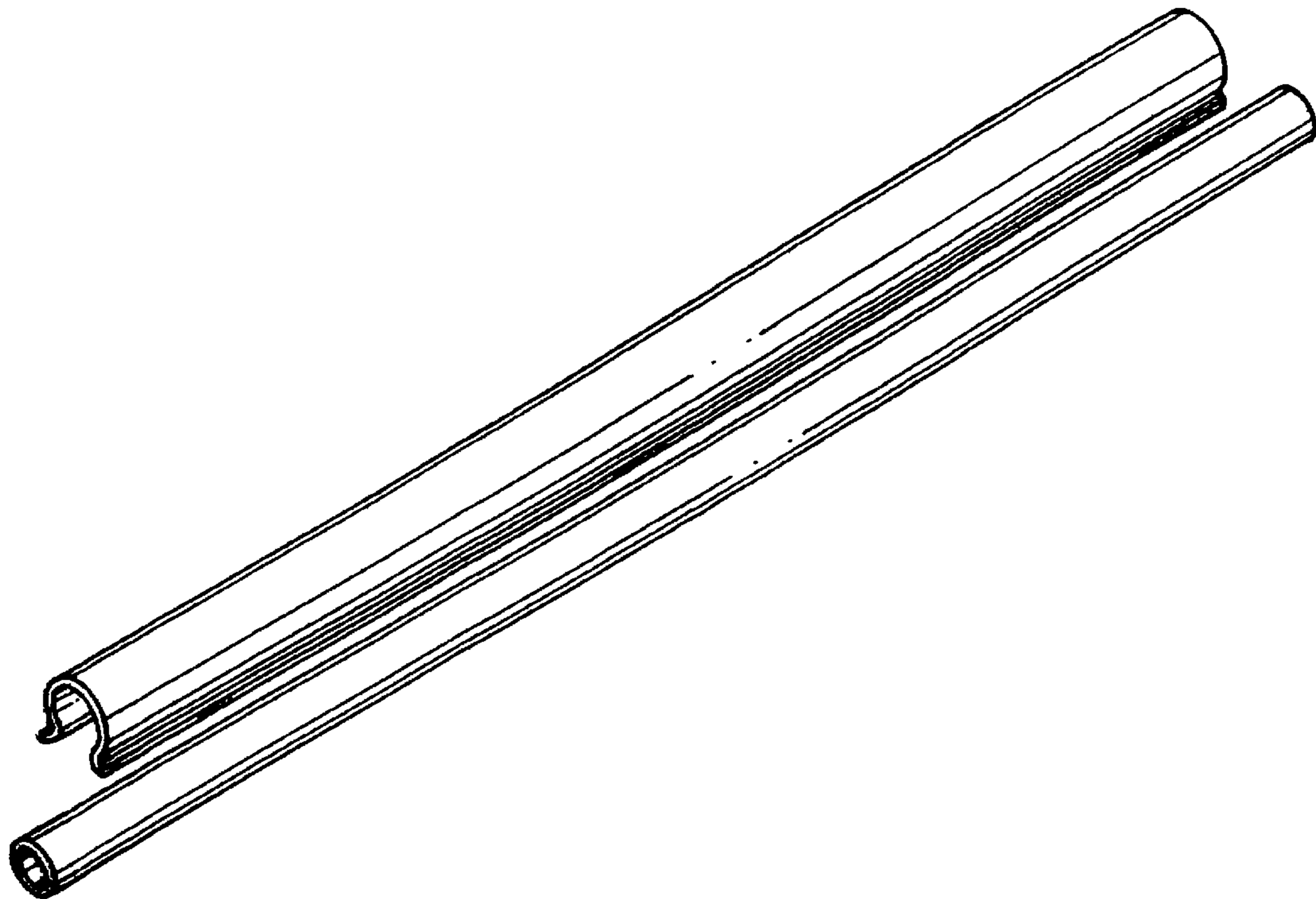
(56) **References Cited**

U.S. PATENT DOCUMENTS

1,459,582 A	6/1923	Dubee	
3,141,221 A	* 7/1964	Fauls, Jr.	24/30.5 R
3,481,007 A	* 12/1969	Scarritt, Jr.	24/30.5 L
3,629,905 A	12/1971	Cote	
3,707,271 A	12/1972	Sanchez et al.	
3,893,649 A	7/1975	Cornell et al.	
4,461,030 A	7/1984	Knudsen	
4,578,813 A	3/1986	Ausnit	
4,854,530 A	8/1989	Baglio	
4,871,264 A	10/1989	Robbins, III et al.	

FIG. 1 is a perspective view of an elongate C-shaped closure device for paper/plastic bags showing our new design; FIG. 2 is a right side elevational view thereof, the left side elevational view being identical thereto; FIG. 3 is a front elevational view thereof, the rear elevational view being identical thereof; FIG. 4 is a top plan view thereof; FIG. 5 is a bottom plan view thereof; and, FIG. 6 is a perspective view showing the elongate C-shaped closure device for paper/plastic bags in use; the broken lines depict environmental structure and form no part of the claimed design.

1 Claim, 2 Drawing Sheets



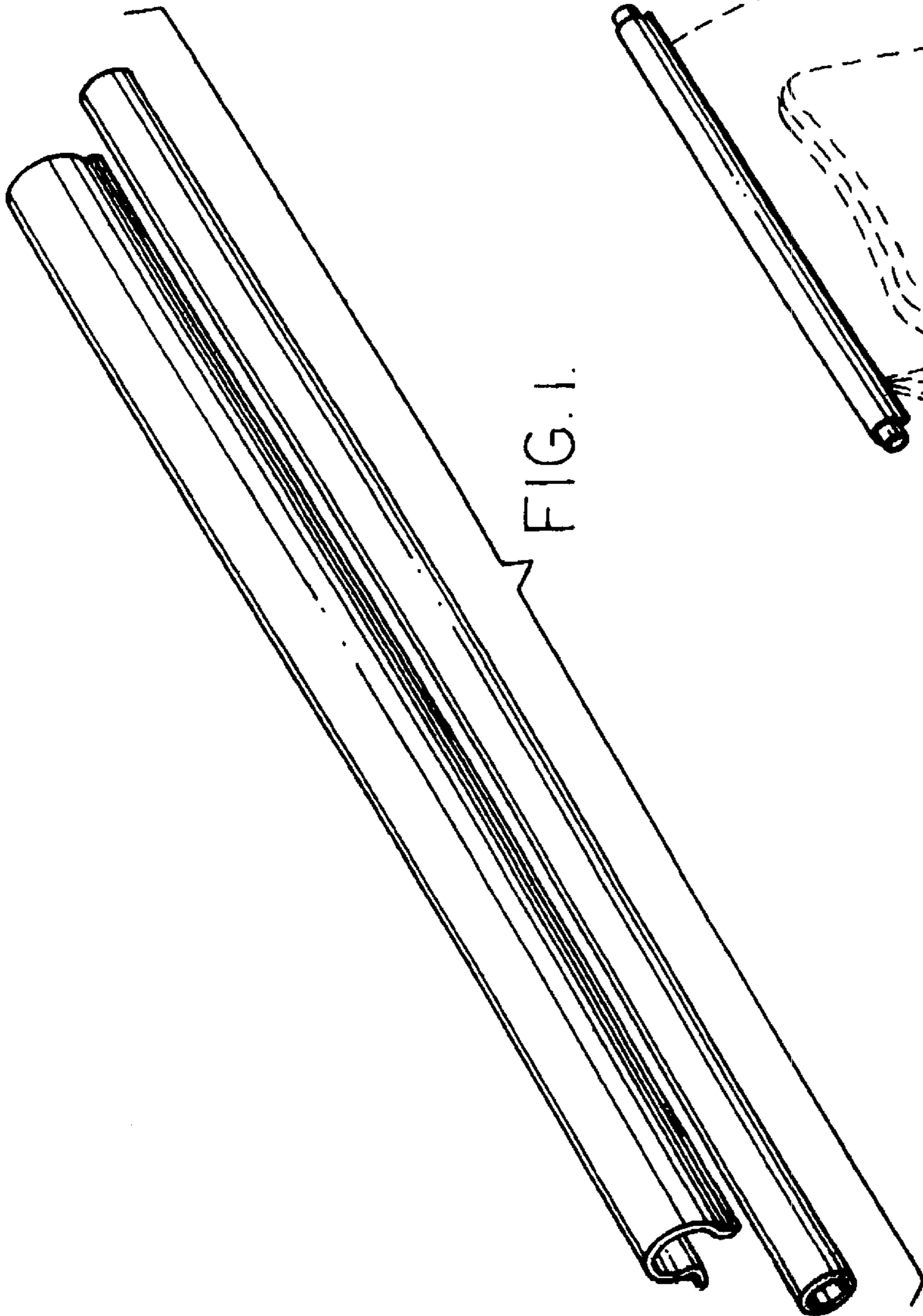


FIG. 1.

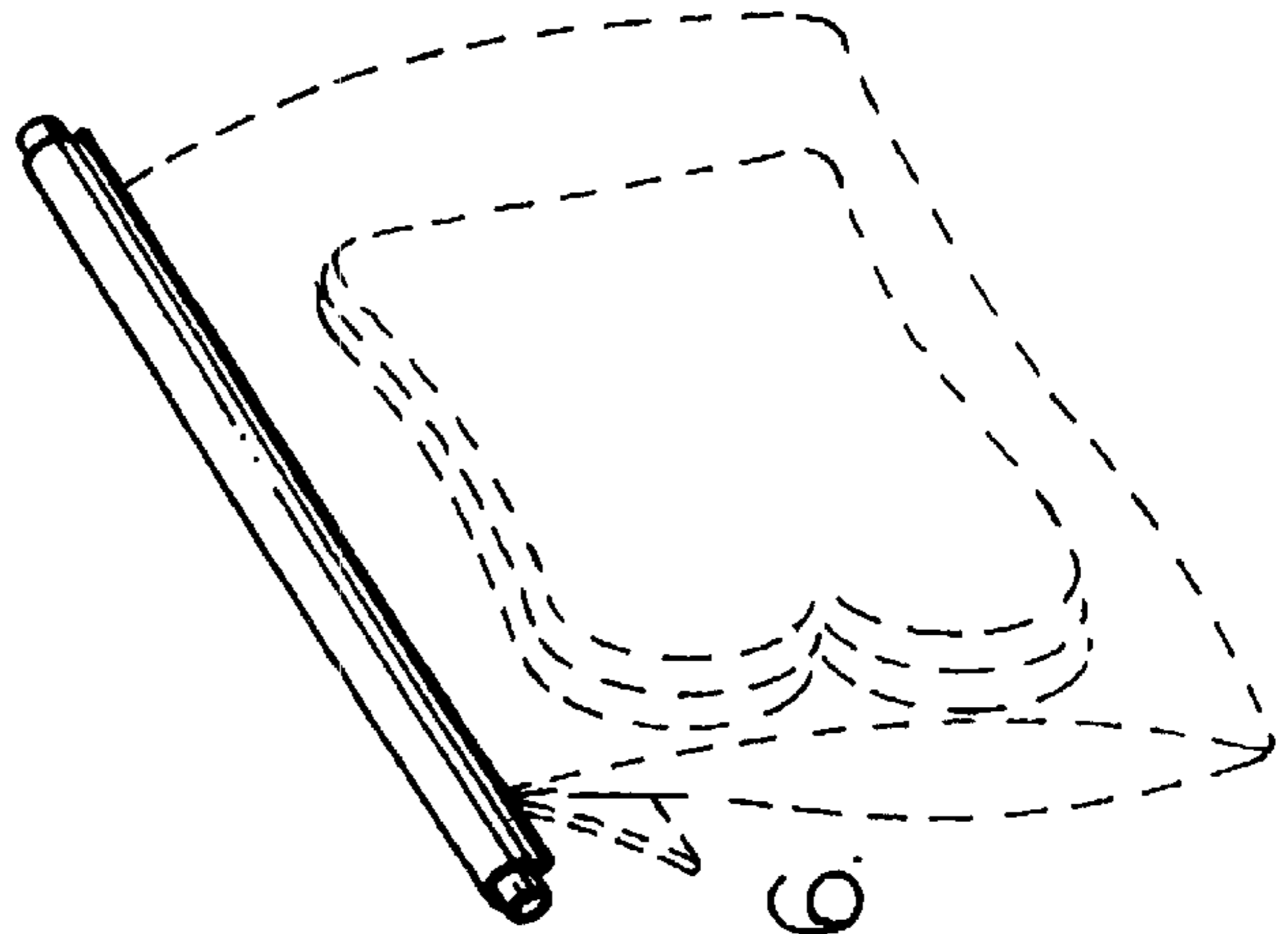


FIG. 6.

Q FIG. 2

FIG. 3.

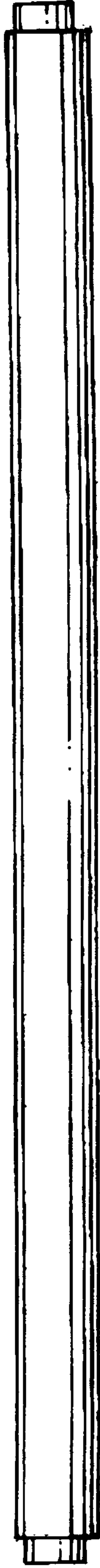


FIG. 4.



FIG. 5.

