



US00D474966S

(12) **United States Design Patent**  
**Schrem et al.**

(10) **Patent No.:** **US D474,966 S**

(45) **Date of Patent:** **\*\* May 27, 2003**

(54) **FOLDER AND RIDER THEREOF**

2,765,579 A \* 10/1956 Gordon ..... 43/127  
2,878,985 A \* 3/1959 Rossum ..... 229/40

(75) Inventors: **Kurt Schrem**, Pfullendorf (DE); **Heike Schnabel**, Mutlangen (DE); **Markus Schneider**, Mutlangen (DE)

**FOREIGN PATENT DOCUMENTS**

(73) Assignee: **dataplus GmbH Kratzert & Schrem**, Pfullendorf (DE)

CH	401001	4/1966
CH	551879	6/1974
DE	3803037.7	4/1988
DE	8803355.4	6/1988
DE	20008972	8/2000
DE	20008973	8/2000
DK	DM/046 480	12/1998
EP	0455063	2/1995
EP	0220874	5/1999
FR	2644396	9/1990

(\*\*) Term: **14 Years**

(21) Appl. No.: **29/160,326**

(22) Filed: **May 9, 2002**

(30) **Foreign Application Priority Data**

Nov. 9, 2001 (XH) ..... DM/057 917

(51) **LOC (7) Cl.** ..... **09-03**

(52) **U.S. Cl.** ..... **D9/433**

(58) **Field of Search** ..... D9/414, 430, 432, D9/433, 499; 206/476, 784, 527; 220/62, 890; 229/100, 103.2, 103.3, 124, 87.01, 87.18

\* cited by examiner

*Primary Examiner*—Mitchell Siegel

*Assistant Examiner*—Daniel Bui

(74) *Attorney, Agent, or Firm*—Crowell & Moring LLP

(57) **CLAIM**

The ornamental design for a folder and rider thereof, as shown and described.

**DESCRIPTION**

FIG. 1 is a top plan view of our new design in unfolded condition; and,

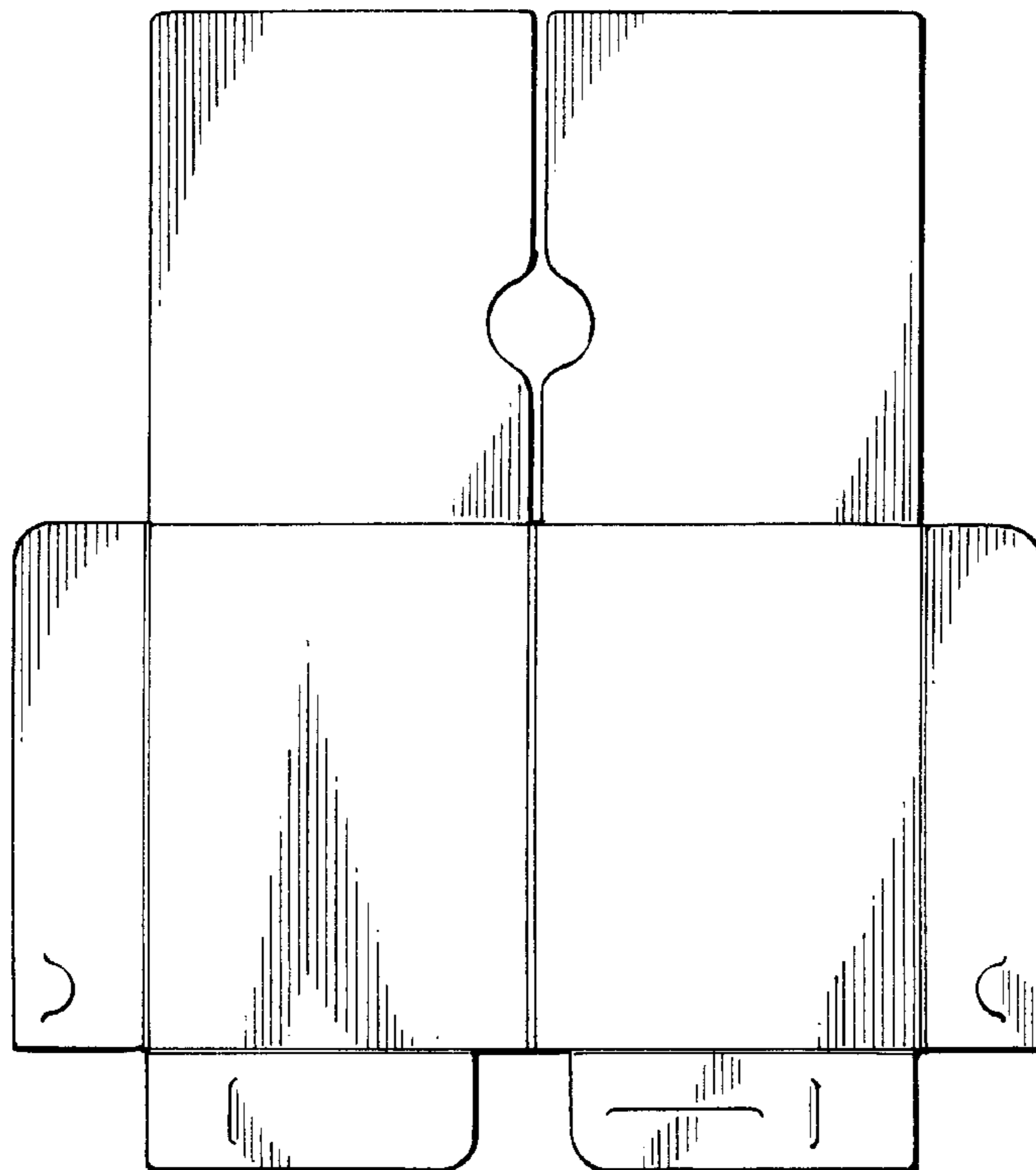
FIG. 2 is a top plan view of the folder in FIG. 1, whereas the respective three side parts are folded on the back and front parts.

(56) **References Cited**

**U.S. PATENT DOCUMENTS**

- 581,339 A \* 4/1897 Corkhill, Jr.
- 666,732 A \* 1/1901 Bertin
- D35,615 S \* 1/1902 Stecher
- 710,407 A \* 10/1902 Bauer
- 1,755,375 A \* 4/1930 Tanner

**1 Claim, 1 Drawing Sheet**



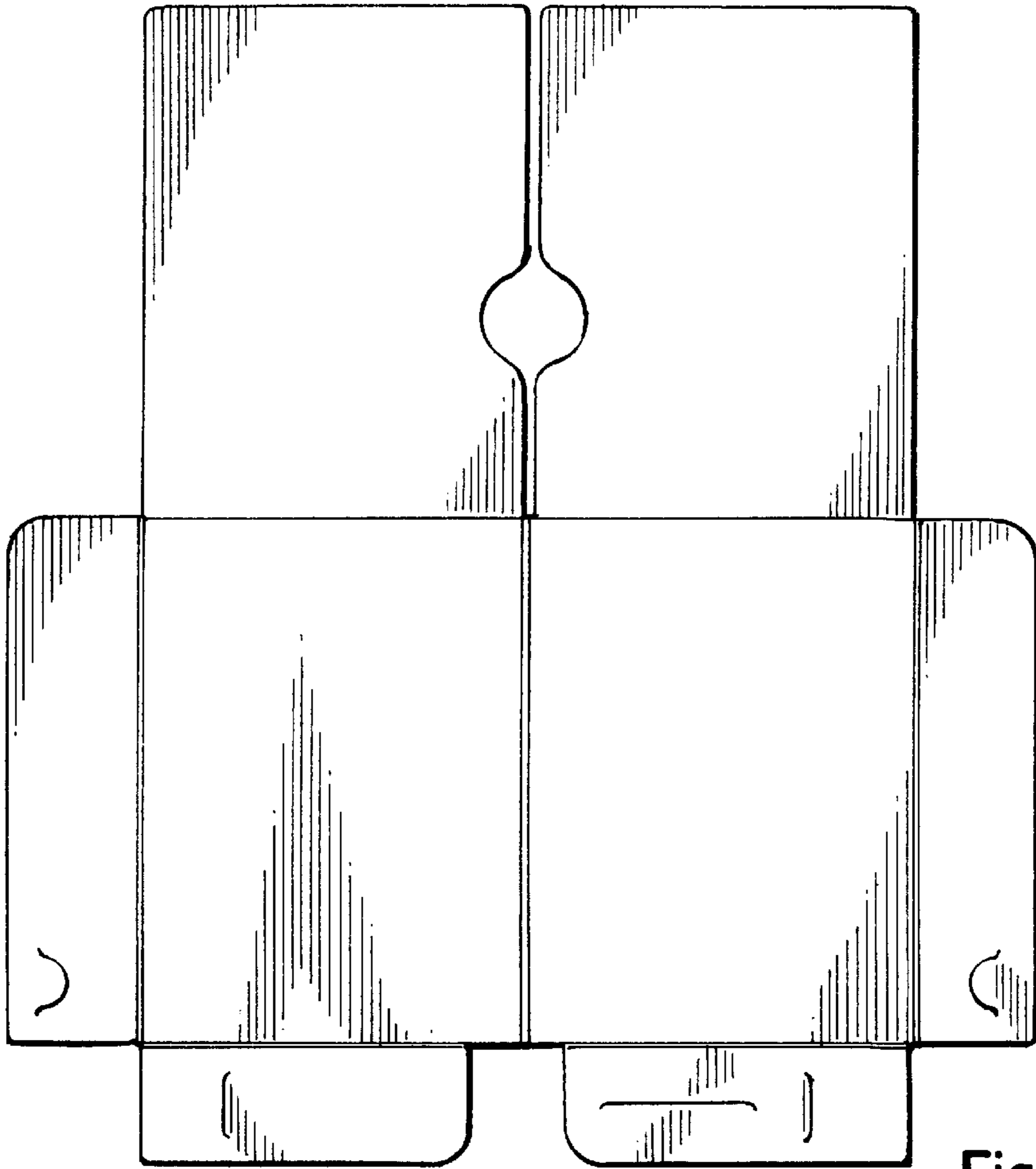


Fig. 1

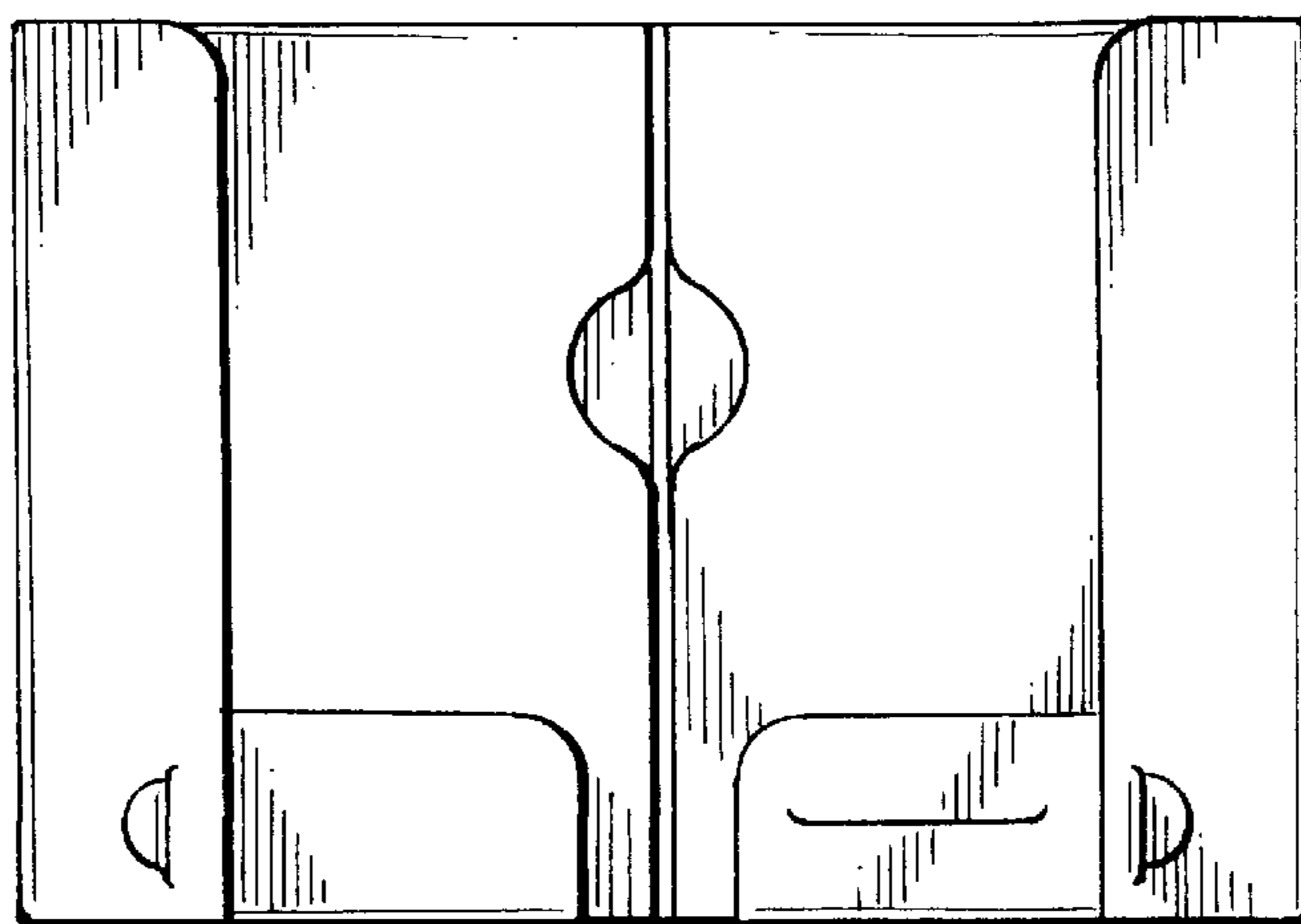


Fig. 2