



US00D474965S

(12) **United States Design Patent**
Westphal

(10) **Patent No.:** **US D474,965 S**

(45) **Date of Patent:** **** May 27, 2003**

(54) **CONTAINER**

(75) **Inventor:** **Scott K. Westphal**, 650 West Ave.,
Miami Beach, FL (US) 33139

(73) **Assignee:** **Scott K. Westphal**, Miami Beach, FL
(US)

(**) **Term:** **14 Years**

(21) **Appl. No.:** **29/148,738**

(22) **Filed:** **Sep. 27, 2001**

(51) **LOC (7) Cl.** **09-03**

(52) **U.S. Cl.** **D9/428; D9/424**

(58) **Field of Search** D9/428, 429, 424,
D9/480; 220/1.5, 17.1, 17.2, 17.3, 62.13,
62.14, 62.15, 62.16, 62.19, 605, 606; 206/511,
822, 541, 226, 303, 457; 229/116.1, 406,
407

(56) **References Cited**

U.S. PATENT DOCUMENTS

- 163,787 A * 5/1875 King 220/605
- 3,902,270 A * 9/1975 Molenaar 206/511
- 4,042,111 A * 8/1977 Smith 206/511

- 4,573,597 A * 3/1986 Adams et al. 220/605
- 5,100,002 A * 3/1992 Garran 206/457
- 5,507,220 A * 4/1996 Jung 99/403
- 5,704,483 A * 1/1998 Groh 206/511
- D403,957 S * 1/1999 Bright et al. D9/428
- D424,768 S * 5/2000 Tsou D9/428
- D426,383 S * 6/2000 Thrower D9/428

* cited by examiner

Primary Examiner—Prabhakar Deshmukh

(74) *Attorney, Agent, or Firm*—Pillsbury Winthrop LLP

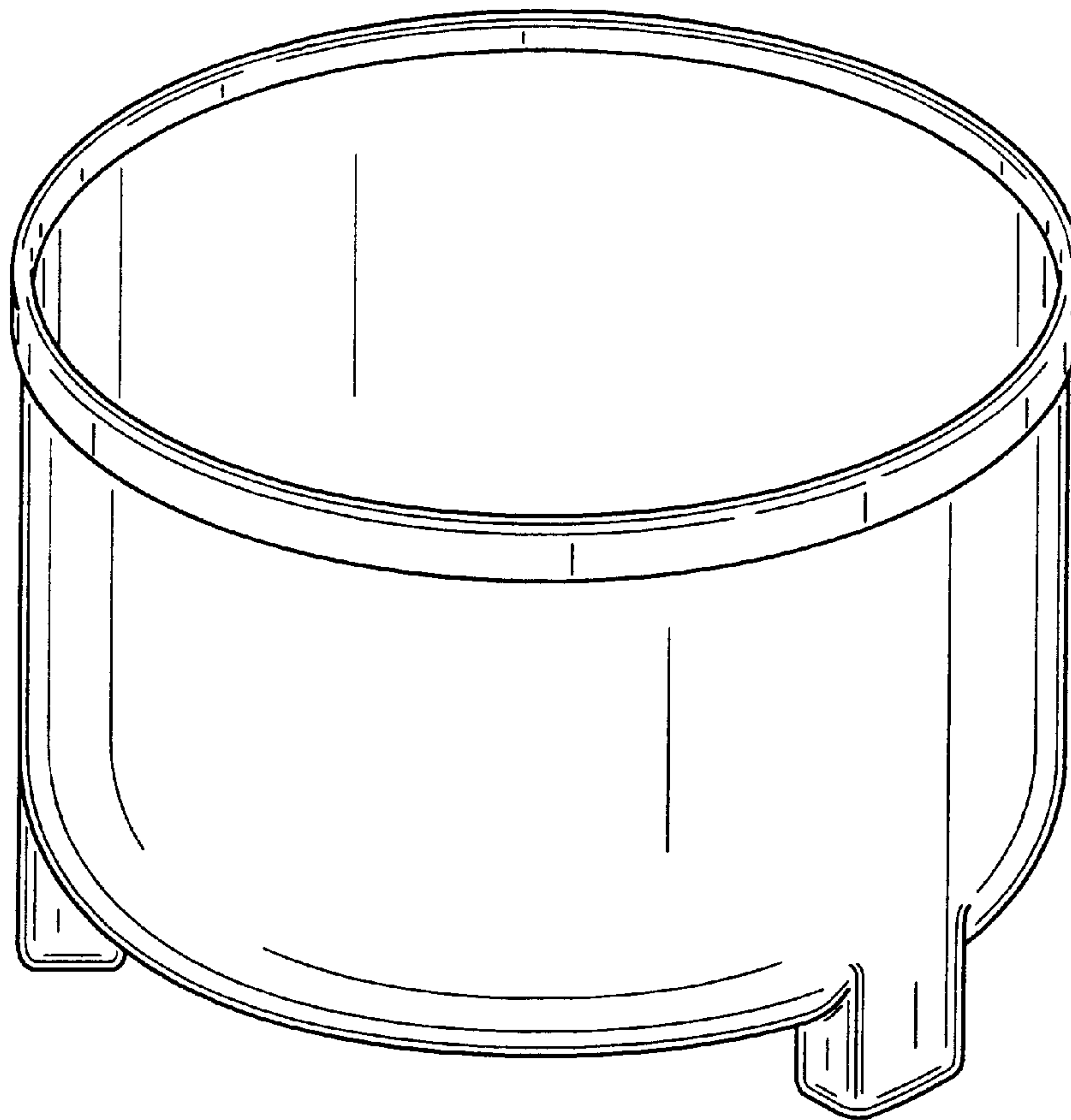
(57) **CLAIM**

The ornamental design of a container, as shown and described.

DESCRIPTION

FIG. 1 is a top perspective view of a container according to one preferred embodiment of the present invention;
 FIG. 2 is a front elevation view of the container shown in FIG. 1;
 FIG. 3 is a left side view of the container shown in FIG. 2;
 FIG. 4 is a right side view of the container shown in FIG. 2;
 FIG. 5 is a top view of the container shown in FIG. 2; and,
 FIG. 6 is a bottom view of the container shown in FIG. 2.

1 Claim, 3 Drawing Sheets



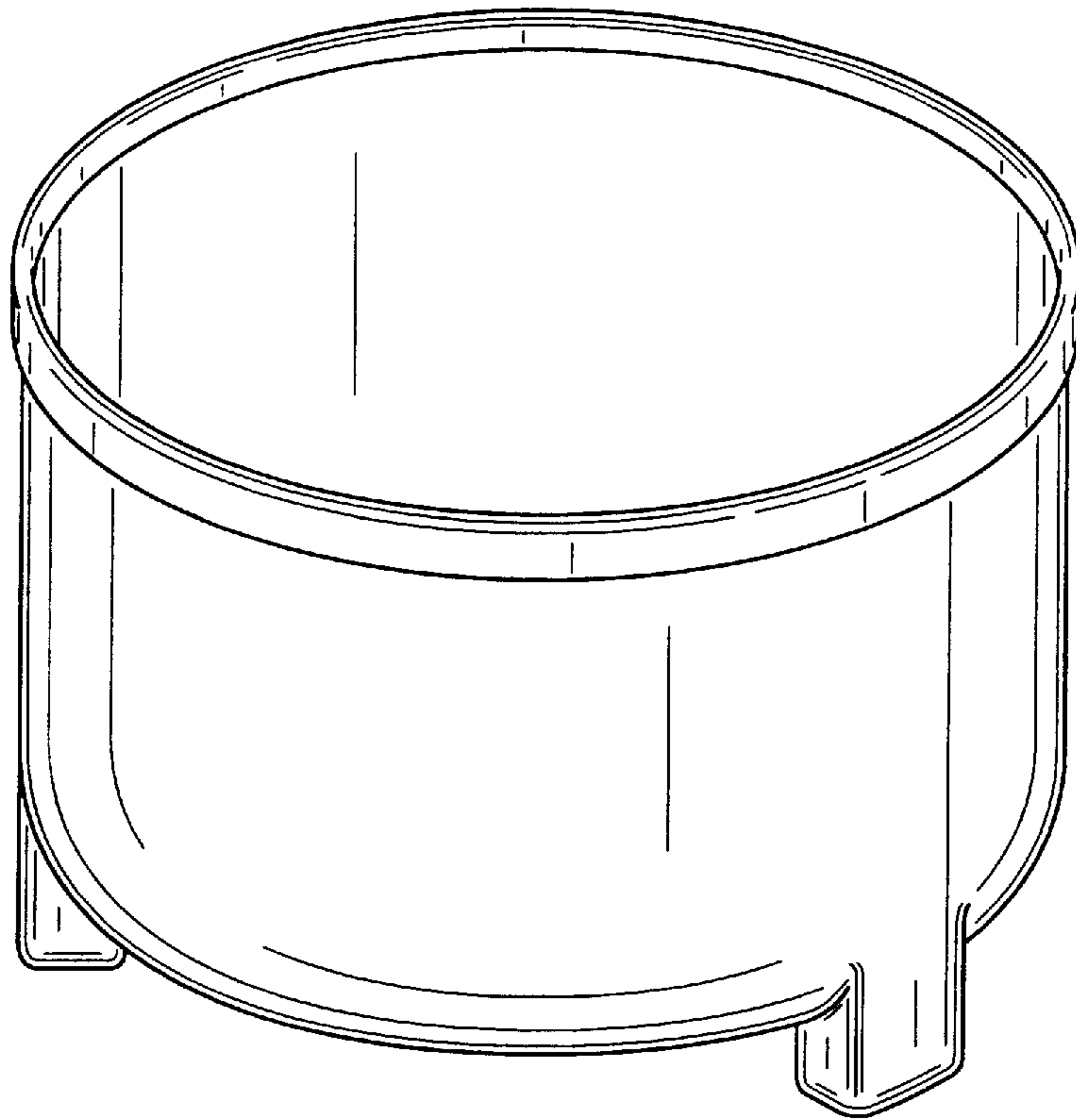


FIG. 1

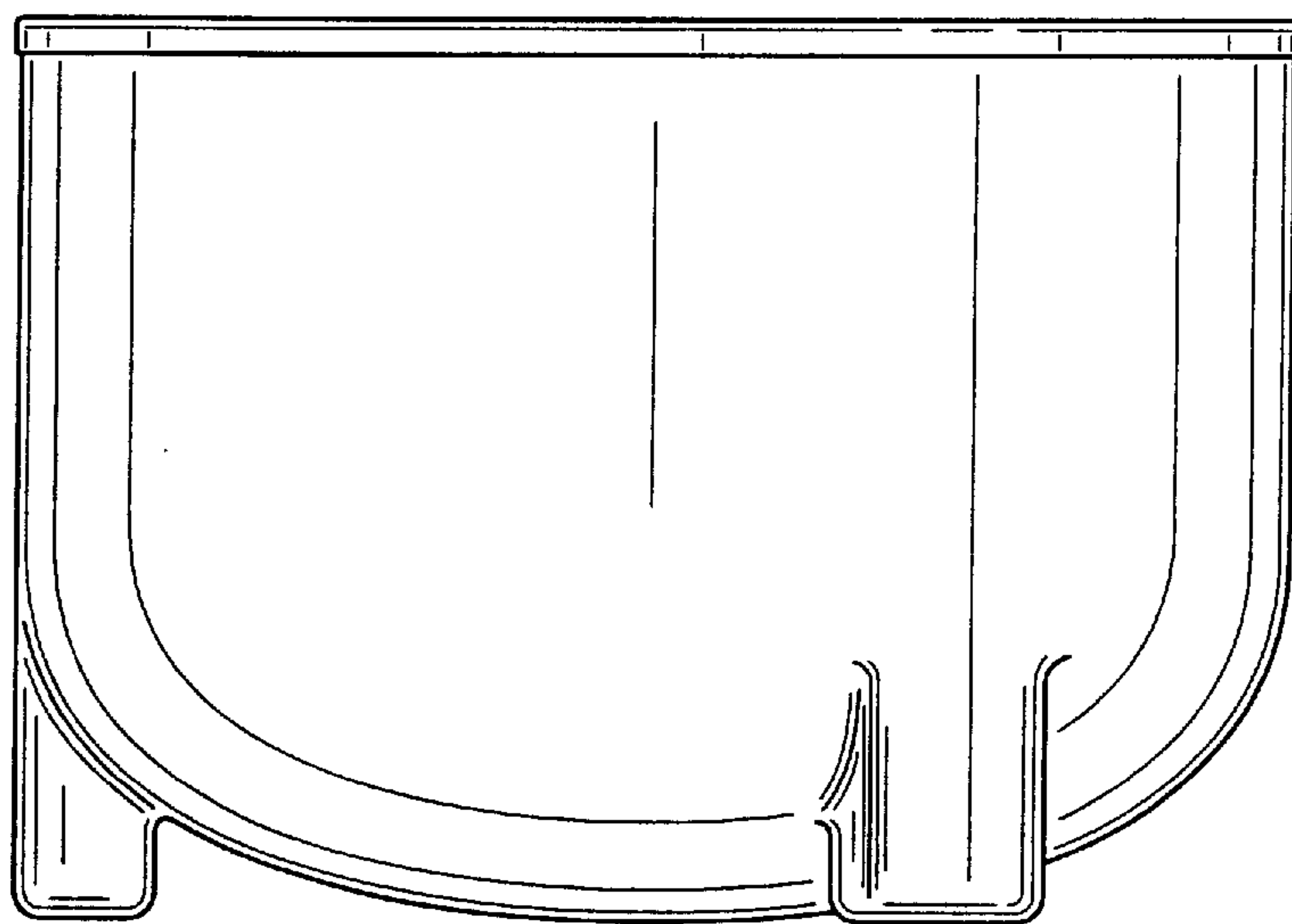


FIG. 2

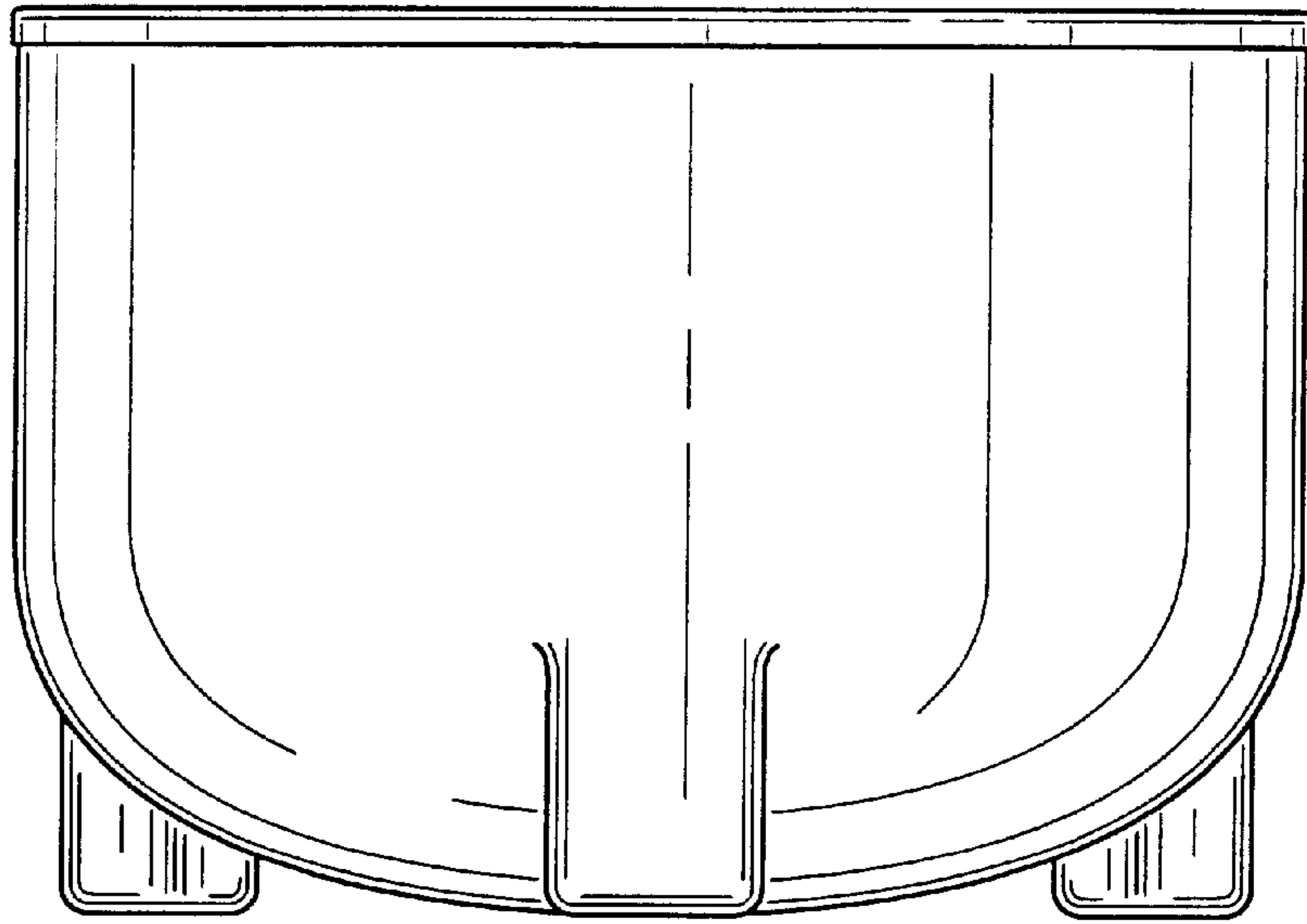


FIG. 3

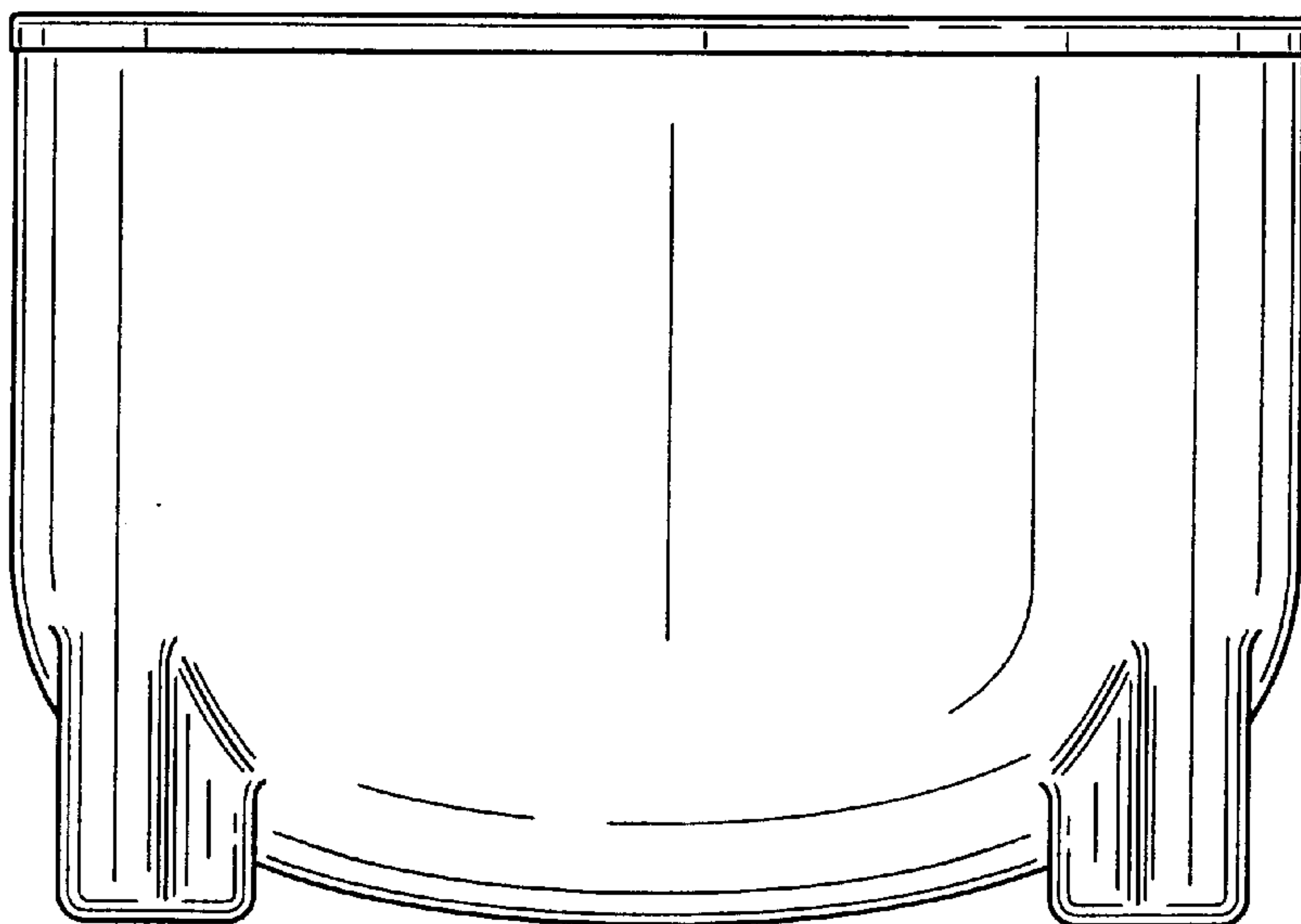


FIG. 4

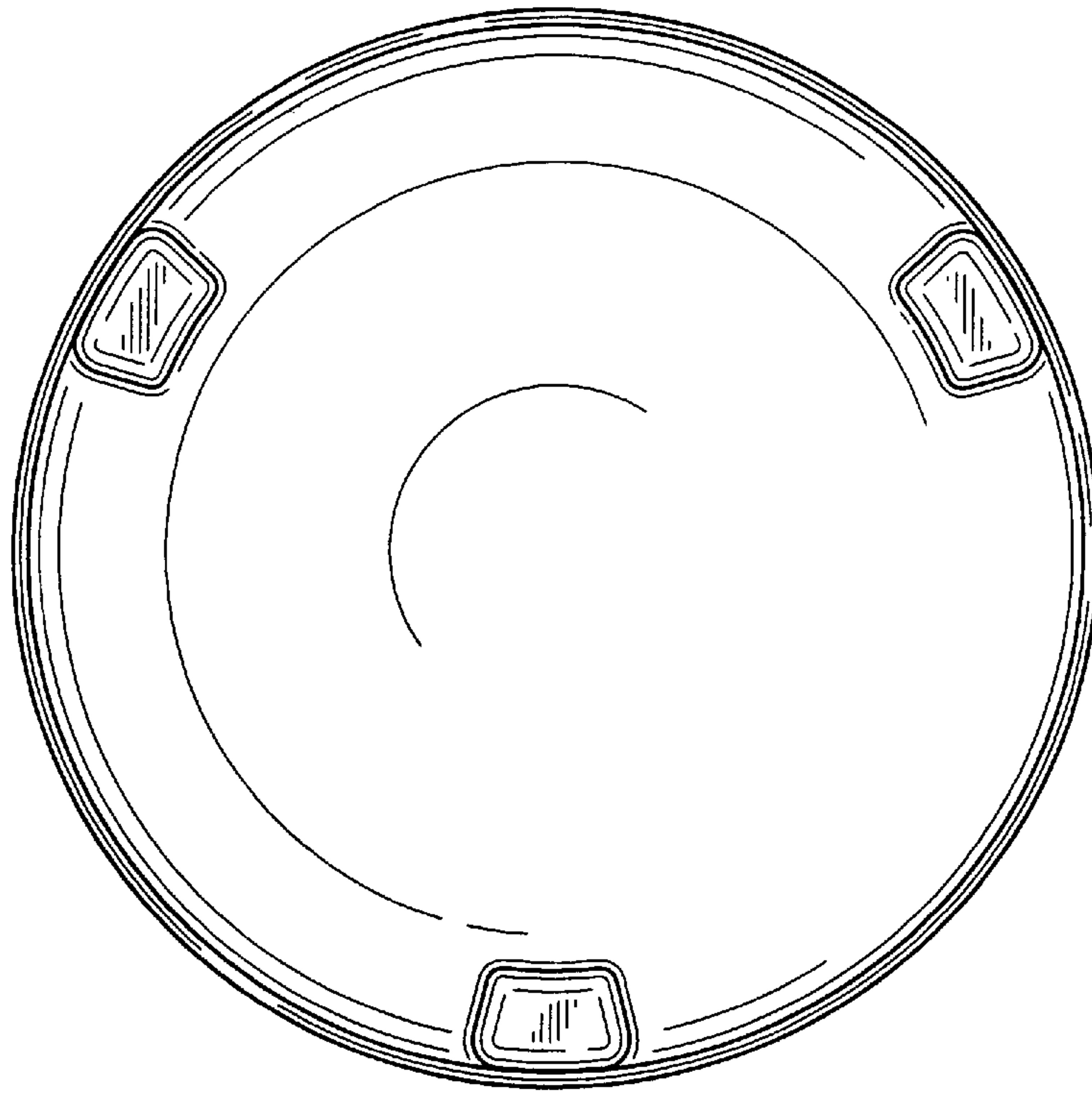


FIG. 5

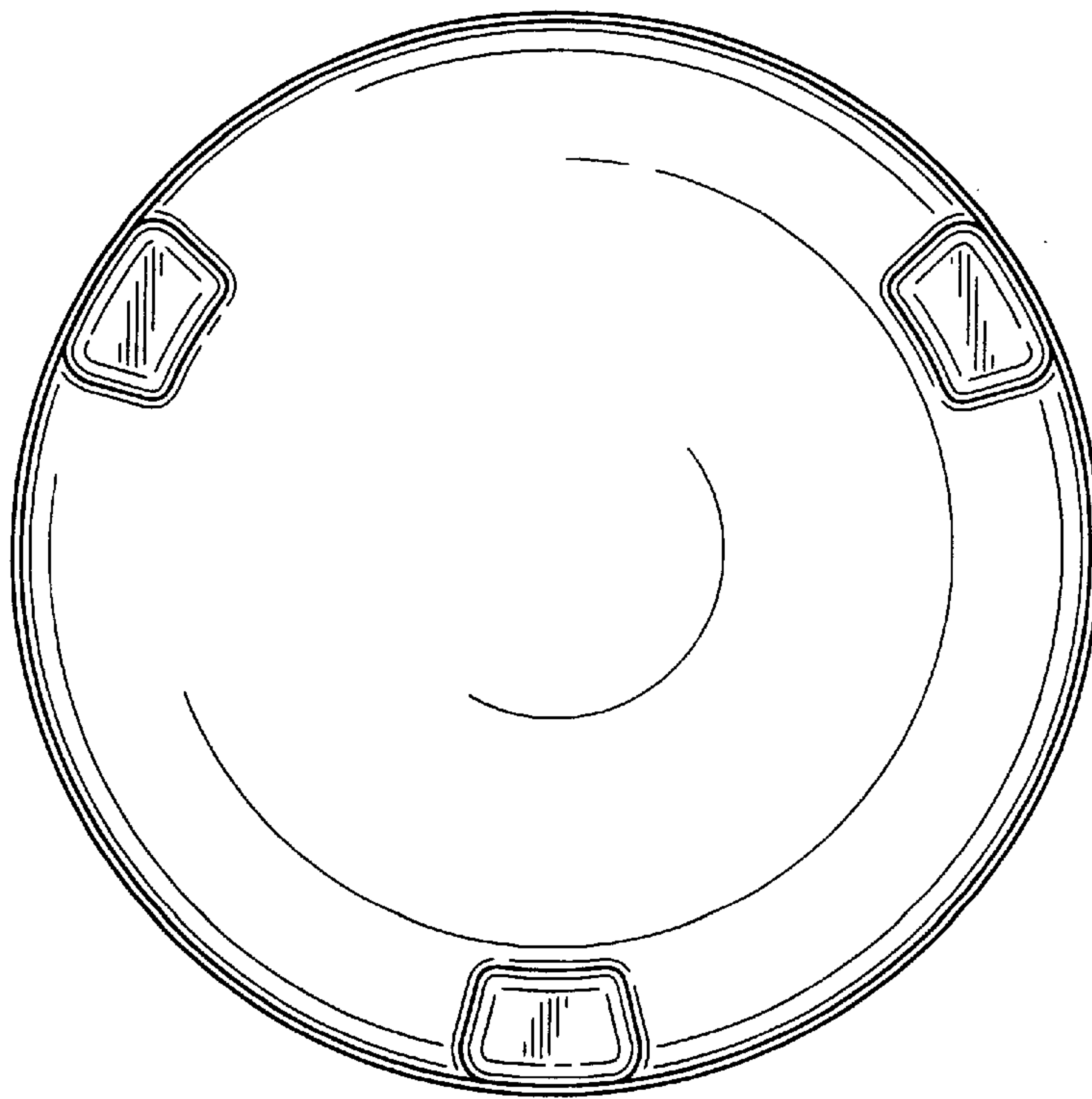


FIG. 6