



US00D474959S

(12) **United States Design Patent**
Massa

(10) **Patent No.:** **US D474,959 S**

(45) **Date of Patent:** **** May 27, 2003**

(54) **WINDOW TREATMENT BRACKET**

(76) Inventor: **Sheryl A. Massa**, 1439 Boswall Dr.,
Worthington, OH (US) 43085

(**) Term: **14 Years**

(21) Appl. No.: **29/169,761**

(22) Filed: **Oct. 25, 2002**

(51) **LOC (7) Cl.** **08-05**

(52) **U.S. Cl.** **D8/381; D8/373**

(58) **Field of Search** D8/373, 381, 363;
D6/556; 160/330, 349.1, 349.2, 181; 211/86.01,
87.01, 105.1; 248/235, 237, 247, 207, 215,
249-250

(56) **References Cited**

U.S. PATENT DOCUMENTS

D23,730 S	*	10/1894	Gavin	D8/381
D23,873 S	*	12/1894	Gavin	D8/381
D162,413 S	*	3/1951	Jorgensen	D25/53
D168,431 S	*	12/1952	Yellin	D6/579
D201,502 S	*	6/1965	Neiman	D8/381
D251,357 S	*	3/1979	Chasen	D8/381

* cited by examiner

Primary Examiner—Pamela Burgess

(74) *Attorney, Agent, or Firm*—Jason H. Foster; Kremblas,
Foster, Phillips & Pollick

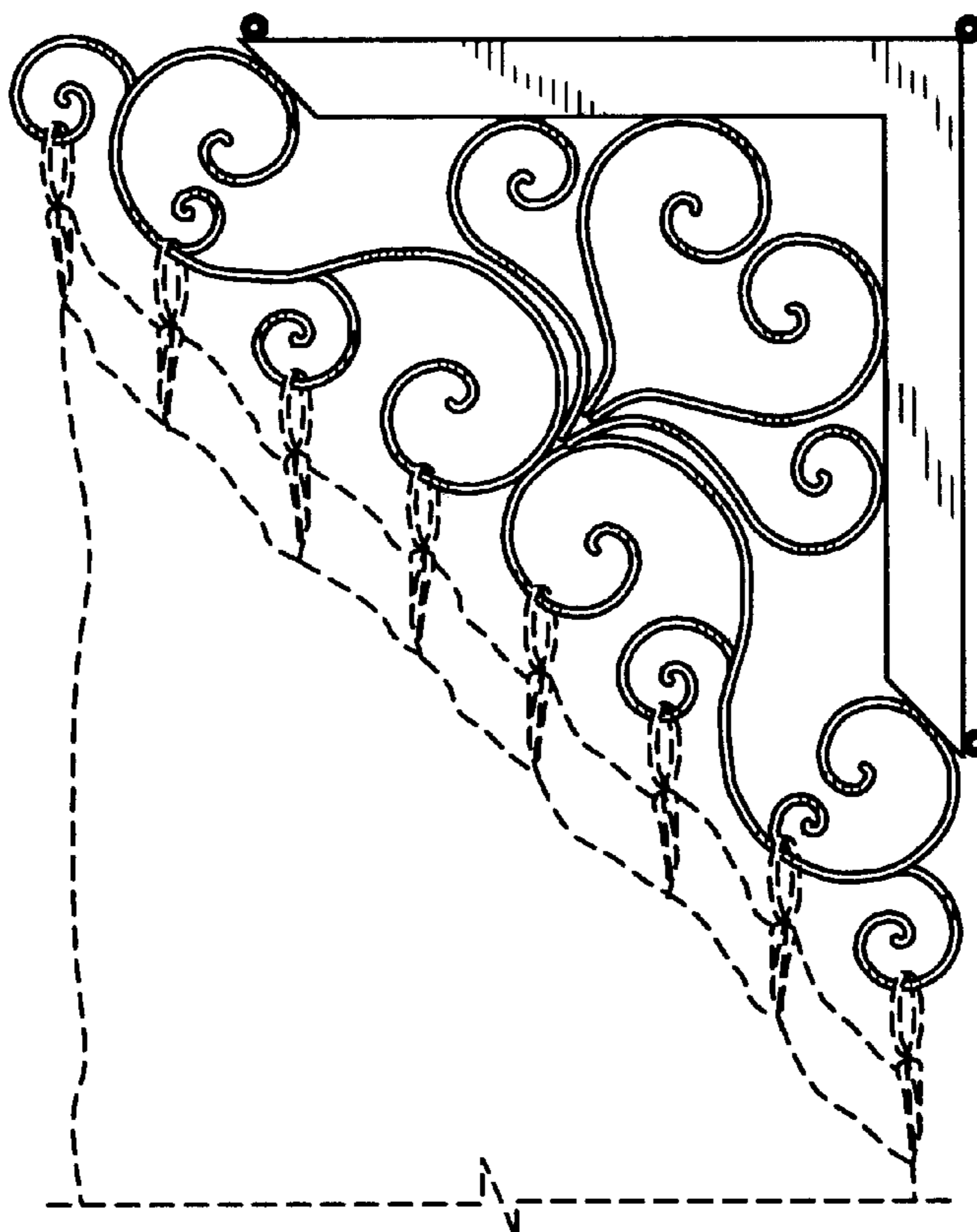
(57) **CLAIM**

The ornamental design for a window treatment bracket, as shown and described.

DESCRIPTION

FIG. 1 is a front perspective view of a window treatment bracket showing my new design;
FIG. 2 is a front elevational view thereof;
FIG. 3 is a rear elevational view thereof;
FIG. 4 is a top plan view thereof;
FIG. 5 is a bottom plan view thereof;
FIG. 6 is a front elevational view of a second embodiment of a window treatment bracket showing my new design, the broken lines depicting window trim is for illustrative purposes only and forms no part of the claimed design;
FIG. 7 is a rear elevational view thereof;
FIG. 8 is a front elevational view of a third embodiment of a window treatment bracket showing my new design, the broken lines depicting a curtain is for illustrative purposes only and forms no part of the claimed design;
FIG. 9 is a rear elevational view thereof;
FIG. 10 is a front perspective view of FIG. 6; and,
FIG. 11 is a front perspective view of FIG. 8.

1 Claim, 3 Drawing Sheets



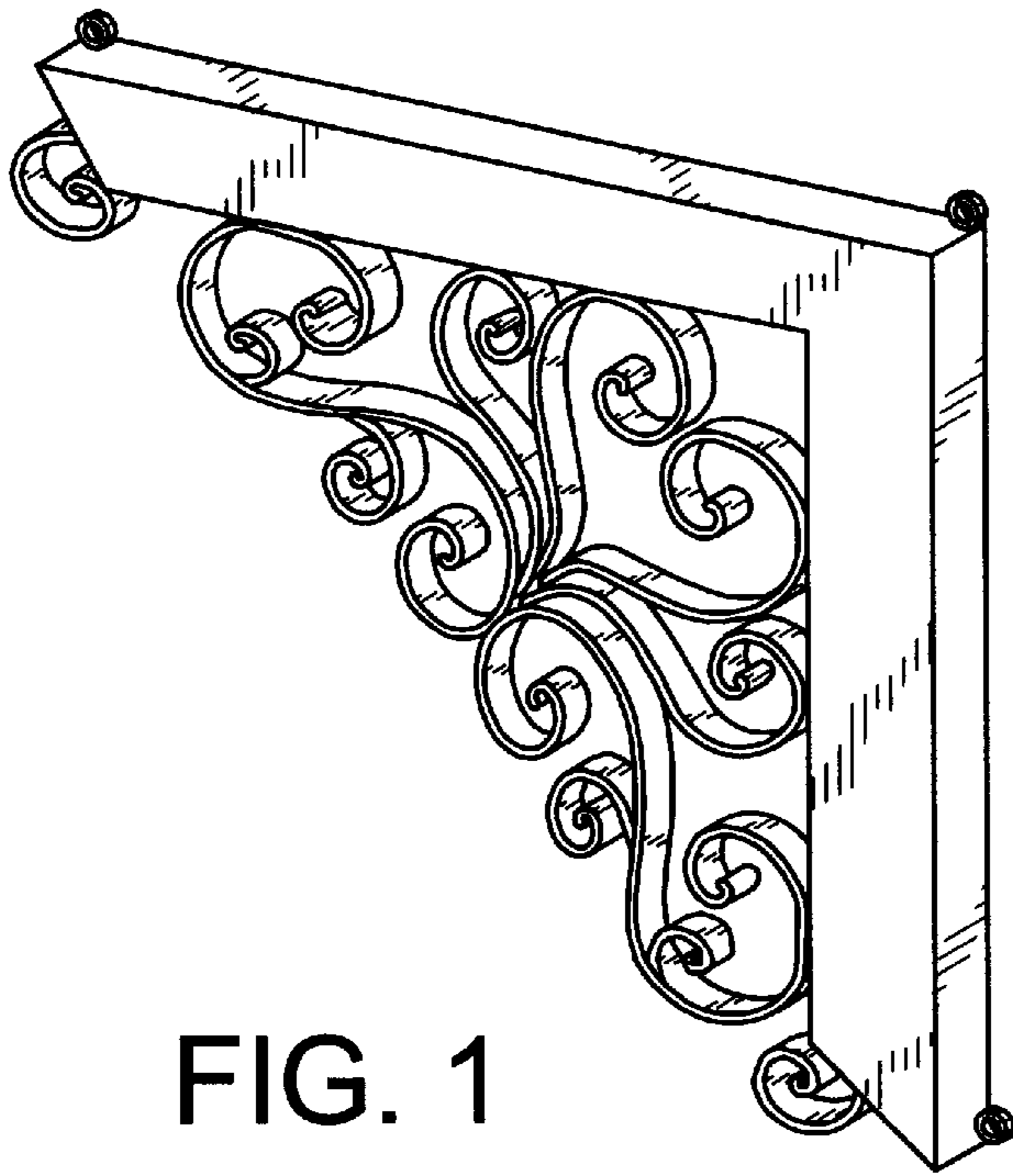


FIG. 1

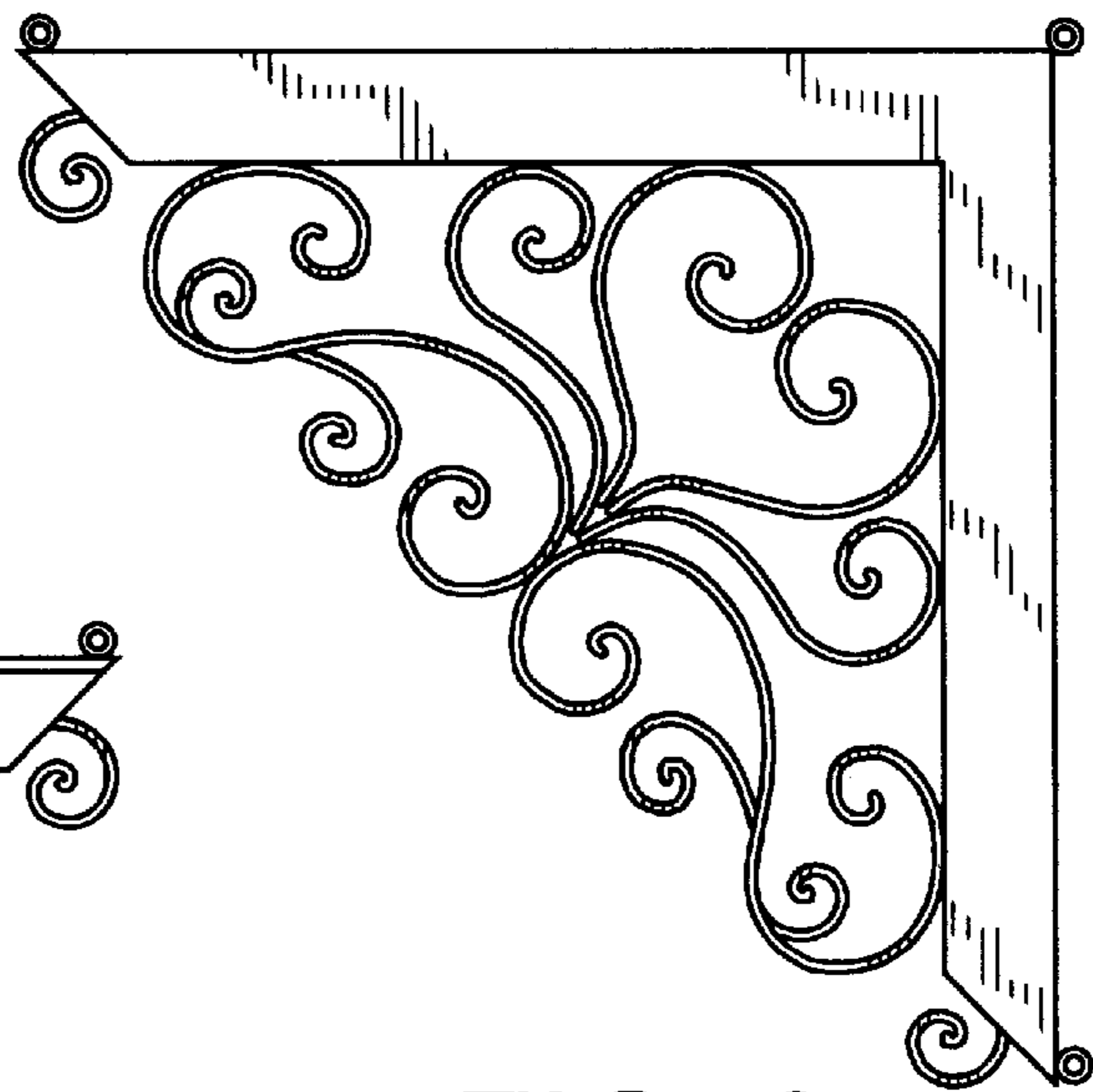


FIG. 2

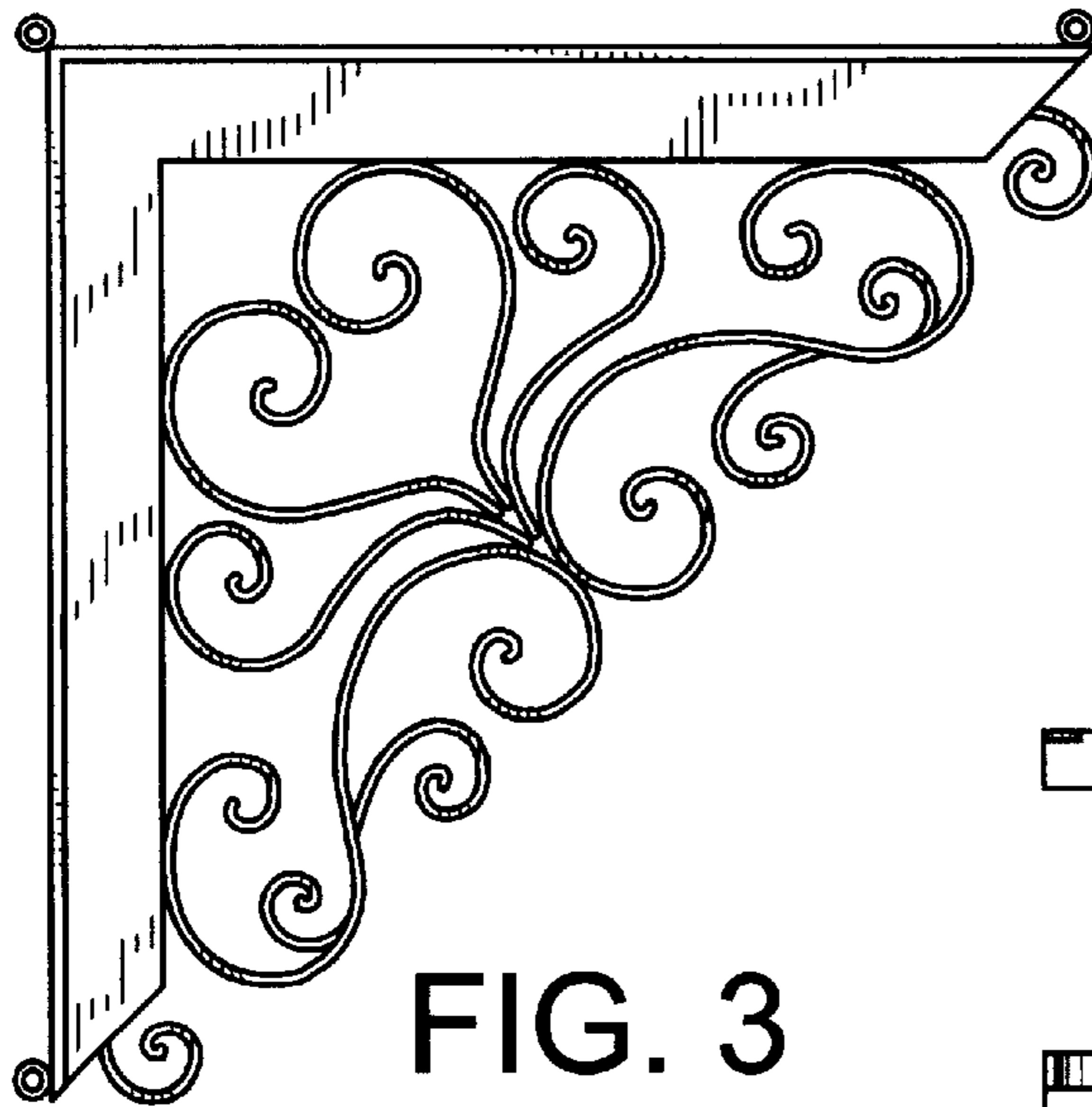


FIG. 3

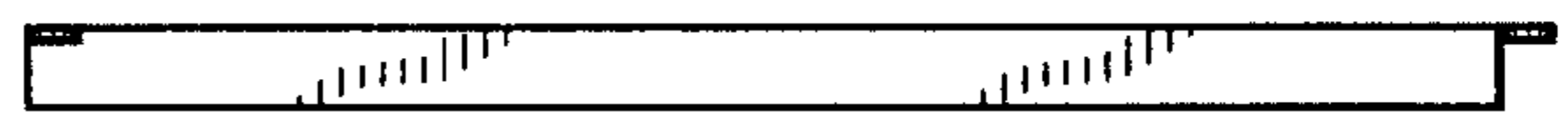


FIG. 4



FIG. 5

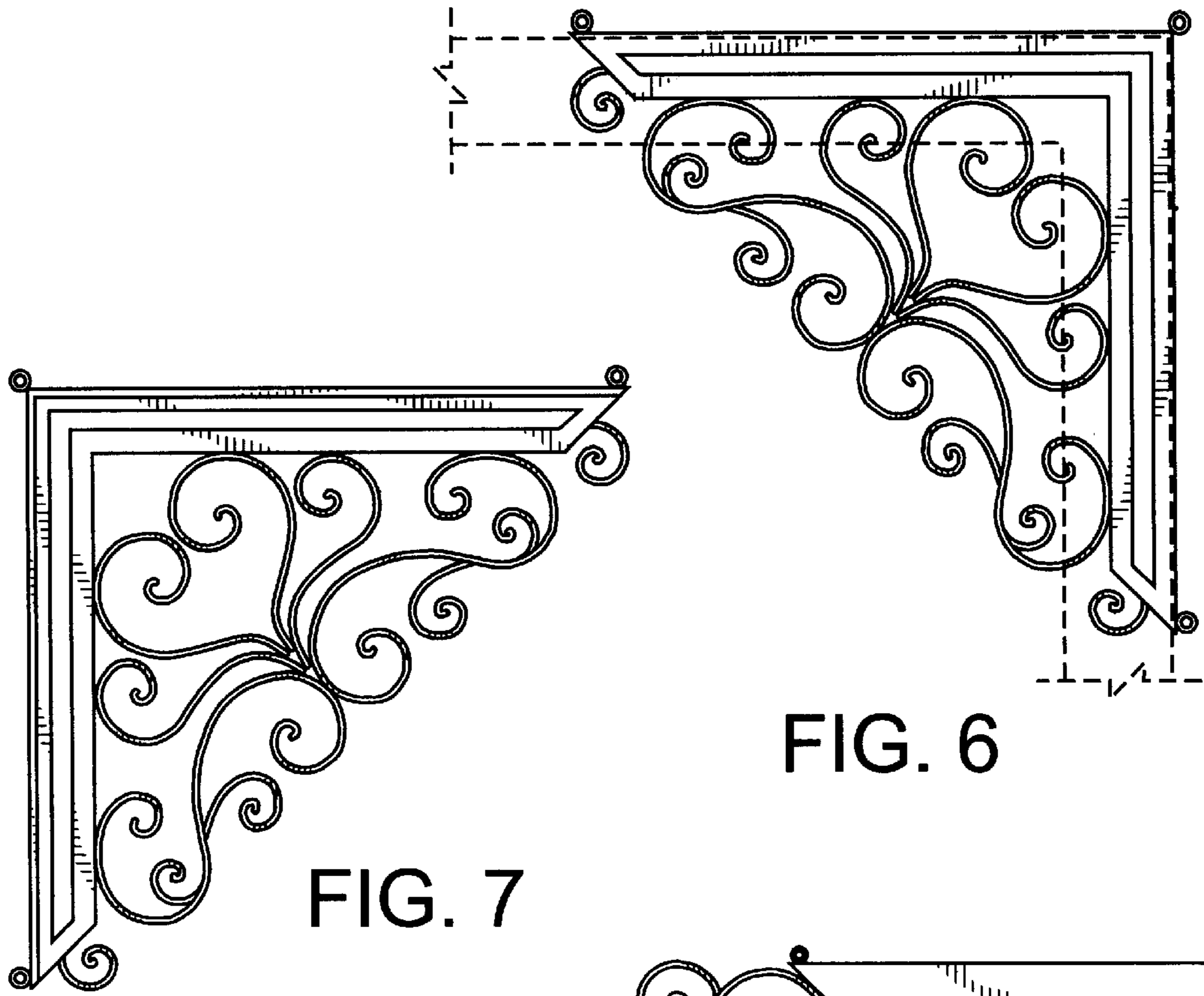


FIG. 6

FIG. 7

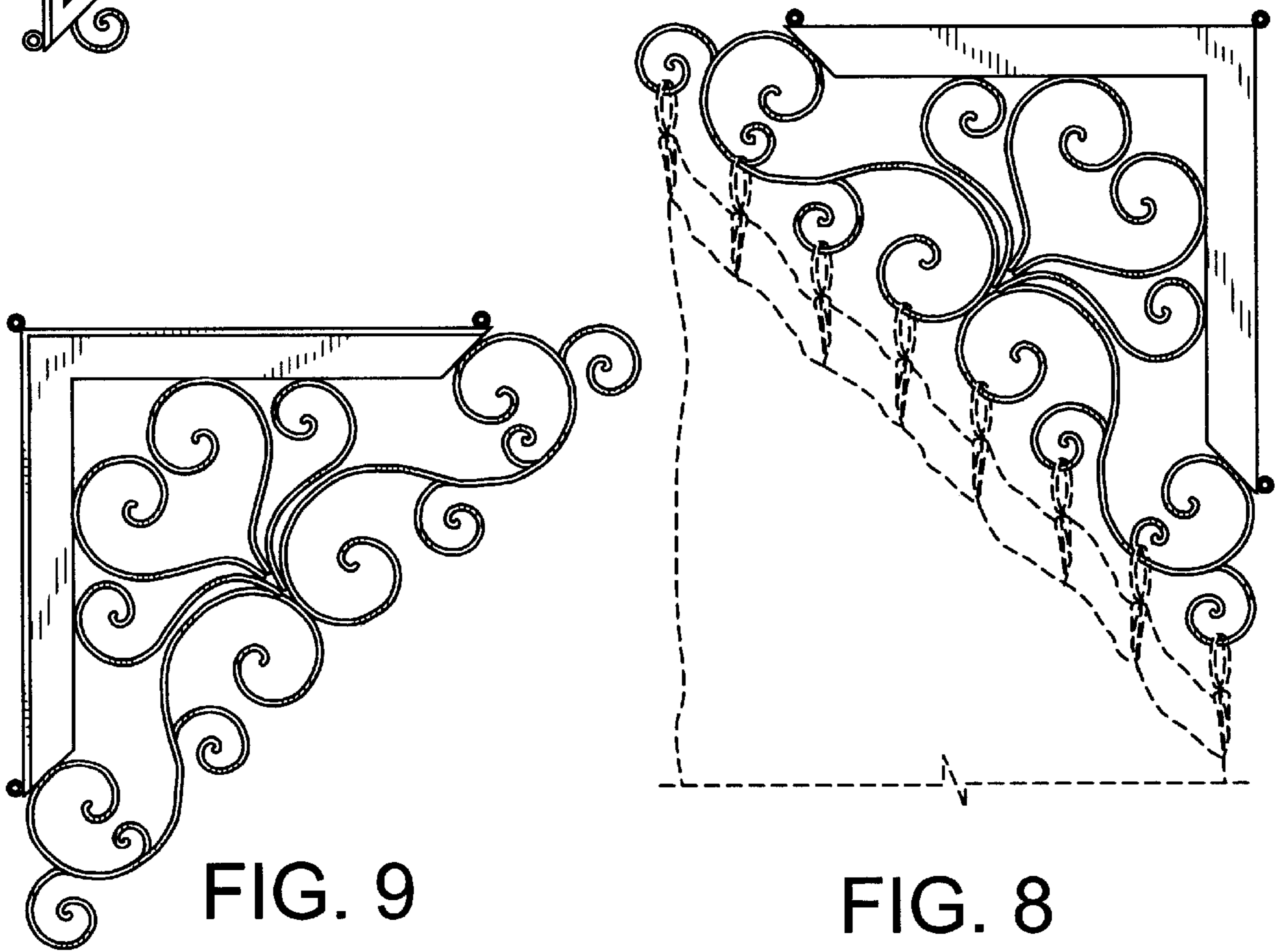


FIG. 8

FIG. 9

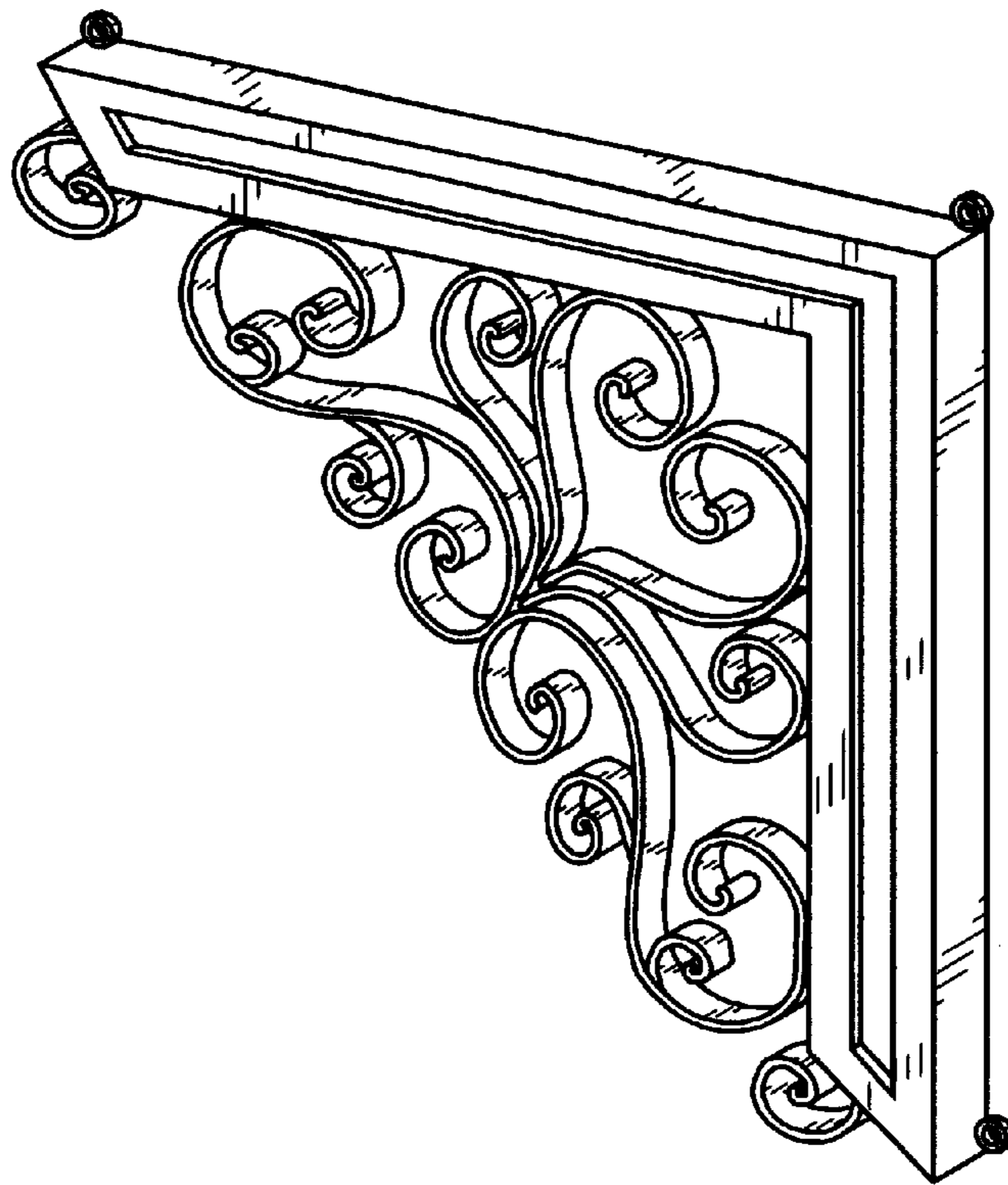


FIG. 10

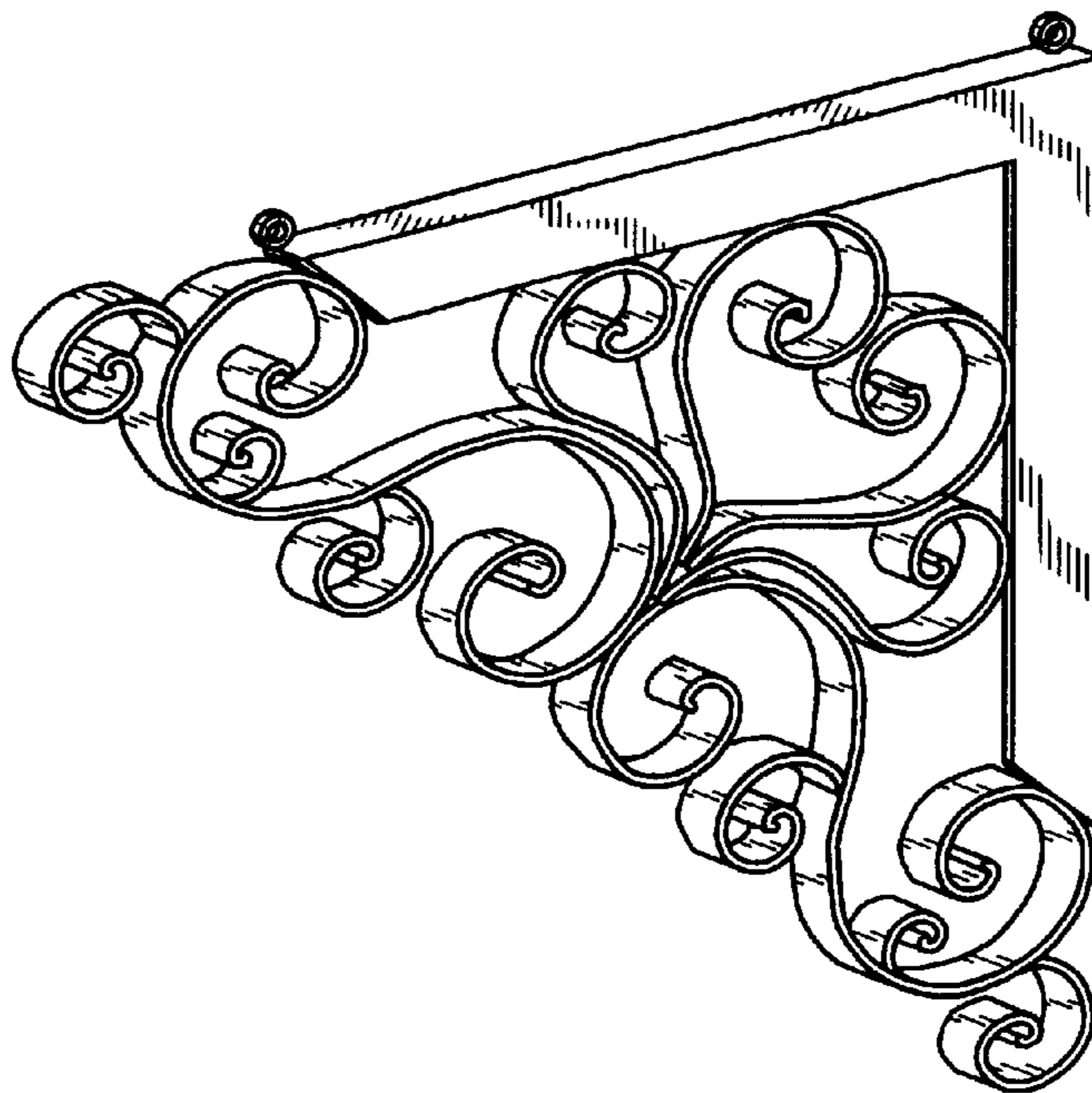


FIG. 11