



US00D474958S

(12) **United States Design Patent**
Perdue

(10) **Patent No.:** **US D474,958 S**

(45) **Date of Patent:** **** May 27, 2003**

(54) **BRACKET FOR SUPPORTING SOUND-
ABSORBING WALL PANELS**

1,335,042 A * 3/1920 Cadwallader 174/158 R
RE19,431 E * 1/1935 Balduf 52/144
D437,282 S * 2/2001 Joll D12/223

(76) **Inventor:** **Jay Perdue**, 4210 Hester Rd., Amarillo,
TX (US) 79124

* cited by examiner

(**) **Term:** **14 Years**

Primary Examiner—Doris V. Coles
Assistant Examiner—Elizabeth Albert
(74) *Attorney, Agent, or Firm*—Norman Rainer

(21) **Appl. No.:** **29/161,507**

(22) **Filed:** **Jun. 3, 2002**

(57) **CLAIM**

(51) **LOC (7) Cl.** **08-08**

(52) **U.S. Cl.** **D8/349**

(58) **Field of Search** D8/349, 354, 363,
D8/366, 373, 380; D25/58, 134; 52/27,
64, 79.1, 79.9, 144, 411, 506.01, 506.04,
506.05, 506.06, 712, 779; 181/198, 210,
284, 285, 286, 287, 288, 289, 290, 291;
248/200, 224.61, 300, 309.1, 316.2, 317

The ornamental design for a bracket for supporting sound-
absorbing wall panels, as shown and described.

DESCRIPTION

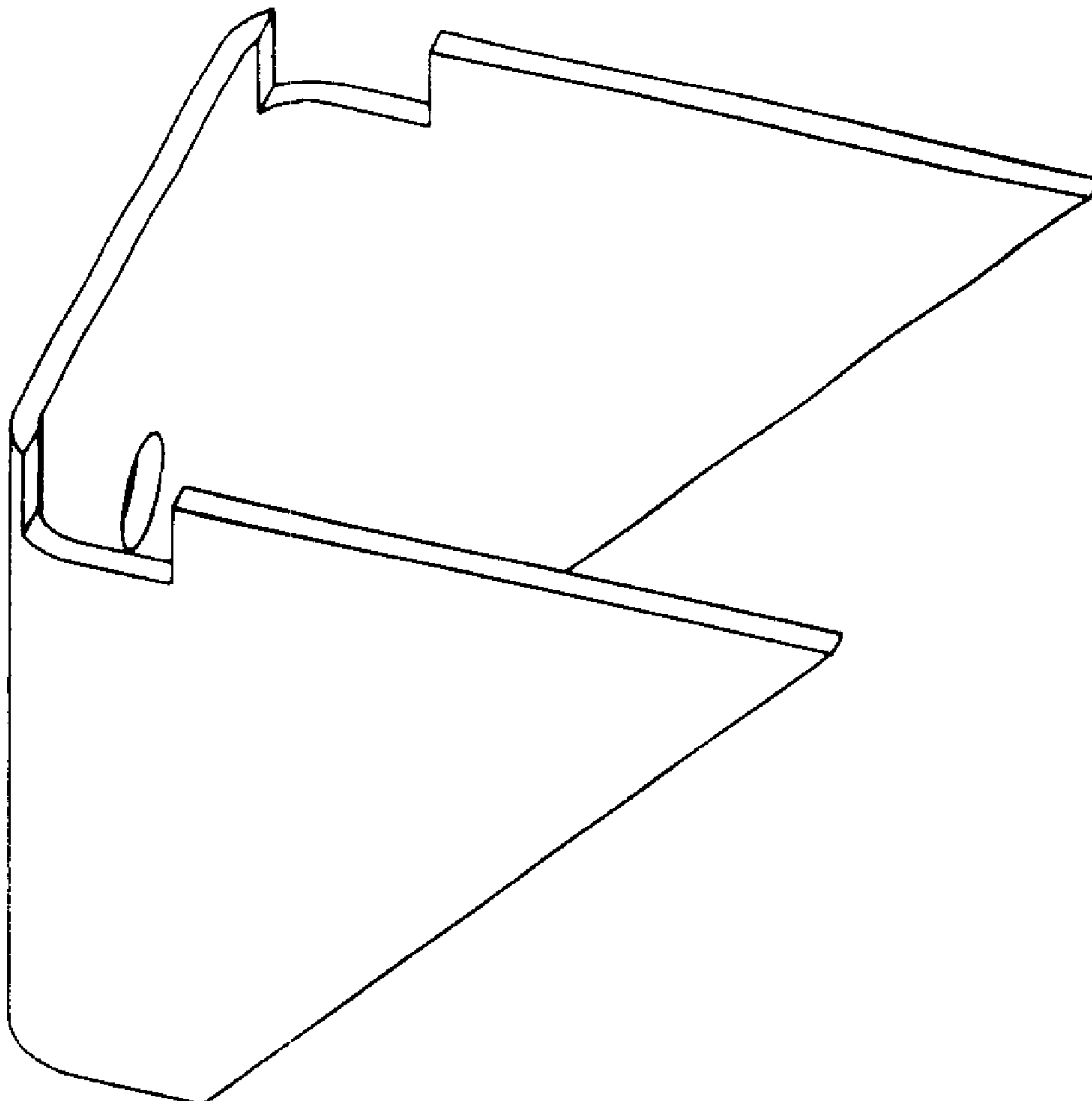
FIG. 1 is a top and side perspective view of a bracket for
supporting sound-absorbing wall panels, showing my new
design;
FIG. 2 is a side view thereof, the unshown opposite side
being of mirror-image appearance;
FIG. 3 is a top plan view thereof;
FIG. 4 is a rear view thereof; and,
FIG. 5 is a front view thereof.

(56) **References Cited**

U.S. PATENT DOCUMENTS

1,113,538 A * 10/1914 Braucher et al. 248/300

1 Claim, 1 Drawing Sheet



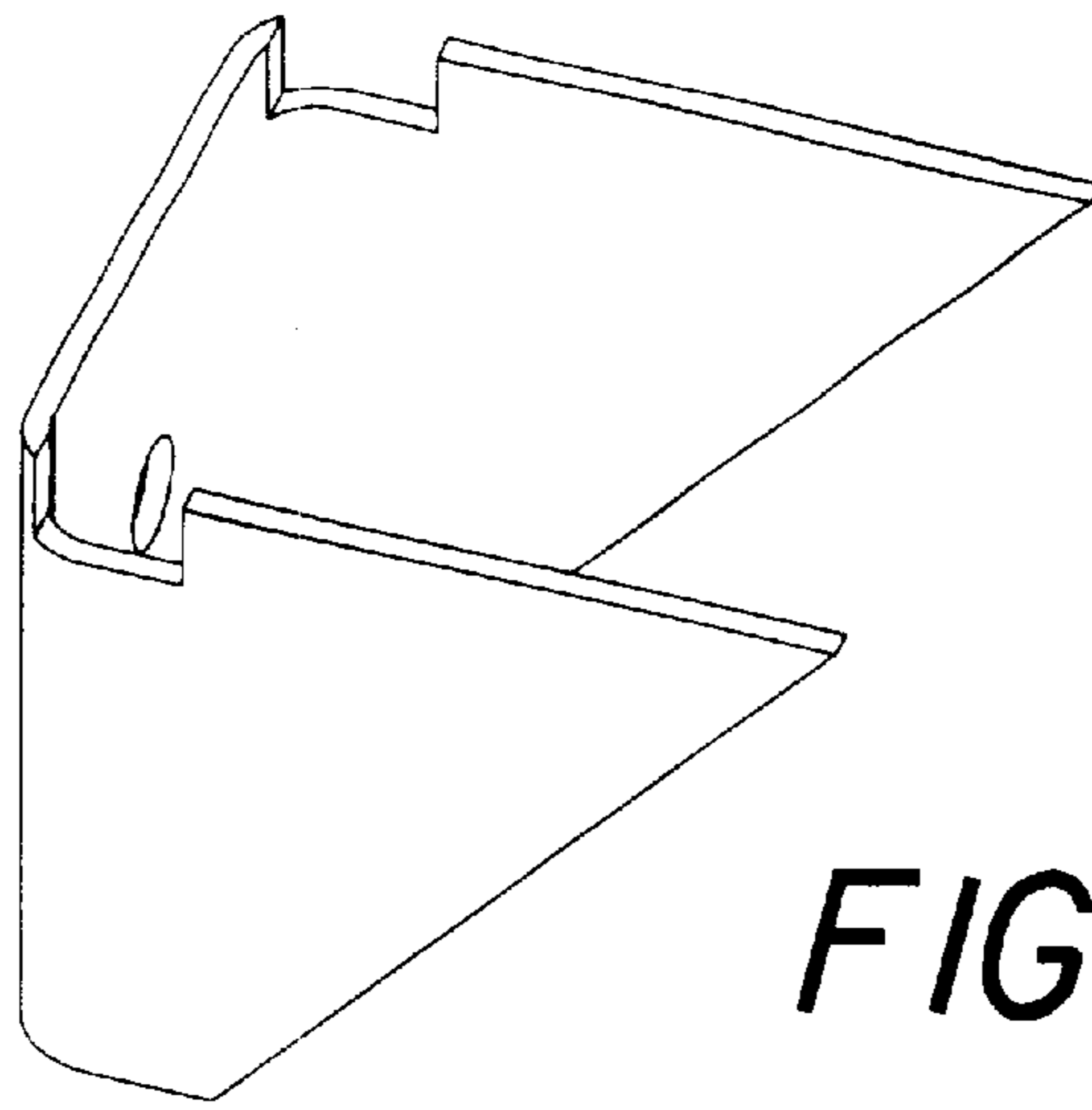


FIG. 1

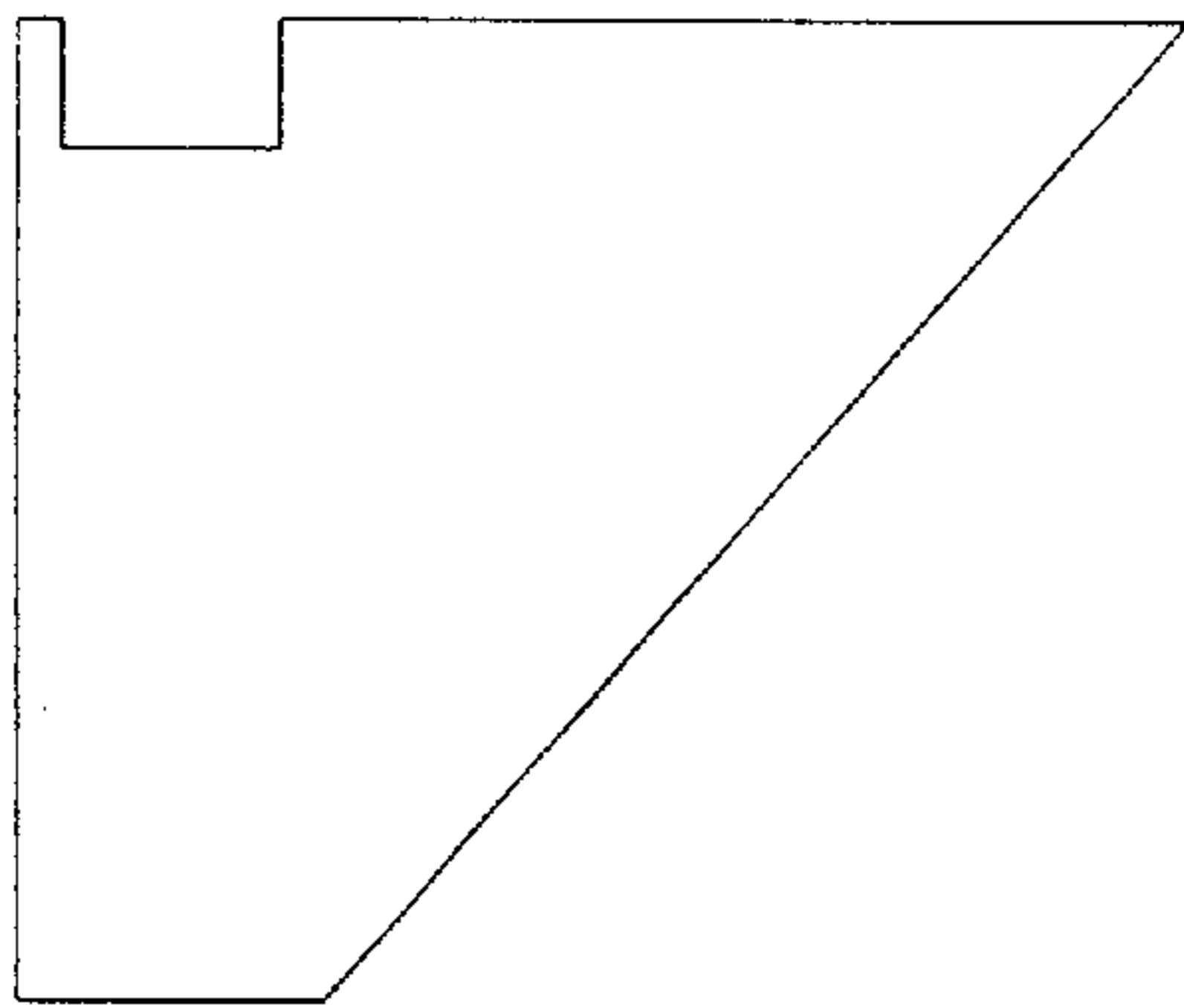


FIG. 2

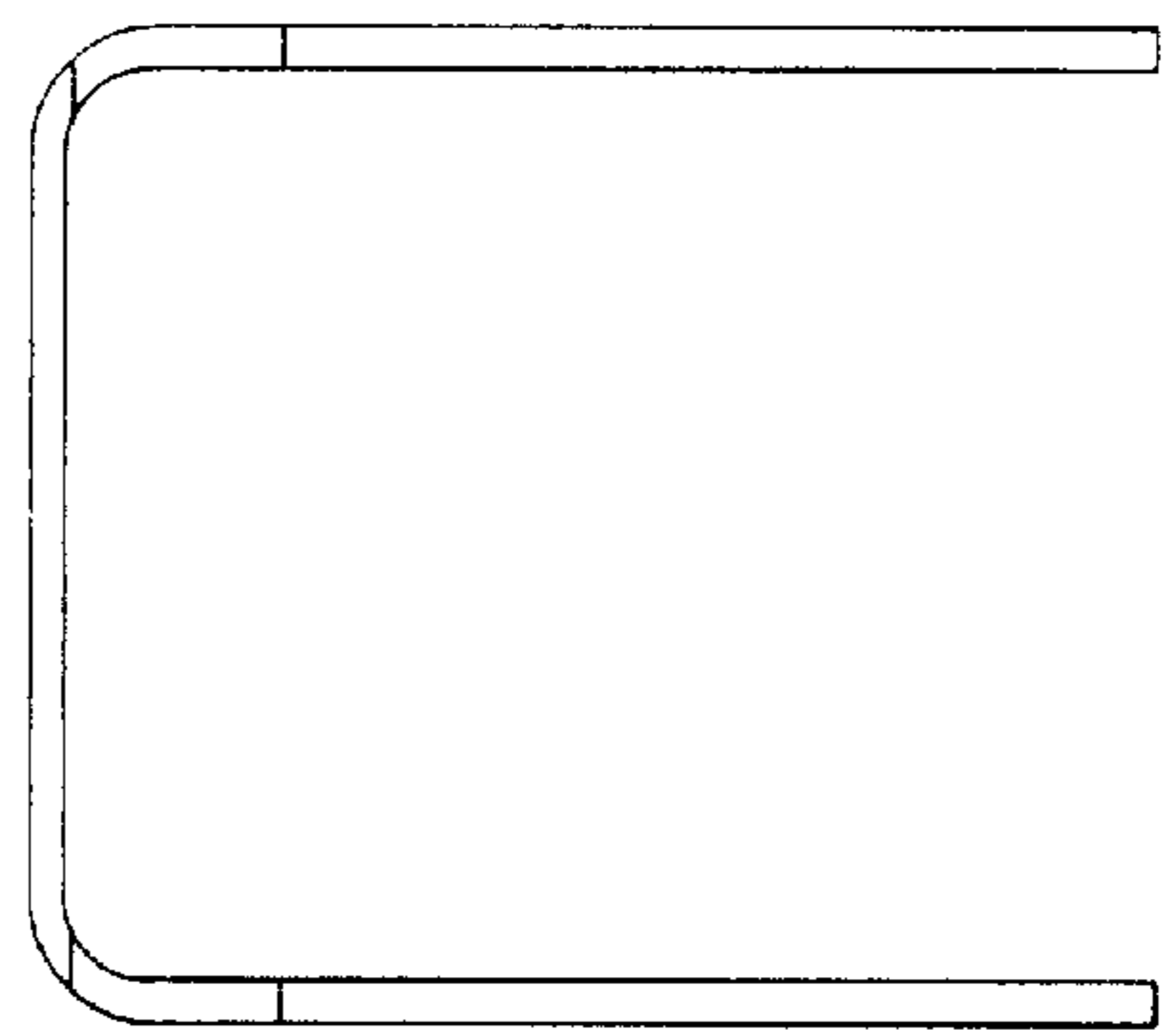


FIG. 3

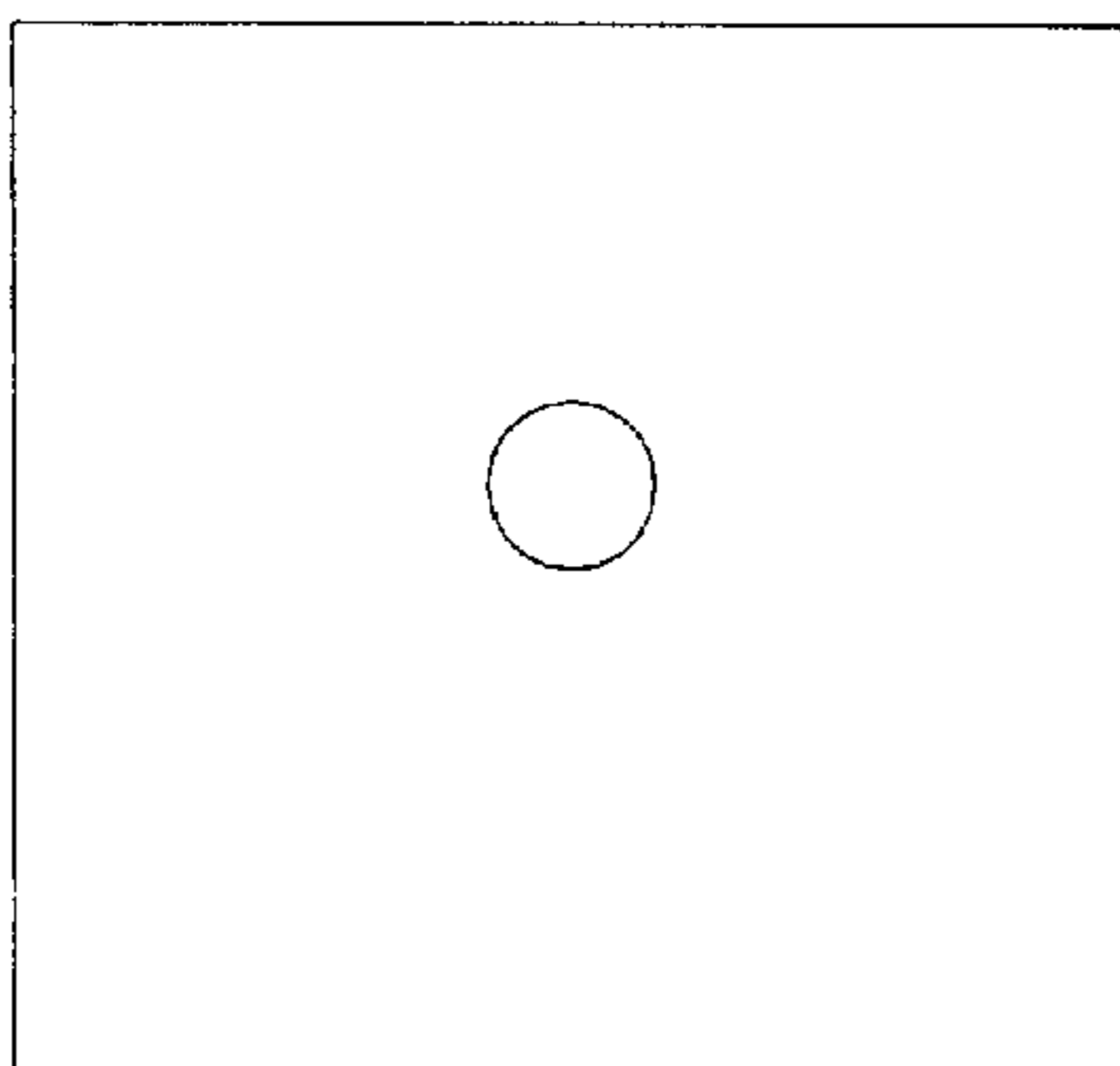


FIG. 4

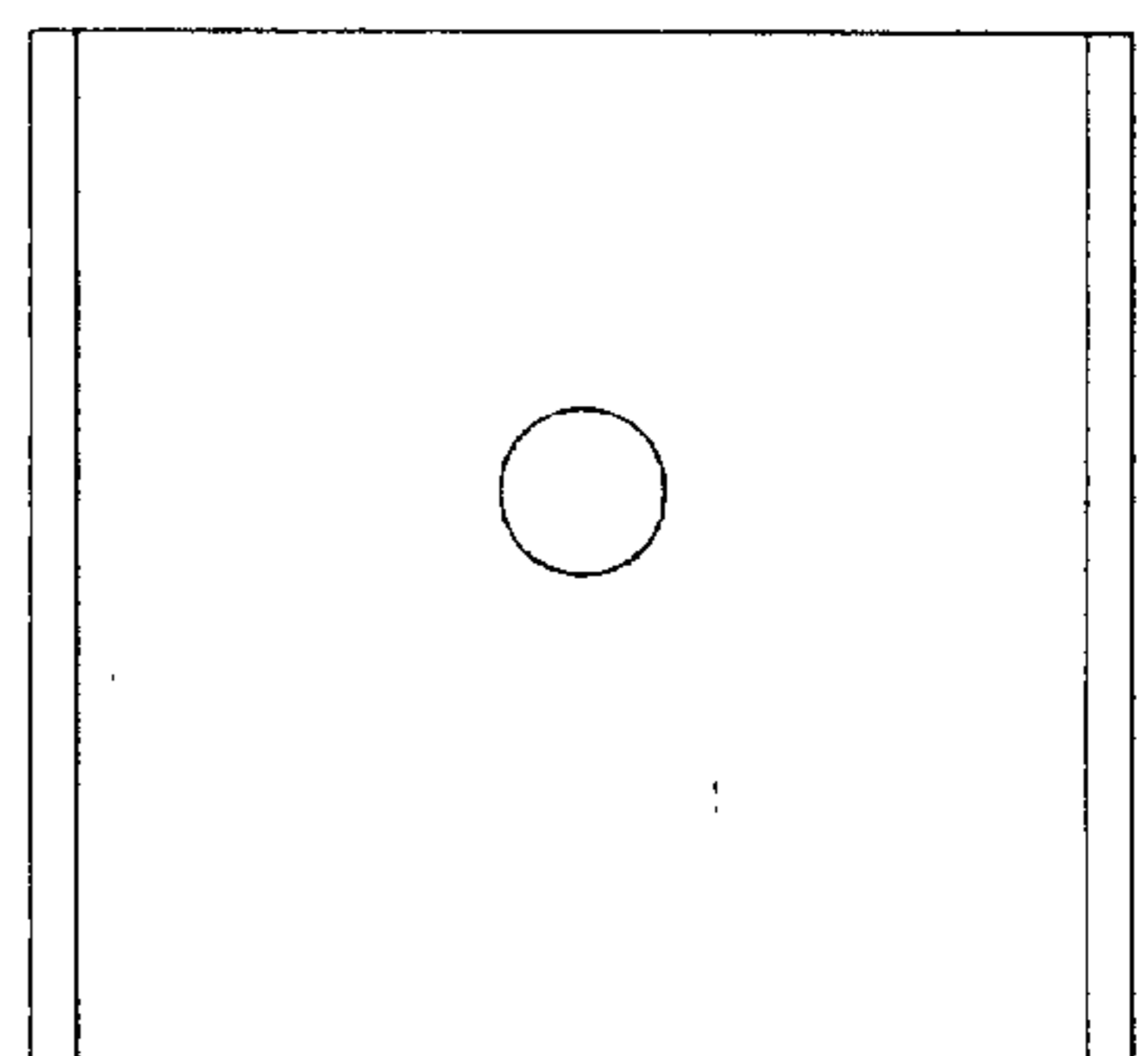


FIG. 5