



US00D474953S

(12) **United States Design Patent**  
**Santarsiero et al.**

(10) **Patent No.:** **US D474,953 S**

(45) **Date of Patent:** **\*\* May 27, 2003**

(54) **HAND-HELD POWER DRILL**

(75) Inventors: **Paul Santarsiero**, Avon, CT (US);  
**Robert Bruno**, Avon, CT (US);  
**Christopher Switalski**, Suffield, CT  
(US); **Robert Pjevach**, Lindenhurst, IL  
(US); **Todd LiPetri**, Naperville, IL  
(US)

(73) Assignee: **S-B Power Tool Corporation**, Chicago,  
IL (US)

(\*\*) Term: **14 Years**

(21) Appl. No.: **29/170,151**

(22) Filed: **Nov. 2, 2002**

(51) **LOC (7) Cl.** ..... **08-01**

(52) **U.S. Cl.** ..... **D8/68**

(58) **Field of Search** ..... D8/61, 62, 63,  
D8/64, 65, 66, 67, 68, 69, 70; 81/57.11,  
429, 464, 465, 466, 469, 489; 173/13, 169,  
178, 213, 217; 227/8, 114, 120, 130, 136,  
142; 310/50; 408/20, 124, 125, 234, 241 R;  
451/358

(56) **References Cited**

**U.S. PATENT DOCUMENTS**

D212,911 S \* 12/1968 Dudek ..... D8/68  
D221,206 S \* 7/1971 Yran ..... D8/68  
D246,946 S \* 1/1978 Schultz ..... D8/68  
D256,771 S \* 9/1980 Kitagawa et al. .... D8/68

5,447,205 A \* 9/1995 Thurler ..... 173/13  
5,653,294 A \* 8/1997 Thurler ..... 173/13  
D394,995 S \* 6/1998 Cooper ..... D8/68  
D400,074 S \* 10/1998 Cooper ..... D8/68  
D403,219 S \* 12/1998 Bosten et al. .... D8/68  
5,984,022 A \* 11/1999 Harman, Jr. et al. .... 81/57.11  
6,124,652 A \* 9/2000 Karasa et al. .... 310/50  
D467,482 S \* 12/2002 Kunz et al. .... D8/68  
D467,781 S \* 12/2002 Kunz et al. .... D8/68

\* cited by examiner

*Primary Examiner*—Doris V. Coles

*Assistant Examiner*—T. Chase Nelson

(74) *Attorney, Agent, or Firm*—Victor A. Henzi

(57) **CLAIM**

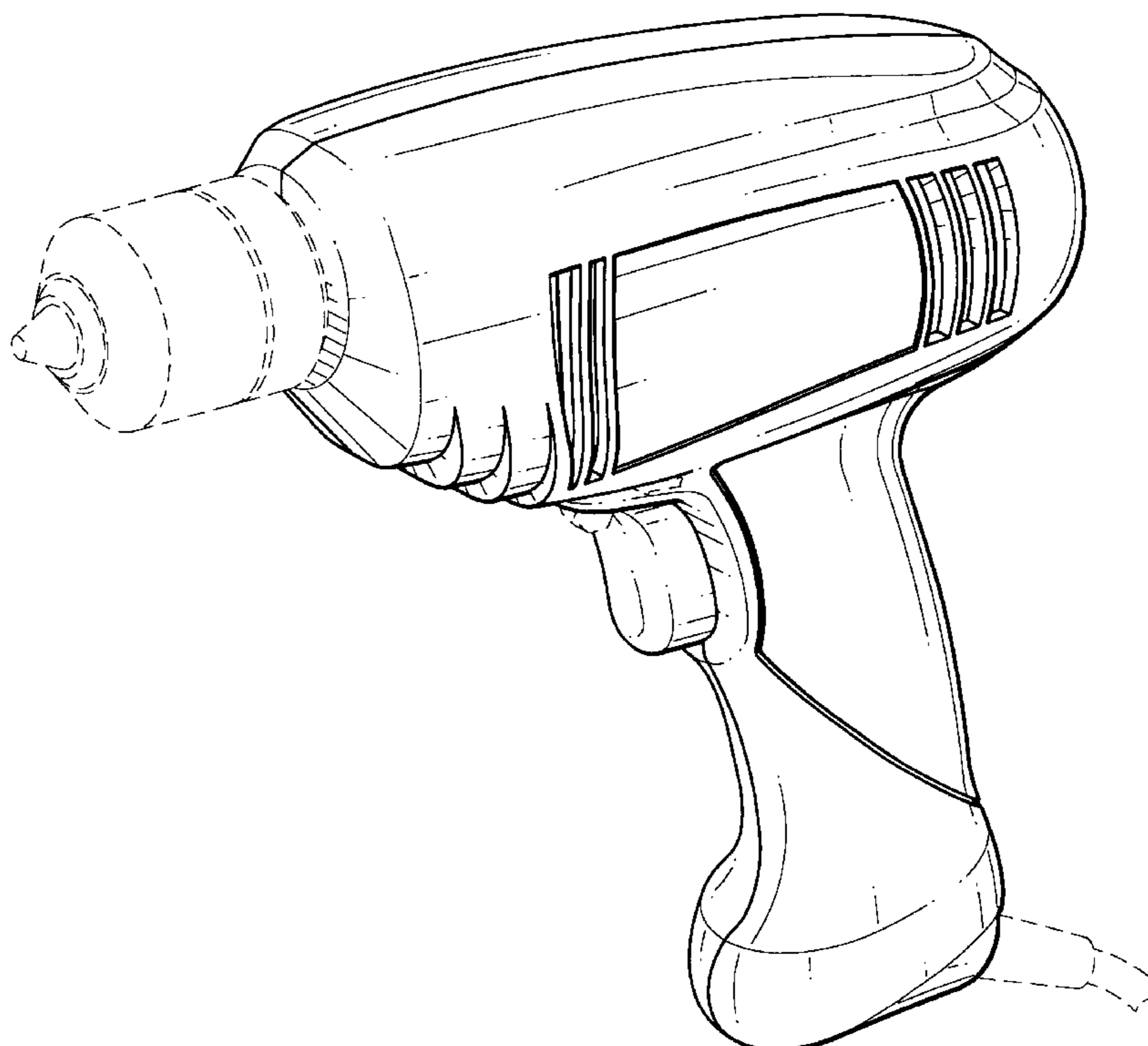
The ornamental design for a hand-held power drill, as shown and described.

**DESCRIPTION**

FIG. 1 is a front perspective view of the present new design of a hand-held power drill;  
FIG. 2 is a left side view thereof;  
FIG. 3 is a right side view thereof;  
FIG. 4 is a front view thereof;  
FIG. 5 is a rear view thereof;  
FIG. 6 is top view thereof; and,  
FIG. 7 is a bottom view thereof.

The broken lines showing various features of a hand-held power drill are for illustrative purposes only and form no part of the claimed design.

**1 Claim, 5 Drawing Sheets**



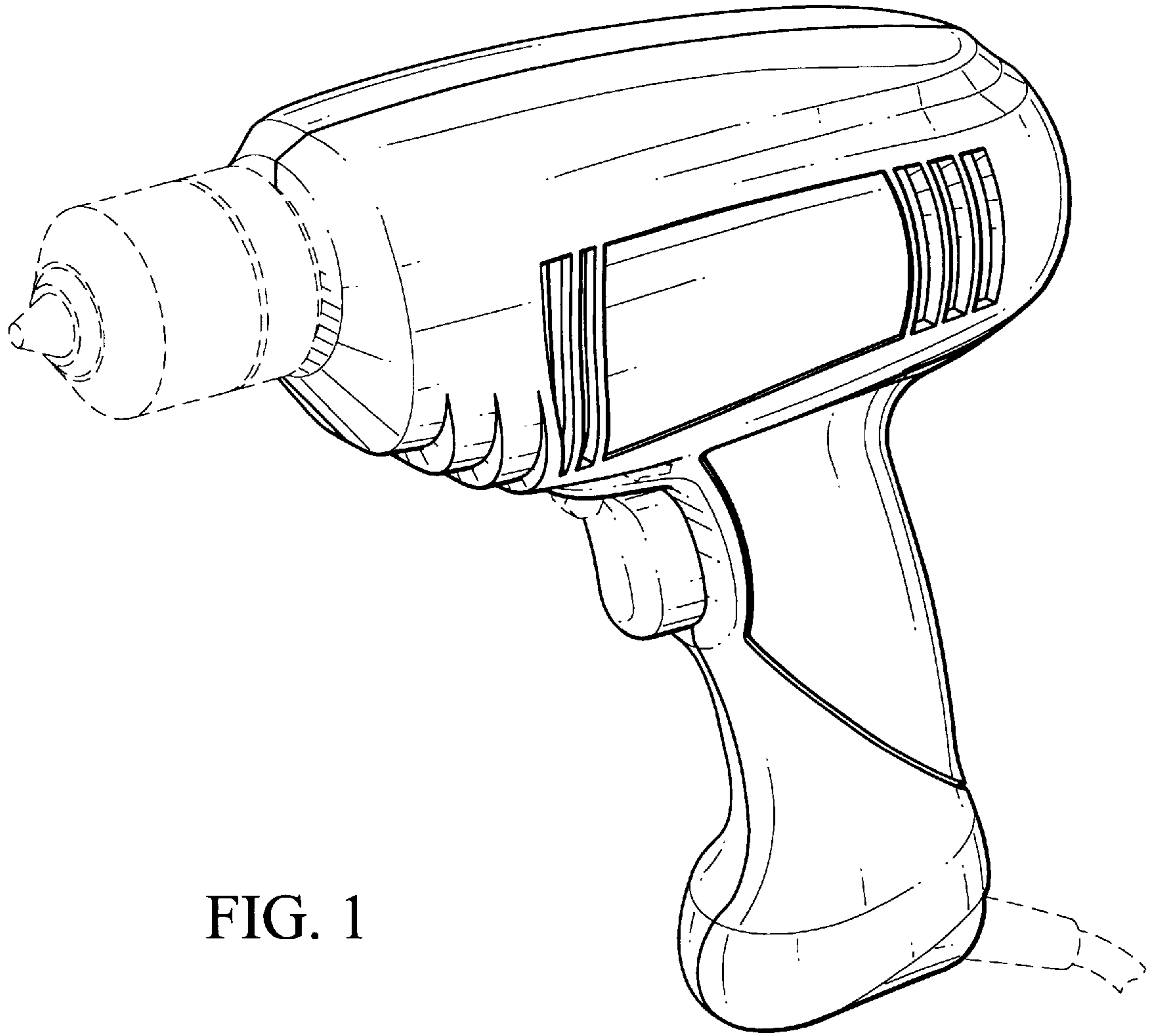


FIG. 1

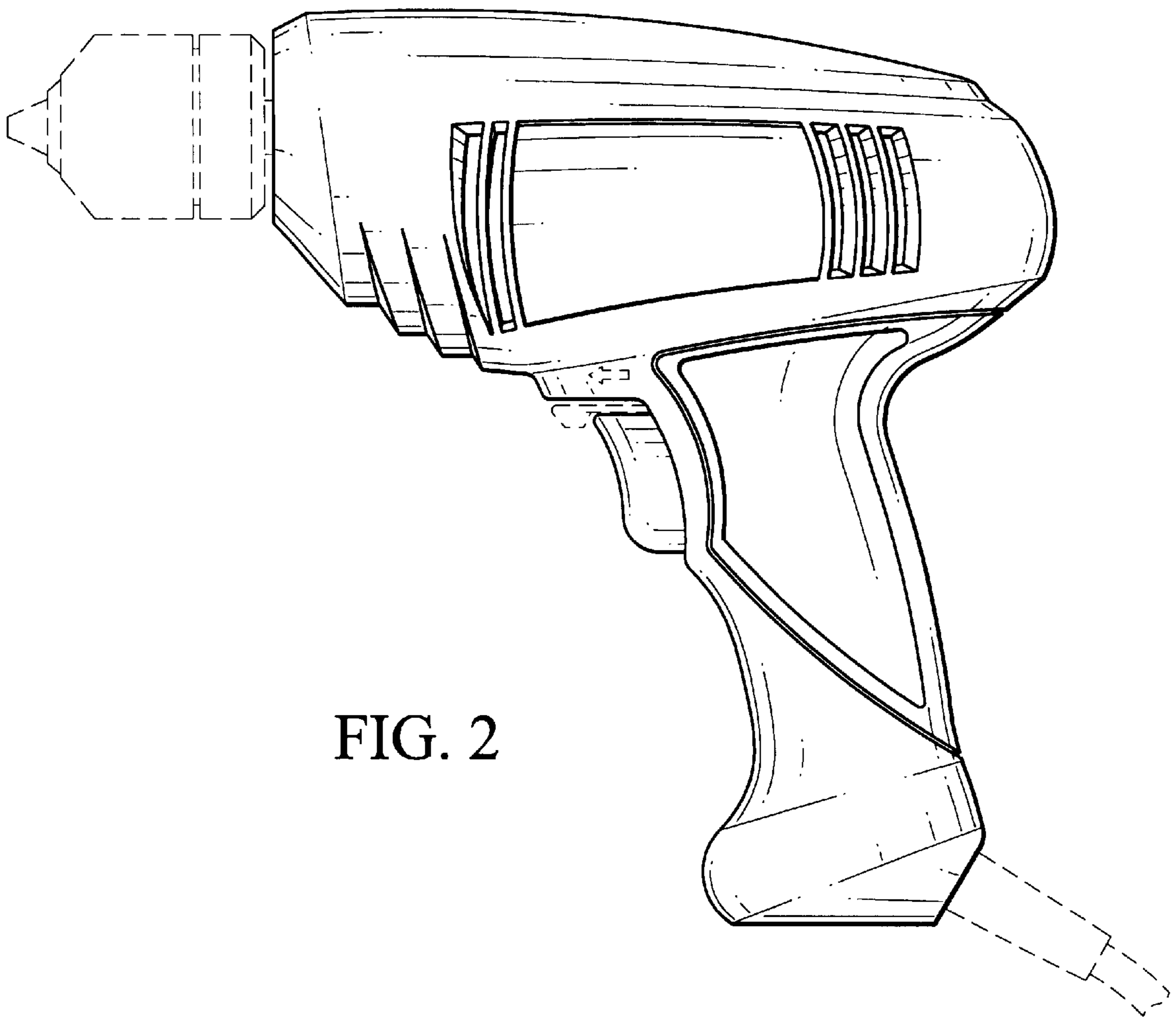


FIG. 2

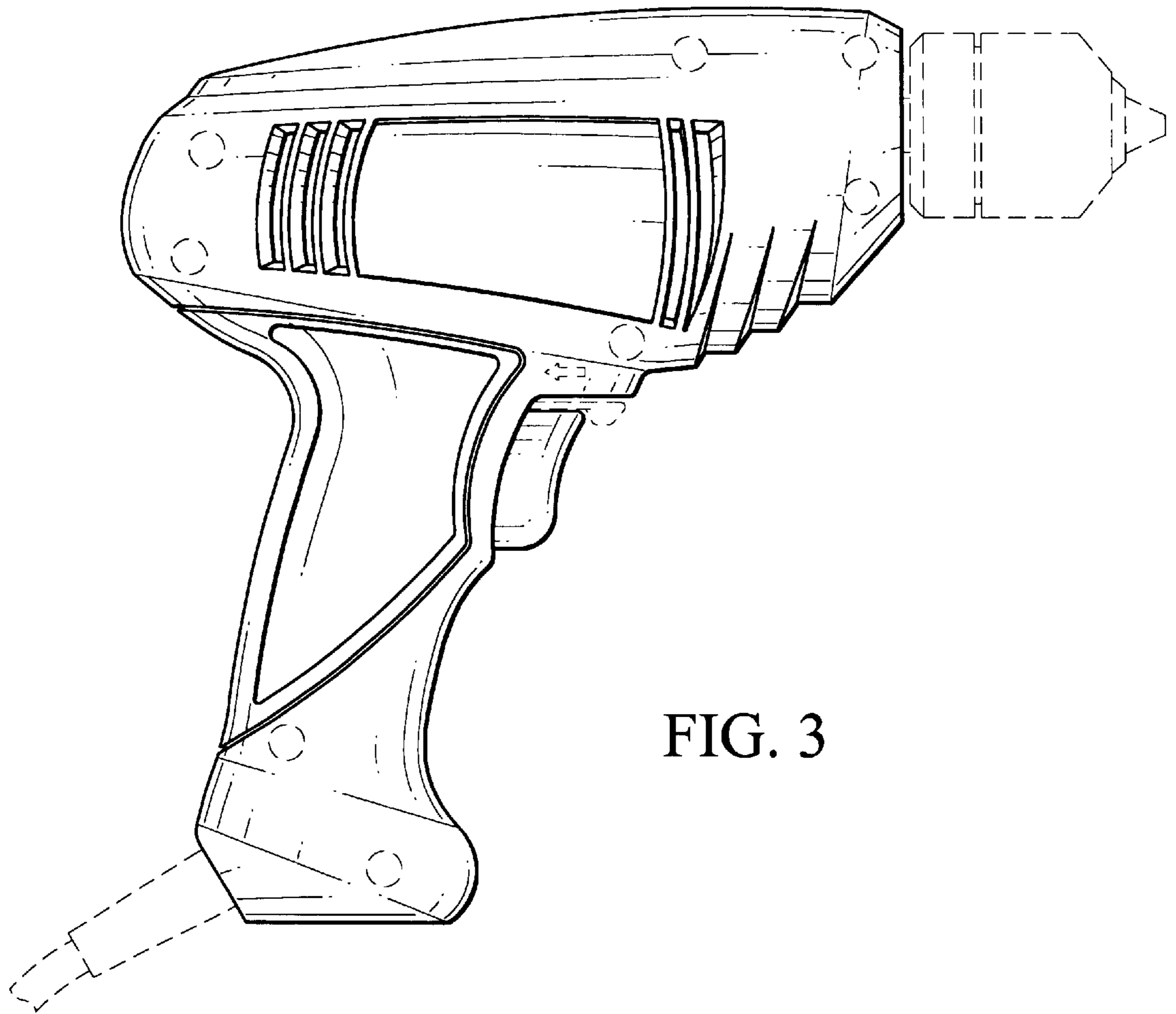


FIG. 3

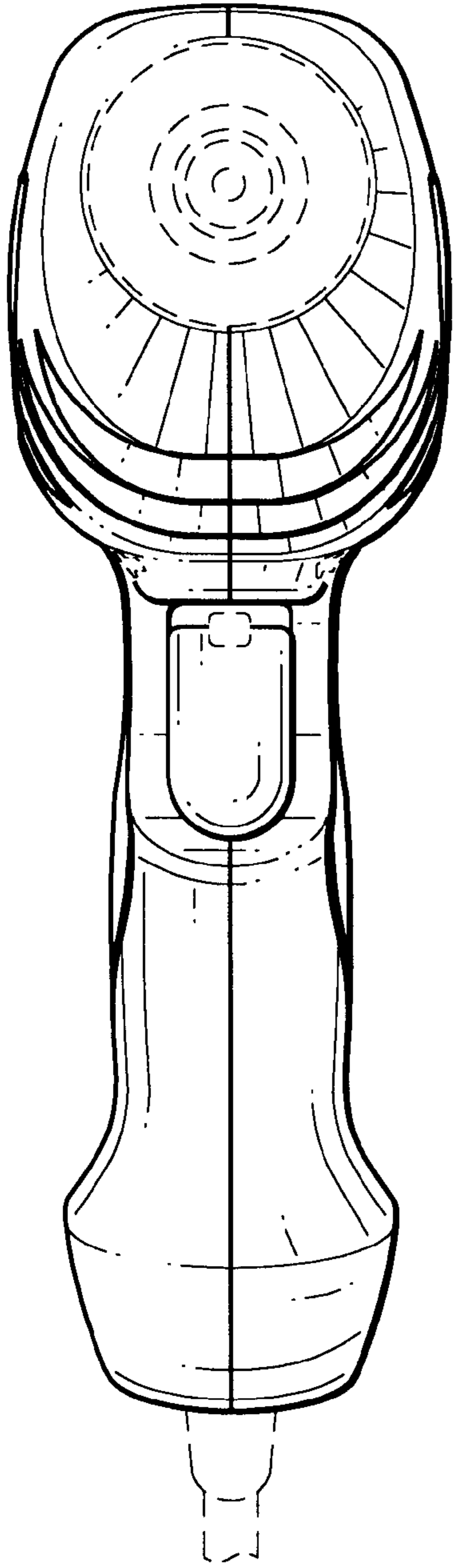


FIG. 4

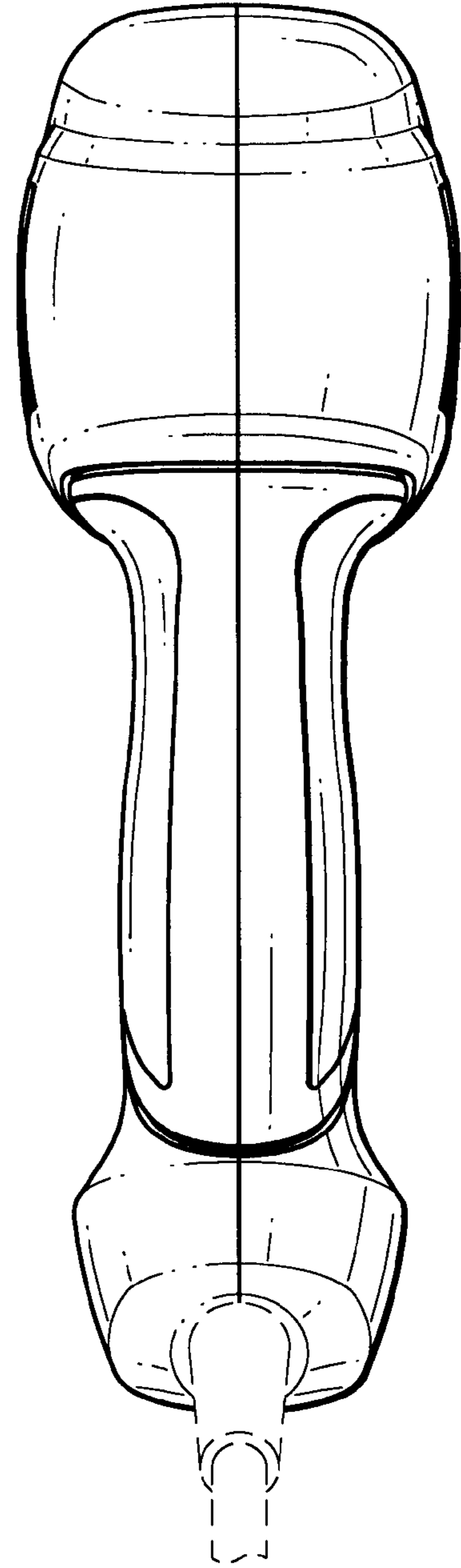


FIG. 5

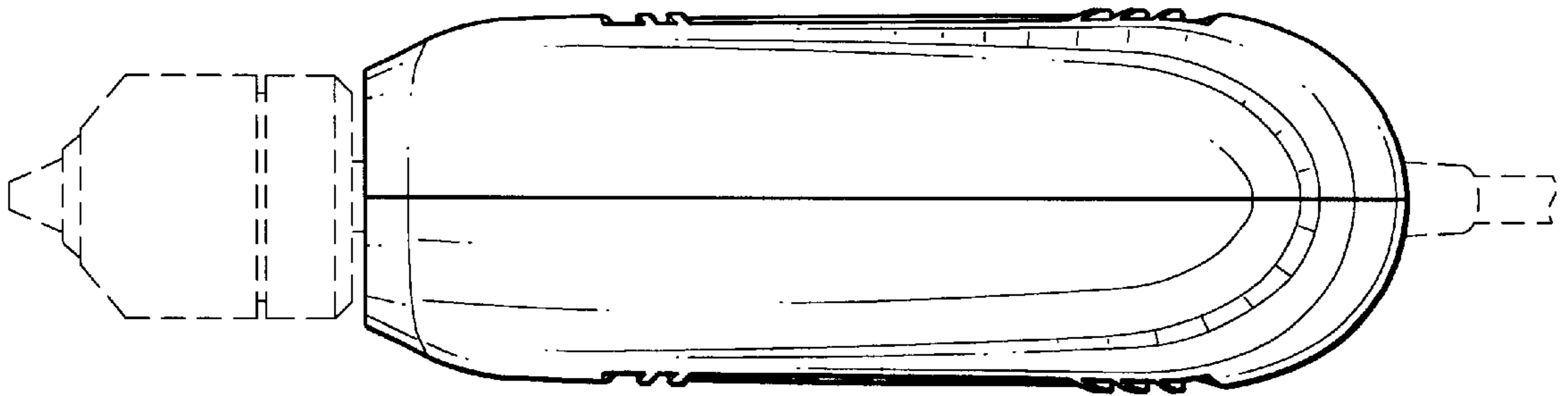


FIG. 6

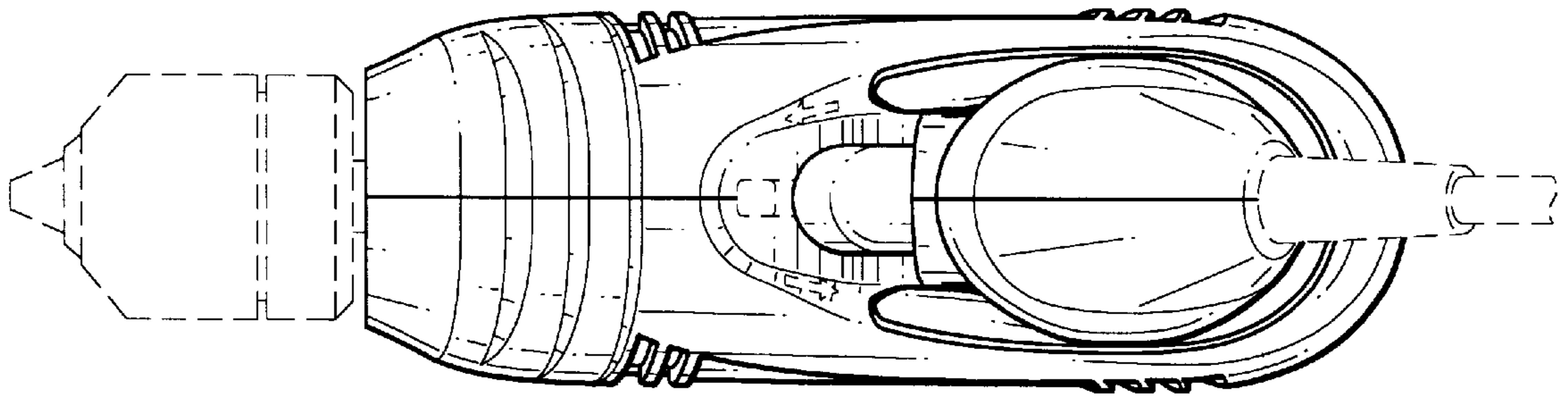


FIG. 7