



US00D474952S

(12) **United States Design Patent**
Andriolo

(10) **Patent No.:** **US D474,952 S**

(45) **Date of Patent:** **** May 27, 2003**

- (54) **CIRCULAR SAW POWER TOOL**
- (75) Inventor: **Paolo Andriolo, Vicenza (IT)**
- (73) Assignee: **Positec Power Tools (Europe) Ltd. (GB)**
- (**) Term: **14 Years**
- (21) Appl. No.: **29/157,272**
- (22) Filed: **Mar. 15, 2002**
- (30) **Foreign Application Priority Data**
 Sep. 15, 2001 (GB) 2104781
- (51) **LOC (7) Cl.** **08-03**
- (52) **U.S. Cl.** **D8/66**
- (58) **Field of Search** D8/64, 66, 67,
 D8/69, 70; 30/375, 376, 377, 388, 389,
 390, 391; 83/666, 863; 144/218
- (56) **References Cited**

U.S. PATENT DOCUMENTS

- D326,399 S * 5/1992 Fushiya et al. D8/66
- 5,121,545 A * 6/1992 Nonaka et al. 30/375
- D348,193 S * 6/1994 Sasaki et al. D8/66

- D370,162 S * 5/1996 Brazell et al. D8/66
- D428,319 S * 7/2000 Gallagher D8/66
- D453,099 S * 1/2002 Welsh D8/66
- D460,672 S * 7/2002 Pretzell D8/66

* cited by examiner

Primary Examiner—Stacia Cadmus
Assistant Examiner—Elizabeth A. Albert
(74) *Attorney, Agent, or Firm*—Young & Basile, P.C.

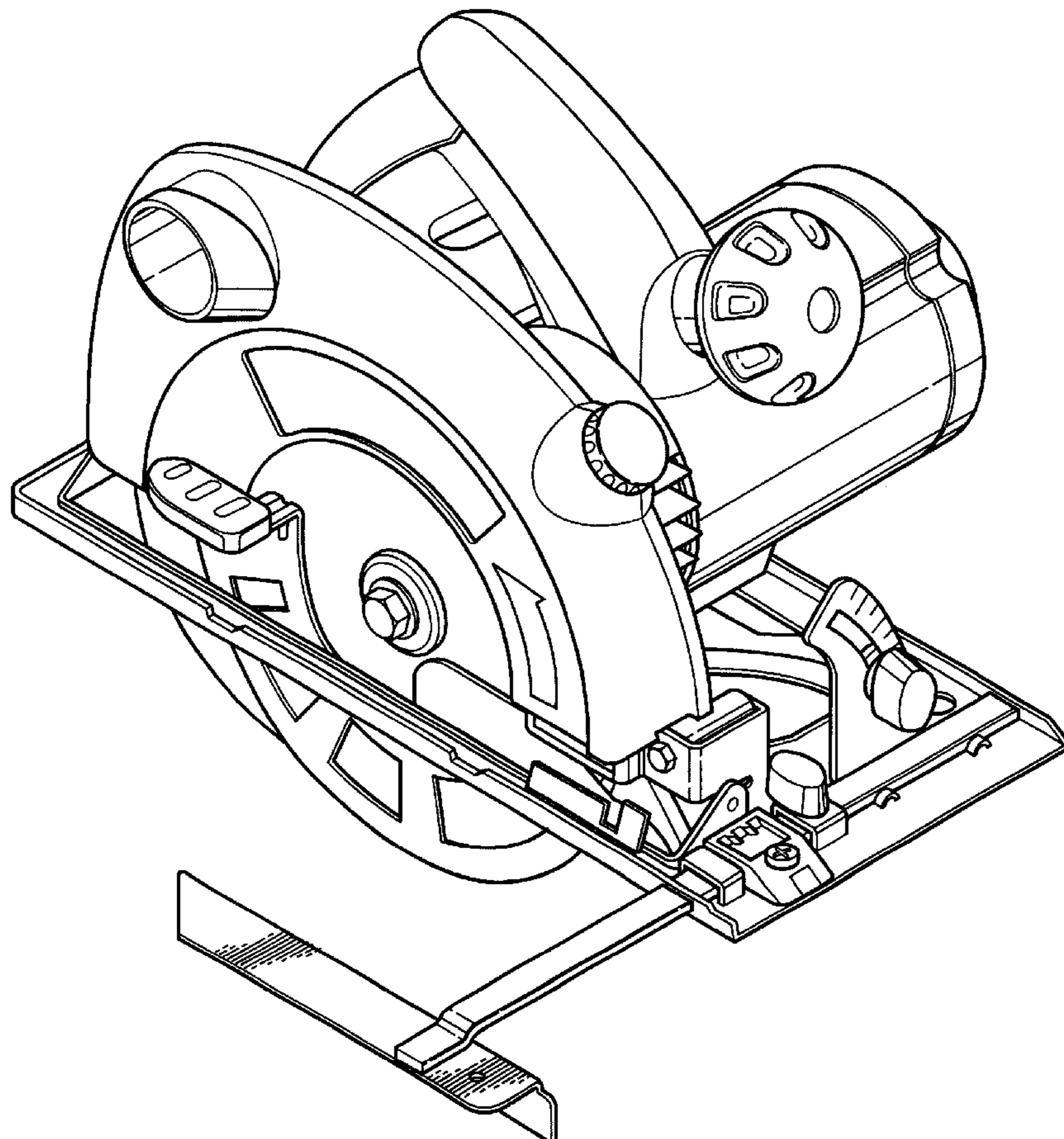
(57) **CLAIM**

The ornamental design for a circular saw power tool, as shown and described.

DESCRIPTION

FIG. 1 is a perspective view showing my new design of a circular saw power tool;
FIG. 2 is a front elevational view of the circular saw power tool in FIG. 1;
FIG. 3 is a rear elevational view thereof;
FIG. 4 is a right-side elevational view thereof;
FIG. 5 is a left-side elevational view thereof;
FIG. 6 is a top elevational view thereof; and,
FIG. 7 is a bottom elevational view thereof.

1 Claim, 7 Drawing Sheets



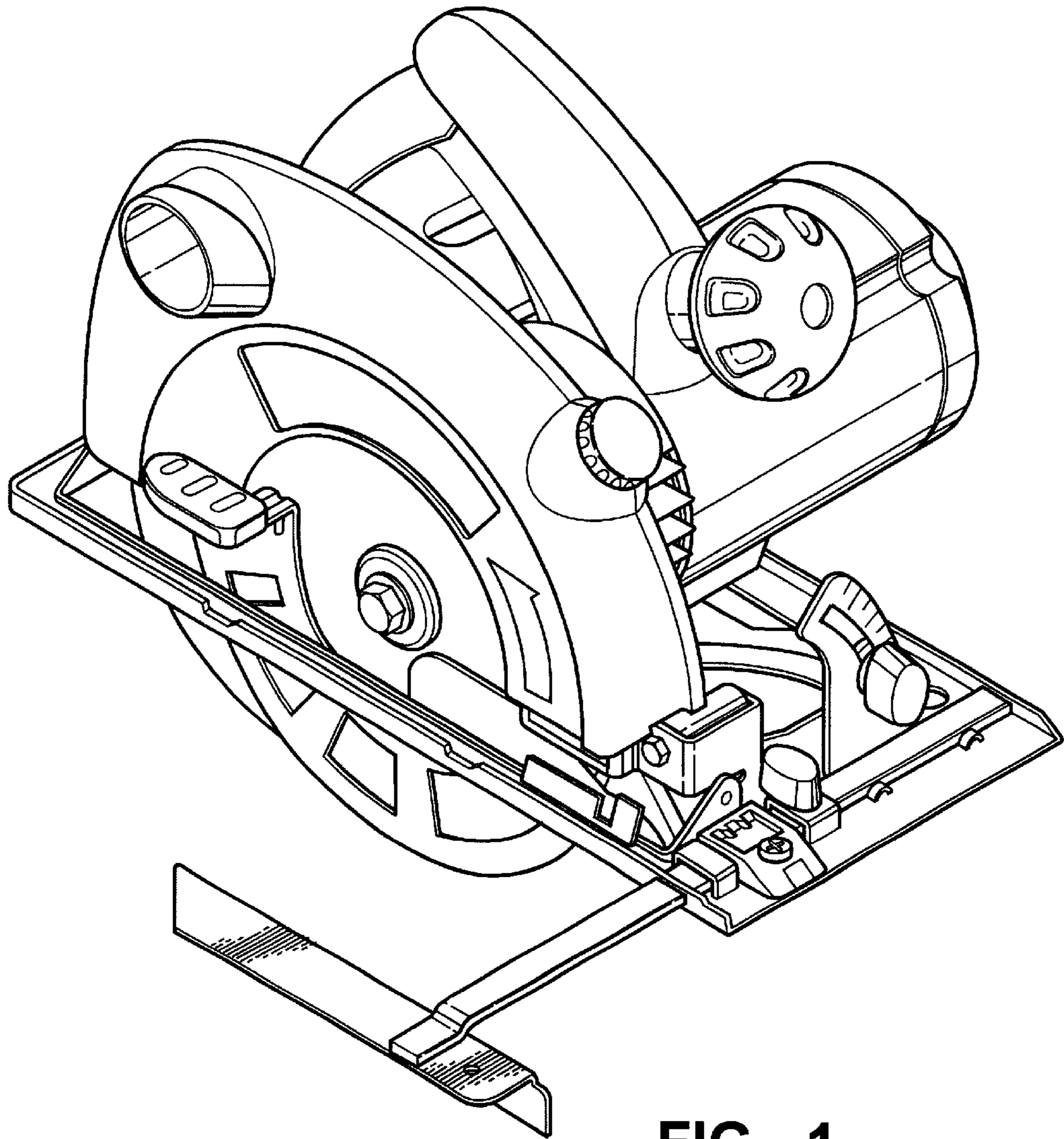


FIG - 1

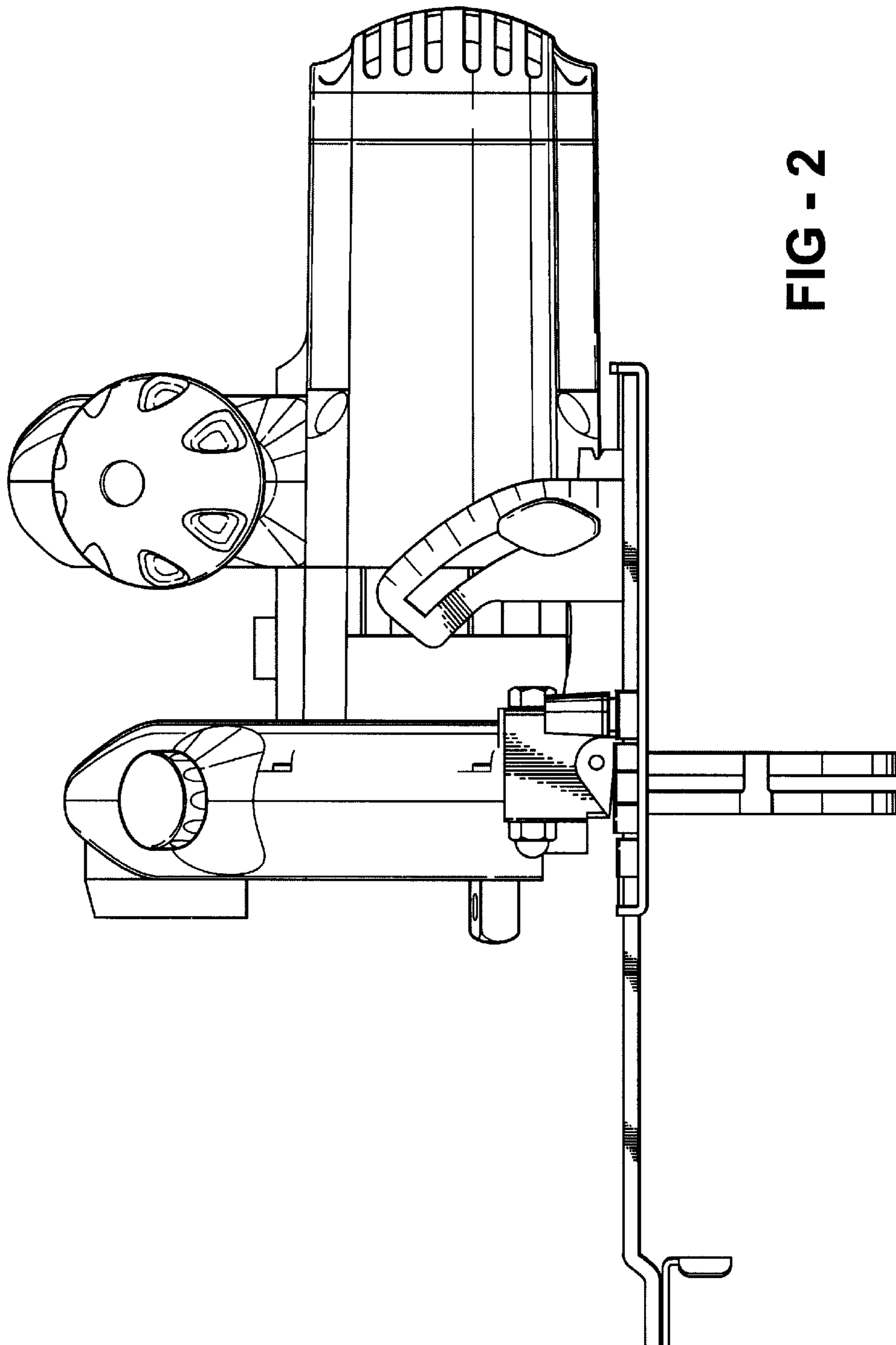


FIG - 2

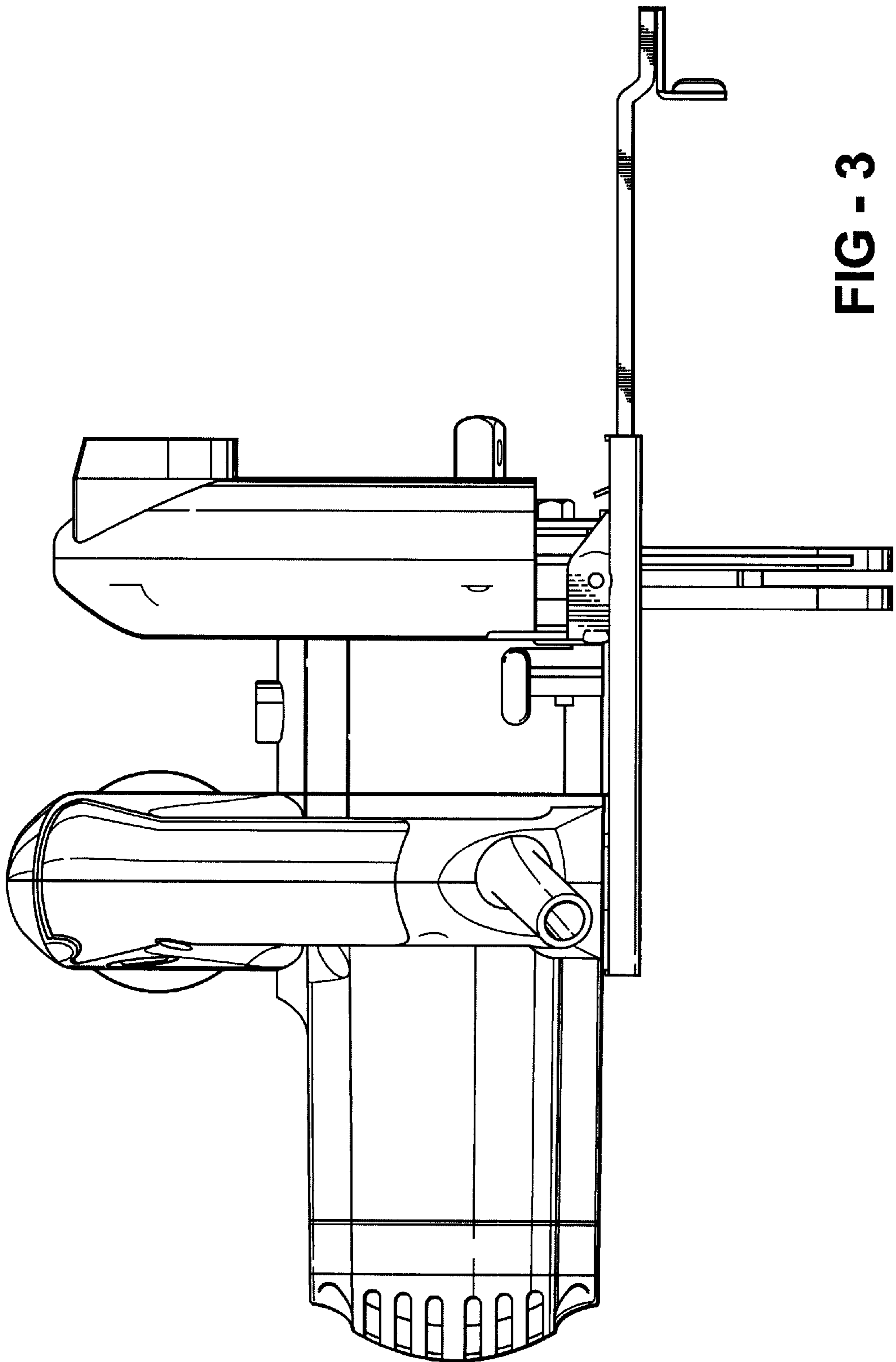


FIG - 3

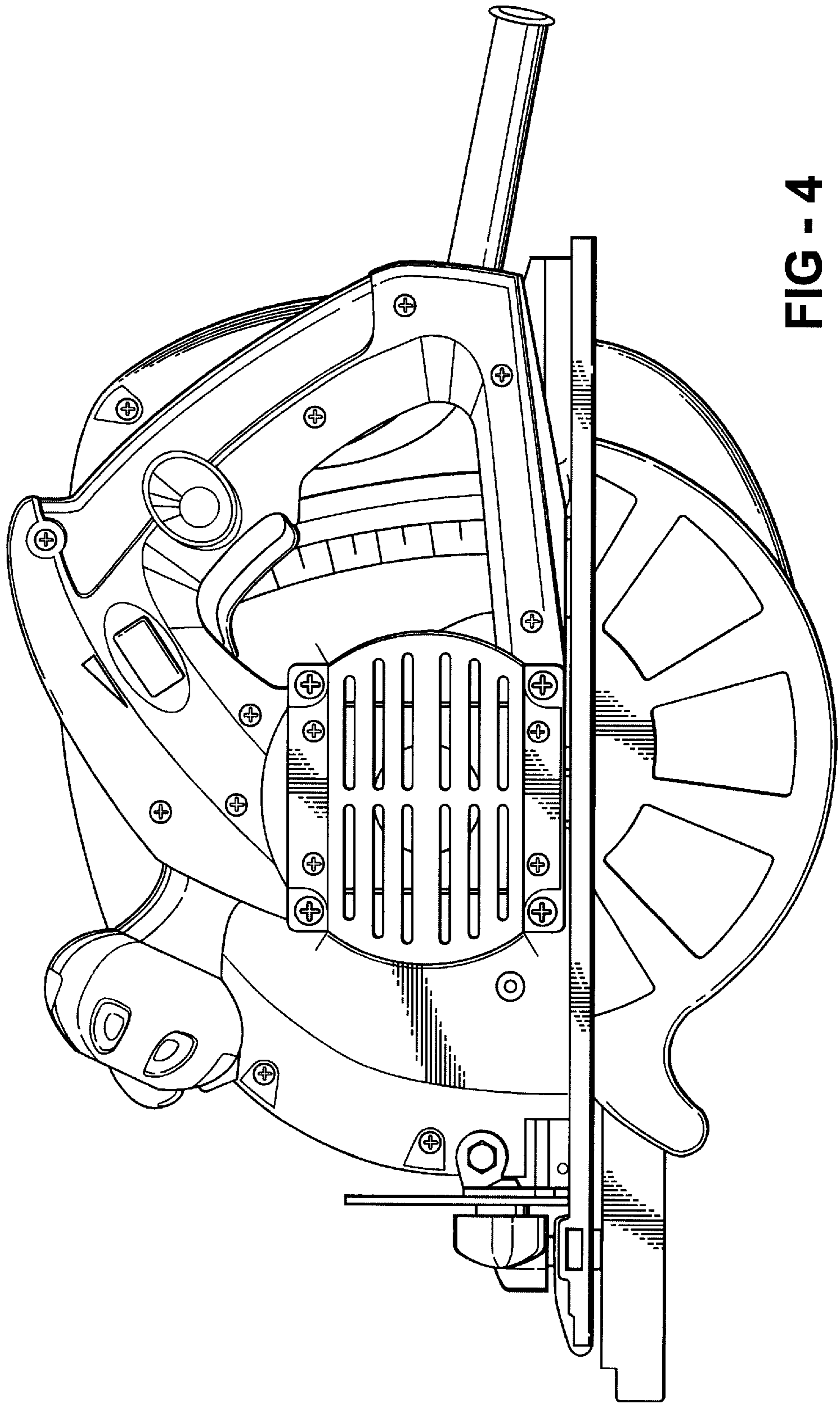


FIG - 4

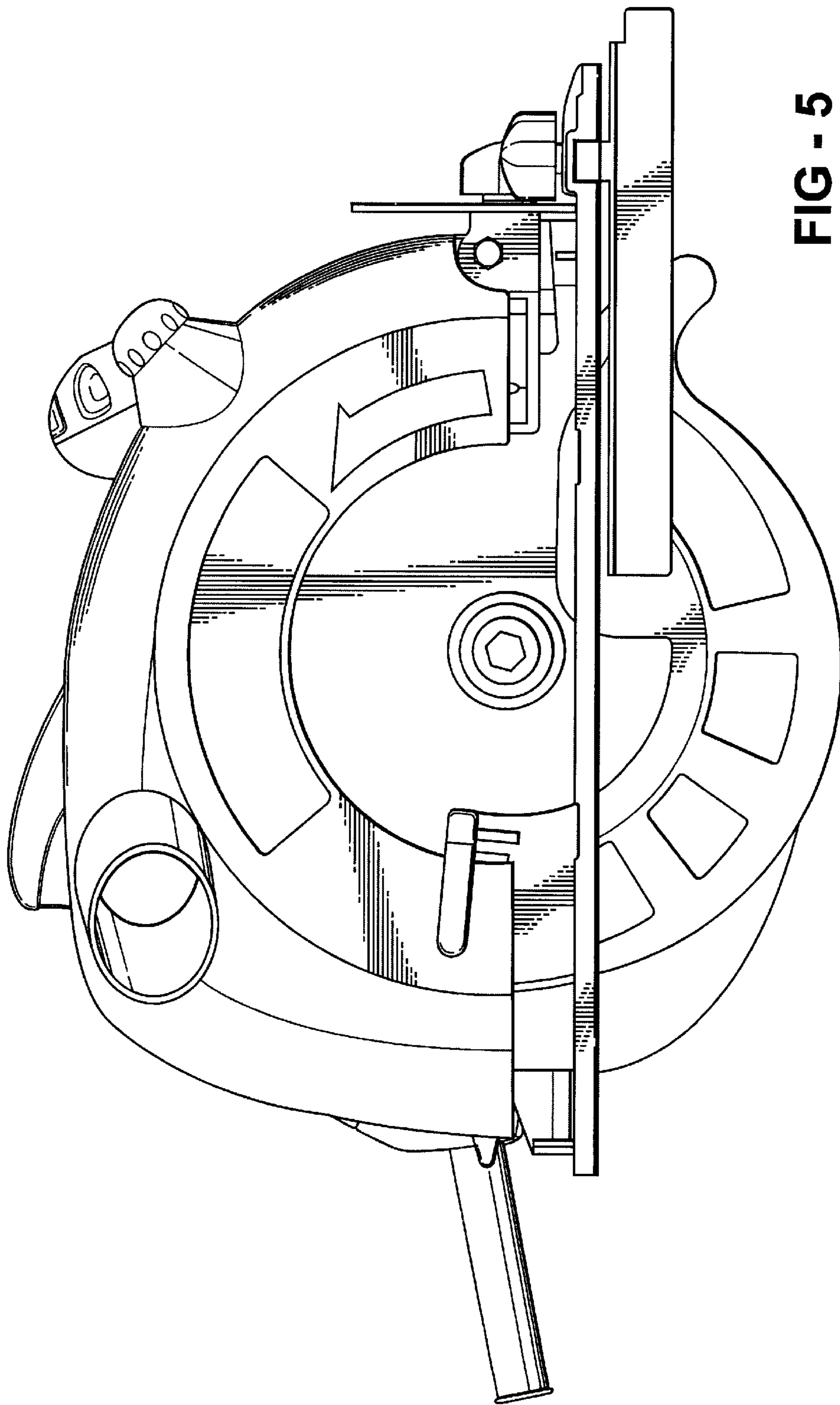


FIG - 5

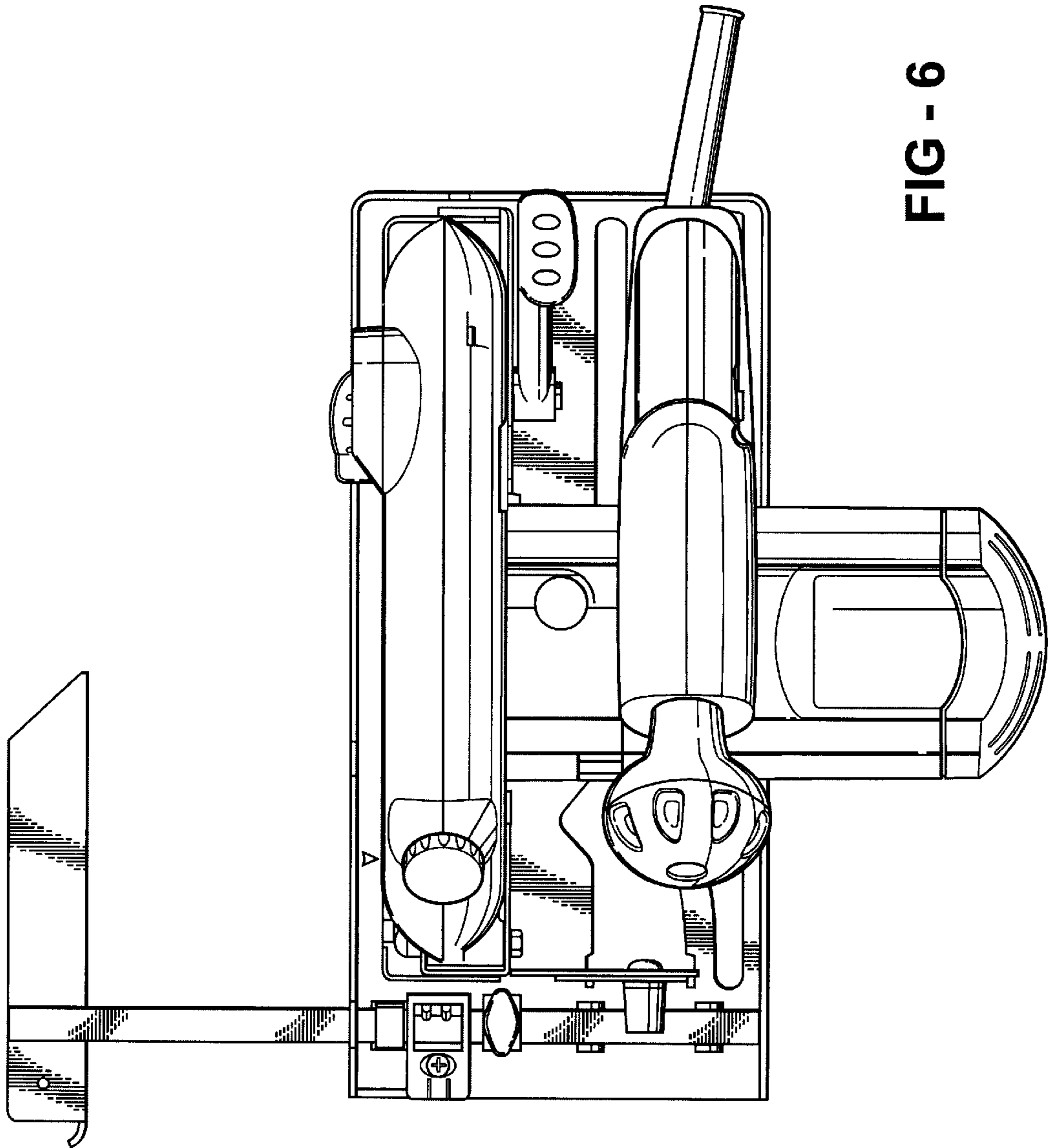


FIG - 6

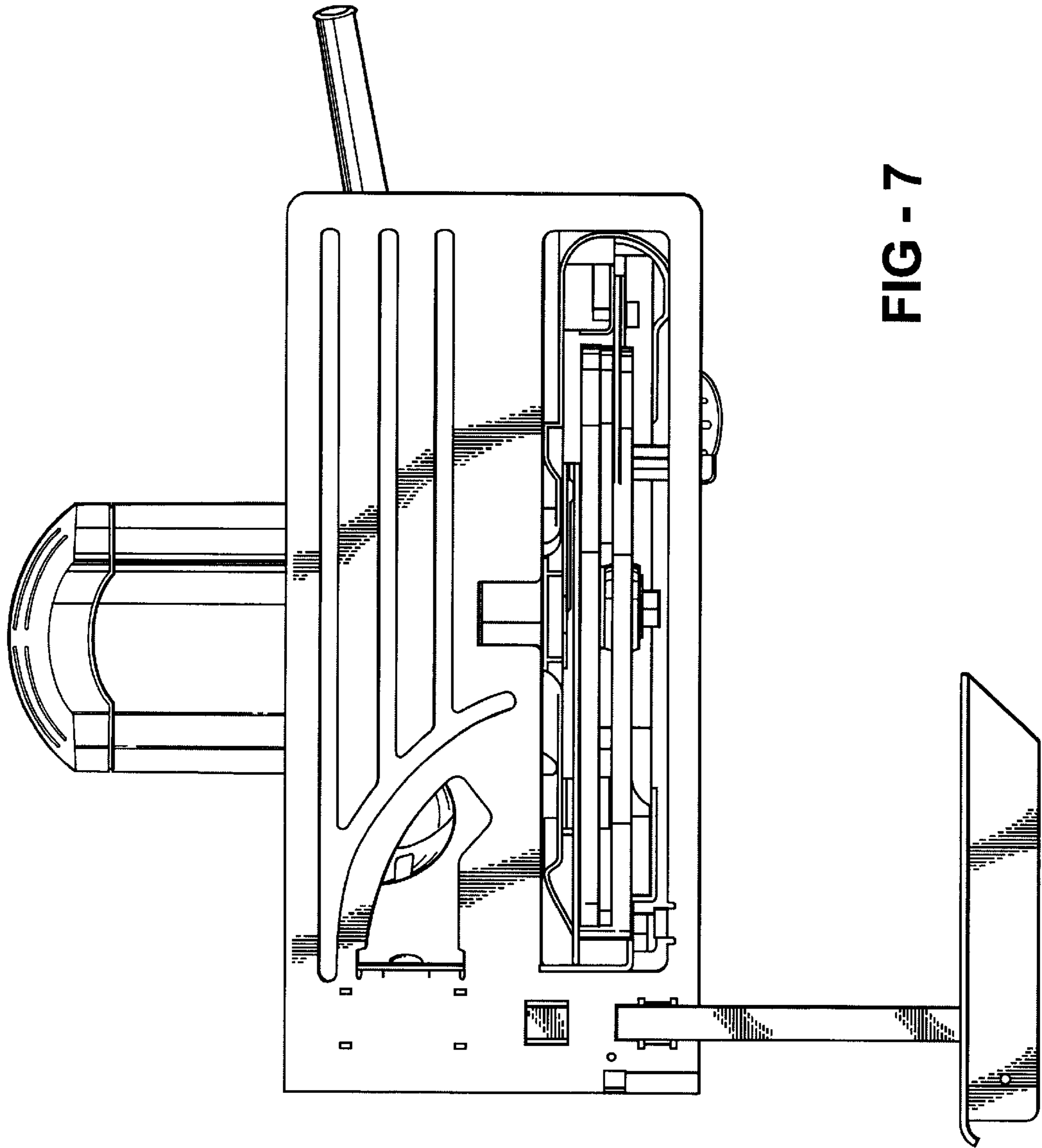


FIG - 7