



US00D474949S

(12) **United States Design Patent**
Schaffeld et al.

(10) **Patent No.:** **US D474,949 S**

(45) **Date of Patent:** **** May 27, 2003**

(54) **HAND HELD GLUE GUN**

(75) Inventors: **John H. Schaffeld**, Lexington, MA
(US); **James L. Pettingill**, Billerica,
MA (US)

(73) Assignee: **Adhesive Technologies, Inc.**, Hampton,
NH (US)

(**) Term: **14 Years**

(21) Appl. No.: **29/160,877**

(22) Filed: **May 20, 2002**

(51) **LOC (7) Cl.** **08-05**

(52) **U.S. Cl.** **D8/14.1**

(58) **Field of Search** D8/14.1, 29.1,
D8/29.2, 30, 61, 68; D23/223, 226; 219/221,
227, 229, 259, 242; 222/326, 325, 323,
309, 386, 391, 146.5

(56) **References Cited**

U.S. PATENT DOCUMENTS

D226,750 S * 4/1973 Grossman D8/30

4,776,490 A * 10/1988 Wingert 222/146.5
D303,612 S * 9/1989 Knispel D8/14.1
D402,518 S * 12/1998 Lee D8/30
D412,432 S * 8/1999 Bokros D8/30

* cited by examiner

Primary Examiner—Pamela Burgess

(74) *Attorney, Agent, or Firm*—Clark & Brody

(57) **CLAIM**

The ornamental design for a hand held glue gun, as shown and described.

DESCRIPTION

FIG. 1 is a left side elevation view of a hand held glue gun showing our new design;

FIG. 2 is a rear elevation view thereof.

FIG. 3 is a right side elevation view thereof.

FIG. 4 is a front elevation view thereof.

FIG. 5 is a top plan view thereof; and,

FIG. 6 is a bottom plan view thereof.

The broken lines in all figures are for illustrative purposes only and form no part of the claimed design.

1 Claim, 3 Drawing Sheets

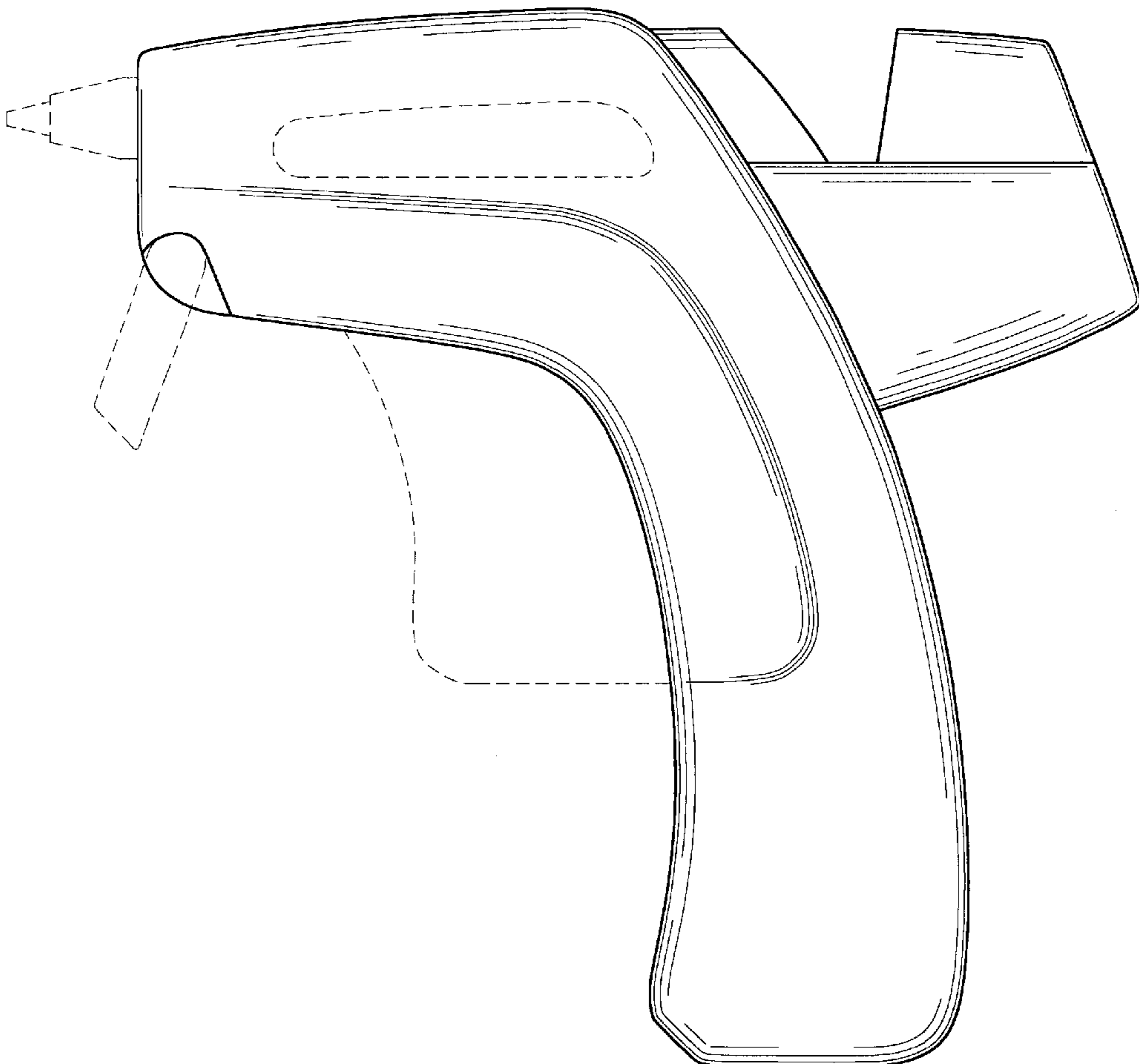


FIG. 2

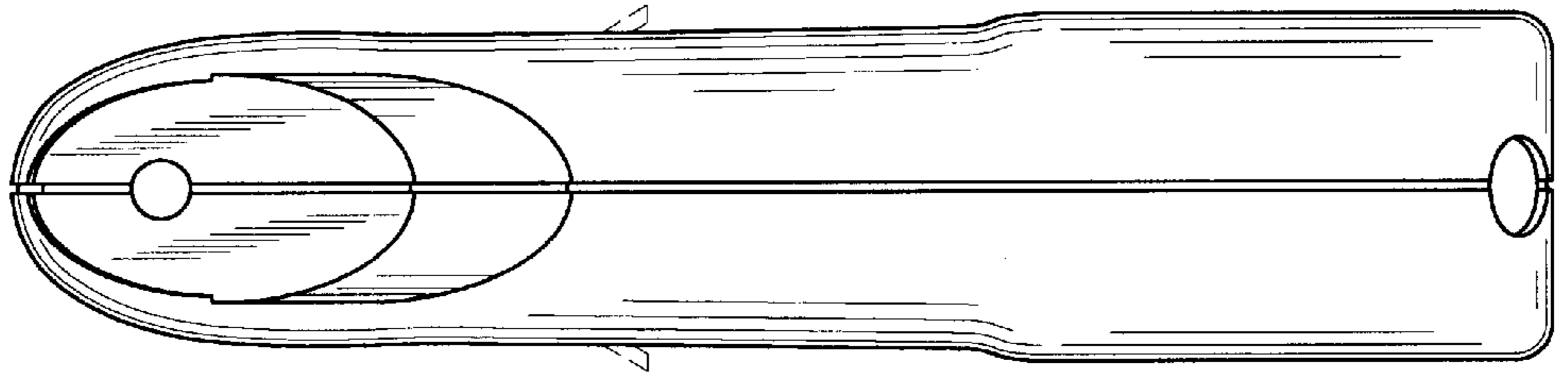


FIG. 1

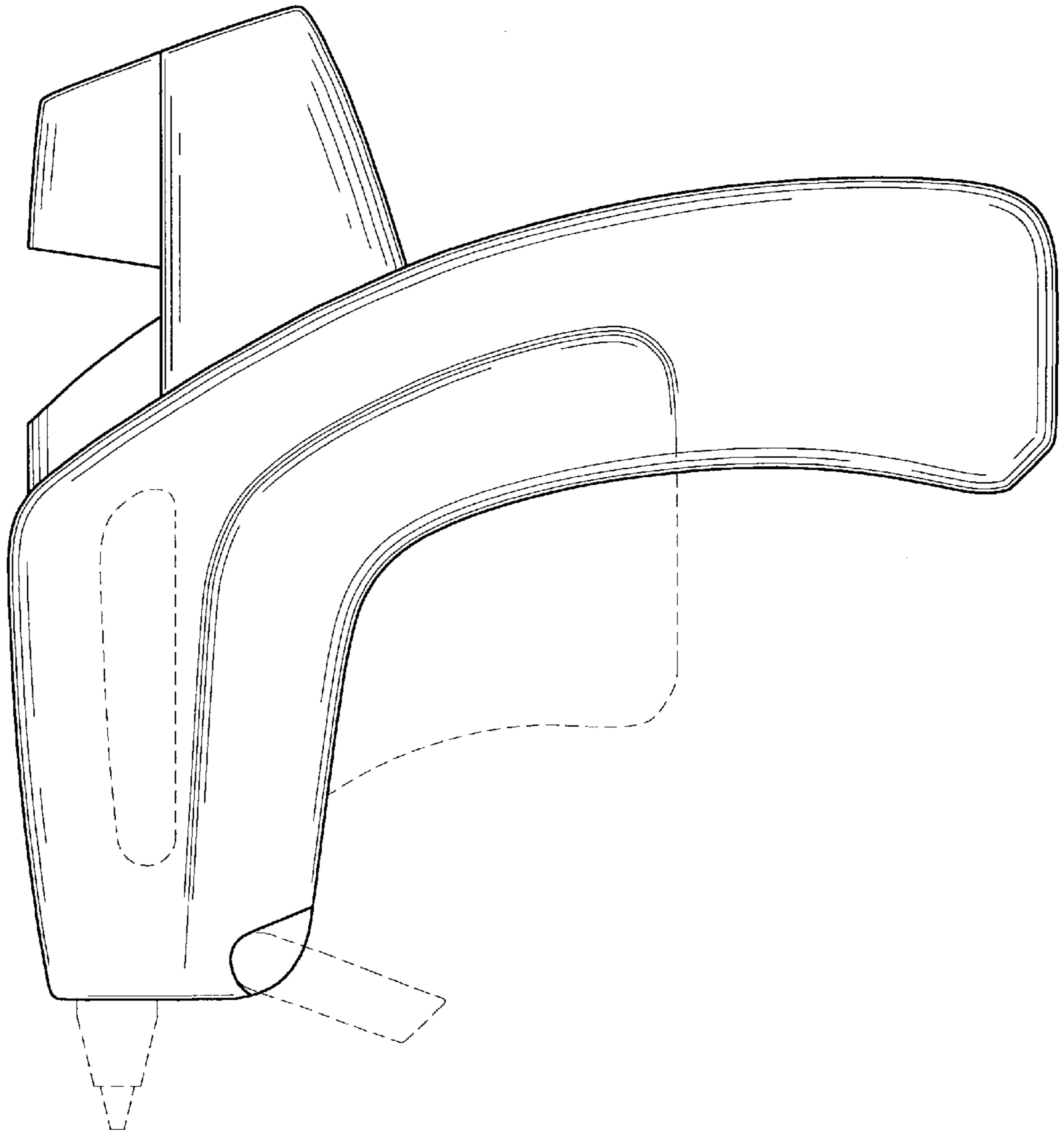


FIG. 4

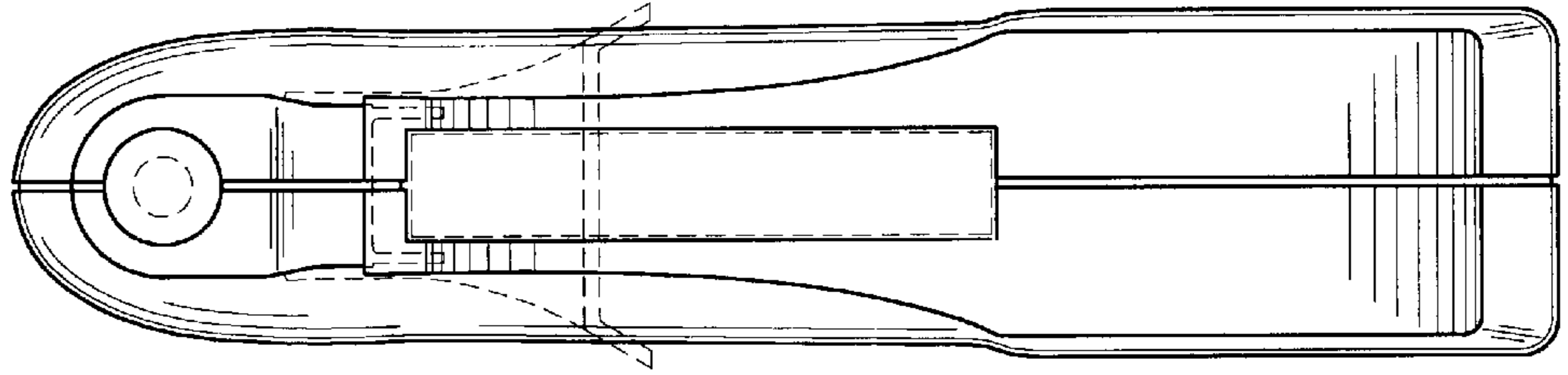


FIG. 3

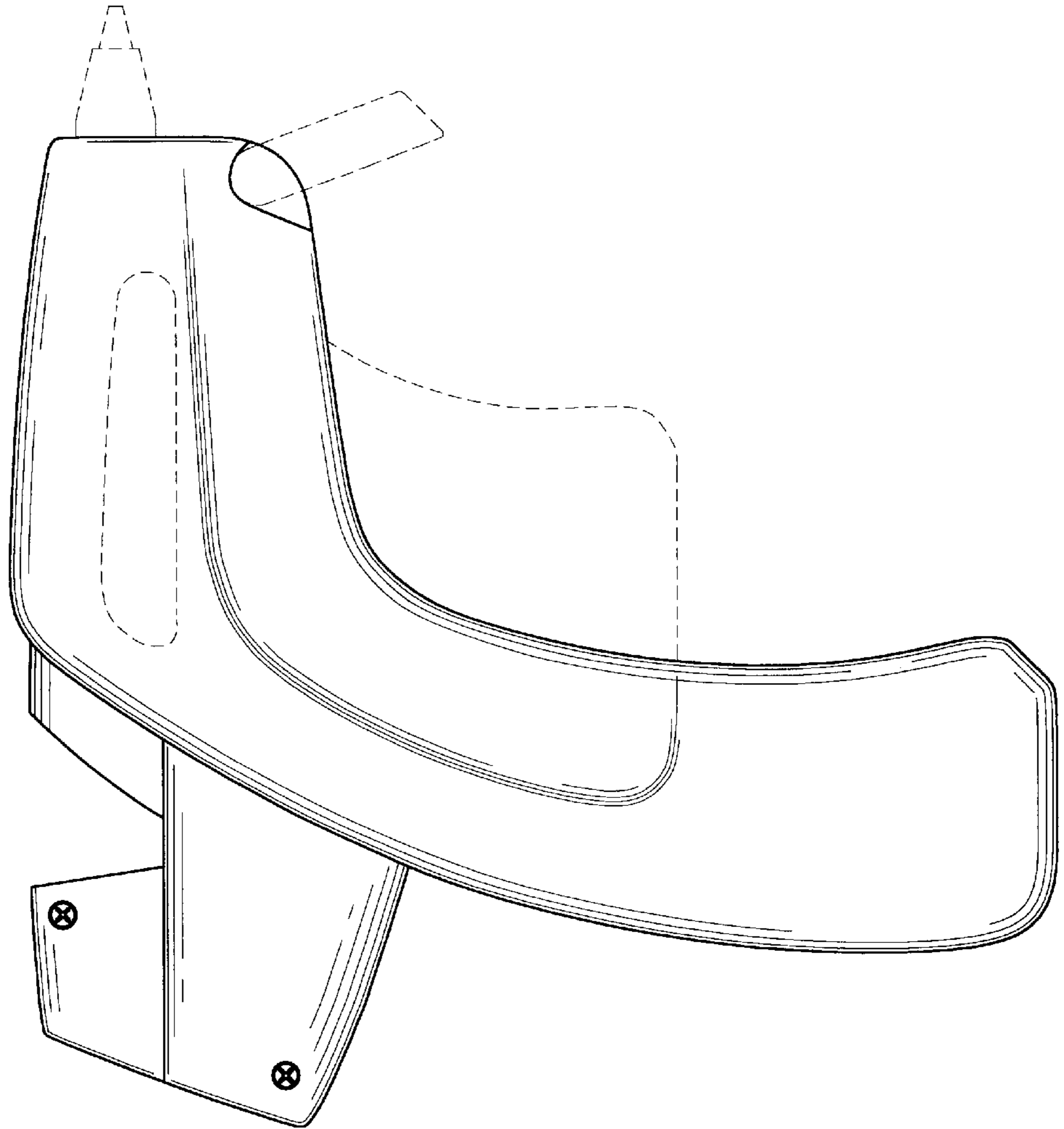


FIG. 5

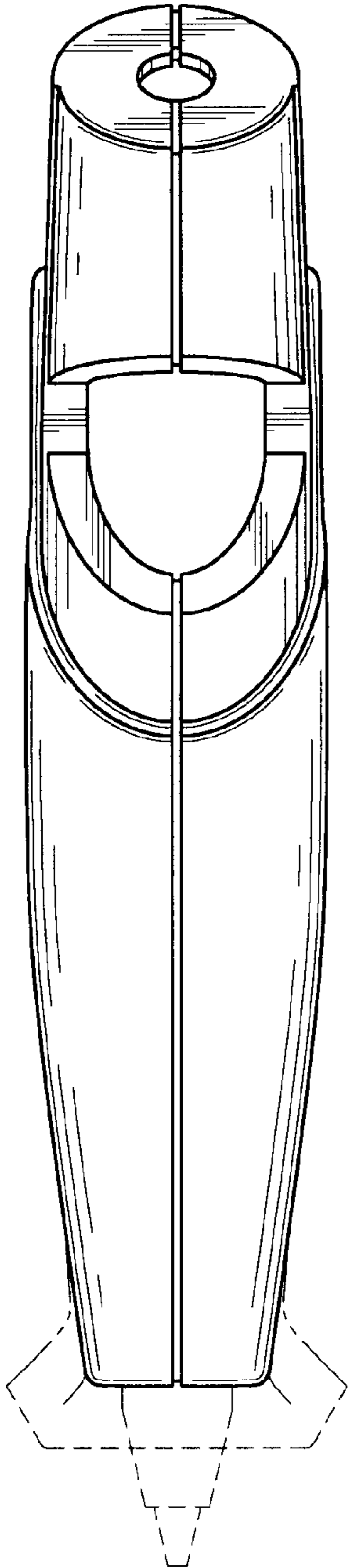


FIG. 6

