



US00D474948S

(12) **United States Design Patent**
Crites

(10) **Patent No.:** **US D474,948 S**

(45) **Date of Patent:** **** May 27, 2003**

(54) **PICK-UP RAKE**

6,336,314 B1 * 1/2002 Crevier 56/400.12

(76) Inventor: **Clark F. Crites**, 2622 Rinconia, Los Angeles, CA (US) 90068-2226

* cited by examiner

(**) Term: **14 Years**

Primary Examiner—Pamela Burgess

(74) *Attorney, Agent, or Firm*—Eric Karich

(21) Appl. No.: **29/168,342**

(57) **CLAIM**

(22) Filed: **Sep. 27, 2002**

The ornamental design for a “pick-up rake”, as shown and described.

(51) **LOC (7) Cl.** **08-01**

DESCRIPTION

(52) **U.S. Cl.** **D8/13; 56/400.12**

FIG. 1 is a perspective view of a pick-up rake, showing my new design;

(58) **Field of Search** **D8/13; 56/400.01,**

56/400.2, 400.04–400.21; 294/50.8

FIG. 2 is a front elevational view thereof;

FIG. 3 is a rear elevational view thereof;

FIG. 4 is a left side elevational view thereof;

FIG. 5 is a right side elevation view thereof;

FIG. 6 is a top plan view thereof; and,

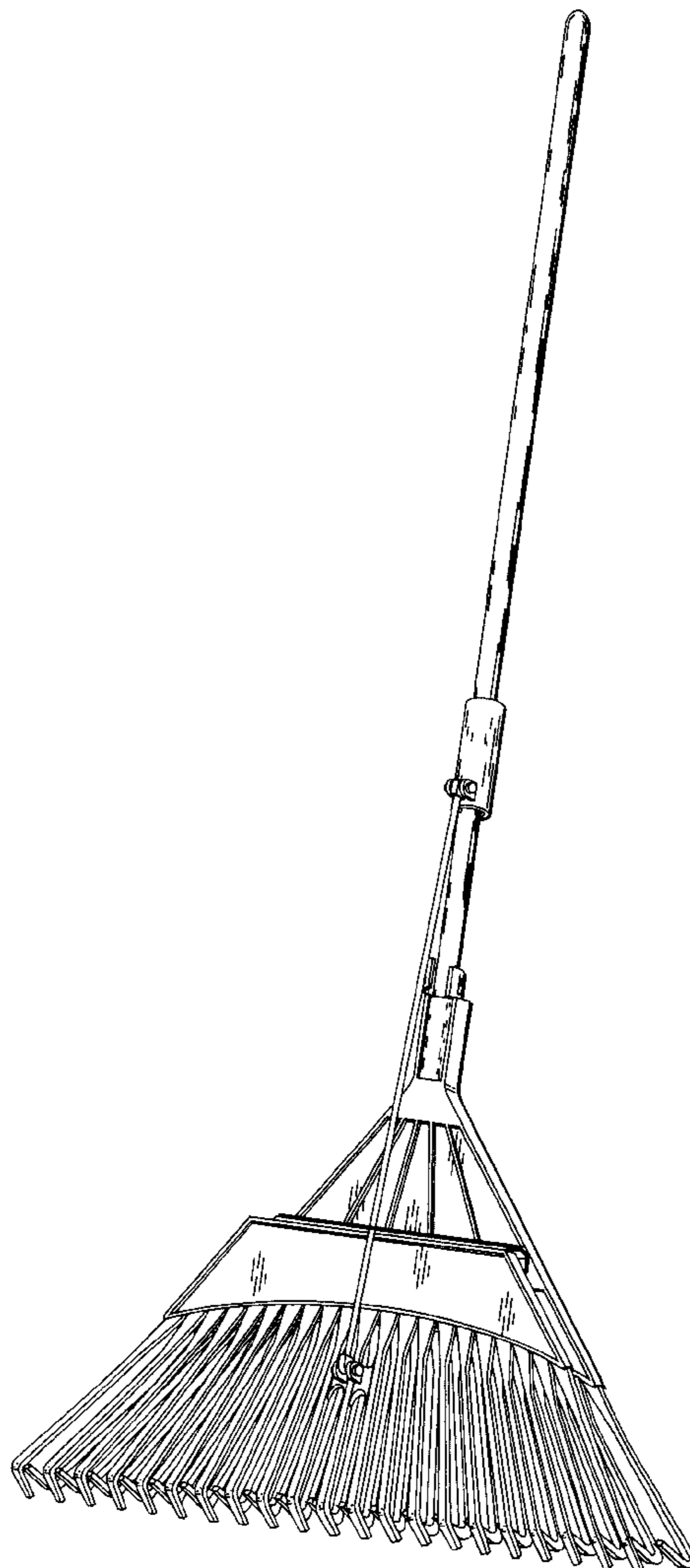
FIG. 7 is a bottom plan view thereof.

(56) **References Cited**

U.S. PATENT DOCUMENTS

4,018,038	A	*	4/1977	Sipe	56/400.12
4,037,397	A	*	7/1977	Fiorentino	56/400.12
4,292,794	A	*	10/1981	Gascon	56/400.16
5,303,536	A	*	4/1994	Tolliver	56/400.12
6,272,827	B1	*	8/2001	Hsu	56/400.12

1 Claim, 5 Drawing Sheets



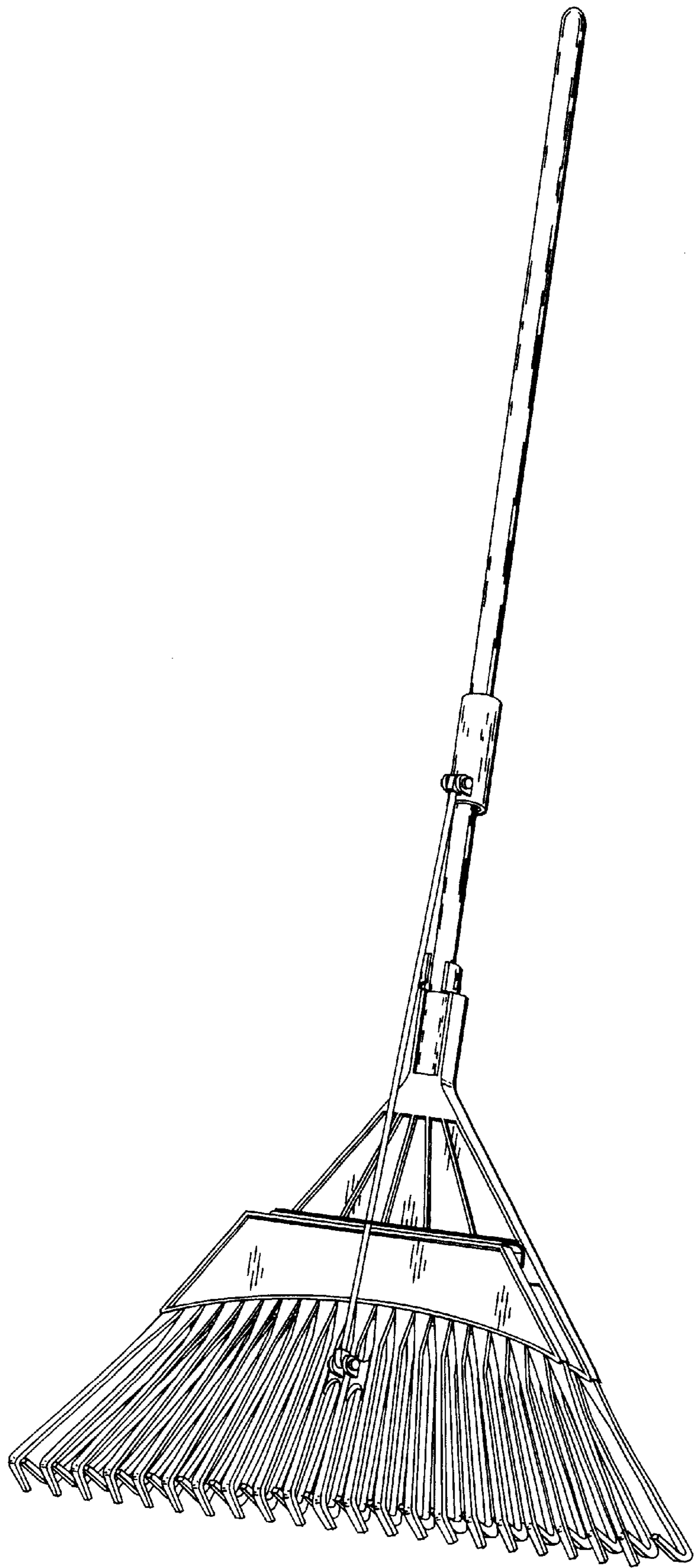


Fig. 1

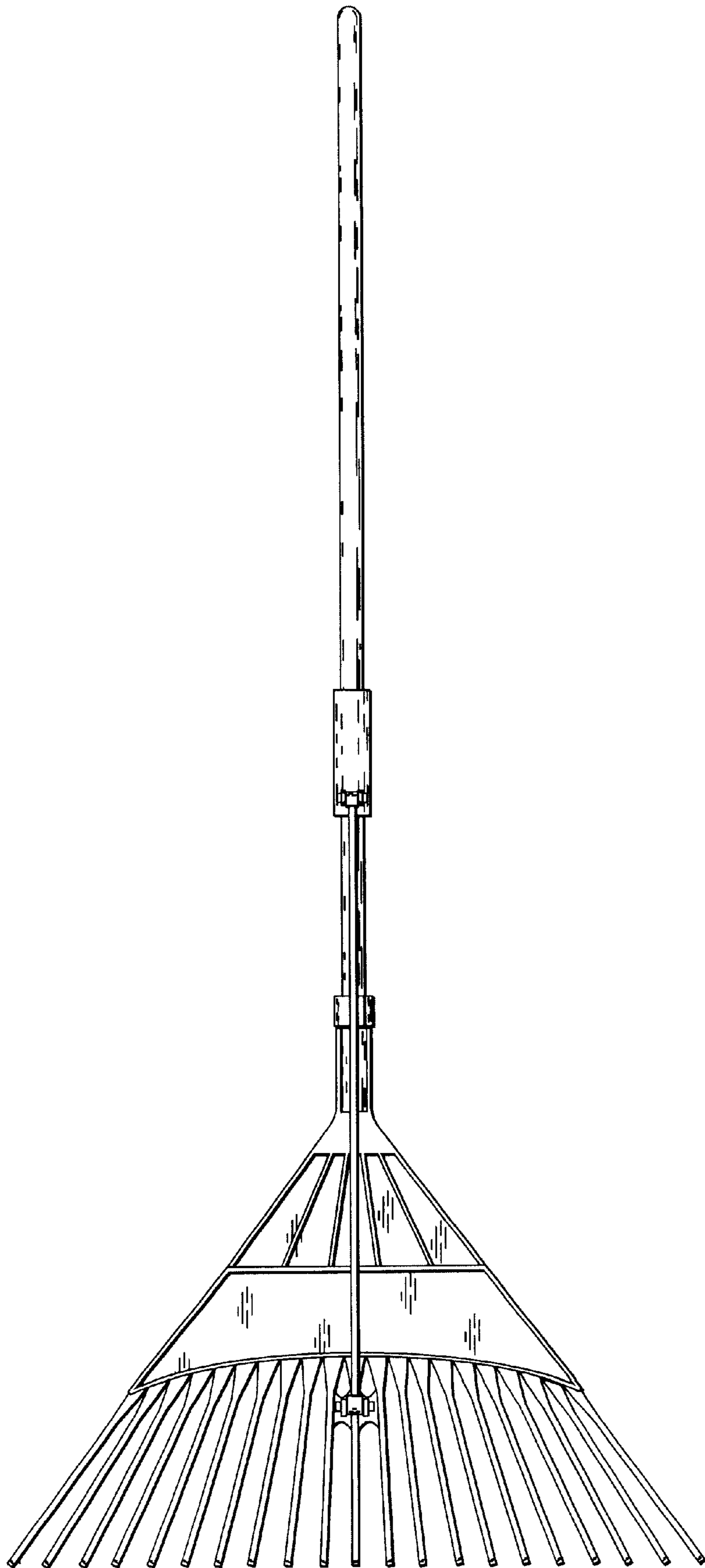


Fig. 2

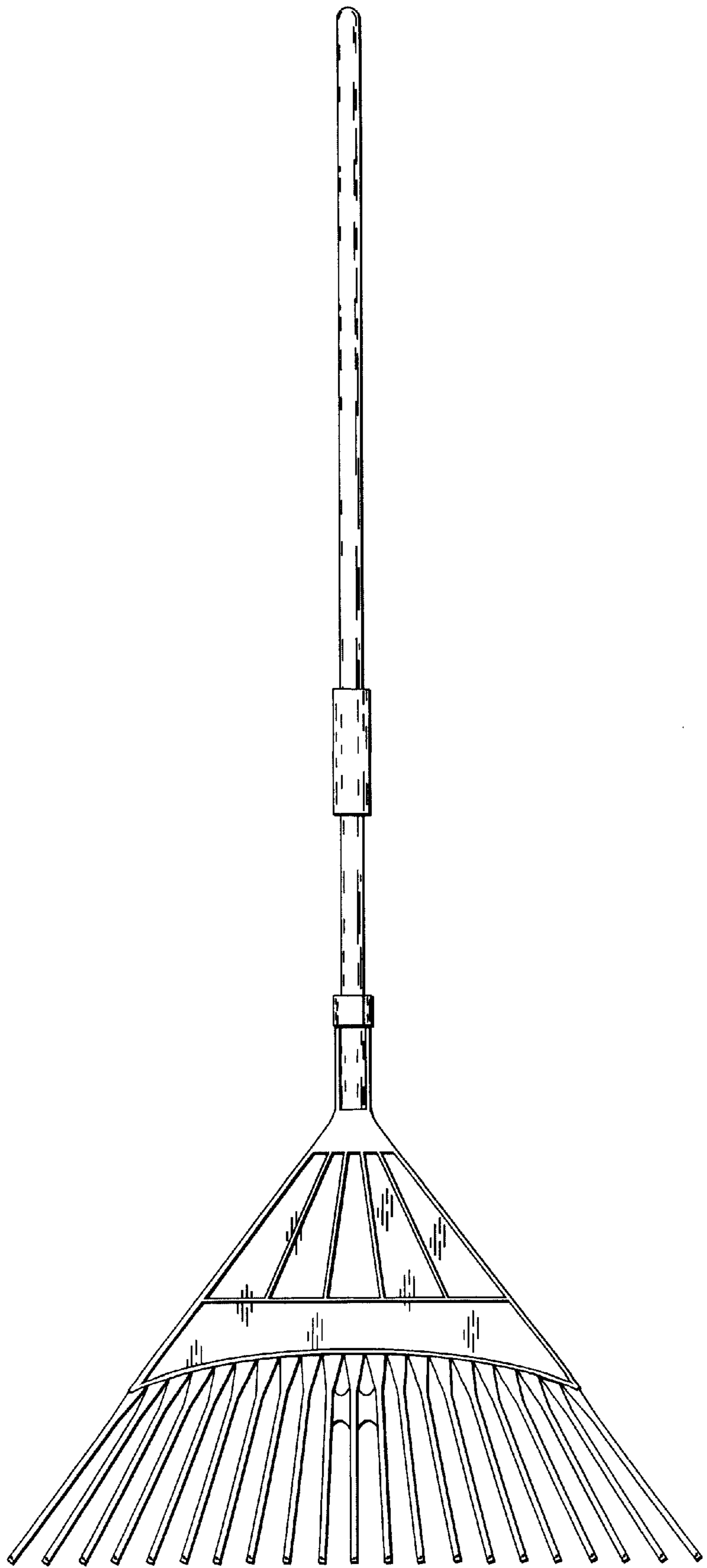


Fig. 3

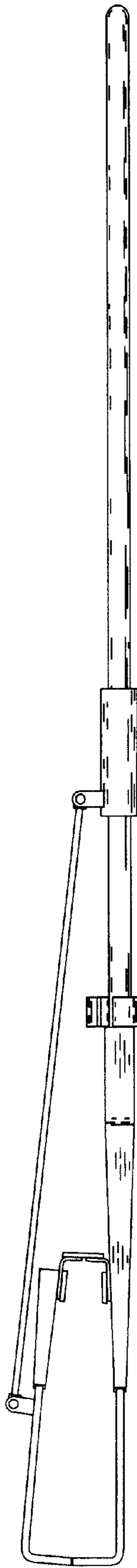


Fig. 4

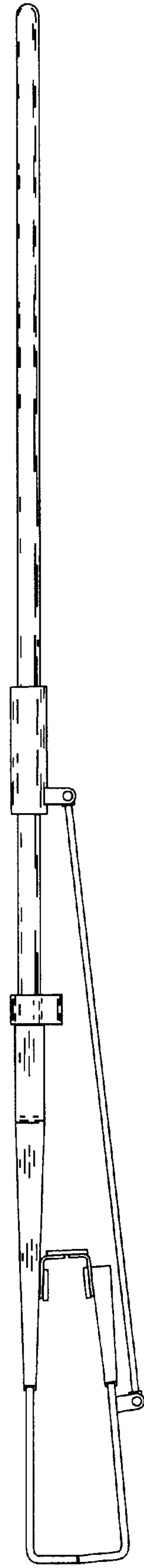


Fig. 5

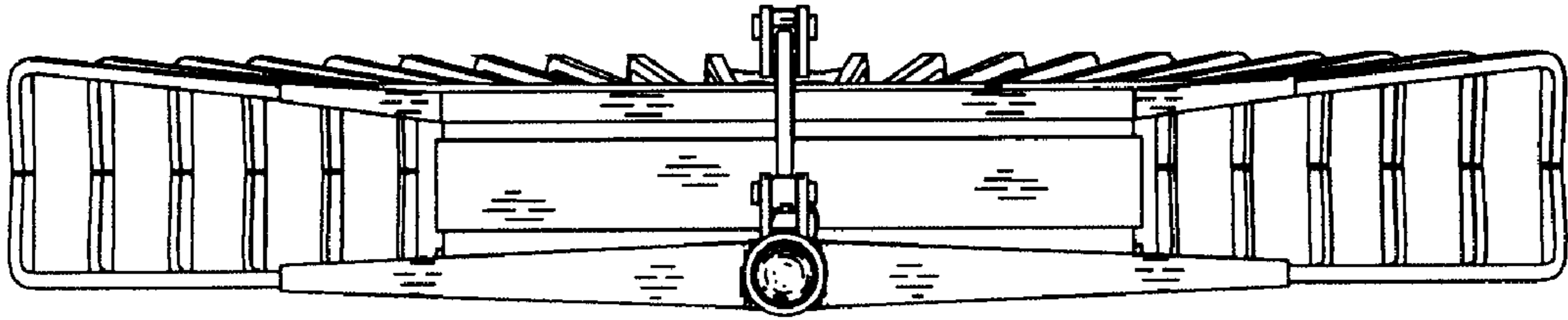


Fig. 6

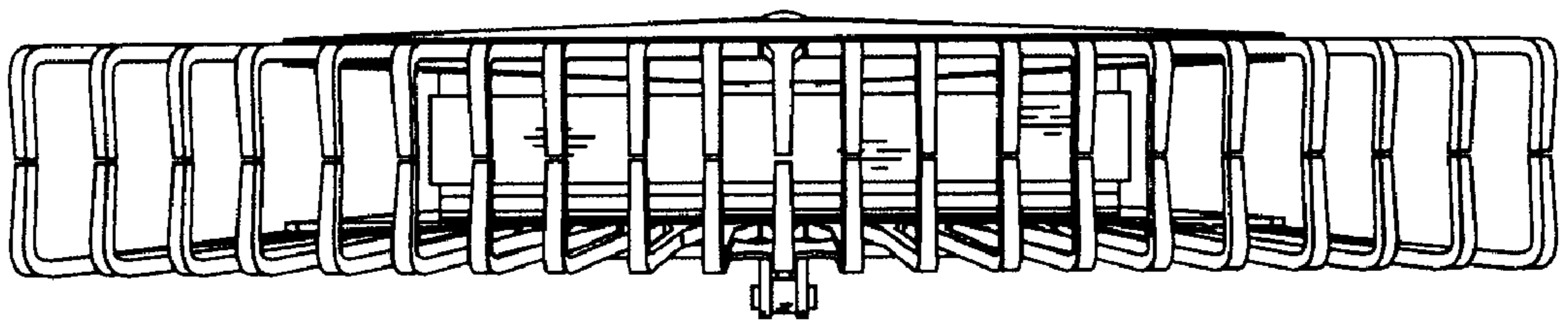


Fig. 7