



US00D474947S

(12) **United States Design Patent**
Holmdahl et al.

(10) **Patent No.:** **US D474,947 S**

(45) **Date of Patent:** **** May 27, 2003**

(54) **TRIMMER AND STARTING DEVICE**

(75) Inventors: **Mikael Holmdahl**, Jönköping (SE);
Claes Losdahl, Huskvarna (SE);
Marcus Kragner, Huskvarna (SE);
Stina Nilimaa-Wickström, Nacka (SE)

(73) Assignee: **Aktiebolaget Electrolux**, Stockholm (SE)

(**) Term: **14 Years**

(21) Appl. No.: **29/163,503**

(22) Filed: **Jul. 3, 2002**

(51) **LOC (7) Cl.** **08-01**

(52) **U.S. Cl.** **D8/8**

(58) **Field of Search** D8/8, 9; 30/276,
30/DIG. 5, 228; 172/13, 14; 56/12.7

(56) **References Cited**

U.S. PATENT DOCUMENTS

D303,671 S * 9/1989 Kiyooka et al. D8/8

D347,772 S * 6/1994 Kiyooka et al. D8/8

D356,013 S * 3/1995 Kiyooka et al. D8/8

D360,341 S * 7/1995 Hirooka et al. D8/8

* cited by examiner

Primary Examiner—Robin V. Taylor

(74) *Attorney, Agent, or Firm*—Pearne & Gordon LLP

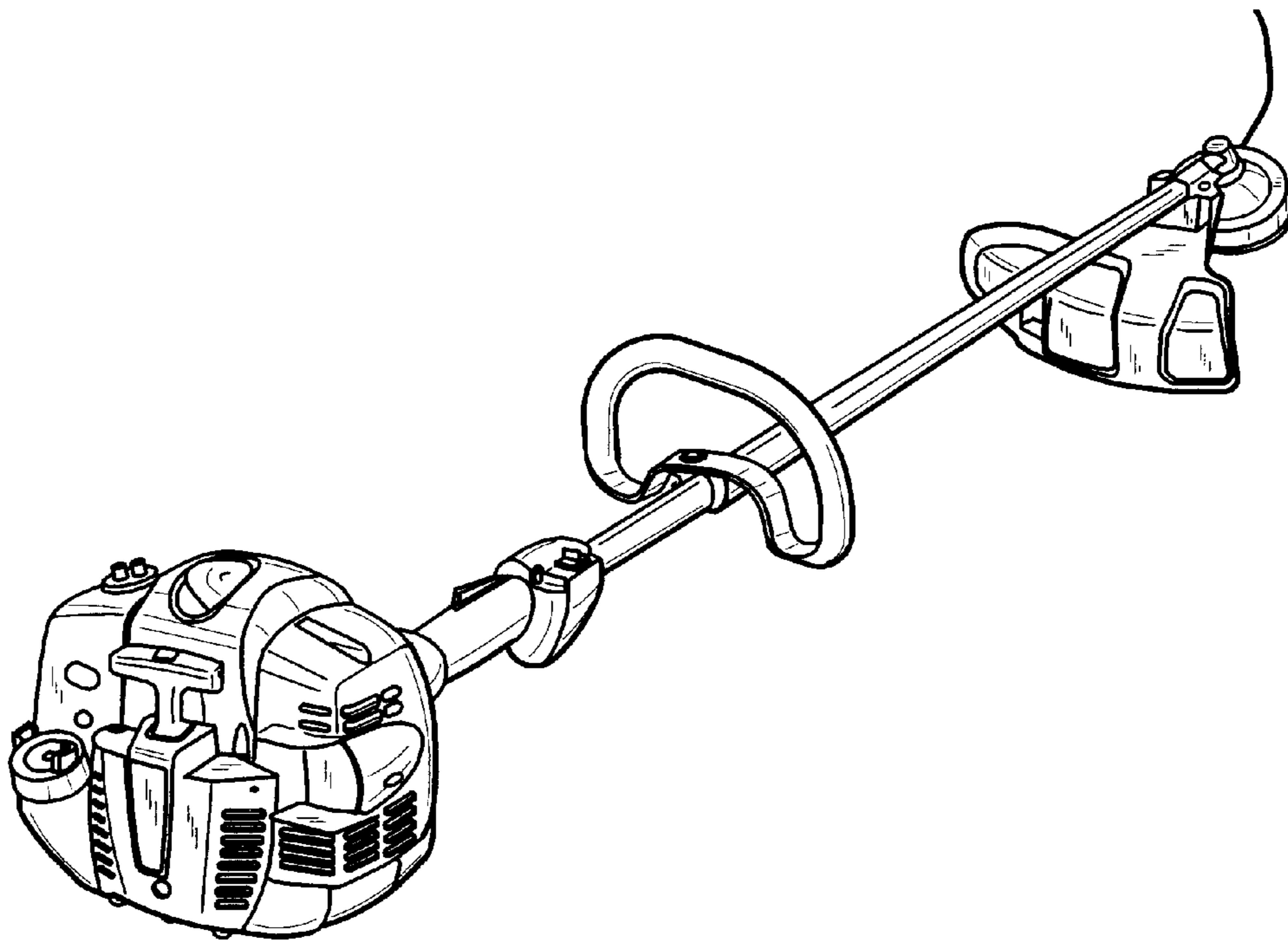
(57) **CLAIM**

The ornamental design for a trimmer and starting device, as shown and described.

DESCRIPTION

FIG. 1 is an enlarged rear view, showing our new trimmer. FIG. 2 is a rear perspective view of the trimmer thereof; FIG. 3 is a front perspective view of the trimmer thereof; FIG. 4 is a left side elevation view of the trimmer thereof; FIG. 5 is a top plan view of the trimmer thereof; FIG. 6 is a bottom plan view of the trimmer thereof; and, FIG. 7 is a right side elevation view of the trimmer thereof.

1 Claim, 4 Drawing Sheets



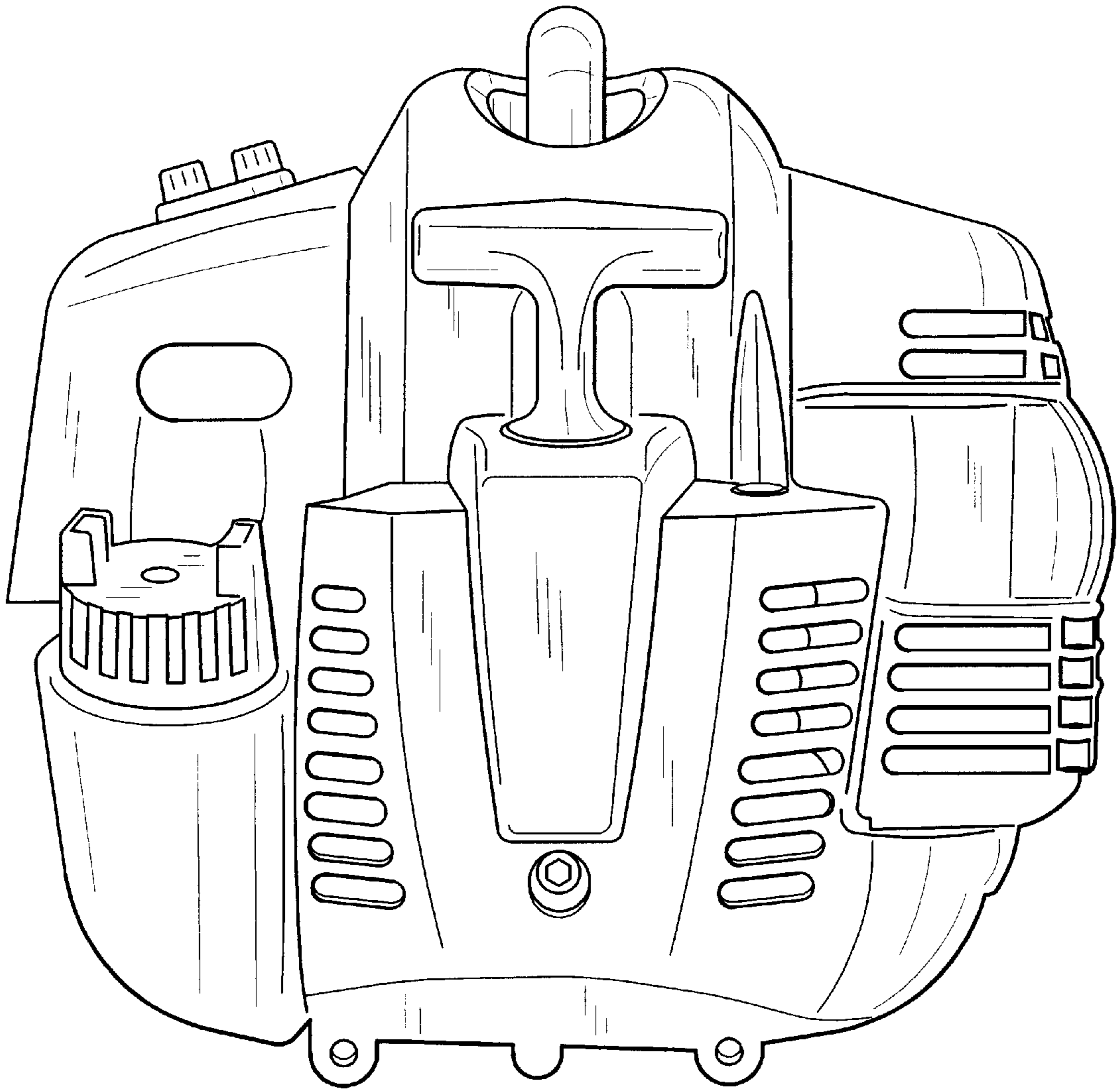


FIG. 1

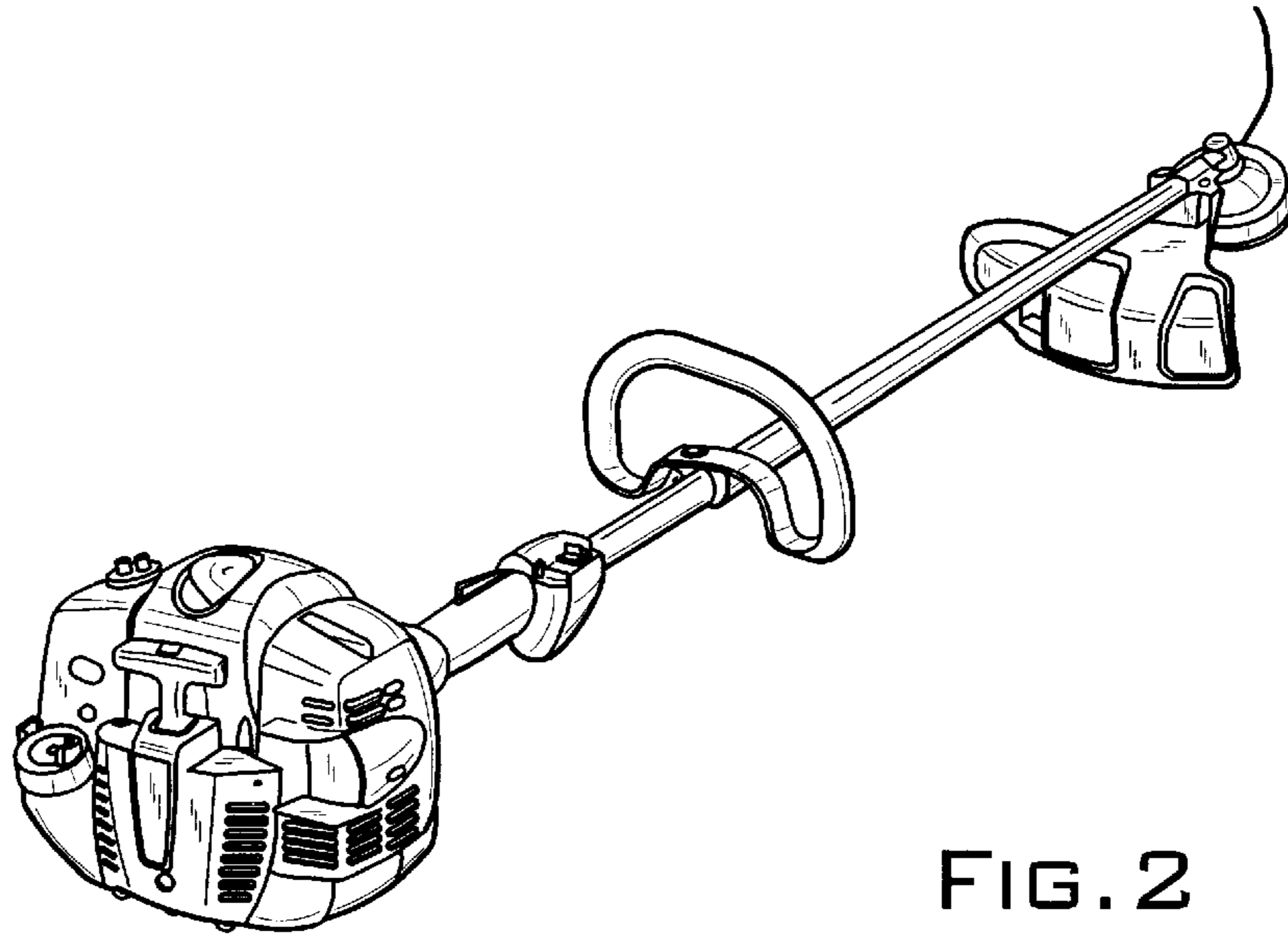


FIG. 2

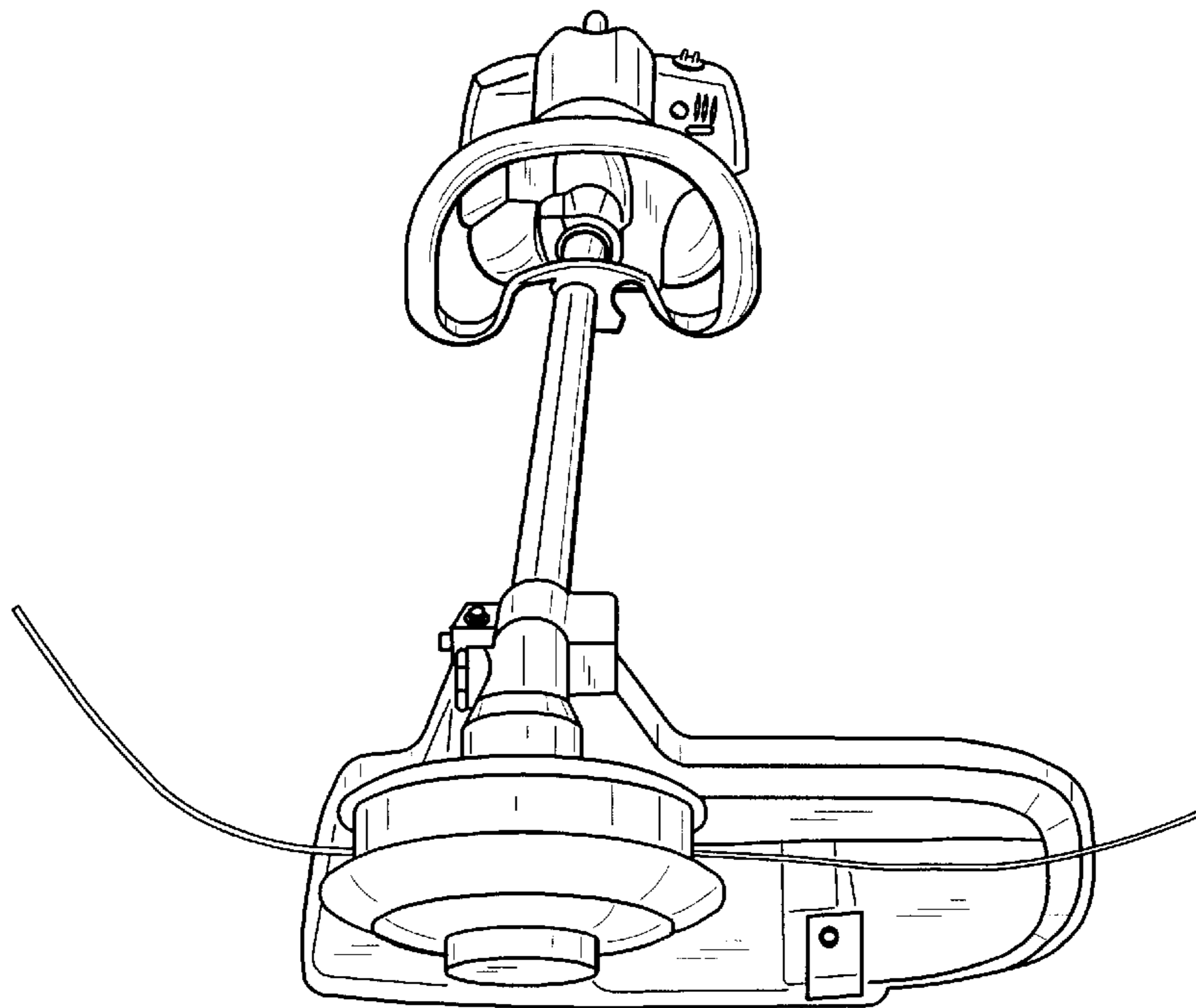


FIG. 3

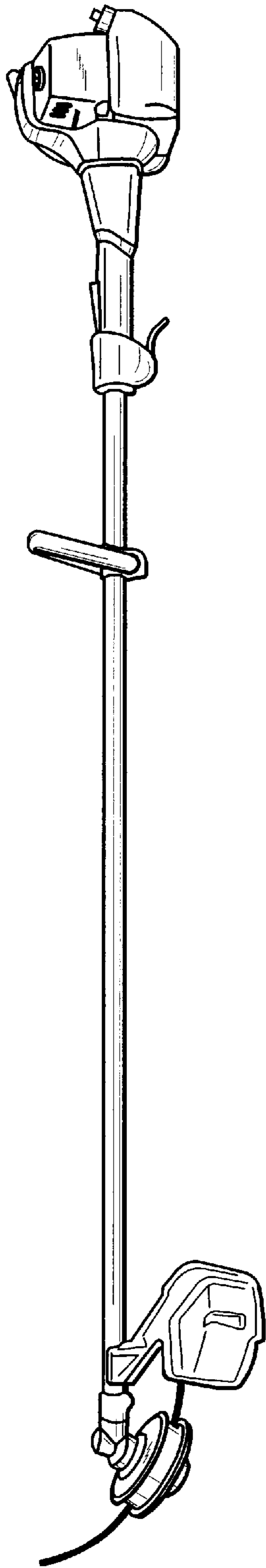


FIG. 4

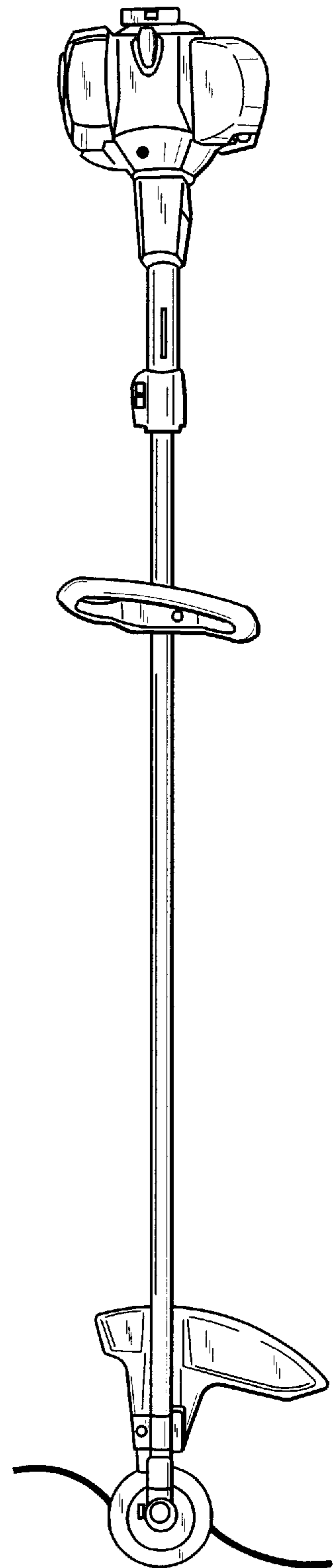


FIG. 5

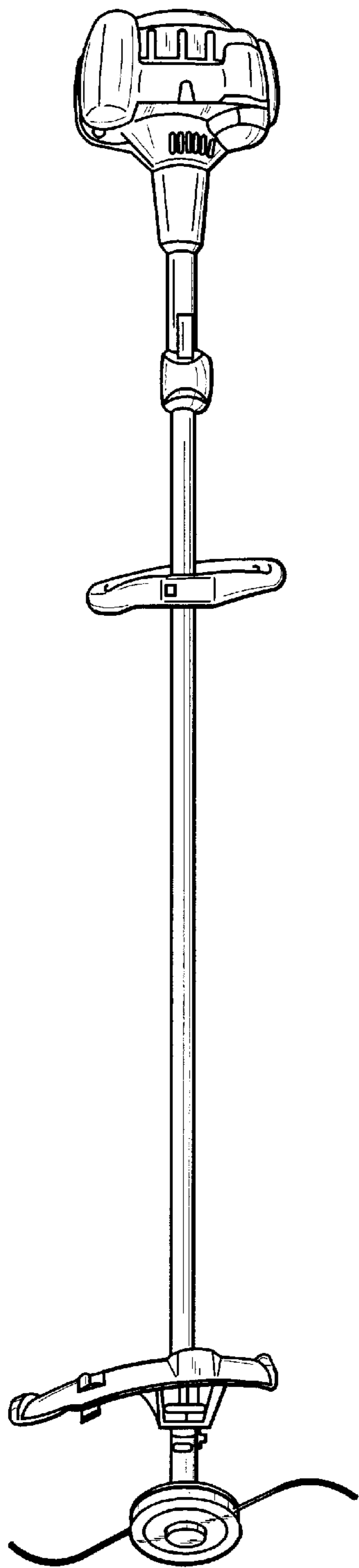


FIG. 6

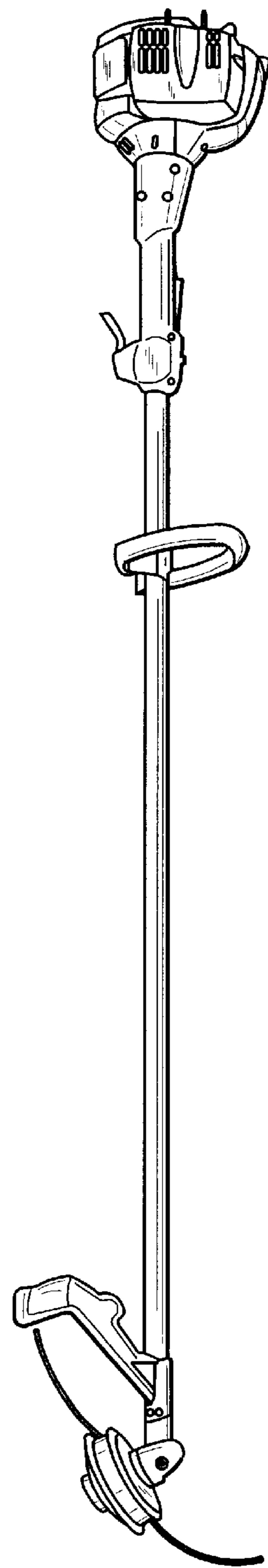


FIG. 7